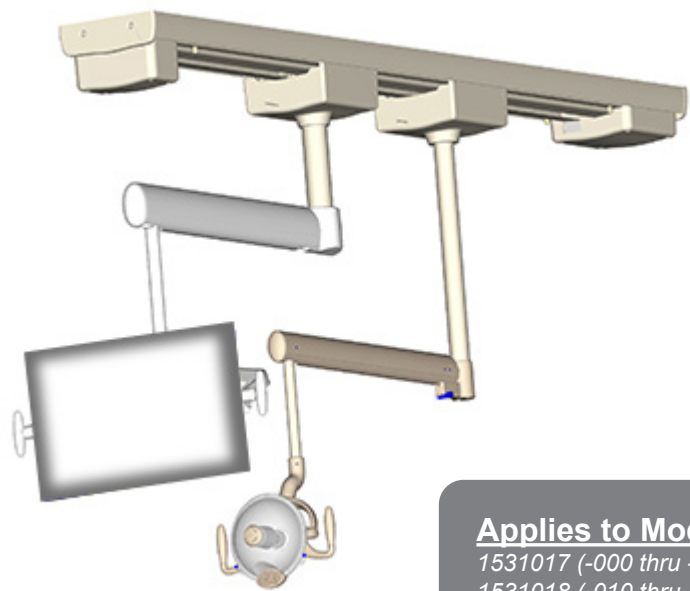


Quick Installation Guide

Use this Quick Installation Guide as a reference to install your Track Light with Monitor. Reference the corresponding Track Light with Monitor Installation Guide, for more details and dimensional specifications for the proper installation of this product.



Applies to Models:

- 1531017 (-000 thru -008)
- 1531018 (-010 thru -018)
- 153963 (-000 thru -008)
- 153964 (-010 thru -018)
- 153829 (000 thru - 008)
- 153906 (-010 thru - 018)
- 153830 (-000 thru -008)
- 153907 (-010 thru -018)



Equipment Alert

This installation requires at least two service technicians. Track with Light and Monitor weight (max.) is 157 Lbs. (71 kgs).

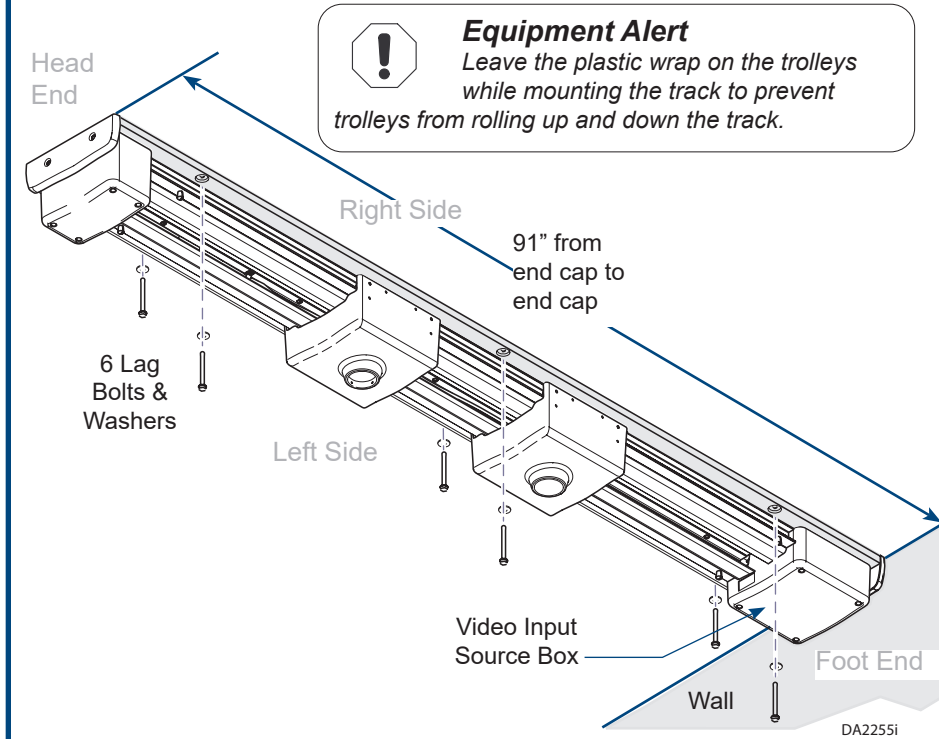
© 2017 Midmark Corp. | 60 Vista Drive Versailles, OH 45380 USA | 1.937.526.3662 | 1.800.643.6275 |



003-10003-00 Rev. AA9 (10/28/24)

Step 1 Mount the Track Assembly on the Ceiling.

Use all six lag bolts and washers provided, to mount the track assembly.



Equipment Alert
Leave the plastic wrap on the trolleys while mounting the track to prevent trolleys from rolling up and down the track.

Equipment Alert

Support for the assembly during installation is essential. The Track Monitor/Trolley Assembly weighs approximately 75 lbs. and needs to be fully supported at ceiling height until all 6 lag bolts are securely anchored into support studs.

Equipment Alert

Do not connect this product to a wall mounted light switch. If you must use a wall mounted light switch, it must be contained with a locked cover. Refer to installation manual for details.

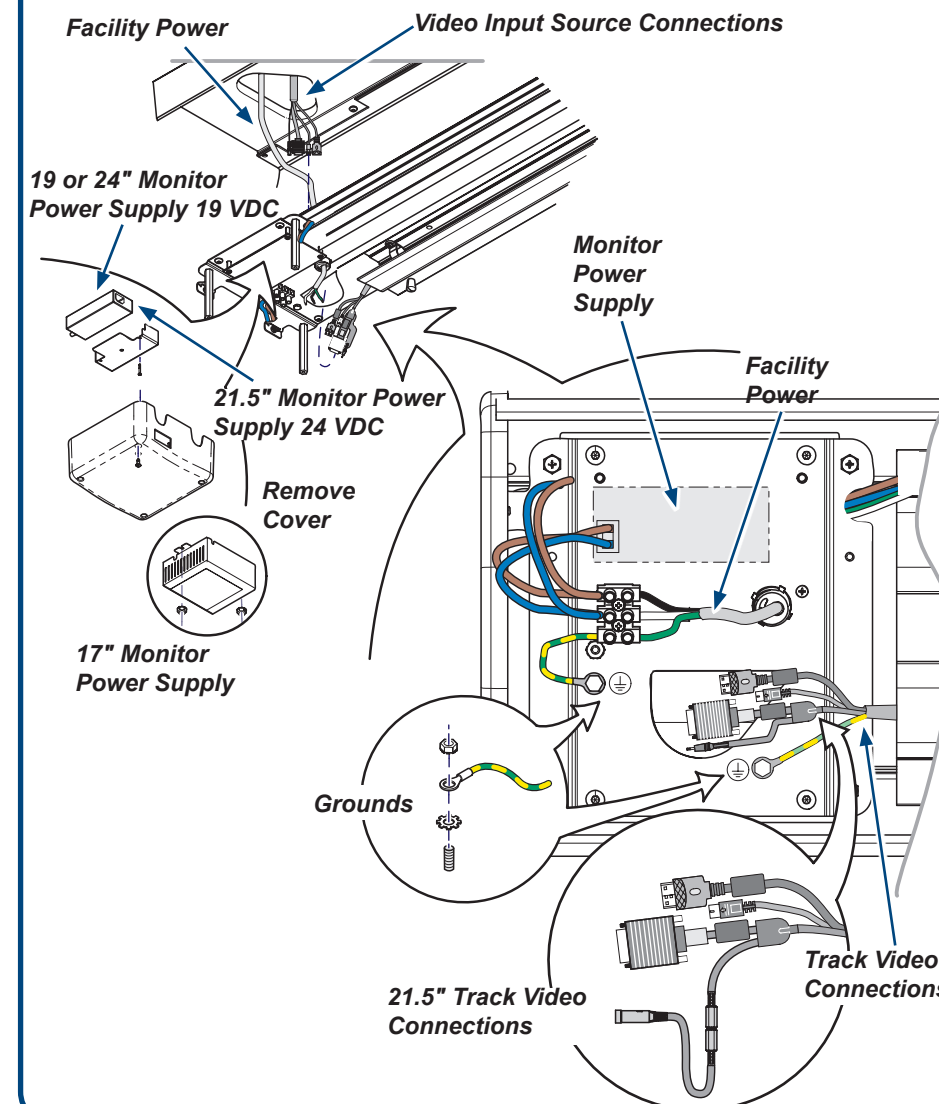
Step 2 Connect Power, Video Source Cables and the Monitor Power Supply at the foot end of the chair.



WARNING

Turn OFF the Facility power to this circuit at the Electrical Control Panel before wiring the power to this unit.

Remove the cover on the video input source box (four screws). Remove the power source supply (two nuts). Connect the monitor power supply, facility power and video source cables.



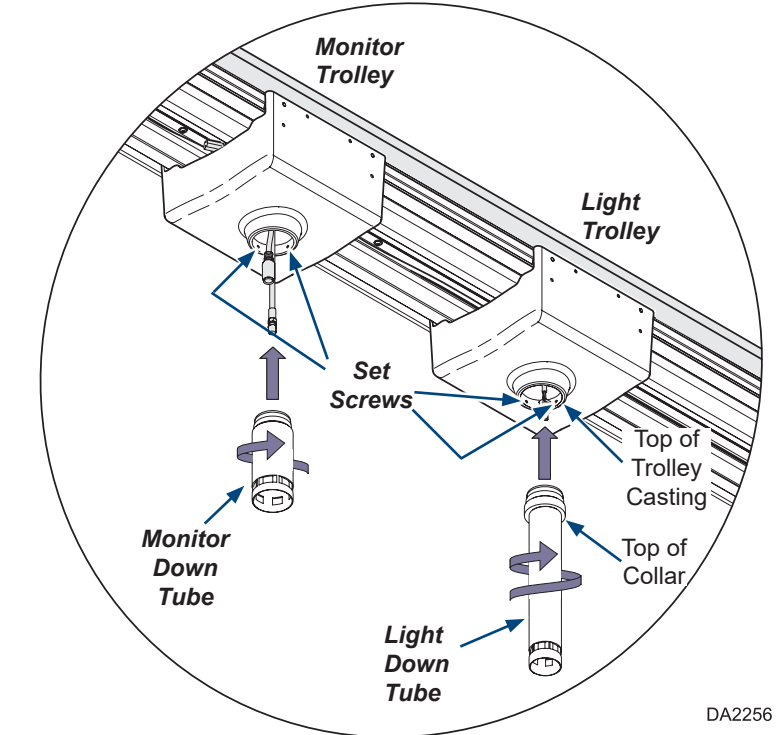
Step 3 Install the Light and Monitor Down Tubes.



WARNING

These are easily cross-threaded. Ensure down tubes are fully threaded in to castings and all set screws are installed in place and securely tightened. Failure to do so could allow monitor or light tubes to separate from trolley castings, resulting in serious personal injury to patient or staff.

Screw the Monitor Down Tube into the monitor trolley casting as far as it will go and secure by tightening the two lock patch set screws in the trolley casting. Check that tube will not unscrew after set screws are tightened.



Screw the Light Down Tube Weldment into the Light Trolley-Casting until tight, and the top of trolley casting and top of collar are at least flush. Then secure by tightening the two lock patch set screws in the Trolley Casting. Check that tube will not unscrew after set screws are tightened.

Before You Begin Checklist:

Check the dimensions of the room and be certain the unit you have will fit. The minimum room size the unit will fit into is 11 feet long by 10 feet wide with a minimum ceiling height of 8 feet.

Make certain the unit you have is the correct one for the room's ceiling height.

Check the back of this sheet to make sure you have the proper Audio Video (A/V) cables for this installation. You need to verify the facility source cables and may need to supply some of the connecting cables.

Use all 6 of the 3-1/2" long lag bolts and washers provided in the hardware pack, included with this unit, to mount the Backer Board/Track and Trolley Assembly to a ceiling structure that meets local building codes.

Reference the Installation Guide for more detailed information about each of the steps shown in this Quick Installation Guide.

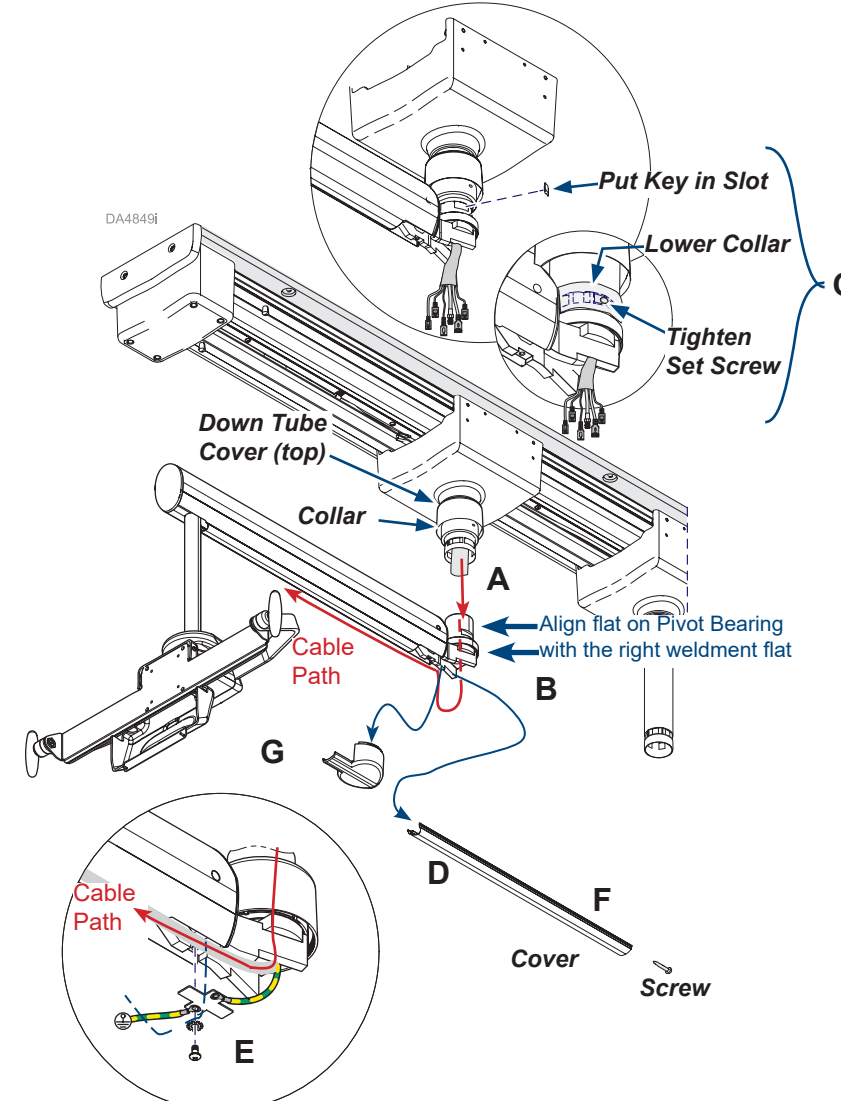


Equipment Alert

This installation requires at least two service technicians. Track with Light and Monitor weight (max.) is 157 Lbs. (71 kgs).

Step 4 Attach the Monitor Flex Arm to the Down Tube.

- A. Place Monitor Pivot Bearing into the Monitor Down Tube.
- B. Align the flat on the Pivot Bearing with the weldment flat.
- C. Insert Key into Slot, Lower Collar over it and tighten the Set Screw directly over Key in the Slot.
- D. Remove screw slide cover off so you can route the cable through arm to the monitor mount.
- E. Remove Bracket (2 screws) and install Ground Wire in the Flex Arm.
- F. Slide Arm Cover in place, install screw.
- G. Lower Down Tube Cover and install mating Lower Cover onto it.

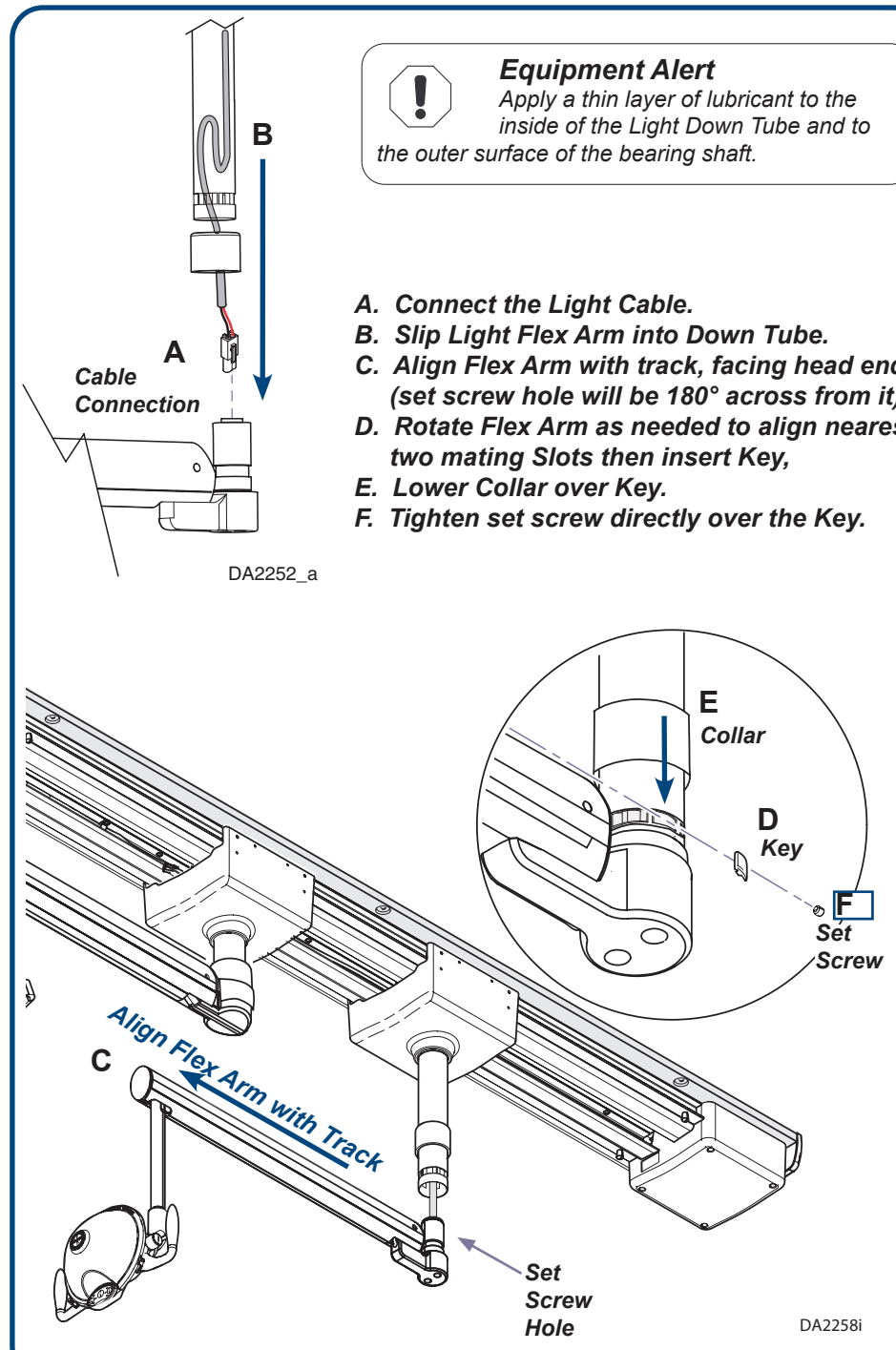


Step 5 Attach the Light Flex Arm to the Down Tube.



Equipment Alert

Apply a thin layer of lubricant to the inside of the Light Down Tube and to the outer surface of the bearing shaft.



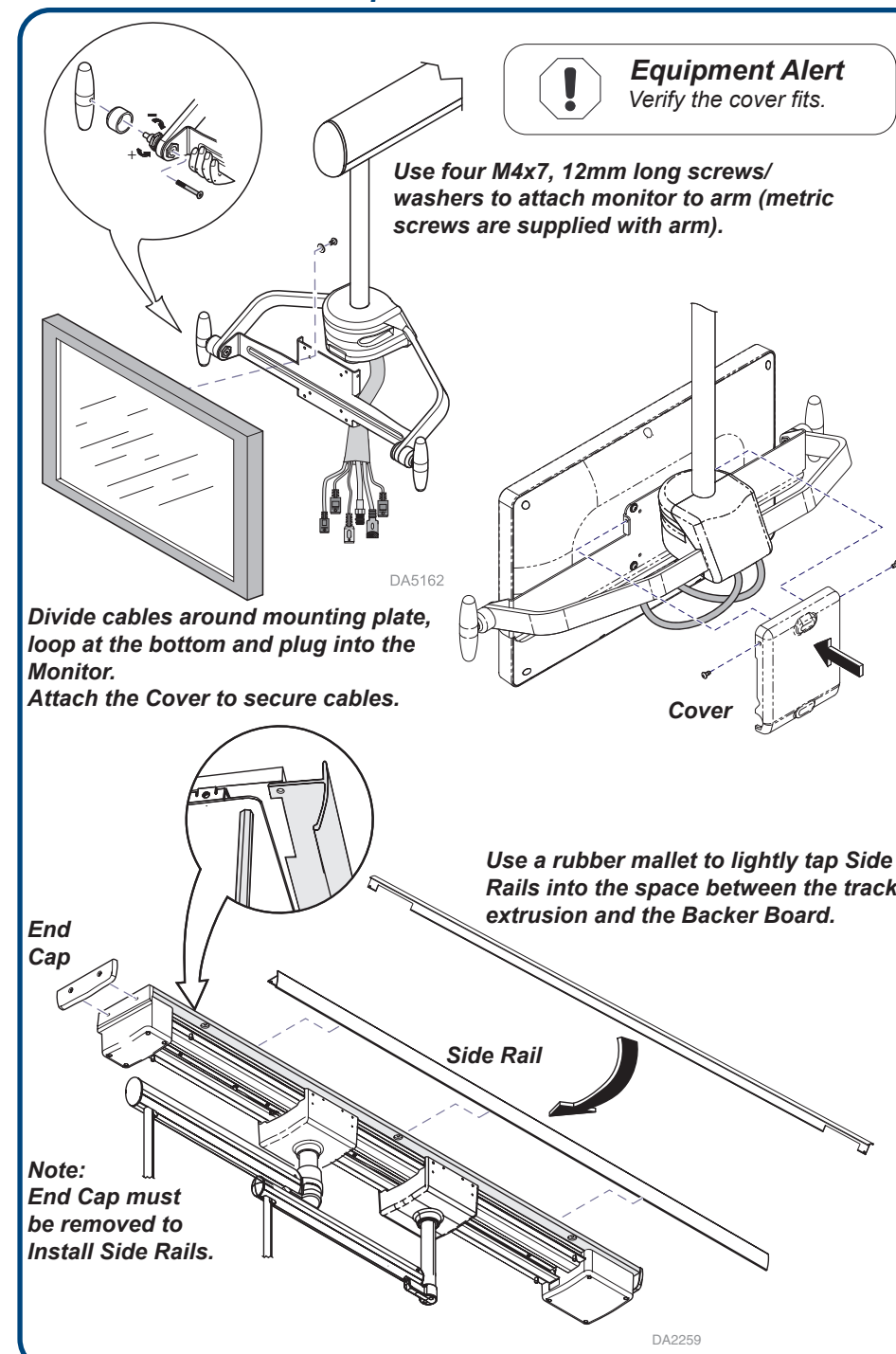
- A. Connect the Light Cable.
- B. Slip Light Flex Arm into Down Tube.
- C. Align Flex Arm with track, facing head end (set screw hole will be 180° across from it).
- D. Rotate Flex Arm as needed to align nearest two mating Slots then insert Key.
- E. Lower Collar over Key.
- F. Tighten set screw directly over the Key.

Step 6 Mount Monitor on the Mount Arm Assembly and plug in cables. Install cover. Install Side Rails and End Cap on Track.



Equipment Alert

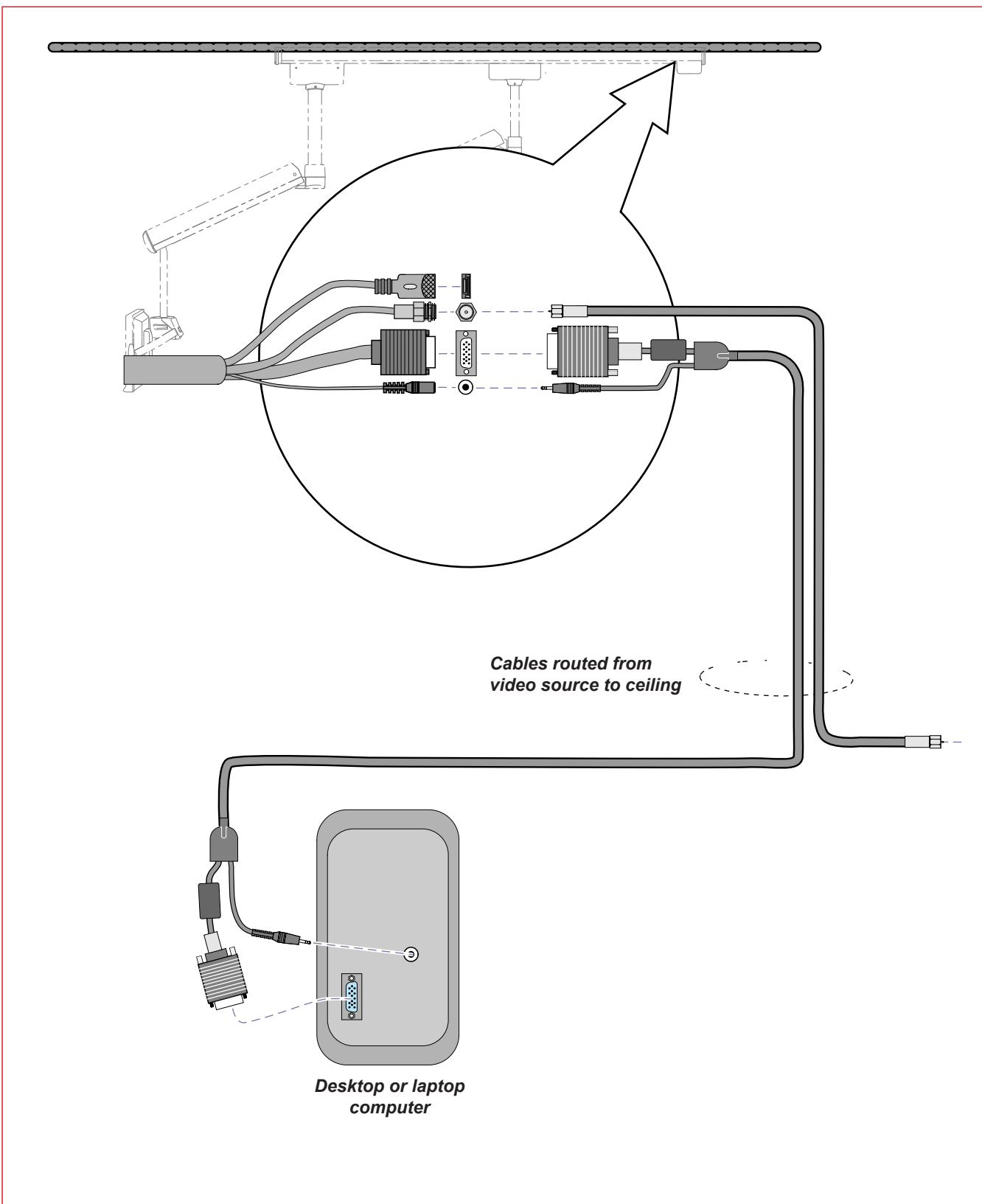
Verify the cover fits.



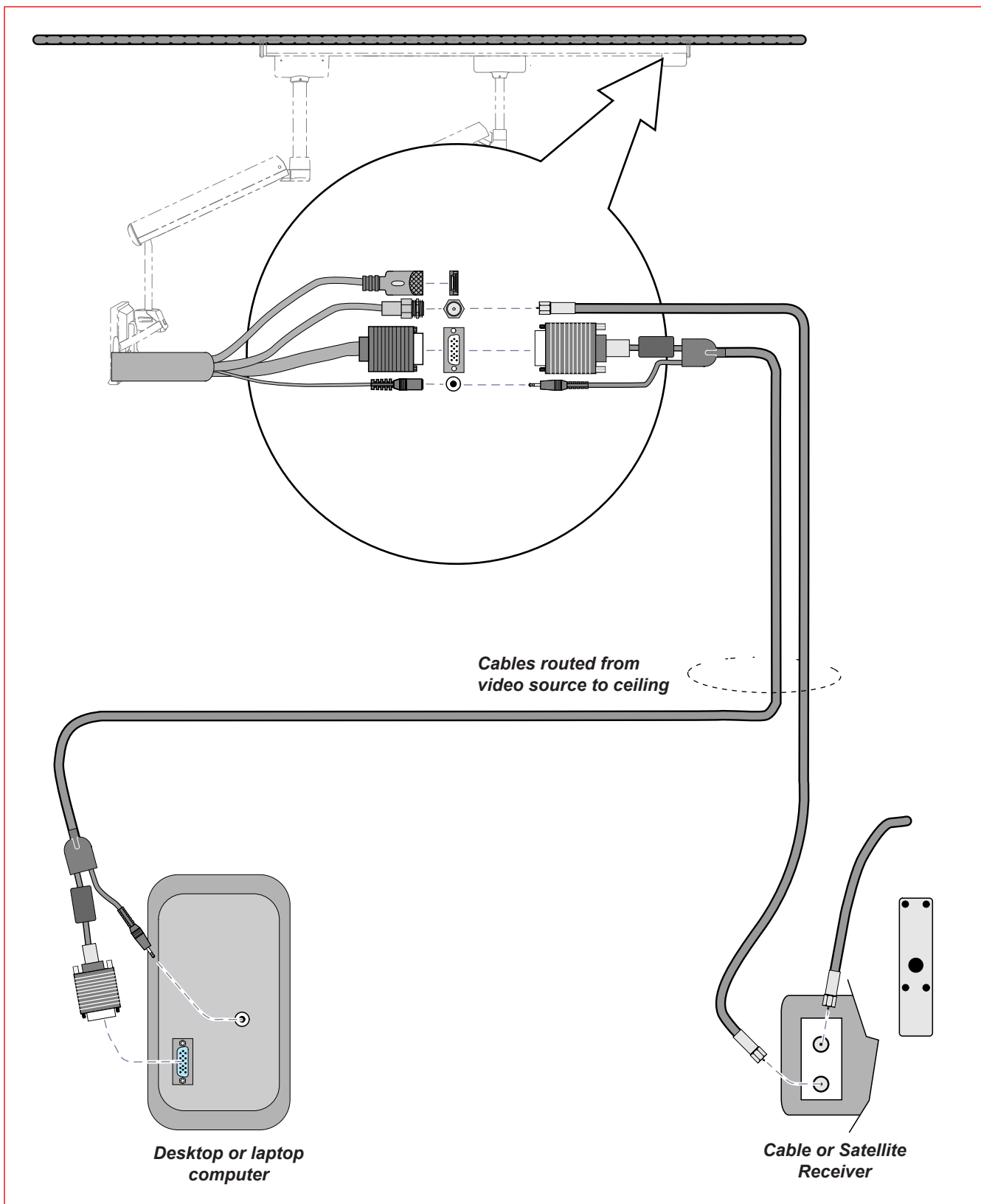
Audio / Video Connections

Note
Use only single cables that fit the total installation lengths required. Combining smaller cables will result in poor picture quality.

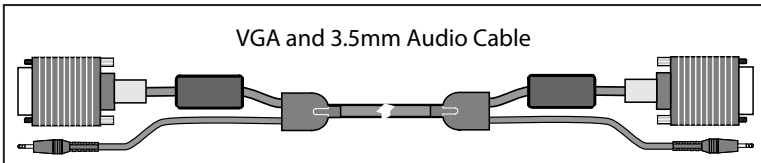
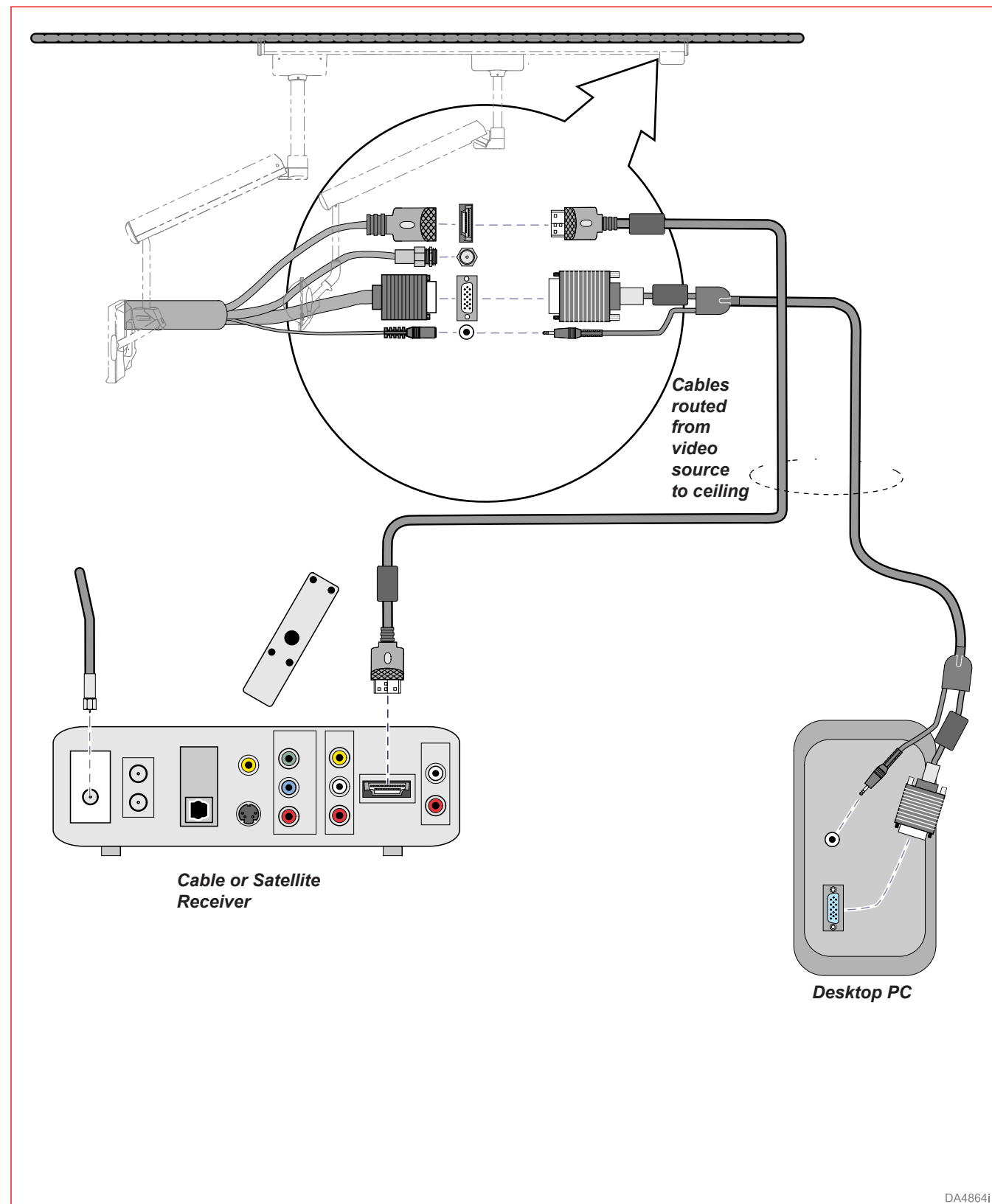
Basic Setup - Antenna/Cable COAX / DVD Player / Desktop PC



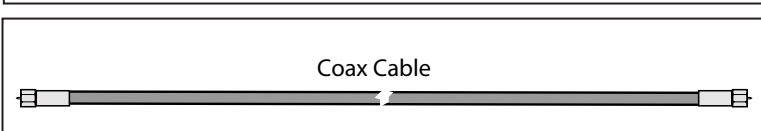
Digital Receiver Setup - Digital Receiver / DVD Player / Desktop PC



HD Receiver Setup - HD Receiver / DVD Player / Desktop PC

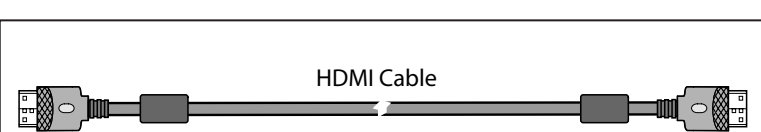


- VGA Cable**
- HD15 male-to-male UXGA cable
 - Maximum Length 50 feet
 - Double shielded cable construction
 - 3 internal coax lines for red, green, and blue
 - Ferrites to protect against EMI/RFI on each end
- 3.5mm Audio Cable (PC audio)**
- Maximum length 50 feet
 - Single shielded cable construction



- Coax Cable**
- RG6 - male-to-male cable
 - Triple shielded cable construction

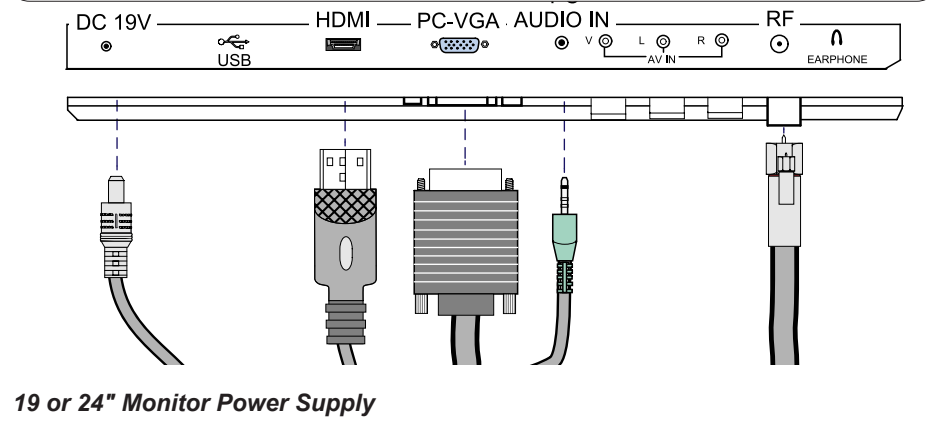
Minimum Cable Specifications for Optimal Output



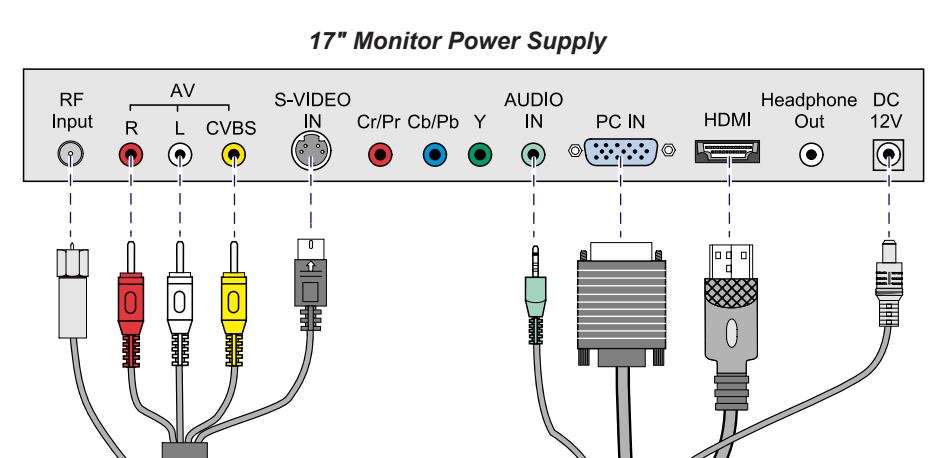
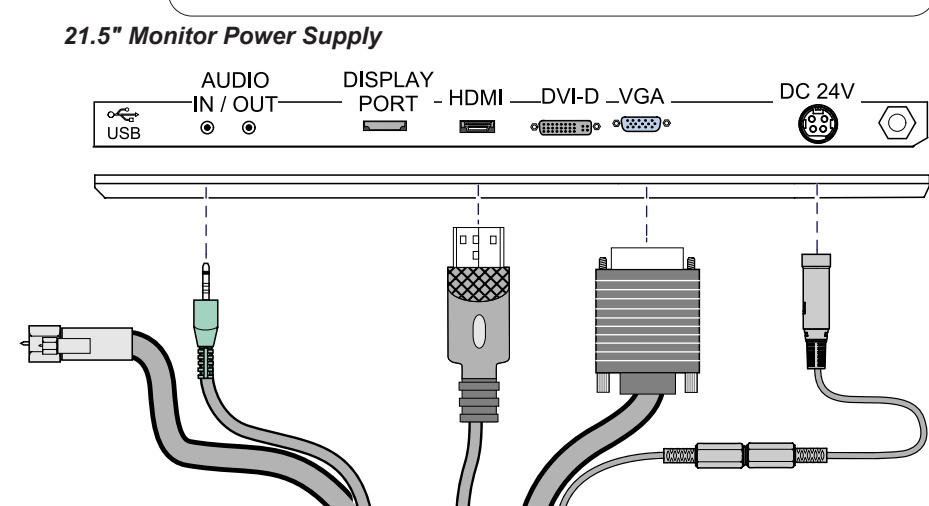
- HDMI Cable**
- HDMI Type A male-to-male cable
 - HDMI 1.2 or 1.3 compatible
 - Maximum length 50 feet
 - Gold plated contacts (shell and pins)
 - Triple shielded cable construction
 - 24 AWG wire used for twisted pairs
 - Ferrites to protect against EMI/RFI on each end

Monitor Connections

Equipment Alert
Always connect as shown. Do not leave any visible cables disconnected.



Equipment Alert
RF connection is not available, this cord will not be used.



Equipment Alert
This document addresses the Midmark monitor. For non-Midmark monitors, refer to that product's manual to ensure equipment functions safely including proper input voltage and is in proper working condition before use.

Install monitor cover with all cables placed inside.