

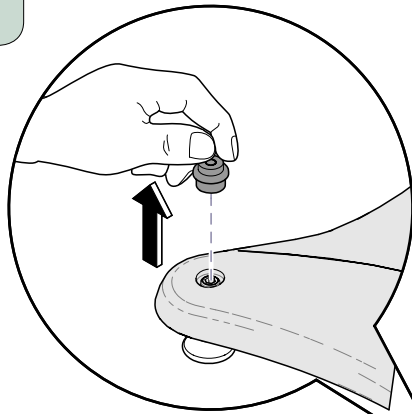
Bubble level replacement plug kit instruction [002-10253-00]

Applies to Model:
625 (-004)

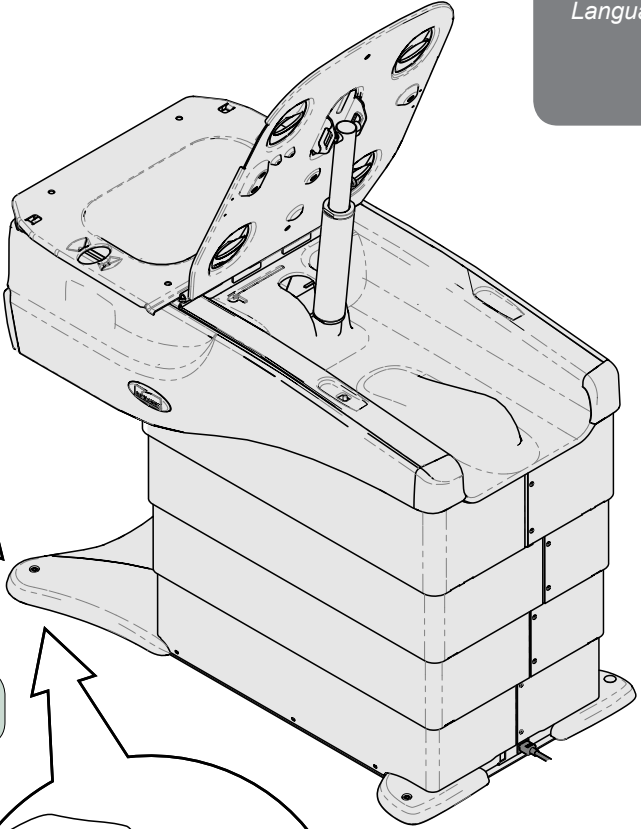
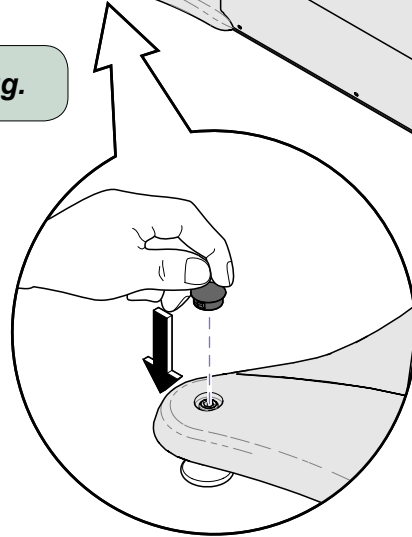
Special Tools:
none

Language of origin: English

Step 1: Remove bubble level on table base.



Step 2: Replace bubble level with hole plug.



Step 3: Store bubble level in a safe and secure place.

MA10537i