

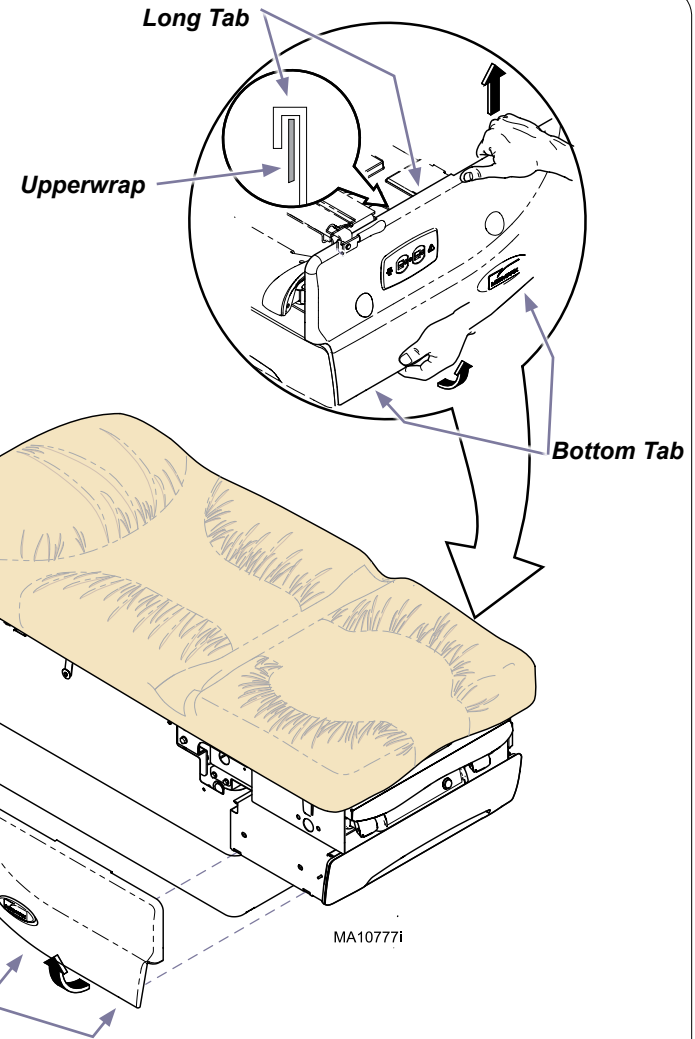
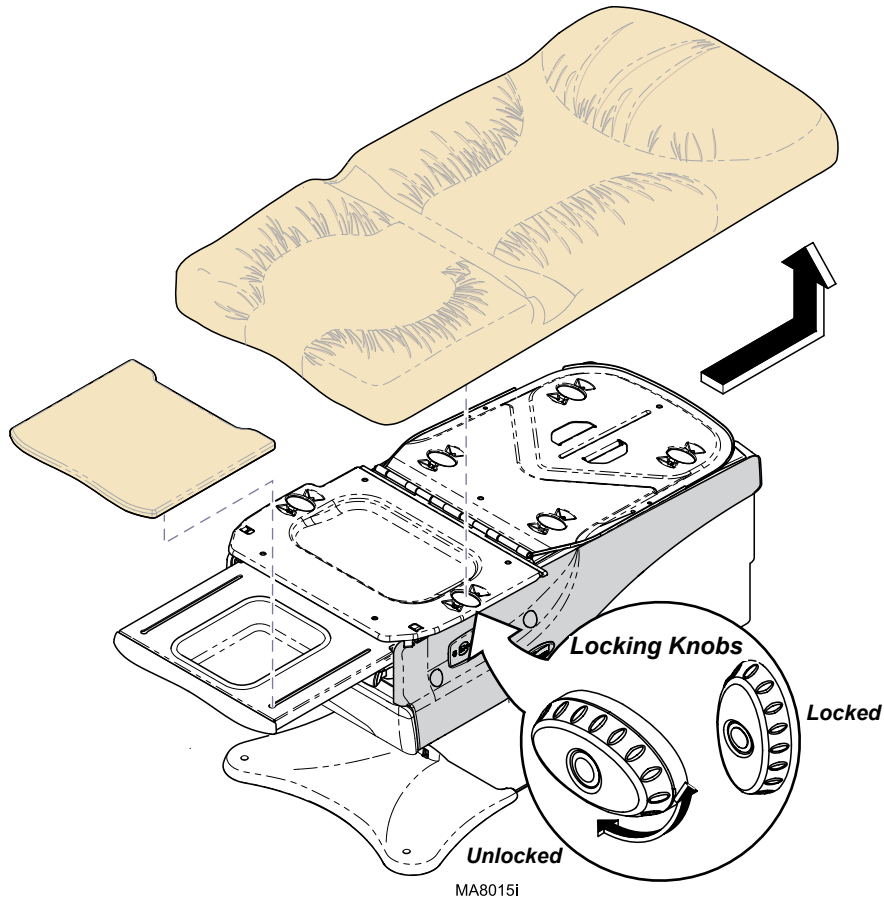
Intended Use:

To fix stiff footrest shelf issues.

Step 1: Remove Upholstered Top & Footrest Pad.

- A) Rotate all locking knobs to unlocked position.
- B) Slide upholstery up to remove from back support plate.
- C) Pull up and remove footrest pad.

Note: There are four locking knobs under back section, and two locking knobs under seat section.



Step 2: Remove Side Cladding.

- A) Press two tabs.
- B) Pull bottom of cladding away from table.
- C) Lift cladding up to remove.

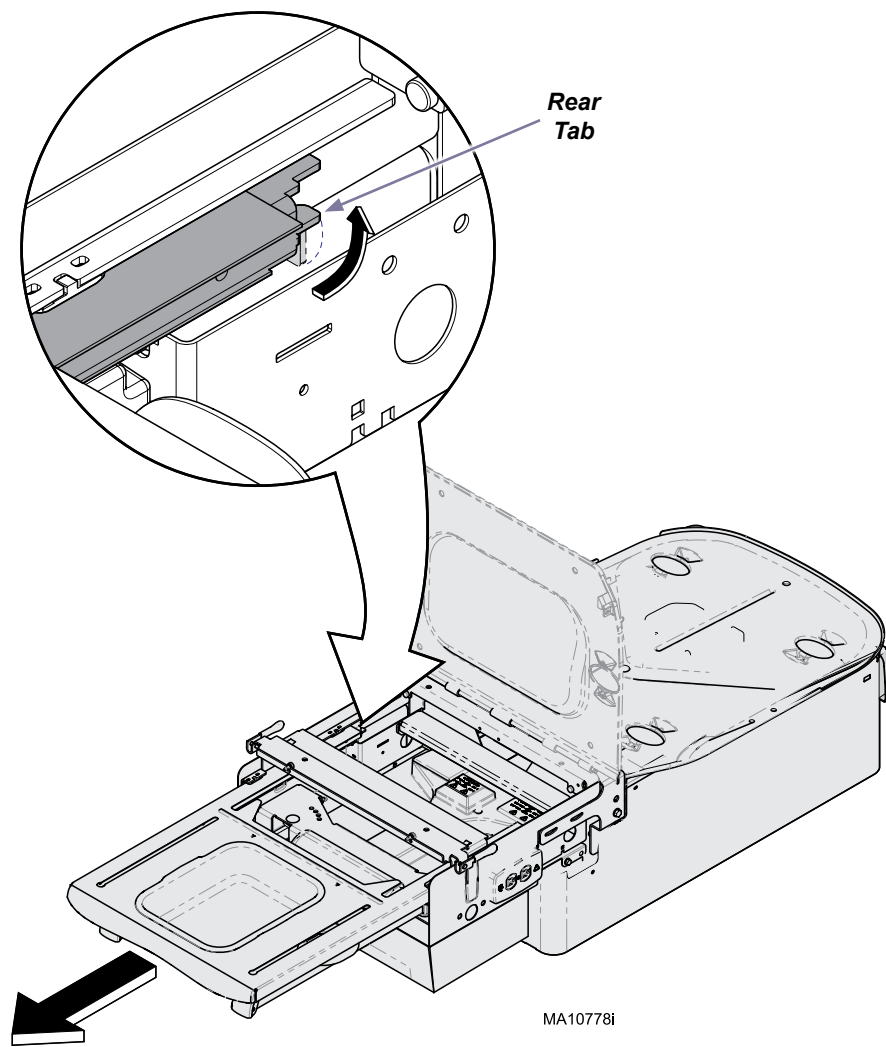
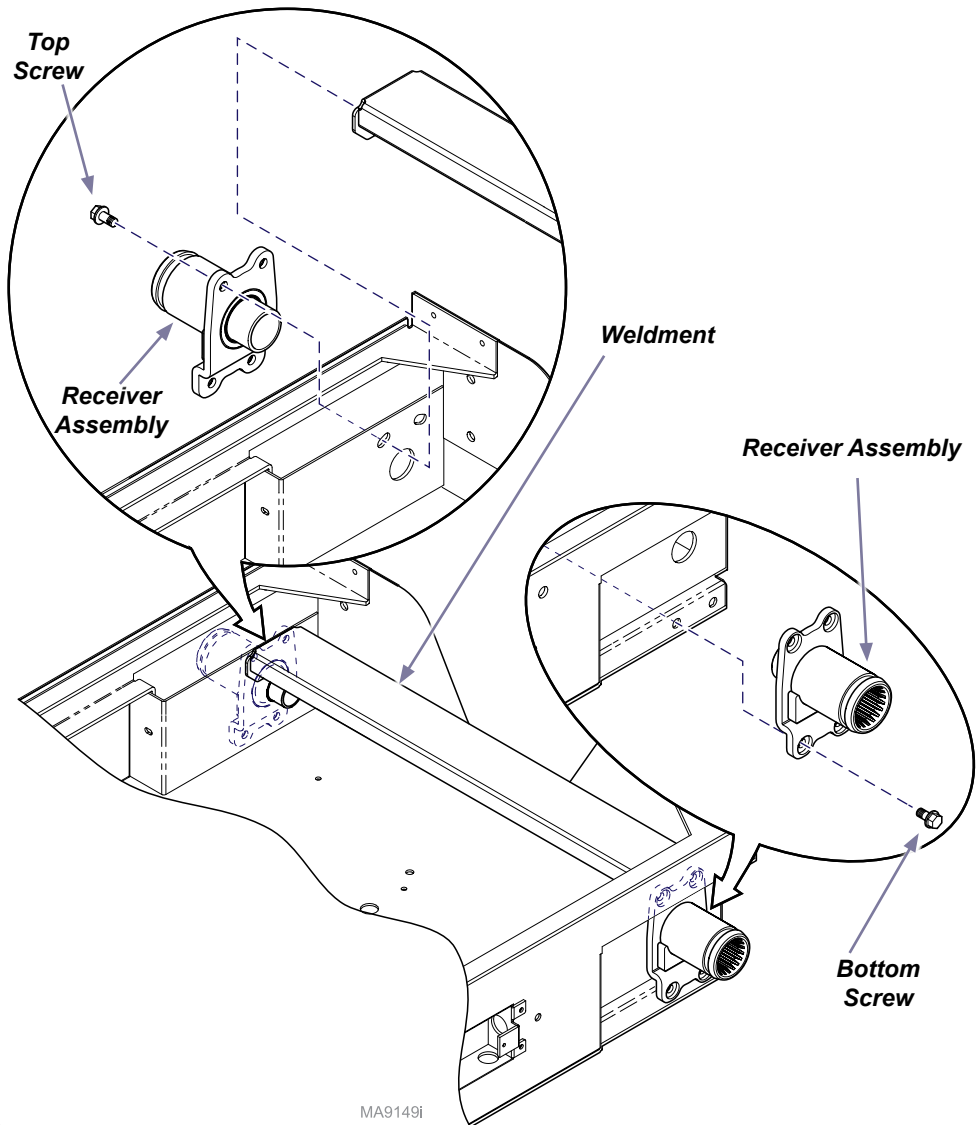
Note: 625 shown

Step 3: Remove Receiver Assemblies & Weldment if Equipped.

A) Remove top (locking) and bottom (thread forming) screws.

B) Remove Receiver Assemblies and Weldment.

Note: Keep screw styles separate so correct screws are installed to the top and bottom of the receiver assembly during reinstallation.



Step 4: Bend Rear Tabs Up and Remove Footrest.

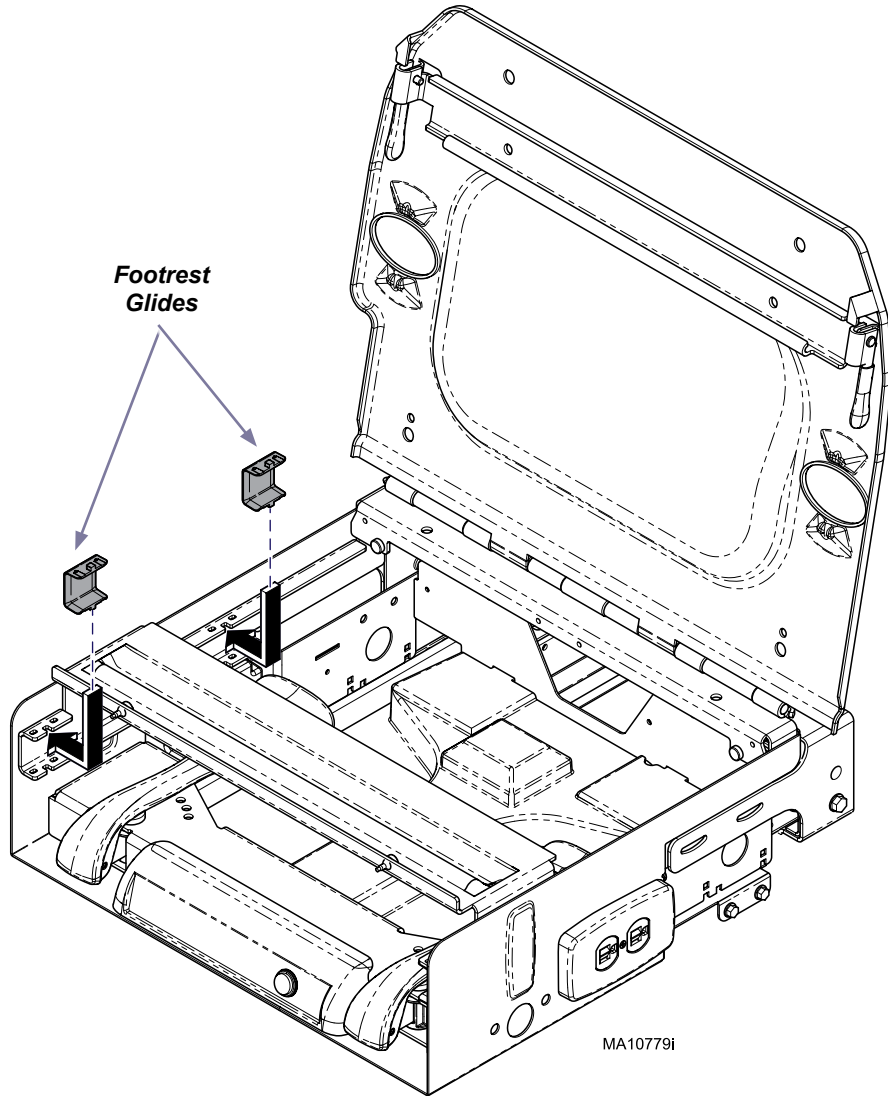
A) Slide out Footrest and locate Rear Tabs.

B) Use vice grips or channel locks to bend tab straight. Repeat on opposite side.

C) Slide Footrest out and remove.

Step 5: Remove/Replace Footrest Glides.

- A) Press down on center tab of glide and remove. Repeat for all four glides.
- B) Insert four new glides.



Step 6: Install Footrest, Bend Down Tab and Reassemble. (Reverse Order)

- A) Install Footrest and bend tabs Down 90° into original position.
- B) Install Receiver Assemblies and Weldment if equipped.
- C) Install Side Cladding.
- B) Install Upholstered Top & Footrest Pad.

Note: Check that tabs engage bumper stops when footrest is pulled out to full extension.

