

## CABLE MANAGEMENT

After the technology has been installed, ensure there is enough slack in the cables from peripherals.

### STEP 1

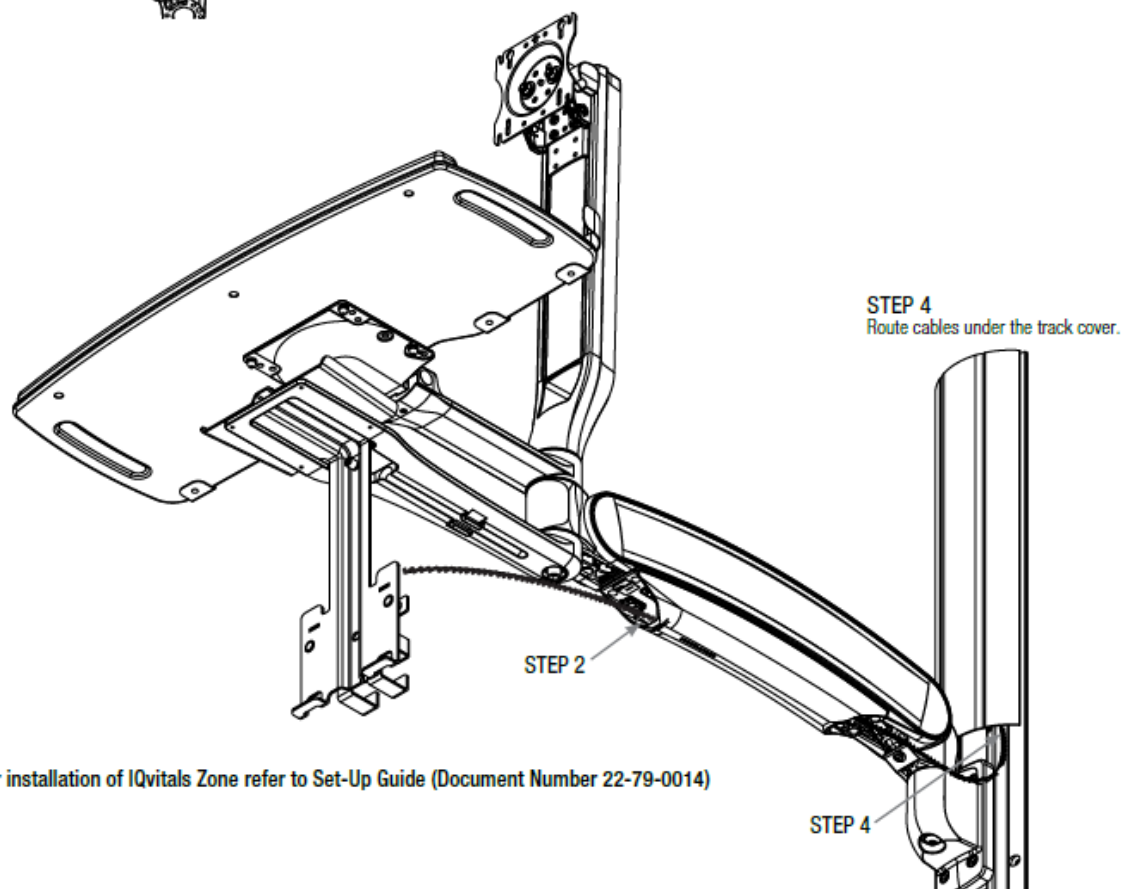
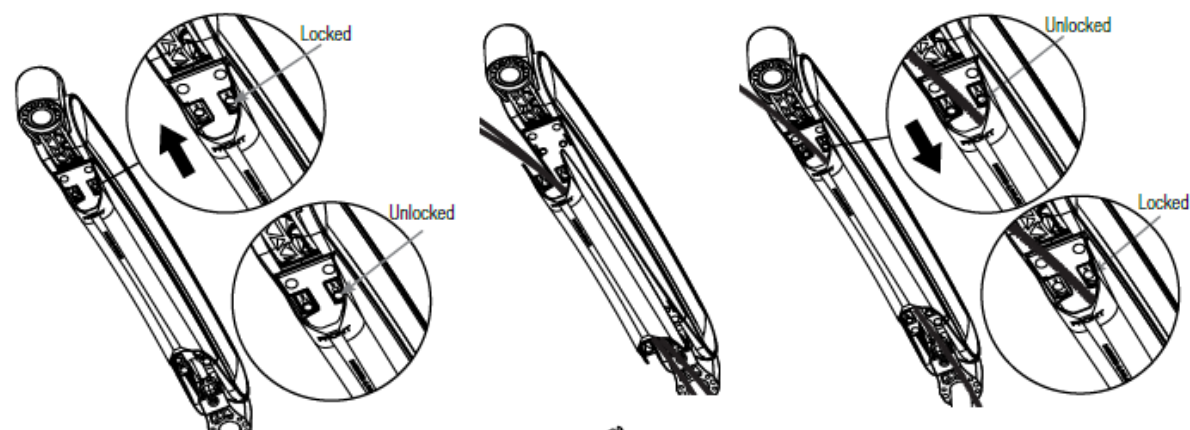
Slide the cable management tray forward to disengage the tray from the bottom of the arm.

### STEP 2

Lay all cables (e.g. power, and/or USB cable, see Device Installation section) into the cable management tray.

### STEP 3

Re-attach the cable tray in the reverse order in Step 1 (note orientation). If desired, tighten the four screws to lock the tray to the arm. Do not over tighten.



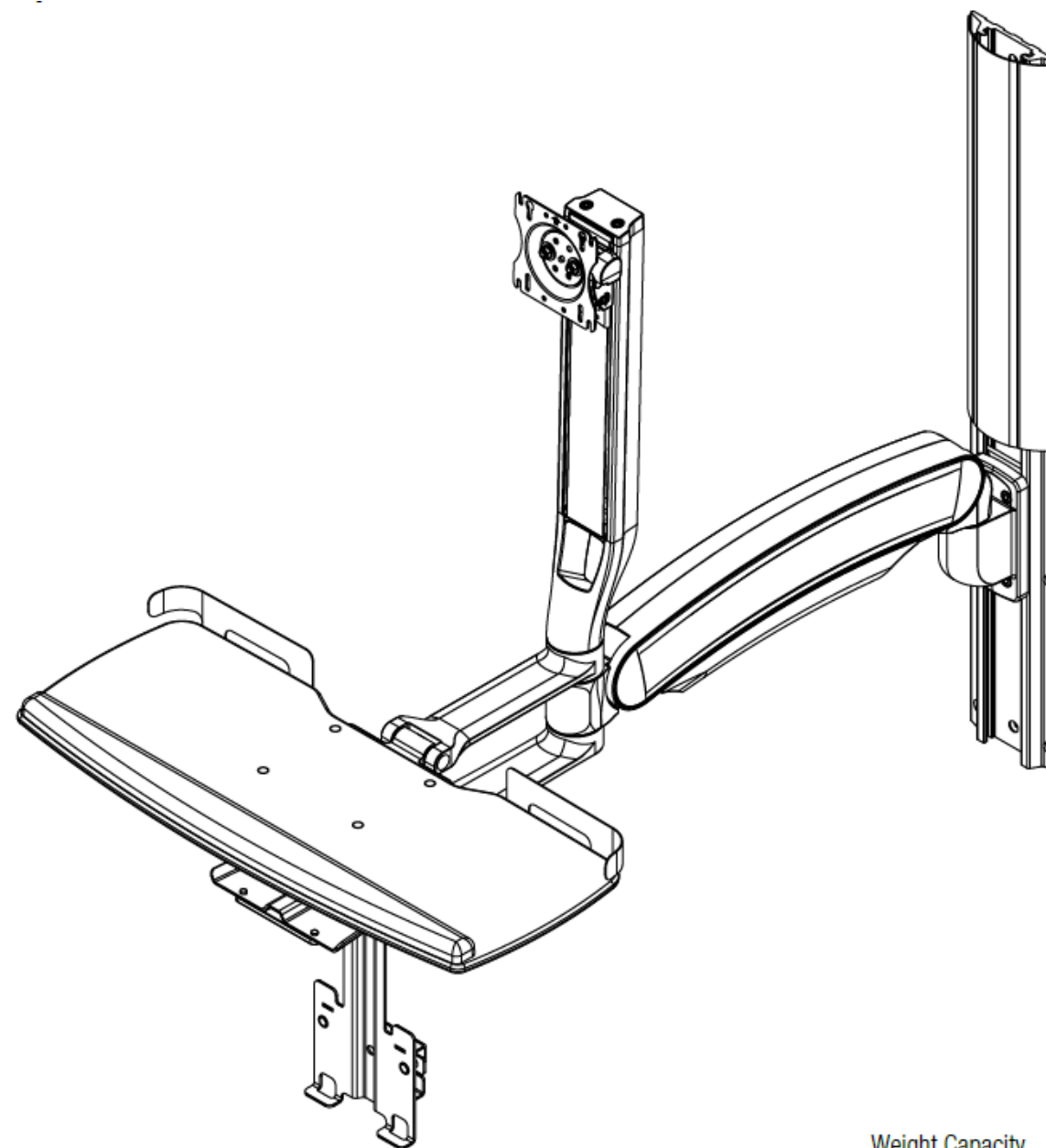
For installation of IQvitals Zone refer to Set-Up Guide (Document Number 22-79-0014)

# Integrated Wall Mount

For Midmark IQvitals® Zone™

P/N 2-200-0086

## Setup Guide



Weight Capacity  
16-31 lbs.



Manufactured for Midmark Corporation  
1001 Asbury Drive  
Buffalo Grove, IL 60089 U.S.A  
1-844-856-1230 #2  
midmark.com

For questions regarding installation,  
please call 1-844-856-1230 #2

003-10236-00 Rev. AA1



	Manufacturer
	Date of manufacture
	Catalogue number
	Warning

003-10236-00 Rev. AA1

## TABLE OF CONTENTS

Tools Required / Installation Warnings / Disclaimer / Safety Warning / Adjustment Notification .....	3
Mounting Height .....	4
How to Install Toggles .....	5
Track Cover Sizing .....	5
Mounting Surface .....	6 - 7
Pivot Limiter .....	8
Main Arm Installation .....	9
Tray Installation .....	9
Counterbalance the Arm.....	10
Tension Adjustment of the Monitor .....	10
Tray Leveling Adjustments.....	11
Monitor Tilt Tension Adjustment.....	11
Cable Management.....	12

## LEVELING ADJUSTMENTS (Left to Right)

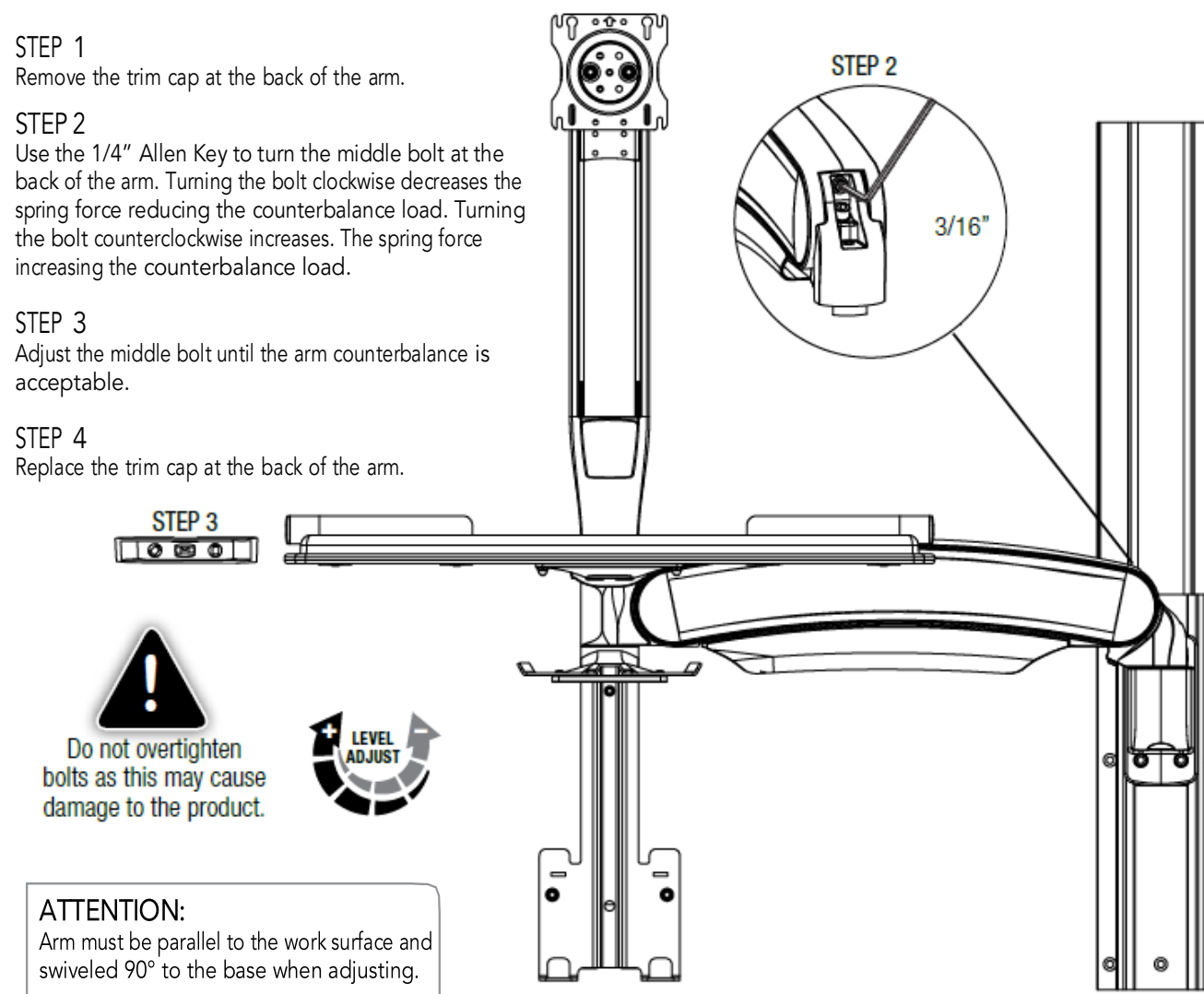
Adjustment is to be made after all technology has been installed.

**STEP 1**  
Remove the trim cap at the back of the arm.

**STEP 2**  
Use the 1/4" Allen Key to turn the middle bolt at the back of the arm. Turning the bolt clockwise decreases the spring force reducing the counterbalance load. Turning the bolt counterclockwise increases the spring force increasing the counterbalance load.

**STEP 3**  
Adjust the middle bolt until the arm counterbalance is acceptable.

**STEP 4**  
Replace the trim cap at the back of the arm.

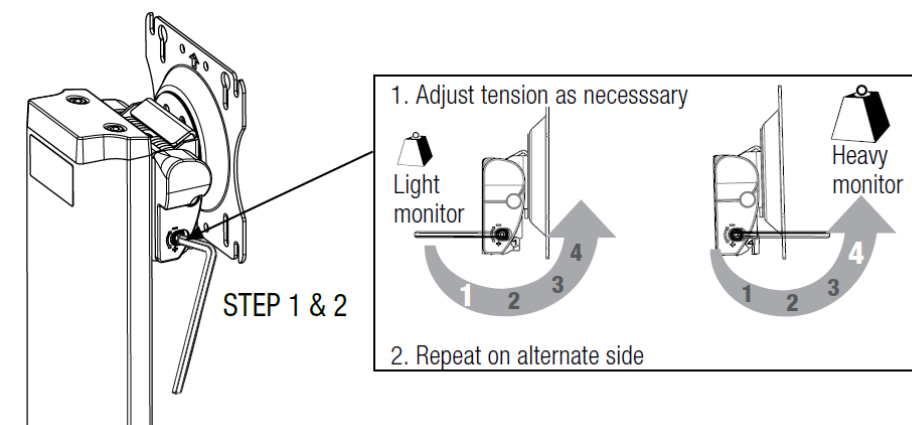


## MONITOR TILT TENSION ADJUSTMENT

**STEP 1**  
Use the 3/16" Allen Key to remove the two bolts securing the plastic top cap of the Float Tower. Remove cap.

**STEP 2**  
Remove and install pins as necessary per the drawing while holding the monitor in the highest position. If pins are not needed, keep them inserted in the bracket hole for possible future use.

**STEP 3**  
Once tension is acceptable, replace the cap and secure with the screws



## COUNTERBALANCE THE ARM

Once IQvitals Zone, computer monitor and keyboard are installed, perform the following adjustments to ensure the arm raises and lowers as required and does not freely drift up or down.

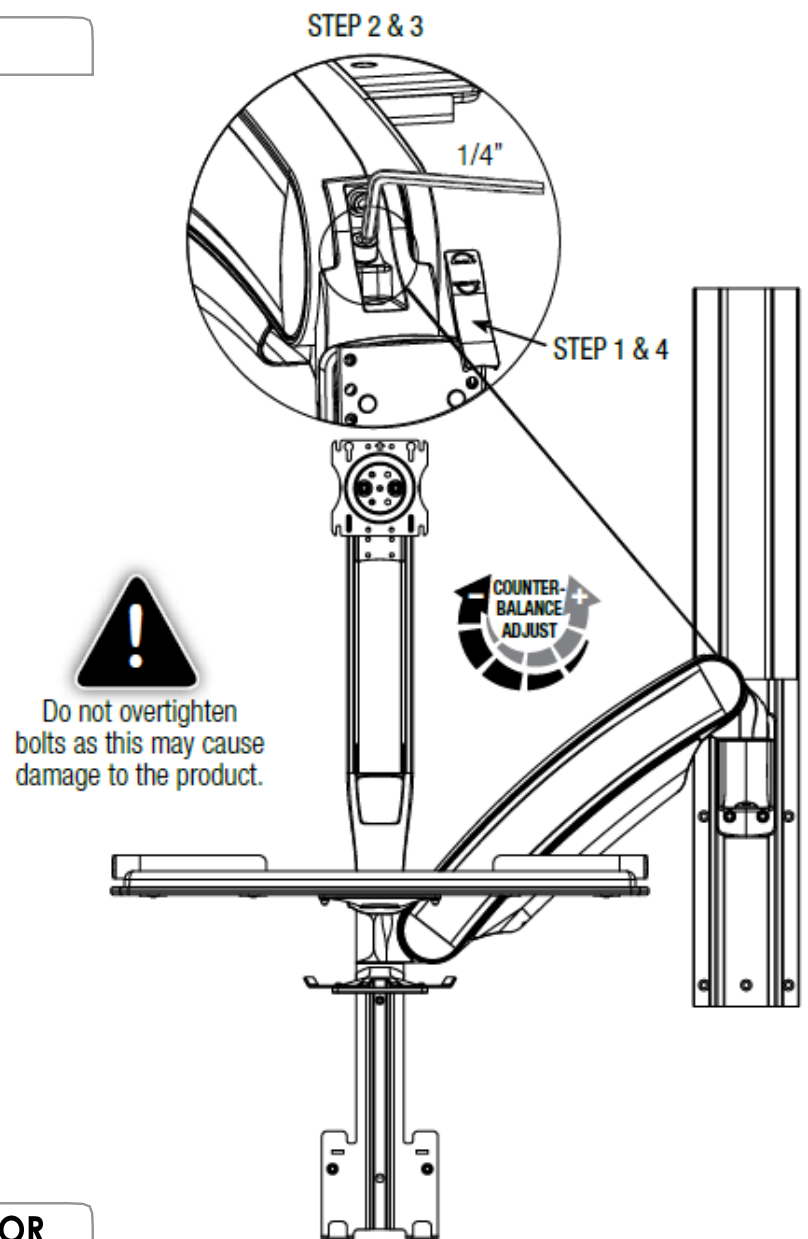
**STEP 1**  
Remove the trim cap at the back of the arm.

**STEP 2**  
Use the 1/4" Allen Key to turn the middle bolt at the back of the arm. Turning the bolt clockwise decreases the spring force reducing the counterbalance load. Turning the bolt counterclockwise increases the spring force increasing the counterbalance load.

**STEP 3**  
Adjust the middle bolt until the arm counterbalance is acceptable.

**STEP 4**  
Replace the trim cap at the back of the arm.

**ATTENTION:**  
Arm must be held in the downward position while making adjustments.

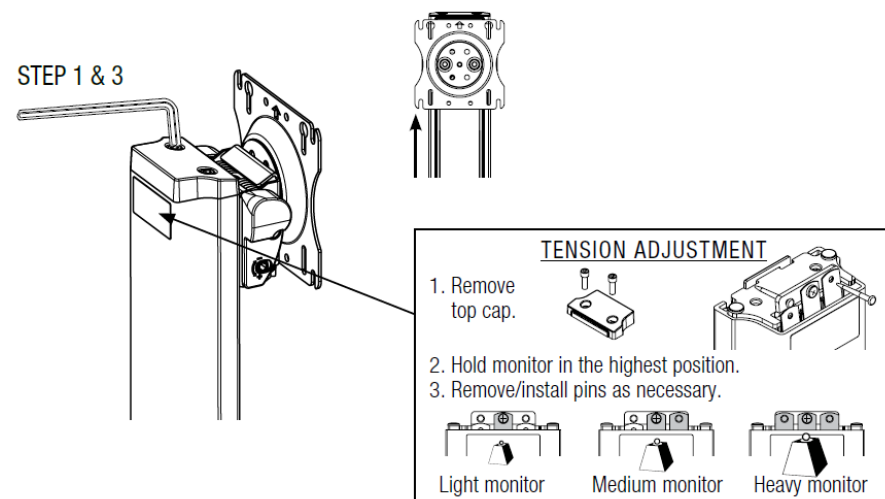


## TENSION ADJUSTMENT OF THE MONITOR

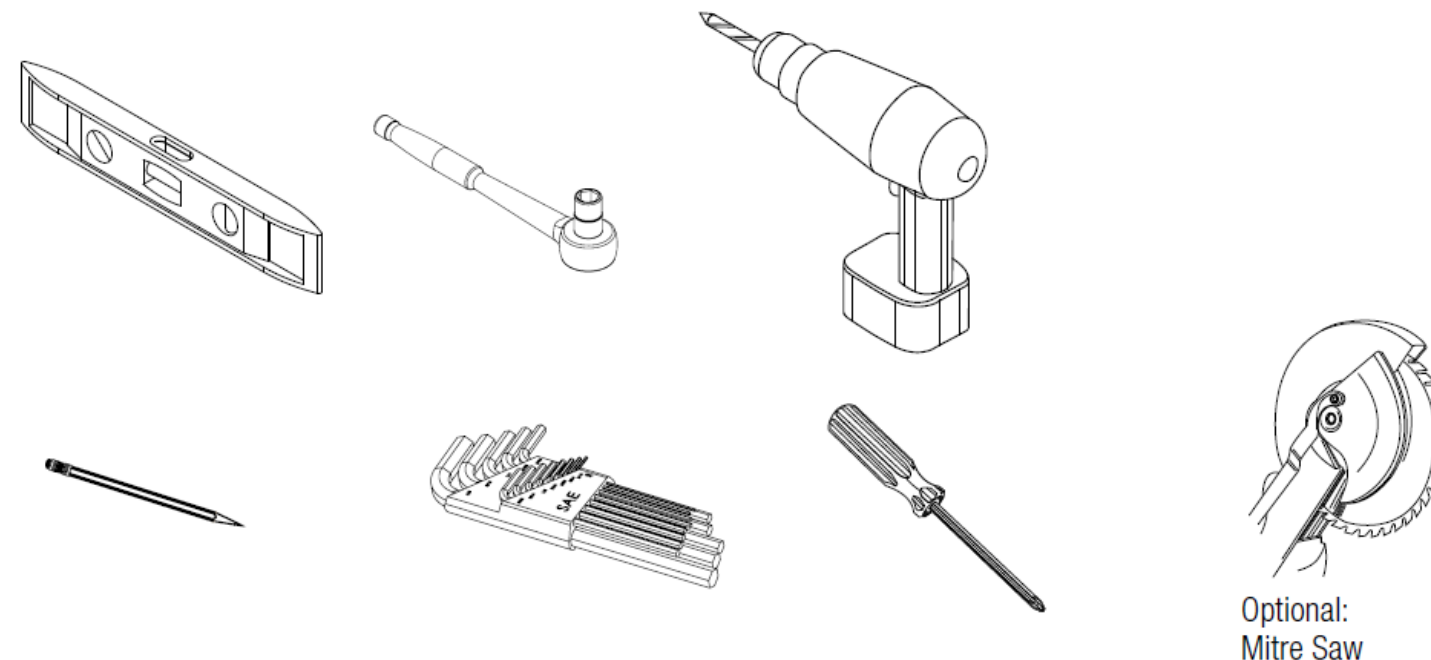
**STEP 1**  
Use the 3/16" Allen Key to remove the two bolts securing the plastic top cap of the Float Tower. Remove cap.

**STEP 2**  
Remove and install pins as necessary per the drawing while holding the monitor in the highest position. If pins are not needed, keep them inserted in the bracket hole for possible future use.

**STEP 3**  
Once tension is acceptable, replace the cap and secure with the screws mentioned in STEP 1. Tighten with 3/16" Allen Key.



## TOOLS REQUIRED



Allen Wrenches: 1/4", 7/32", 3/16" and 1/8"  
Socket Wrench: 7/16"  
Drill Bit: 1/8" and 1/2"  
Phillips Screwdriver

### INSTALLATION WARNINGS:

- Read the entire instruction manual before beginning any installation or assembly.
- The installer must verify that the entire wall safely supports the combined weight of all the attached equipment and hardware.
- Improper installation of this product may cause extensive property damage or serious personal injury, either during or after installation.

### DISCLAIMER:

- The manufacturer and/or distributor will bear no responsibility for any damages of any kind arising from any improper installation.
- In no way will the manufacturer or distributor be held liable for any damage to the monitor, property or personal injury should an outside force either intentionally or unintentional be applied to the monitor or monitor mounting bracket causing it to pull off the wall.

### SAFETY WARNING:

- California installations may require specific anchorage and additional supports. Check with local authorities for codes in your area. Other seismic states will have similar regulations.
- Prior to drilling, verify the location of any electrical wiring within the wall. An electrical short can kill or create serious injury and fire hazard both during and after installation.
- OSHPD certificate available upon request.


### ADJUSTMENT NOTIFICATION:

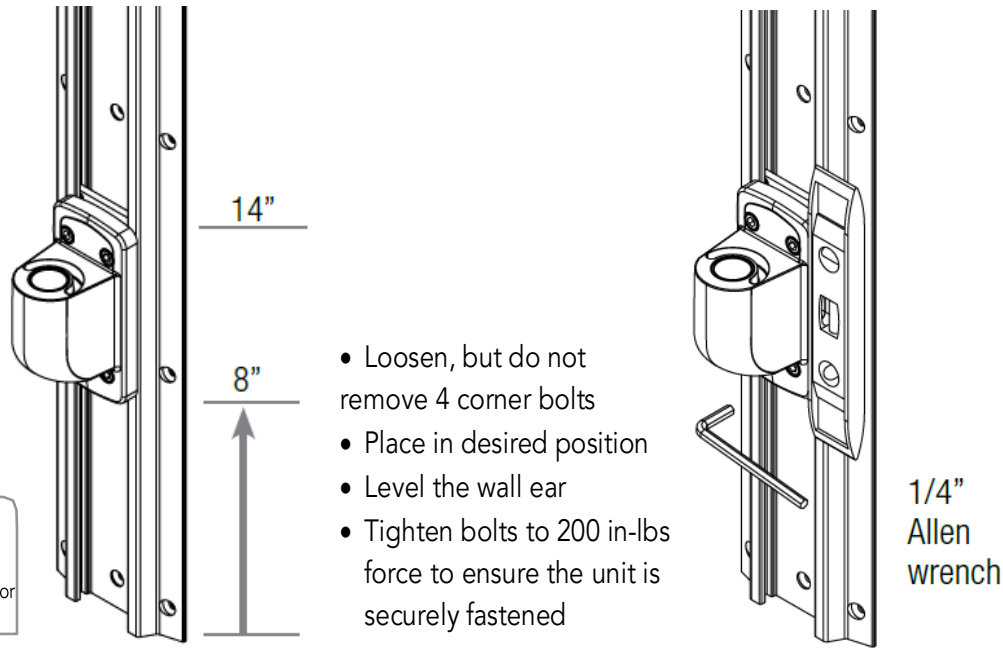
- Routine maintenance checks and adjustments are suggested to properly support the quality and optimal performance of this product. Refer to adjustment suggestions or contact your distributor for further detailed information.
- Over tightening of bolts during installation or adjustments may damage the product and affect the function and warranty.

## MOUNTING HEIGHT

### POSITIONING WALL EAR

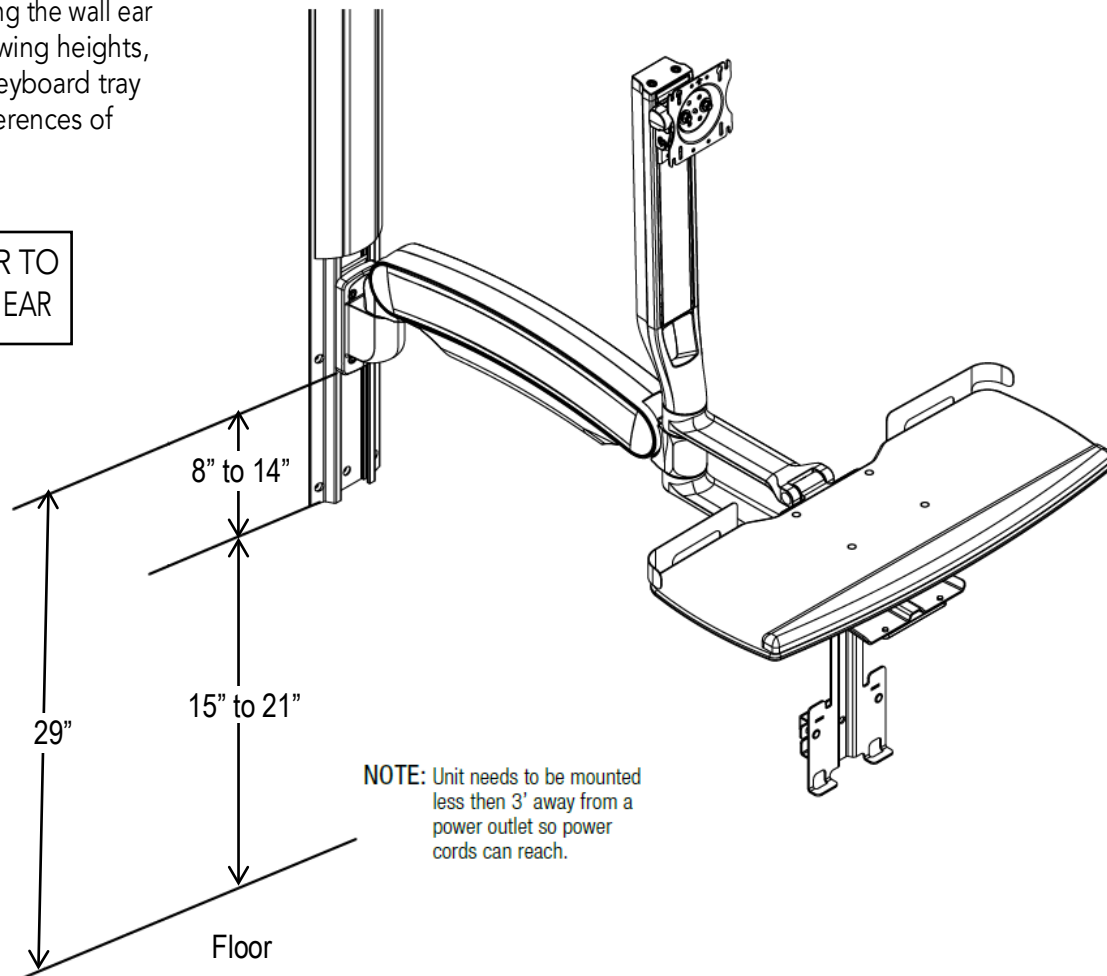
If installing directly to drywall (hollow wall applications) please note the bottom of the wall ear must be positioned between 8"-14" from the bottom of the track.

 Improper installation of this product may cause extensive property damage or serious personal injury, either during or after installation.



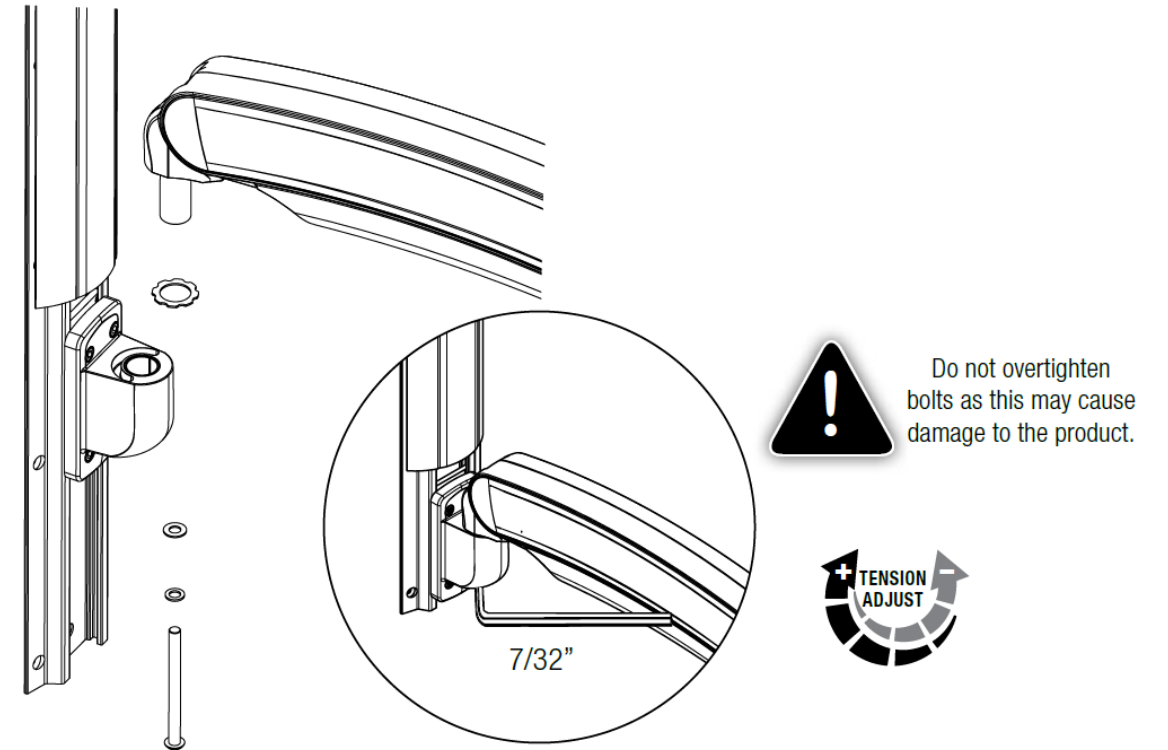
We recommend having the wall ear installed at the following heights, depending on the keyboard tray working height preferences of the users.

29" FROM FLOOR TO BOTTOM OF WALL EAR

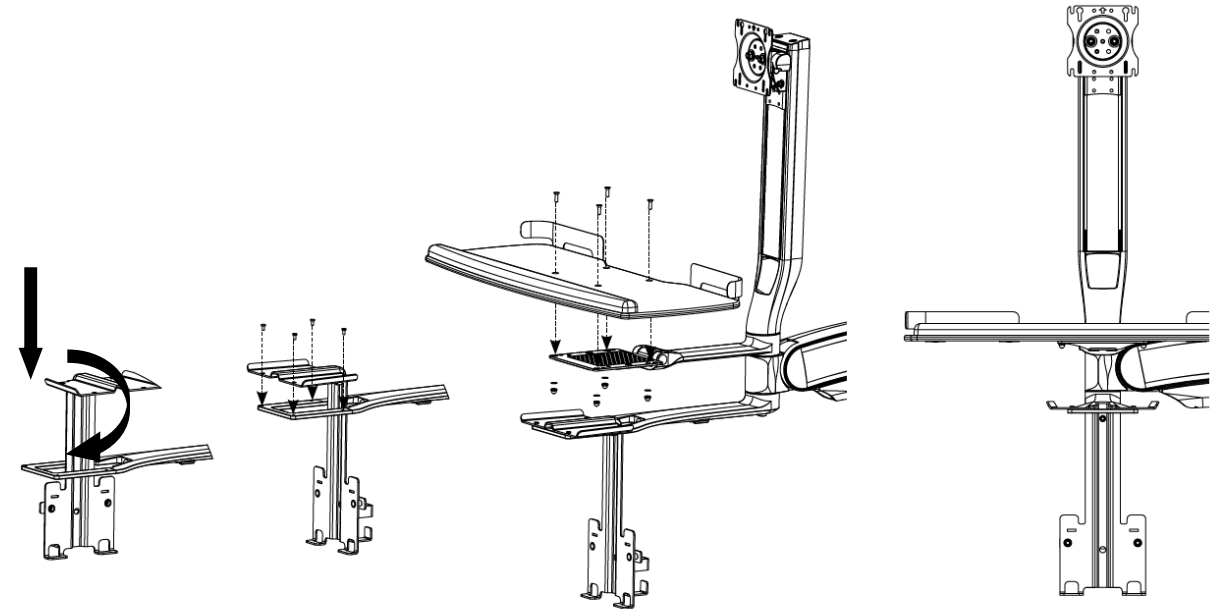


## MAIN ARM INSTALLATION

### MAIN ARM INSTALLATION DIRECT TO WALL EAR



## TRAY INSTALLATION

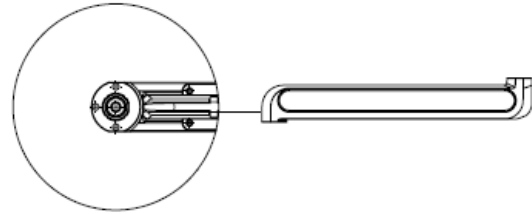


Use the hardware provided to attach the IQvitals Zone bracket and keyboard tray to the arm. Tighten with #3 Phillips screwdriver to 20-30 in-lbs.

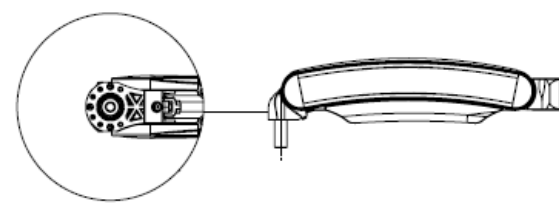
## PIVOT LIMITER

This item is to be positioned (if required) before installing the extension arm or main arm to the wall ear.

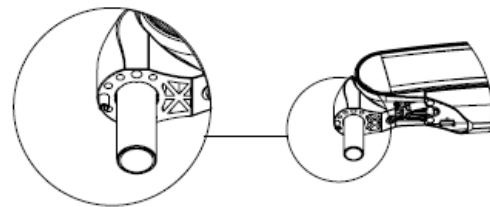
### LIMITER HOLES ON THE EXTENSION ARM



### LIMITER HOLES ON THE MAIN ARM

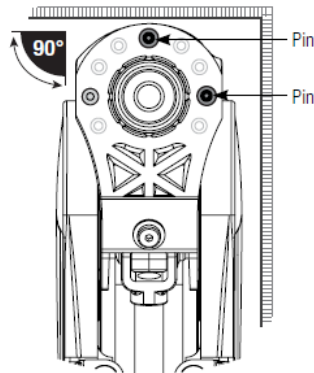


### PIVOT LIMITER VIEW FROM UNDERSIDE



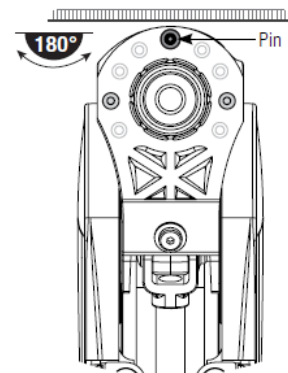
Lightly tap the pin to ensure it stays in place during

### Limits 90° right rotation



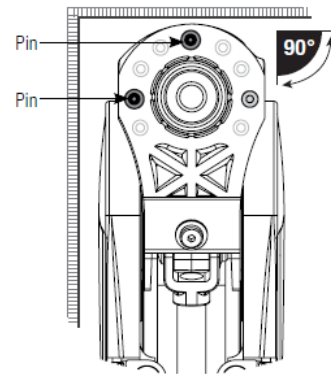
Position pins as shown to limit rotation to the right.

### Allows 180° rotation



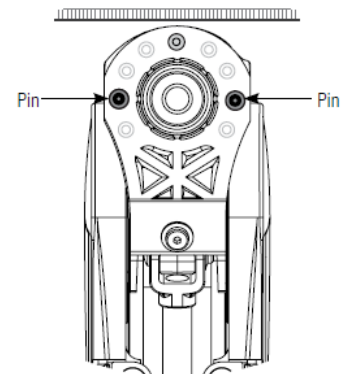
Position pin at 12:00 to prevent the arm from coming in direct contact with the wall on either side

### Limits 90° left rotation



Position pins as shown to limit rotation to the left.

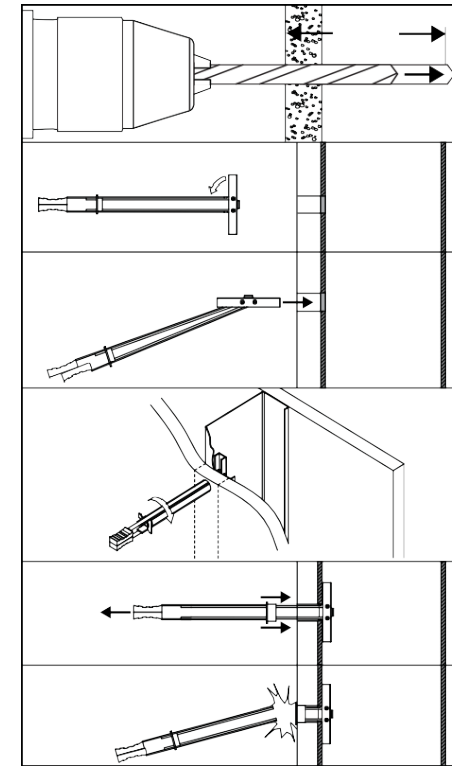
### Limits total rotation



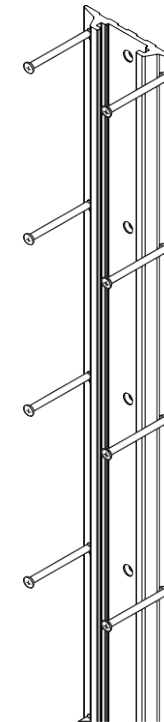
Position pins at 3:00 & 9:00 for a full rotation lock out

## HOW TO INSTALL TOGGLERS

Use a level and ensure track is flush, flat and snug to the wall. Mark hole locations prior to drilling and install toggler bolts in appropriate locations. Refer to page 4 for proper mounting height.

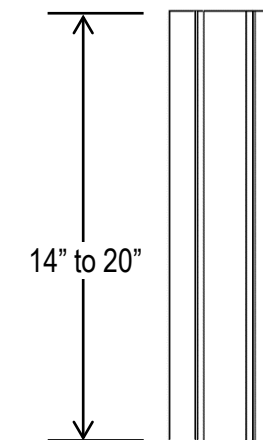
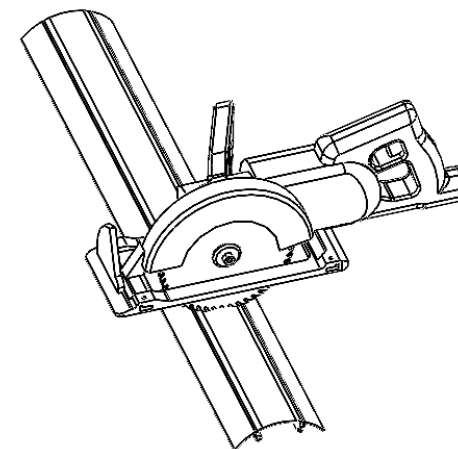


Use bolts provided to secure track to the wall. Refer to the reference guide on pages 6 and 7.



## TRACK COVER SIZING

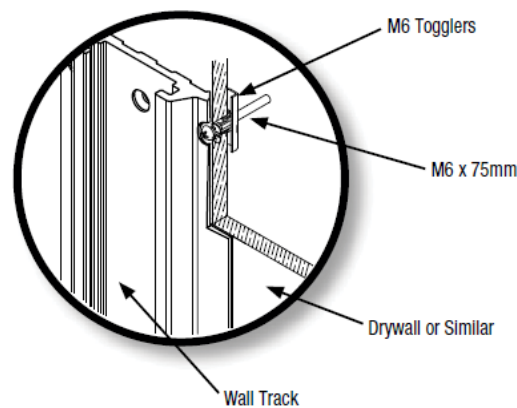
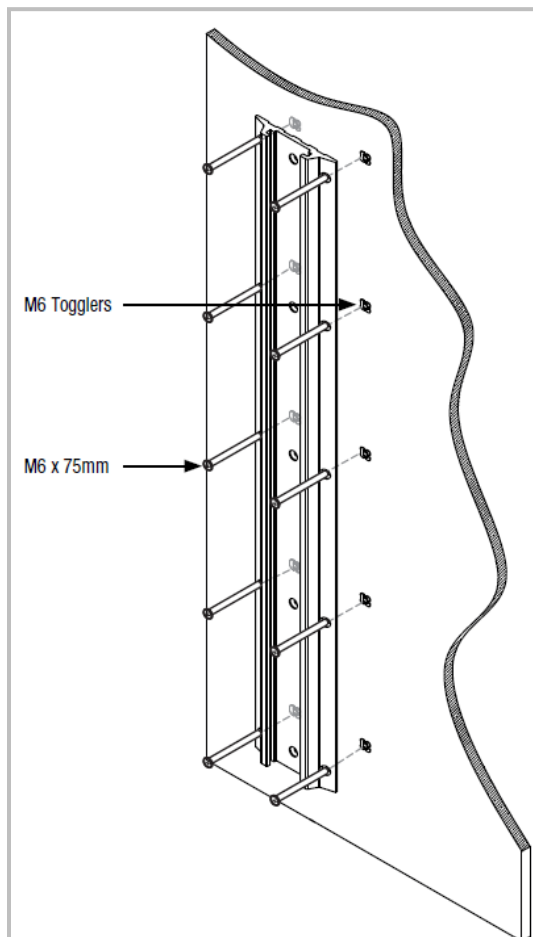
If the installation requires the wall ear to be positioned higher as shown on page 4, the track cover will need to be cut to length. Using a saw, cut the track cover according to how high the wall ear will be placed from the floor. The length of the cover after the cut should range from 14 to 20 inches.



# MOUNTING SURFACE

## DIRECT TO DRYWALL

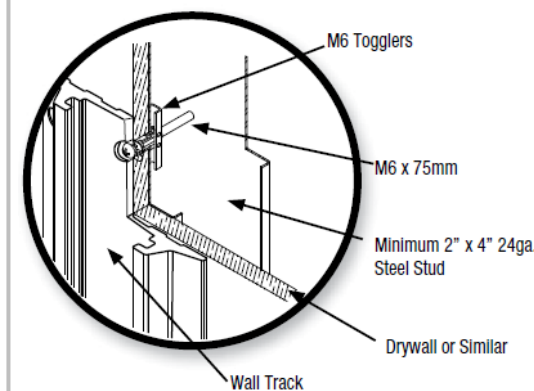
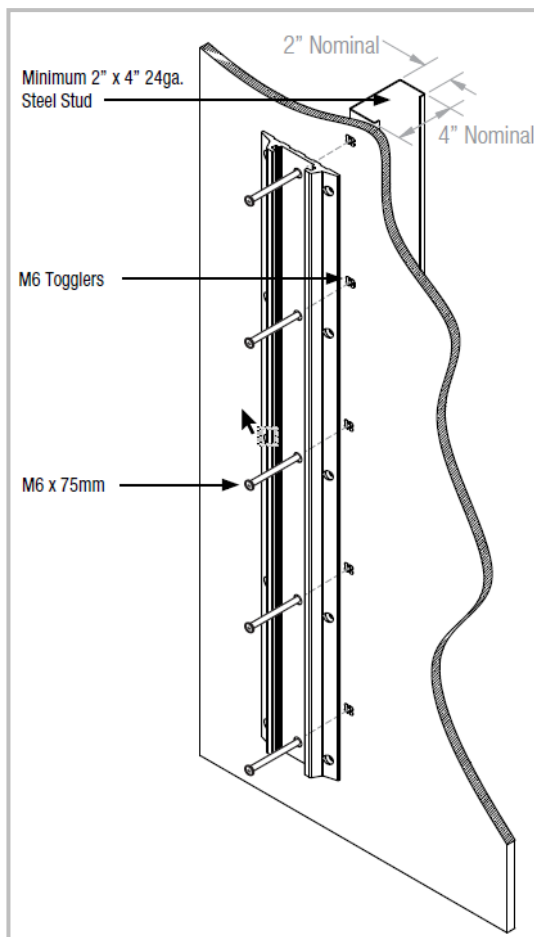
34" TRACK – 10 outer holes



**CRITICAL:** The wall ear must be positioned between 8-14" from the bottom of the track.

## STEEL STUD

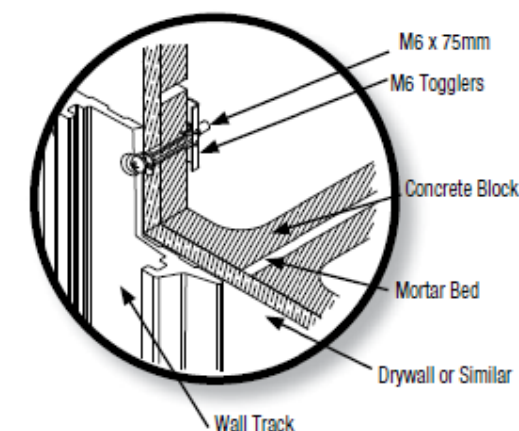
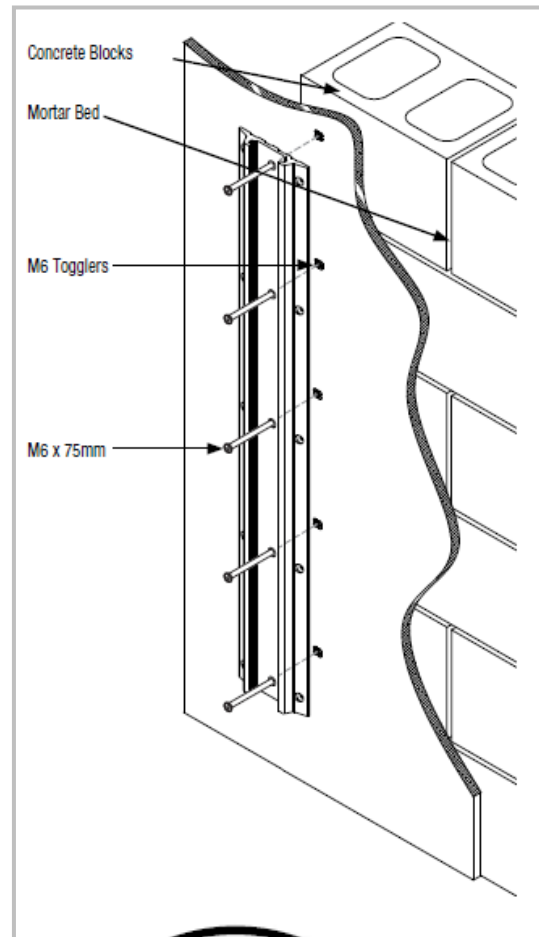
34" TRACK – 5 inner holes



**NOTE:** Bolts are to be placed in the horizontal center of the 2" x 4" Steel Stud.

## CONCRETE WALL (block)

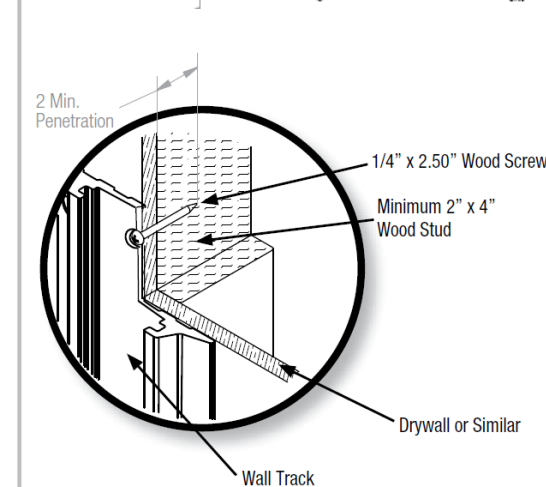
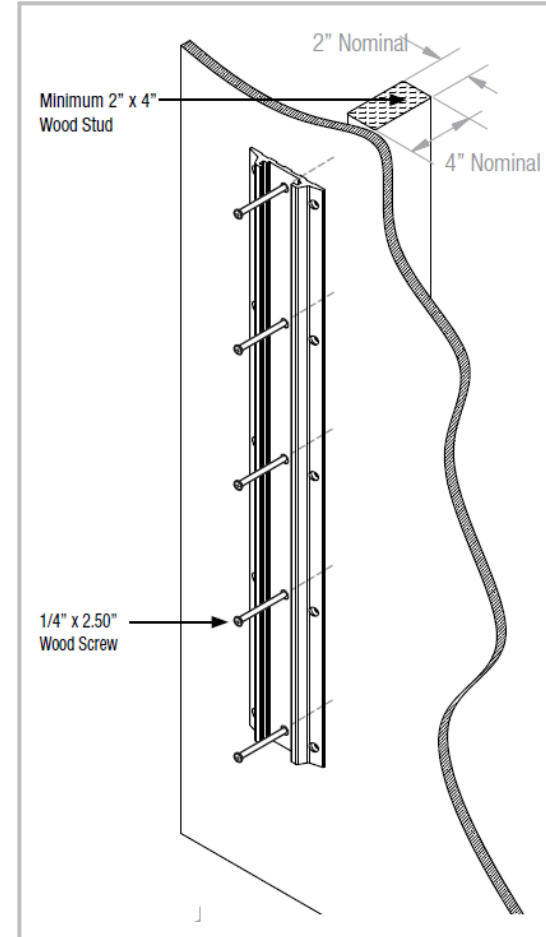
34" TRACK – 5 inner holes



**NOTE:** Bolts must pass through concrete block. Bolts must not pass through mortar bed between blocks nor through the web within the blocks. When attaching to concrete blocks, only one bolt per cell allowed.

## WOOD STUD

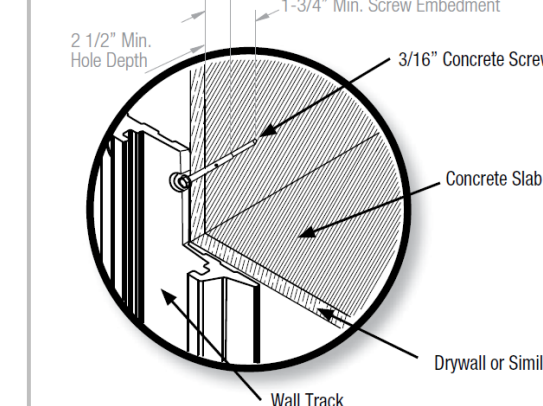
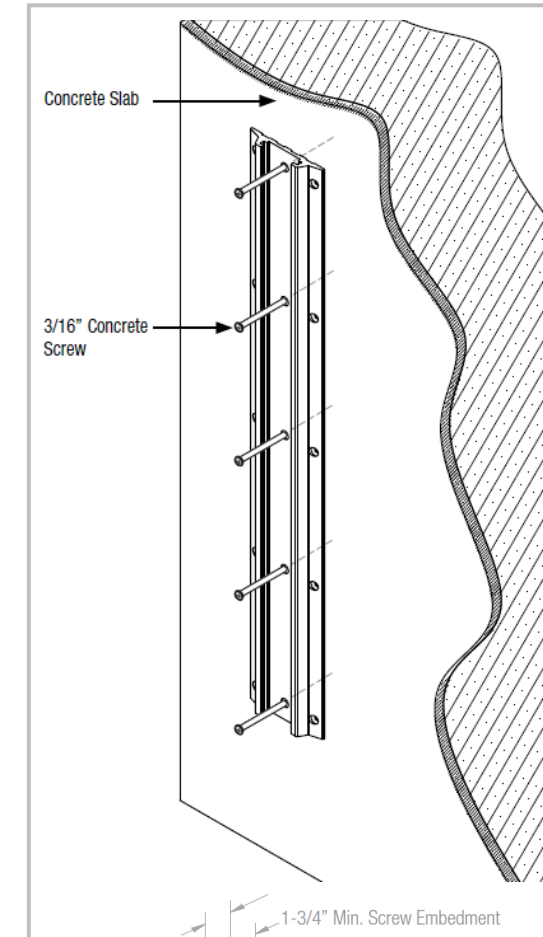
34" TRACK – 5 inner holes



**NOTE:** Screws are to be placed in the horizontal center and must penetrate at least 2" into the wood stud.

## CONCRETE WALL (block)

34" TRACK – 5 inner holes  
Concrete hardware not provided



**NOTE:** Pre-drilled holes to be created using Tapcon drill bit for 3/16"x2-1/4" lg. concrete screws to a Min. hole depth of 2-1/2" into concrete slab.