

Kink Valve® Pilot Air Control Kit (002-10580-00)

Components:

Regulator
Uni-Clamp (2)

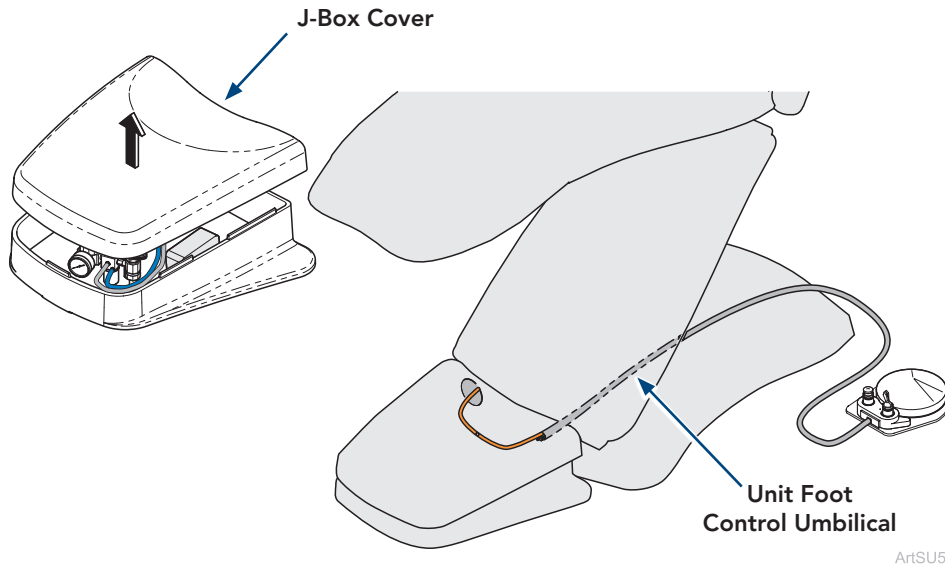
Special Tools:

none

Language of origin: English

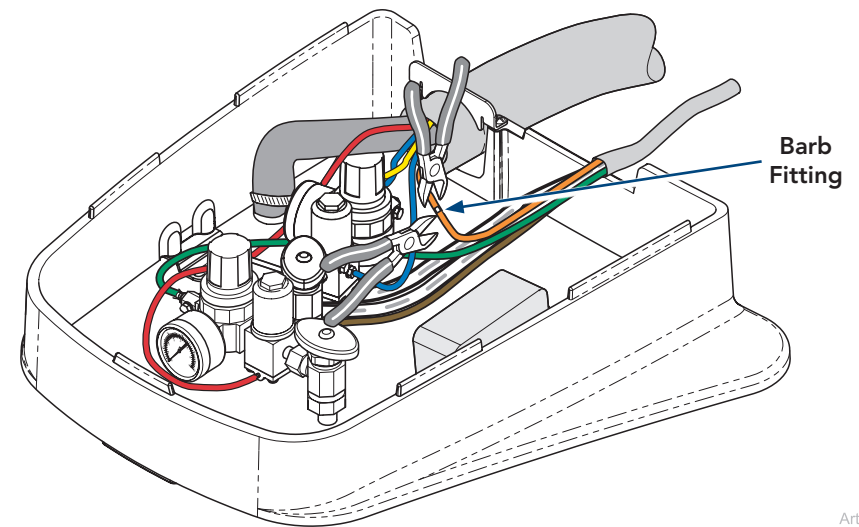
Step 1:

- A) Remove J-box cover.
- B) Turn off air shutoff valve.
- C) Find orange tubing running from Unit Foot Control Umbilical into J-box.



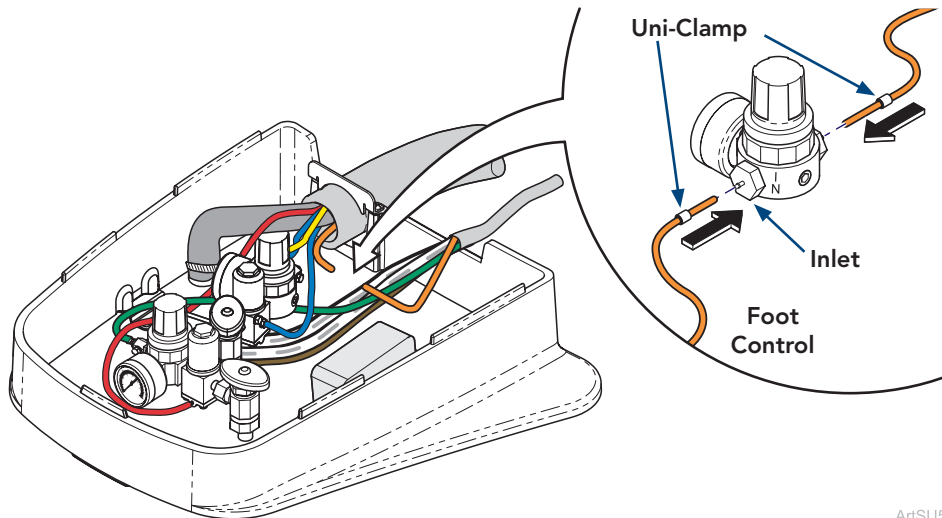
Step 2:

Cut barb fitting from orange tubing located in J-box.



Step 3:

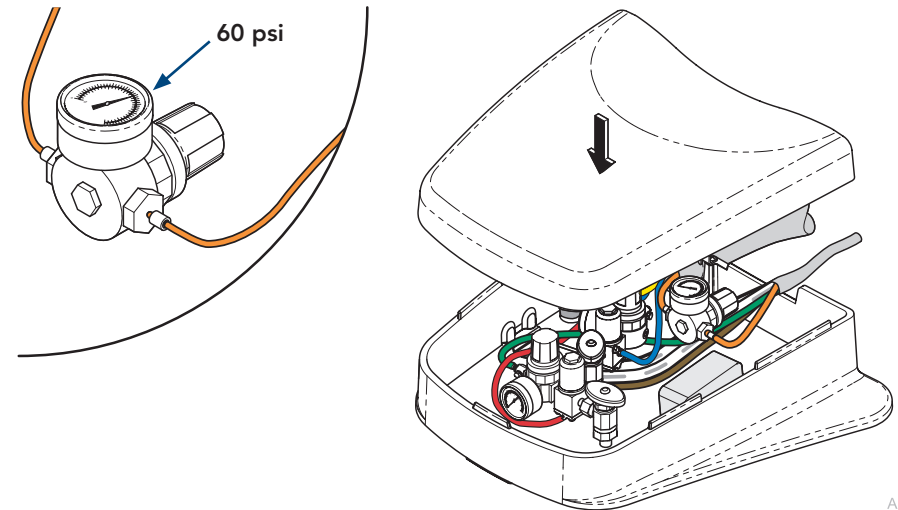
- A) Install uni-clamps (2) onto orange tubing.
- B) Install tubing from foot control onto regulator port marked IN.
- C) Install other orange tubing to other side of regulator and secure both tubes with uni-clamps.
- D) Turn on air shutoff valve and check for leaks.



ArtSU5

Step 4:

- A) Press foot control and ensure regulator reads 60 psi.
- B) Adjust regulator as needed.
- C) Reinstall J-box cover, ensuring all tubing and wiring is not pinched or kinked.



ArtSU5