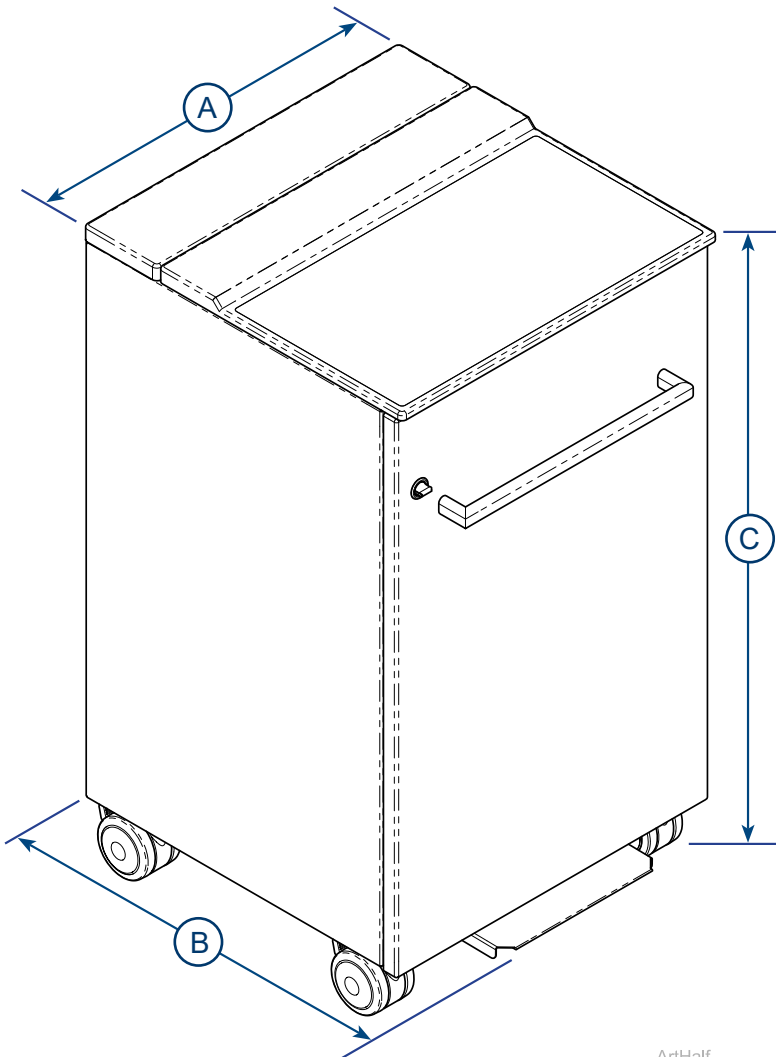


# Specifications: Midmark® Mobile Linen Cart - Synthesis® Cabinetry



ArtHalf

## Dimension Ranges

(A) (width)	18 in
(B) (depth)	18 in
(C) (height)	31 & 33 in

### **Cabinet:**

- Powdercoated 18 gauge cold rolled steel; multi-piece shell and frame design; riveted and press joined (Tog-L-Loc®)

### **Door Construction:**

- *Front/Back/Top:* 12 Mil. Seamless polymer-covered front; melamine back (Frost in color).
- *Core:* 45 lb. LEED IEQ compliant MDF board, 3/4 inch thick. All composite wood material to meet CARB P2 emission std of CARB reg. 91320.2.
- *Hinges:* Manufacturer's standard Blum® straight arm, soft closing hinges, with 110 deg. opening, nickel-plated metal finish, side and depth adjustments.
- *Pulls:* 320 mm pull offering for stainless steel satin brushed finish.

### **Casters**

- Manufacturer's standard Shepherd Caster Corp®, 75 mm nylon wheel design with elastomeric treads, stem mounting; locking wheel.