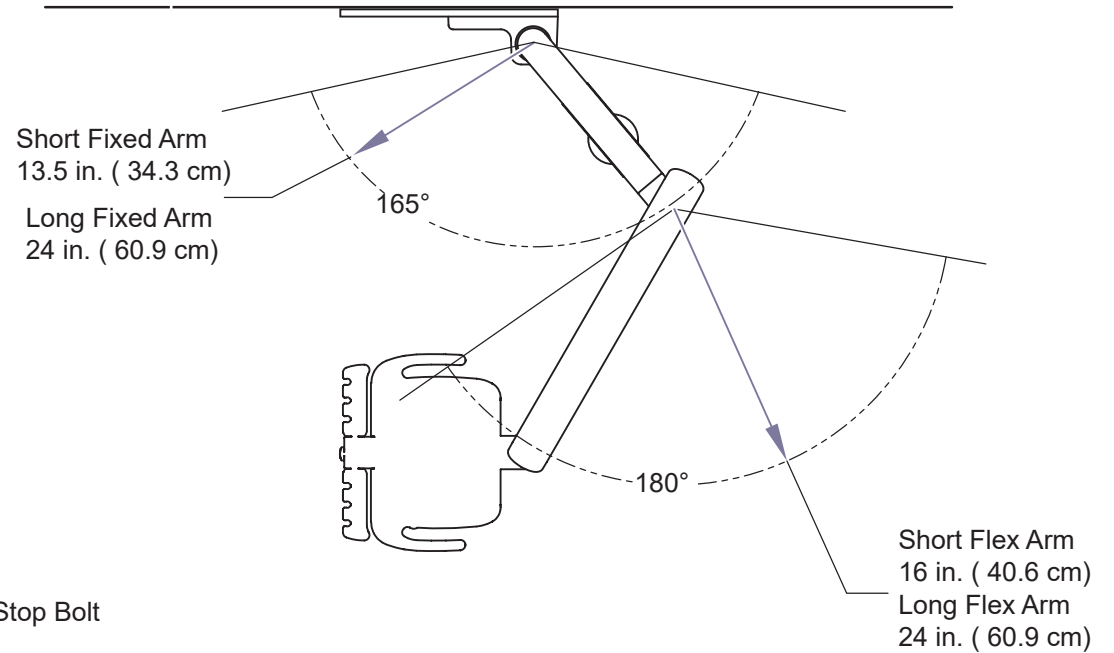
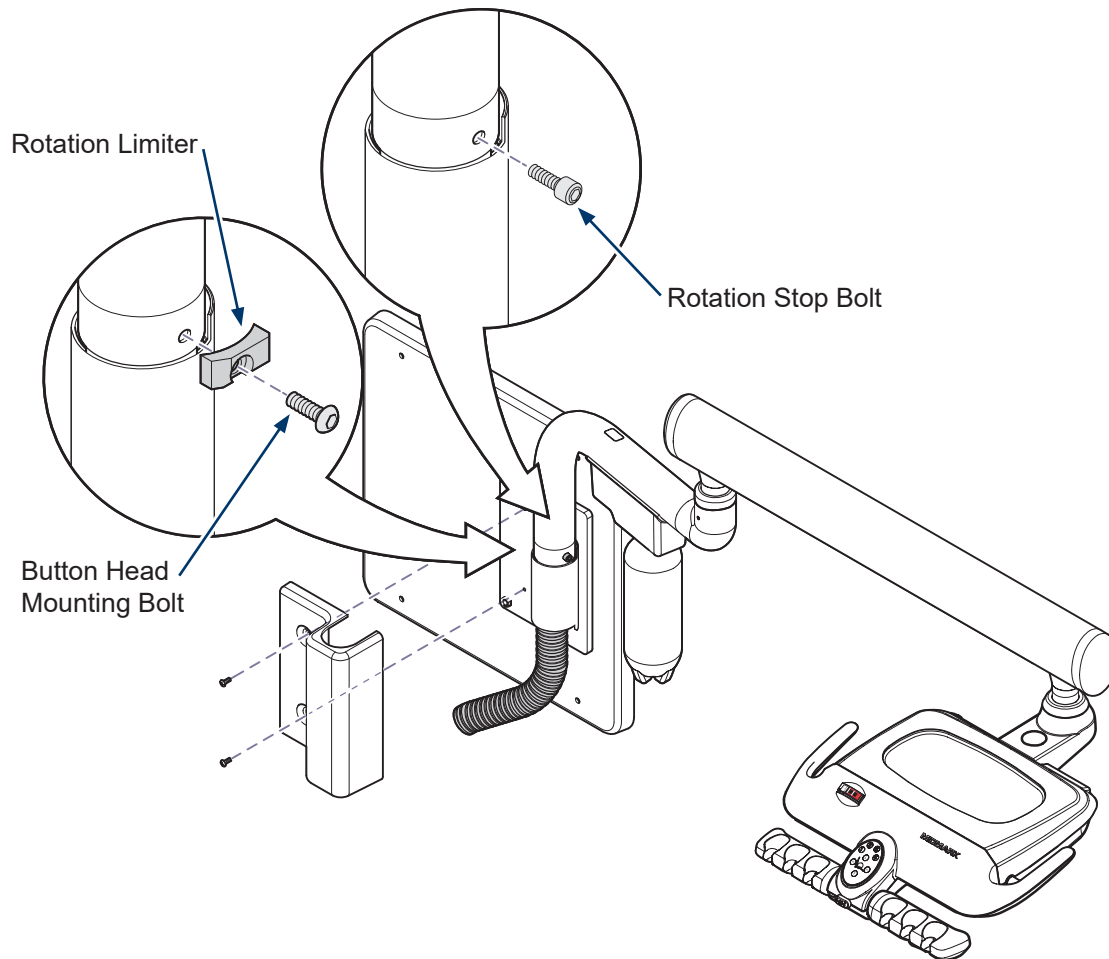


Install Rotation Limiter.

- A) Remove wall rotation cover.
- B) Remove rotation stop bolt.
- C) Install rotation limiter with short side located on the left using new button head mounting bolt.
- D) Reinstall wall rotation cover.

Note: Observe orientation of rotation limiter to achieve correct arm rotation limits.



ArtFull