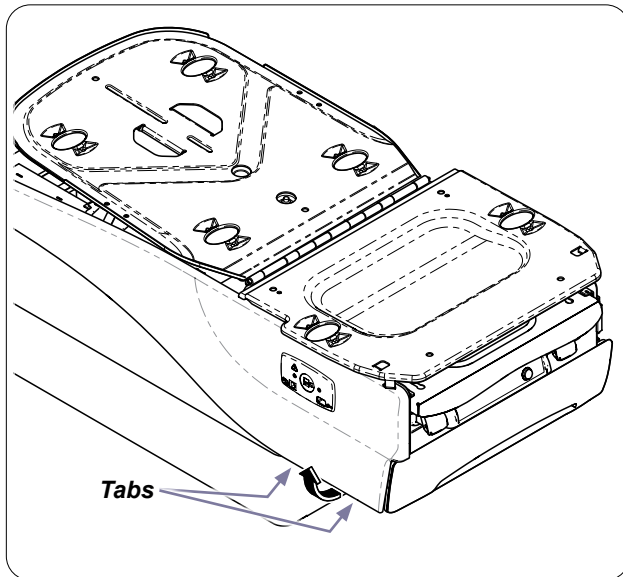


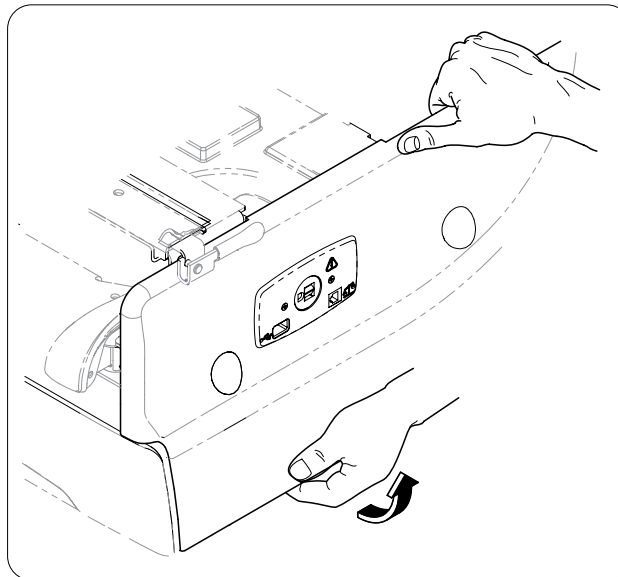


Caution

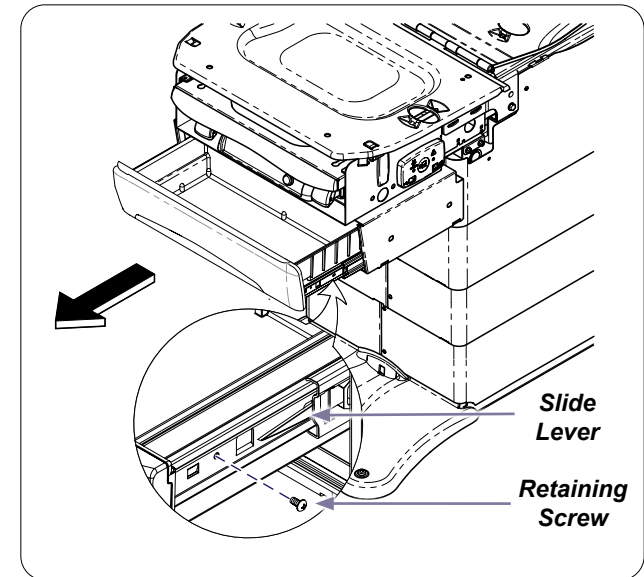
Always disconnect power to chair before removing covers or performing any service procedures.



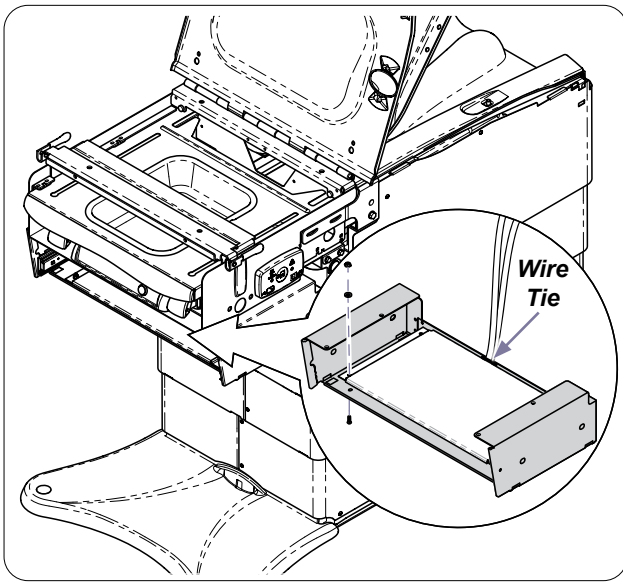
Step 1:
Press two tabs to release bottom of Cladding.



Step 2
A) Pull bottom of Cladding away from chair.
B) Lift Cladding up to remove.

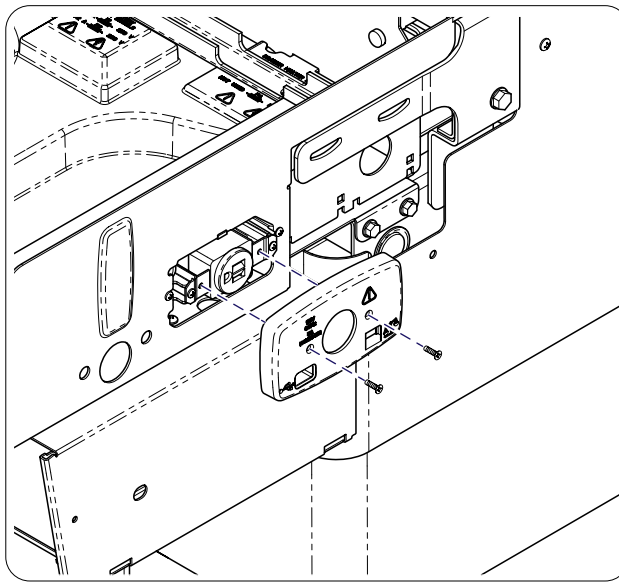


Step 3:
A) Remove Retaining Screw. (located on one side only)
B) Push LH Slide Lever UP and RH Slide Lever DOWN.
C) Remove drawer by pulling straight out.
Note: Slide levers are clear plastic.



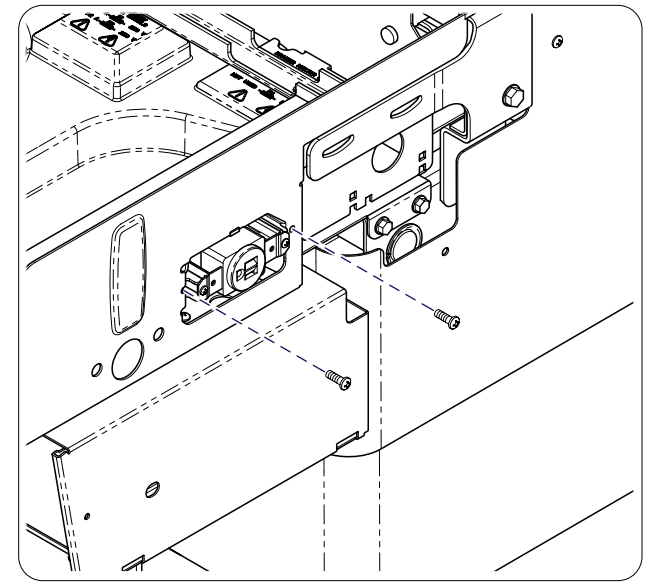
Step 4:

- A) Remove four nuts, screws, and washers securing Heater Plate to Drawer Housing.
 - B) Cut wire tie, releasing Heater Plate from housing.
- Note: Do not completely remove Heater Plate.



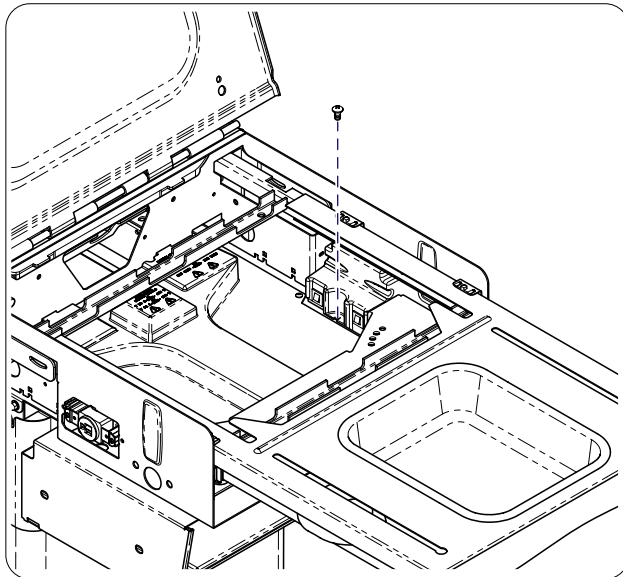
Step 5:

- A) Remove two screws securing Receptacle Cover.
- B) Repeat for other side.



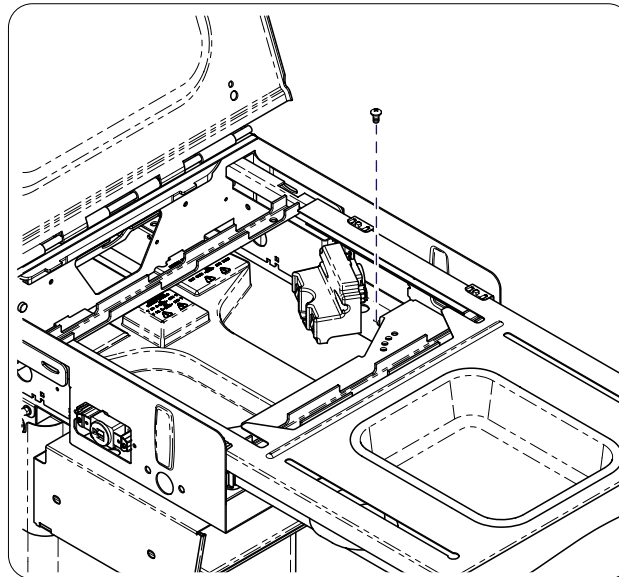
Step 6:

- A) Remove two outer screws securing Receptacle Housing.
- B) Repeat for other side.



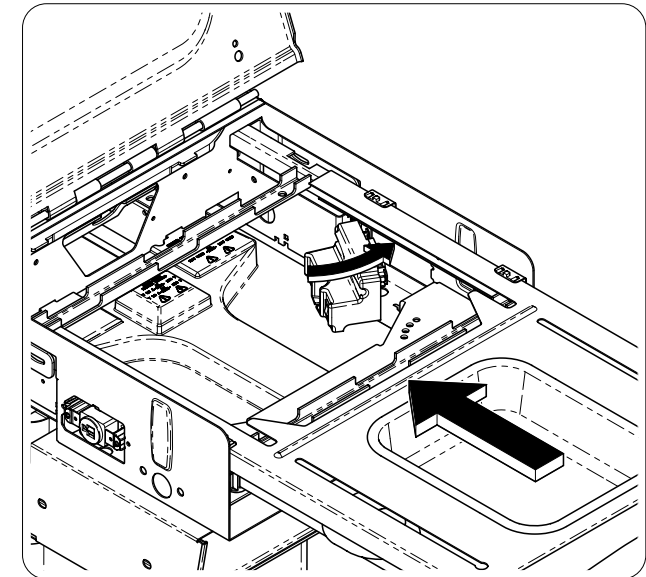
Step 7:

- A) Remove one inner screw securing Receptacle Housing.
- B) Repeat for other side.



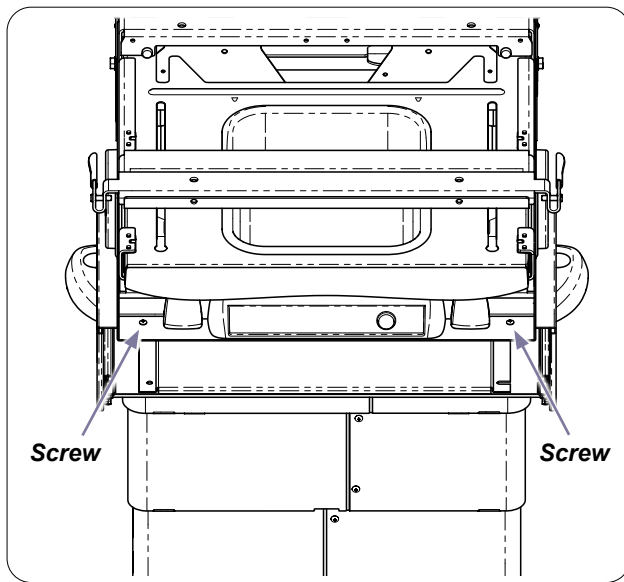
Step 8:

- A) Move Receptacle Housing to the side.
- B) Remove one Rear Drawer Housing mounting screw.
- C) Repeat for other side.

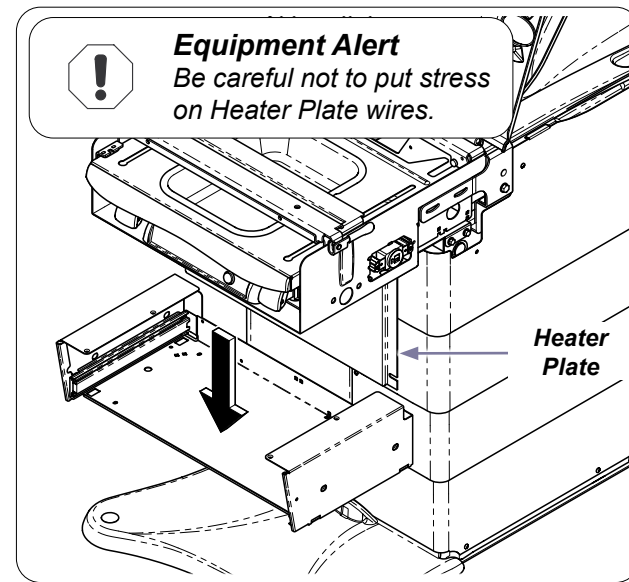


Step 9:

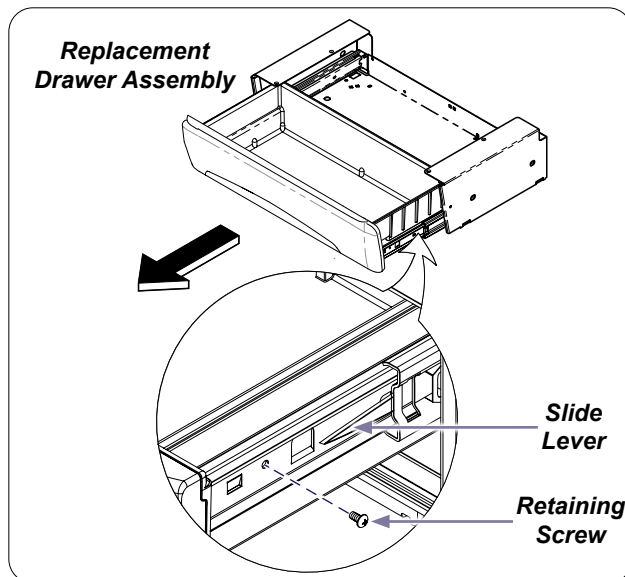
- A) Move Receptacle Housings back to their original location.
- B) Slide Footrest and Stirrups back into chair.



Step 10:
Remove two Front Drawer Housing mounting screws.



Step 11:
While supporting Heater Plate, remove Drawer Housing.



Step 12:
A) Remove Retaining Screw. (located on one side only)
B) Push LH Slide Lever UP and RH Slide Lever DOWN.
C) Remove drawer by pulling straight out.
Note: Slide levers are clear plastic.

Step 13: Reassemble Drawer Assembly

- A) Position Heater Plate in Drawer Housing.
- B) Secure Drawer Housing to Chair with four mounting screws.
- C) Secure Heater Plate in Drawer Housing with four screws, washers and nuts.
- D) Install wire tie for Heater Plate wires at rear of Drawer Housing.
- E) Position Receptacle Housings and secure with three screws.
- F) Position Receptacle Covers and secure with two screws.
- G) Slide Drawer into Drawer Housing.

Step 14: Install Cladding

- A) Insert tabs at head-end of Cladding into side Cladding holes.
- B) Slide Cladding over upperwrap.
- C) Pull bottom of Cladding out, then push down on the top to engage the long tab onto top edge of upperwrap.
- D) Push bottom of Cladding in, until two bottom tabs snap into place.