

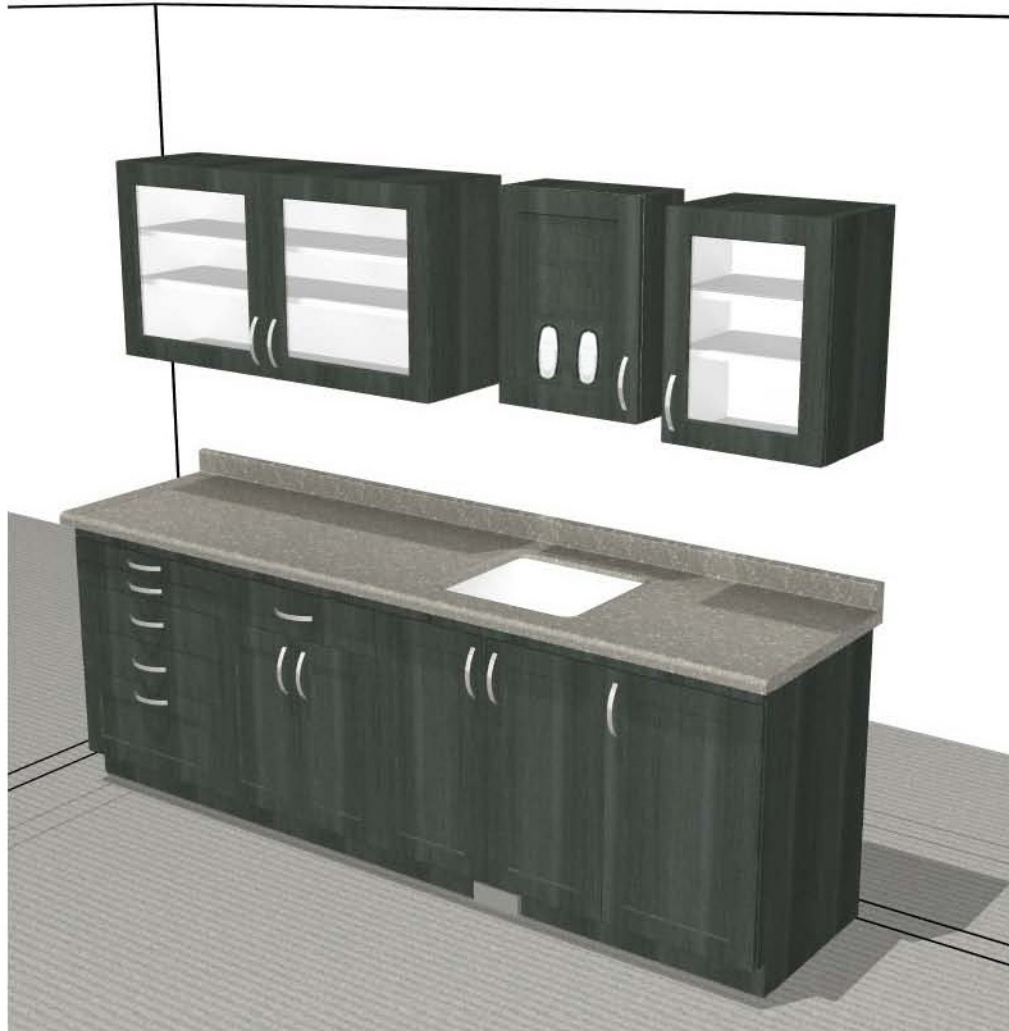
Synthesis® Cabinetry Collection Installation

Applies to Models:
Midmark 3" Cabinetry

Special Tools:
none

Note:

Use the table of contents to find the install instruction for various units in the configuration.



MA9252i

Table of Contents

Important Info

IMPORTANT INFORMATION

<i>Model Number</i>	3
<i>Safety</i>	4
<i>Explanation of Safety Signals</i>	4
<i>Introduction</i>	4
<i>Receiving Truck / Shipment</i>	5
<i>Tools Needed</i>	6
<i>Room Layout Drawing</i>	7
<i>Cabinet ID Drawing</i>	8
<i>Necessary Units to Secure</i>	9

Installation Instructions

INSTALLATION INSTRUCTIONS

<i>Overhead Unit Installation</i>	10
<i>Base Unit Installation</i>	15
<i>84" & 72" Tall Unit Installation</i>	18
<i>Corner Overhead & Base Unit Installation</i>	22
<i>Wall Hanging Sink (ADA) Installation</i>	27
<i>Wall Hanging Cabinetry Installation</i>	30
<i>Towel/Cup/Glove Dispenser and Dressing Nook Installation</i>	38
<i>Dressing Nook Door Reversal</i>	41
<i>Desk Unit Installation</i>	42
<i>Stand-Alone Base Unit Installation</i>	45

Finish

GENERAL FINISH REQUIREMENTS

<i>Countertop Installation</i>	46
<i>Open Area Countertop Installation</i>	47-48
<i>Installing Doors, Handles and More</i>	49
<i>Door Adjustment</i>	50
<i>90° and 45° Corner Shelves Installation</i>	51

Accessories

ACCESSORIES

<i>Overhead Unit Filler Panel Installation</i>	52
<i>Base & Tall Unit Filler Panel Installation</i>	54
<i>Desk Unit Filler Panel Installation</i>	56
<i>Sloping Top Installation</i>	57
<i>Sink Apron Panel Installation</i>	61
<i>Miscellaneous Install Information</i>	62

(*) Indicates multiple pages due to model / serial number break(s).

Model Number

Midmark uses a product part number for the cabinets that has a detailed structure.

Product Information

Step 1. Configuration

□□## # #" □□□□ □□□□□□ □□□□ □□□□□□

Step 2. Width

#" □□□□

#" □□□□

Step 3. Depth

#" □□□□

Step 4. Panel Style

□ □□□□

□ □□□□□□□□□

□ □□□□□

□ □□□□□□□□□

□ □□□□□□□□□

Step 5. Cabinet Finish

□ □□□□□ □□□

□ □□□□□

□ □□□□□□□□□

Step 6. Lock

□□□□

□ □□□□□□□ □□□□□□ □ □□□□□

Step 7. Handle Finish *available finishes on Flat, Shaker, & Raised Panels

□ □□□□□□□ □□□□□□

□ □□□□□□□□□ □□□□□□

□ □□□□

Step 8. Caster Style

□ # " □□□□ □□□□ □□□□□□□□

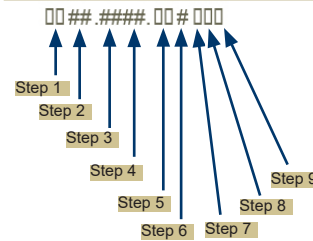
□ # " □□□□ □□□□ □□□□□□□□

Step 9. Top Style

□ □□□□□ □□ □□□□□□□□□□

□ □□□□□ □□ □□□□□□□□

Example



Safety

A primary concern of Midmark is that this equipment be operated and maintained with the safety of the users in mind. To assure safer and more reliable operation, do the following: (1) Read this manual before operating your equipment; (2) Assure that appropriate personnel understand the contents of this manual--responsibility of the purchaser; (3) Understand the instructions contained in this manual before attempting to install this equipment.

Explanation of Symbols



Caution

Indicates a potentially hazardous situation which may result in minor or moderate injury if not avoided. It may also be used to alert against unsafe practices.



Equipment Alert

Indicates a potentially hazardous situation which could result in equipment damage if not avoided.

Note

Amplifies a procedure, practice, or condition.

Introduction

This installation guide has been prepared to assist in the installation of Midmark modular Cabinetry. Careful and proper installation of these units are in the best interest of the Customer, Distributor, and Midmark. Following these instructions will assure proper installation and will simplify the task. Special conditions may be encountered that are not described in this manual. Should this occur during an installation, contact your local distributor for assistance or Midmark at 1-800-643-6275.

Receiving Truck / Shipment

The following will assist the installer or dealer in getting the truck to the dock and unloaded. It will be necessary for the installer to be on site prior to the trucks arrival, so that the best point of delivery for the product can be determined.

If the installer has been given an exact time of arrival and the truck does not arrive on time, the foreman must notify Midmark within eight hours. Midmark will not be liable for any charges if notified later than eight hours of the scheduled arrival time.



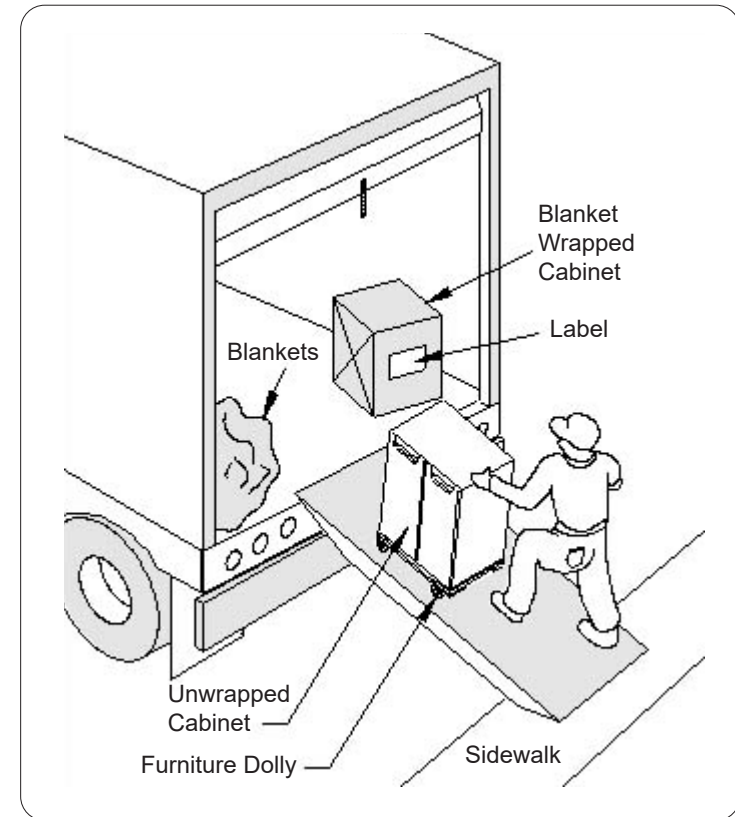
Equipment Alert

While unloading truck, make sure to avoid damage to the cabinets. Do not use sharp objects to cut packaging from the cabinets.

All wrapped products must be unwrapped from the blankets in the trailer. The blankets and rubber bands need to be returned to the trailer prior to the trailer leaving the site. All boxed products will remain in the boxes until installation.

The cabinets and top surfaces may be wrapped in blankets or boxed. The product will have labels marked for model number, description, date, room number, and will have a line drawing of the cabinet.

IF ANY PRODUCT APPEARS TO HAVE DAMAGE DUE TO FREIGHT, PLEASE NOTE IT ON THE "BILL OF LADING".



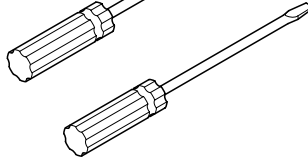
Important Recommendation

Midmark recommends starting in a corner or verifying where the best starting position is if the installation is not required to start in a corner.

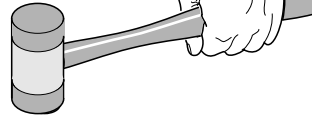
Tools Needed



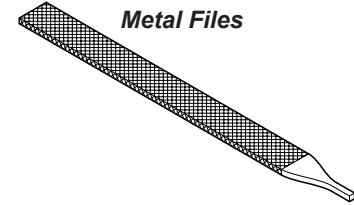
Screwdriver Set



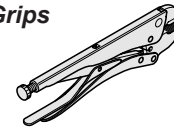
Rubber Mallet



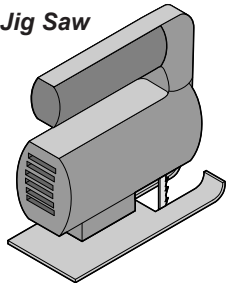
Metal Files



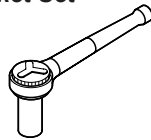
Vice Grips



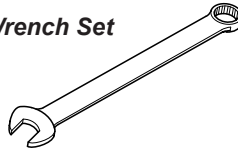
Jig Saw



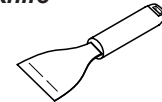
Socket Wrench w/
Socket Set



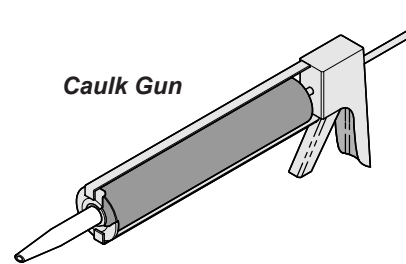
Wrench Set



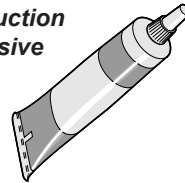
Putty Knife



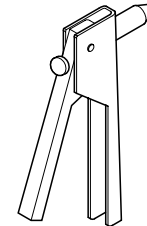
Caulk Gun



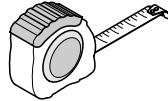
Construction
Adhesive



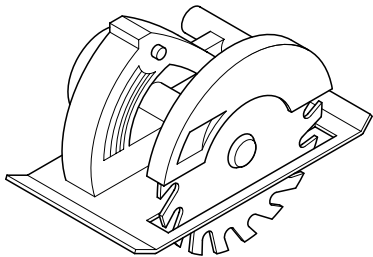
Riveter



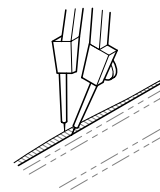
Measuring Tape



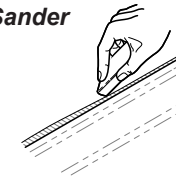
Circular Saw



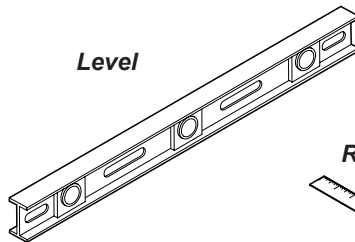
Compass/Scribe



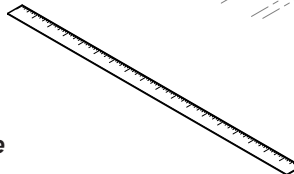
Hand
Sander



Level



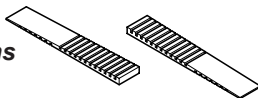
Ruler



Utility Knife



Shims



Tape



Not Shown:

Stud Finder
C-Clamps
Heat Gun
Belt Sander
Hammer Drill
Drill Bit Set
Contact Cement
Laminate Trimmer

MA9565j



www.midmark.com
 drawings-casework@midmark.com
 Phone: 1-800-MIDMARK

Synthesis® Cabinetry Collection Drawing

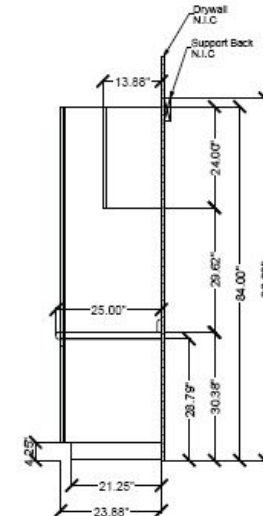
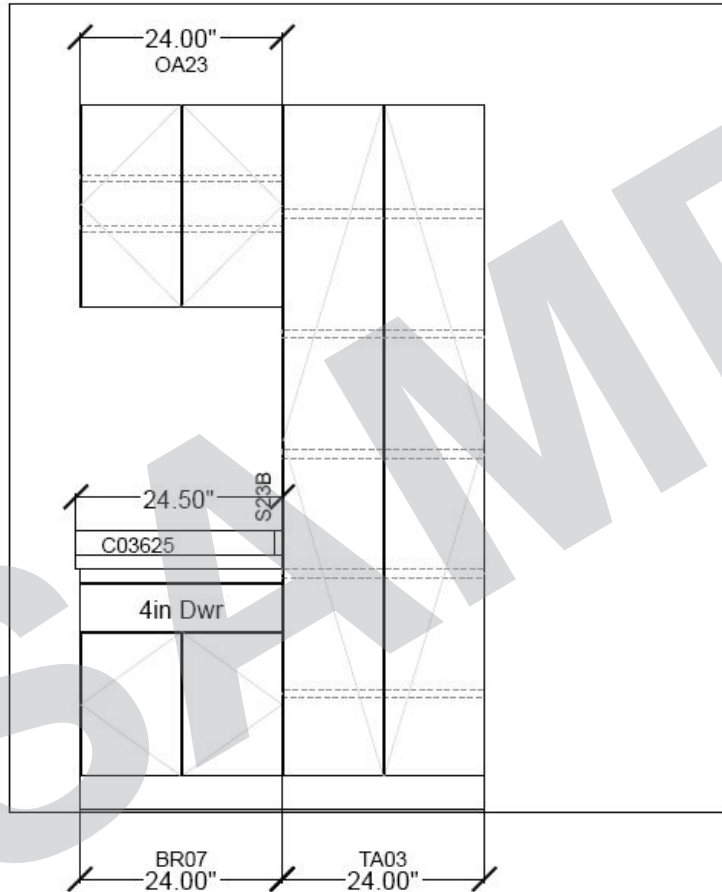
Project Name: [Order entry, Project name]	Cabinet Finish: 100-Undecided Solid Panel	Top Material: Laminate
Drawing #:	Panel Style: Serenity Panel	Top Color: 100-Undecided Laminate Color
Rev: entry, Date: 11/8/2014	Handle: Brushed Nickel Flare	Note:
Alternative:	Lock: None	Sink: None
Designer: [Sales person #1, Name]	Tasklight:	Faucet: None

Signed Drawings Required To Process Order

(Signature) _____ (Date) _____
 See Cover Page For Terms and Conditions

This drawing is the sole property of Midmark Corporation and is to be used for illustration only. Actual product appearance may vary.

Notes: Sink/Faucet not included



<Room Name>

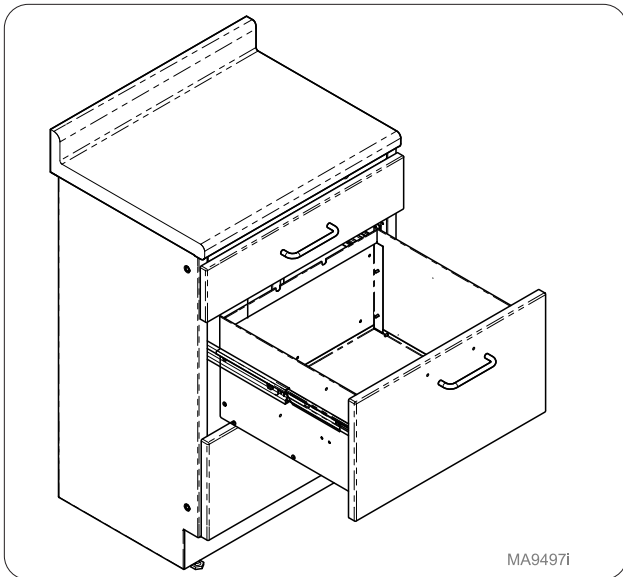
See Countertop Detail Sheet: A

21/35

A Synthesis® Cabinetry Collection Drawing (Room Layout) should be provided for each install. If Installer does not receive drawings please contact Midmark at 1-800-MIDMARK (643-6275)

TP200 Rev. A

Necessary Units to Secure



Equipment Alert

The 84" Tall Steri-Centers must be secured to wall. Installer must hit stud with at least one screw thru mounting slots in cabinet back (Hardware not supplied). Use molly where stud is not available.



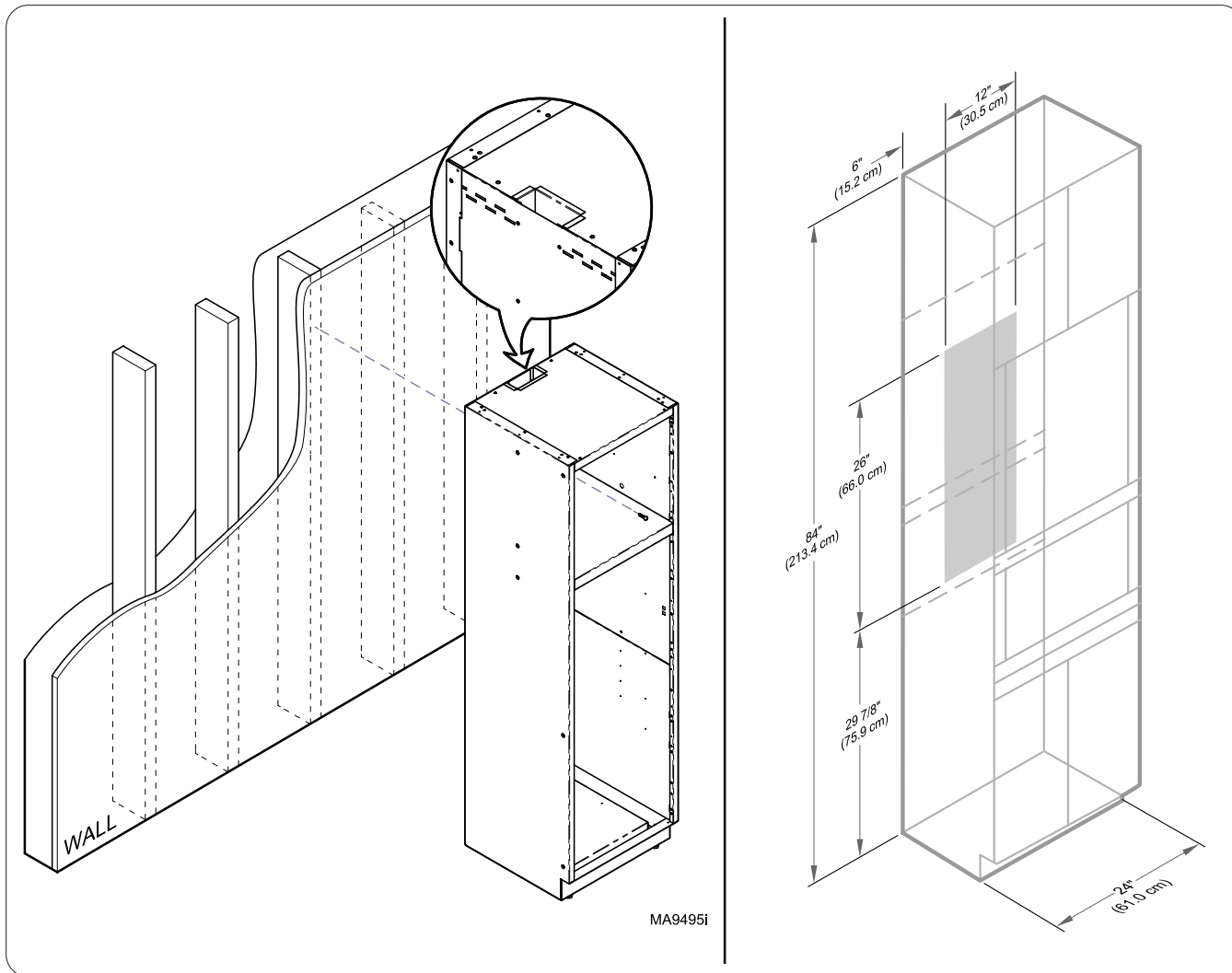
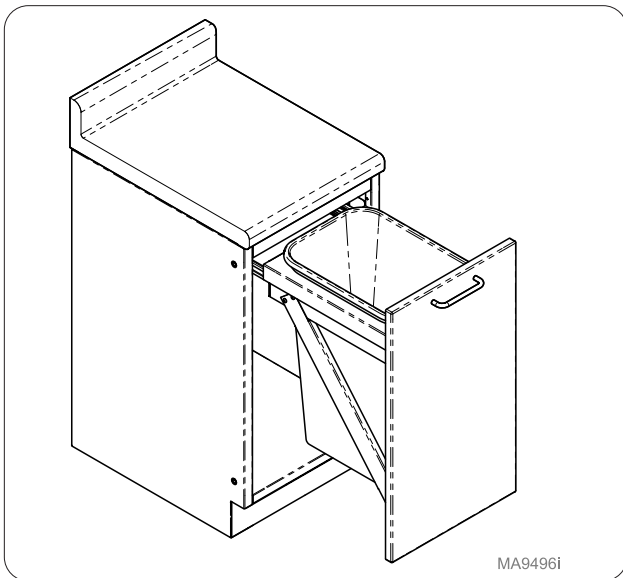
Caution

In 84" Storage Unit, drawers can be used to a height of 42" internally. Installing drawers any higher in cabinet shell increases the danger of tipping.



Caution

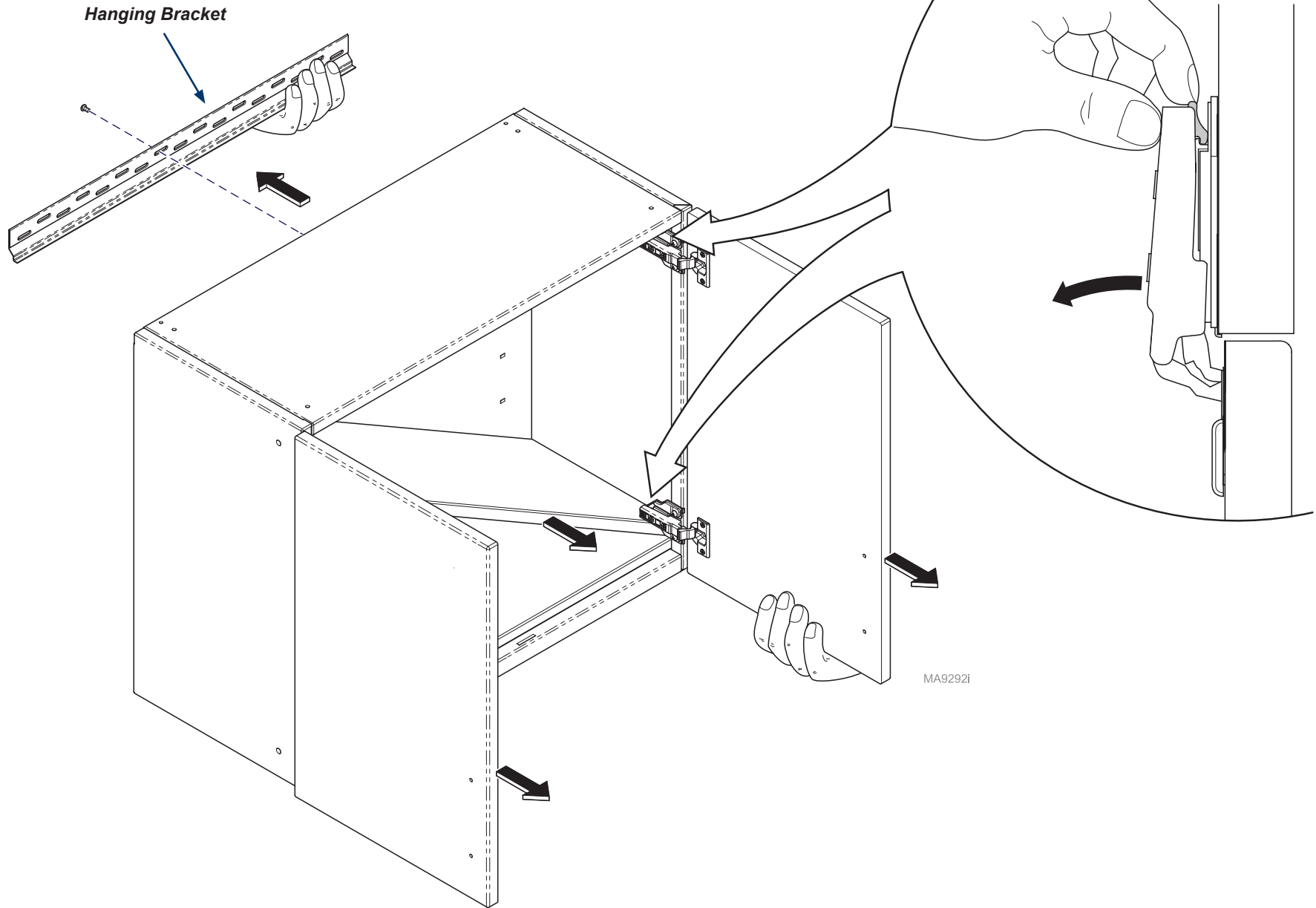
Base File Cabinet and Pull-Out Waste Cabinets must be attached to other cabinet(s) and/or attached to a wall to prevent cabinet from tipping when a file drawer or waste assembly is extended.



Note:

Access locations for 24" wide by 84" tall sterilizer cabinet are shown above. These access locations are the same on all three 84" Cabinetry configurations.

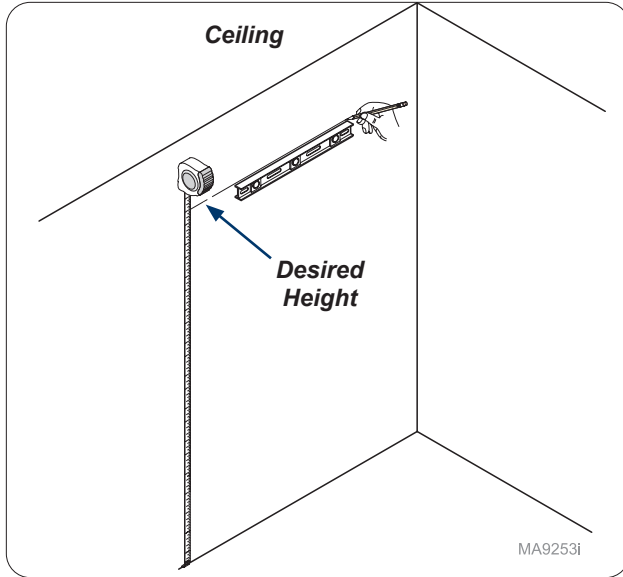
Overhead Installation



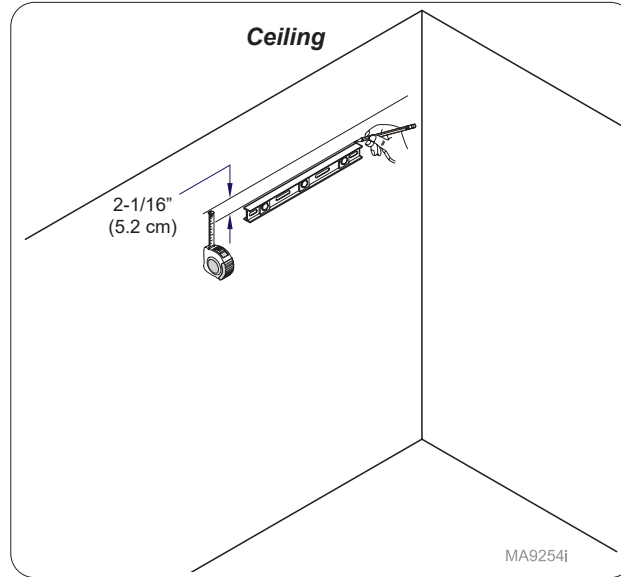
Step 1:
Remove hanging bracket, doors and shelves
(if applicable) for easier installation.

**A Synthesis® Cabinetry Collection Drawing (Room Layout)
should be provided for each install. If Installer does not receive
drawings please contact Midmark at 1-800-MIDMARK (643-6275)**

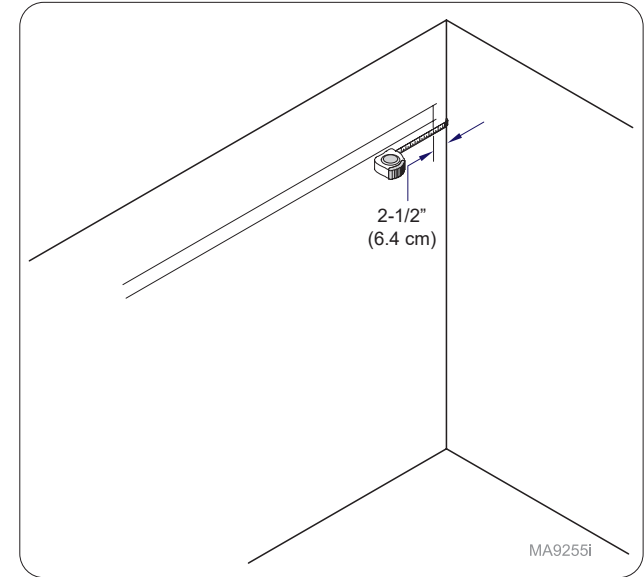
Overhead Installation



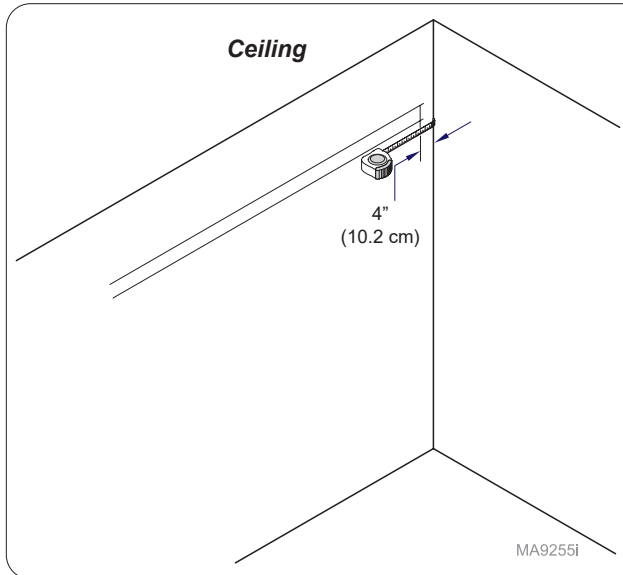
Step 2:
Measure up to mark desired height of overhead cabinet. Use level to extend line. **Note: See Room Layout page for desired height.**



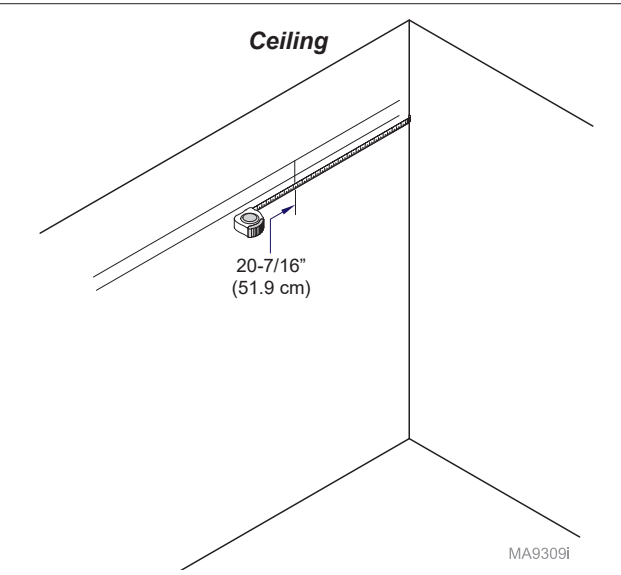
Step 3:
Measure 2-1/16" (5.2 cm) lower than the desired height of cabinet top and mark for bottom of hanging bracket. Extend line using level.



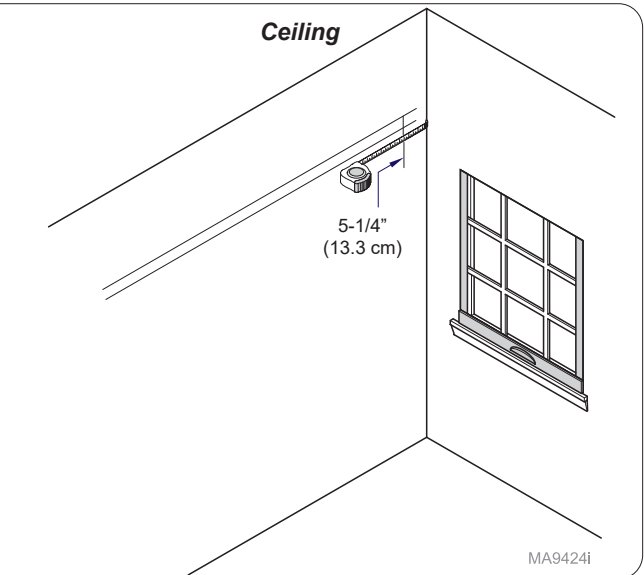
Step 4: w/ No Spacer
Measure 2-1/2" (6.4 cm) from corner of wall and mark for start of hanging bracket. **Note: Refer to steps below if a different variation is specified.**



Step 4: w/ Scribe
Measure 4" (10.2 cm) from corner of wall and mark for start of hanging bracket.

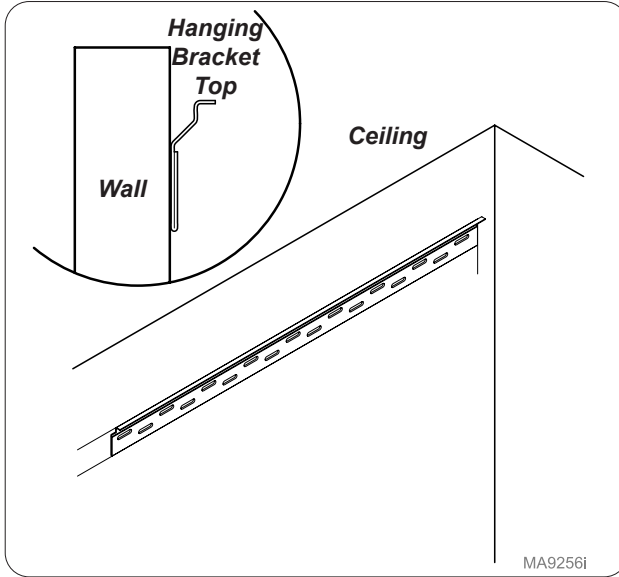


Step 4: w/ Overhead Corner Spacer
Measure 20-7/16" (51.9 cm) from corner of wall and mark for start of hanging bracket.



Step 4: w/ Window
Measure 5-1/4" (13.3 cm) from corner of wall and mark for start of hanging bracket.

Overhead Installation



MA9256i

Step 5:

Mount hanging bracket to wall using hardware (not supplied). **Note: It is important to refer to the Attention and Caution for this step.**

Attention:

Local, city, or national building codes should be followed before using midmark suggested fasteners for installation.

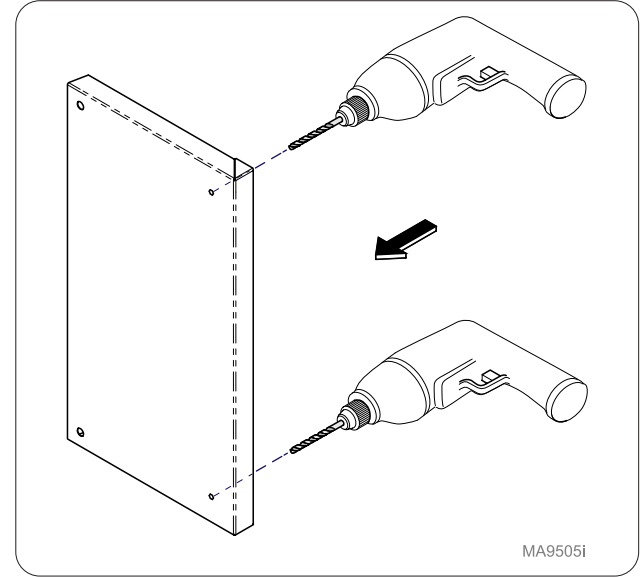
Note: Suggested Fasteners

- Stud walls (standard): #10 x 2 wood screws (coarse threaded).
- Steel studded walls: sheet metal #10 fine screws.
- Hollow type or masonry walls: #10 machine screw expansion anchors of adequate length. A 3/16" short molly or toggle may be used if pre-drilled.
- Rough solid concrete or brick wall: #10 round head wood screw or a specialized masonry fastener.



Caution

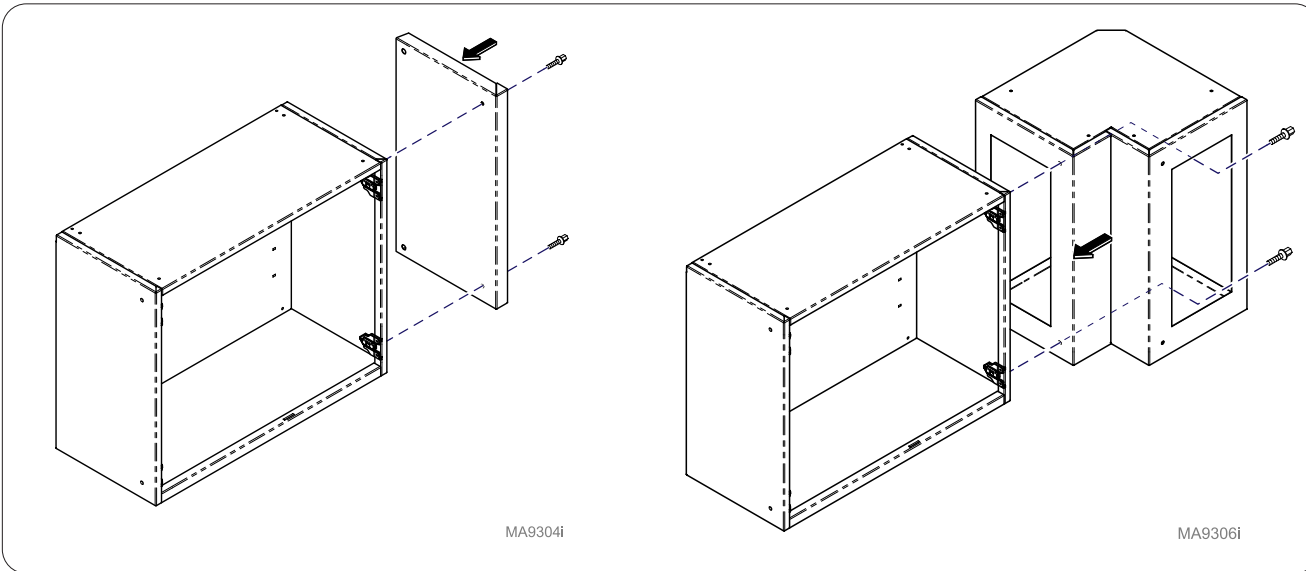
Installer must secure bracket to at least one stud and use wall anchors or toggles on any screws that cannot be secured to studs.



MA9505i

Step 6: Right Side Only

Drill out nutserts on scribe before attaching to right-hand side of unit. **Note: Use a 9/32" drill bit to drill out nutserts.**



MA9304i

MA9306i

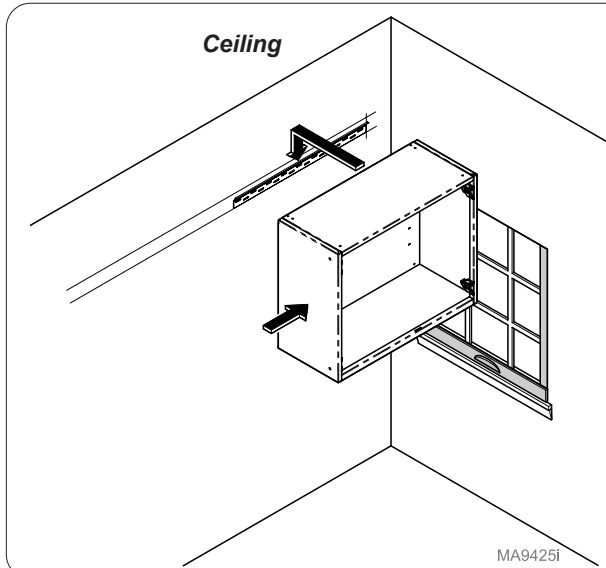
Step 7: w/ Scribe

Attach scribe to overhead unit using hex screws provided.

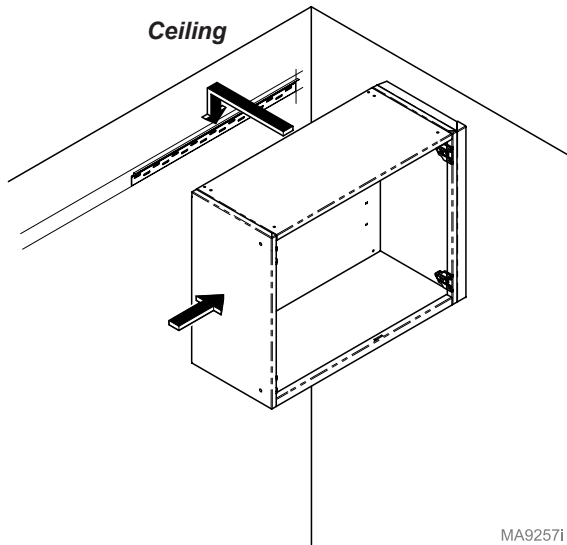
Step 7: w/ Overhead Corner Spacer

Attach corner bracket assembly to overhead unit using hex screws provided.

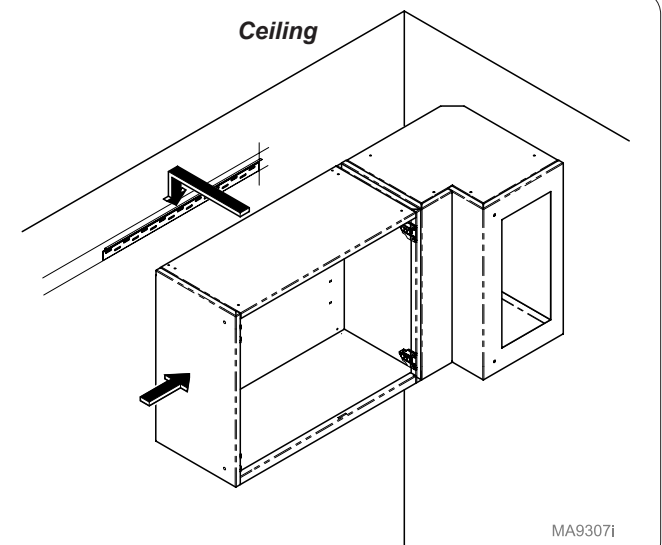
Overhead Installation



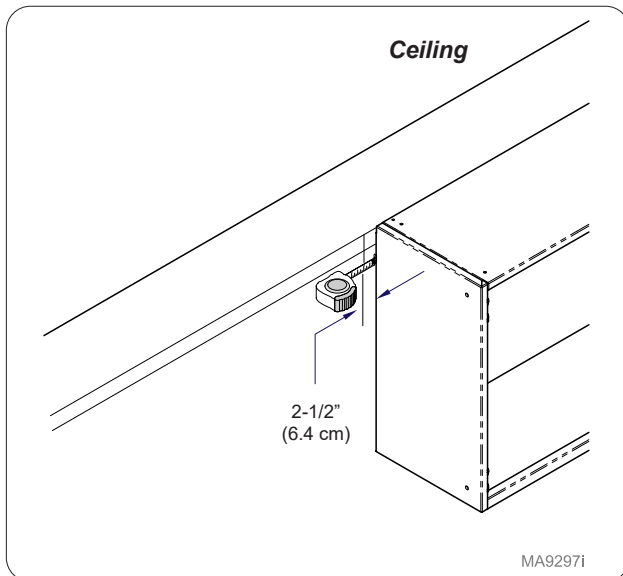
Step 8:
Place overhead unit onto hanging bracket. Adjust and level to desired position.



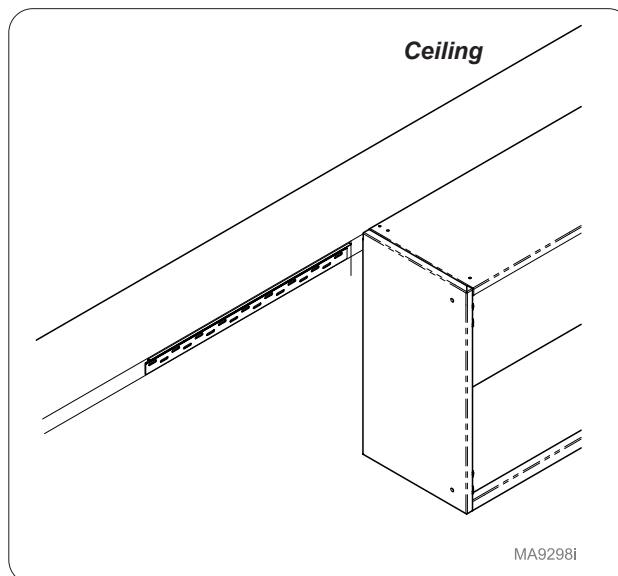
Step 8: w/ Scribe
Place overhead unit onto hanging bracket. Adjust and level to desired position. **Note: Make sure cabinet is pushed into corner.**



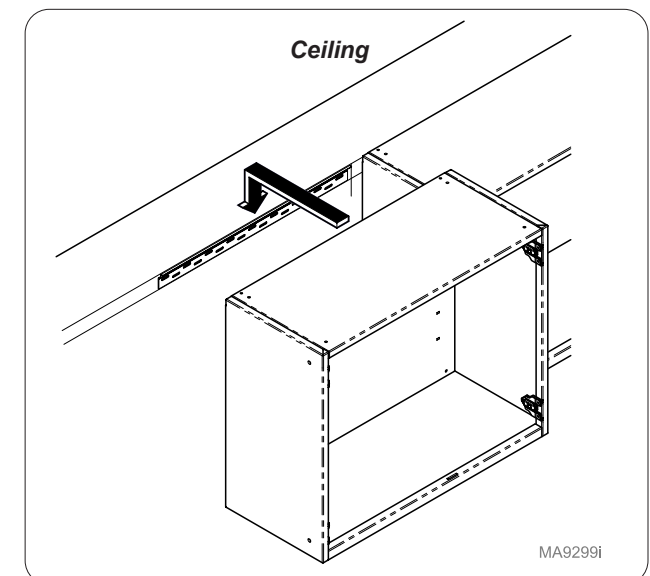
Step 8: w/ Overhead Corner Spacer
Place overhead unit onto hanging bracket. Adjust and level to desired position. **Note: Make sure cabinet is pushed into corner.**



Step 9: Attaching Additional Units
Measure 2-1/2" (6.35 cm) away from hung cabinet and mark.

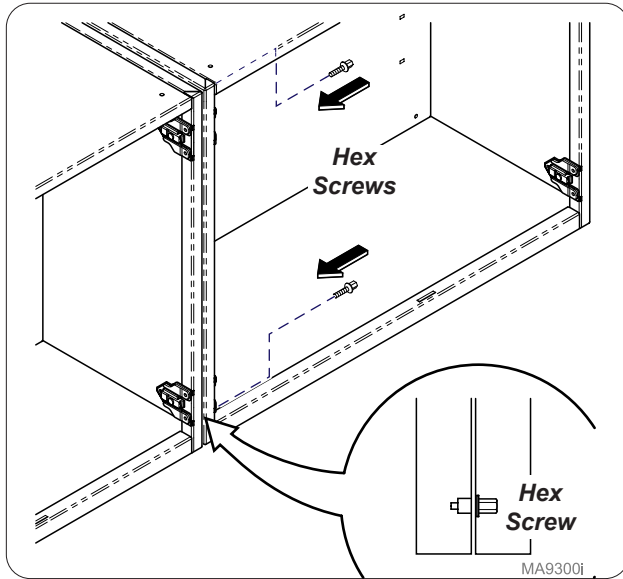


Step 10:
Mount hanging bracket to wall using hardware (not supplied). **Note: Refer to Caution and Note for step 5.**

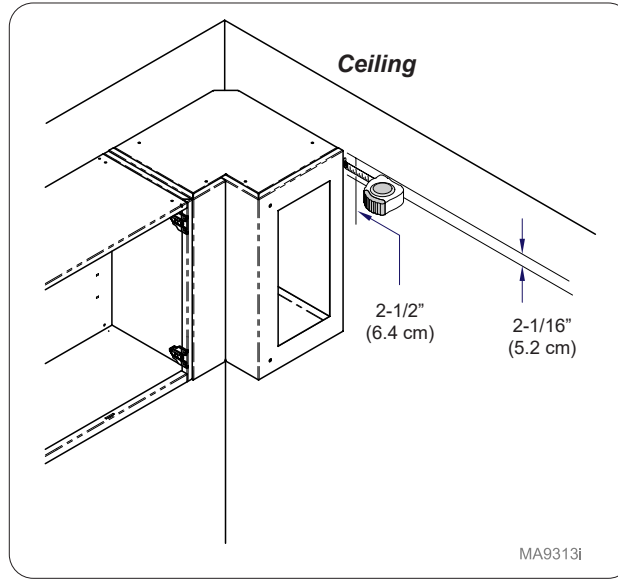


Step 11:
Place additional overhead unit onto hanging bracket.

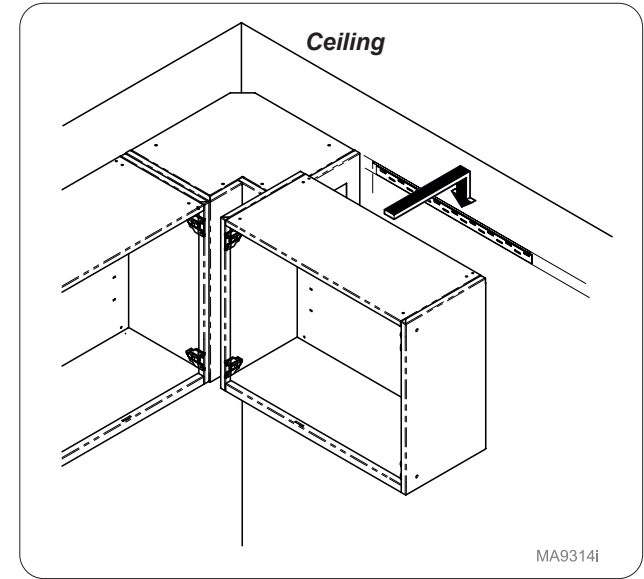
Overhead Installation



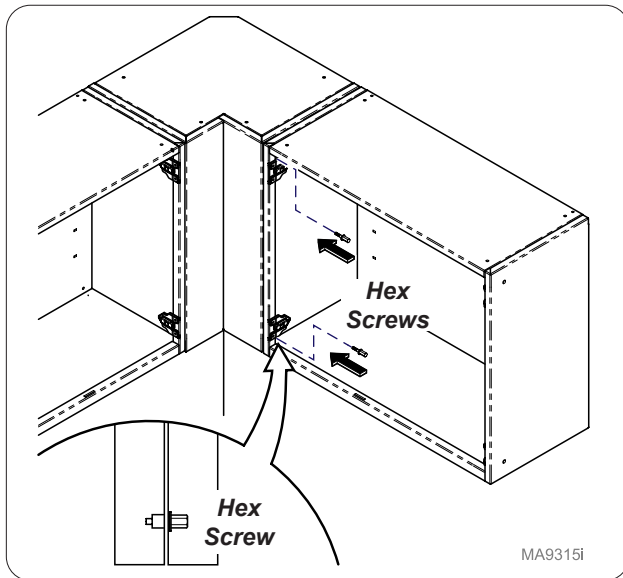
Step 12:
Secure overhead units using hex screws provided.
Note: Repeat steps 9 thru 12 as needed.



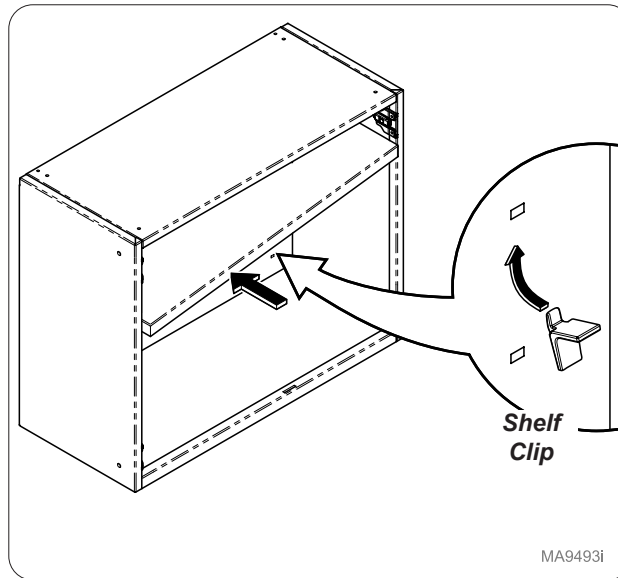
Step 13: w/ Corner Bracket Assembly
Measure 2-1/2" (6.4 cm) away from hung cabinet and mark. Secure hanging bracket to wall. **Note: Refer to Caution and Note for step 5.**



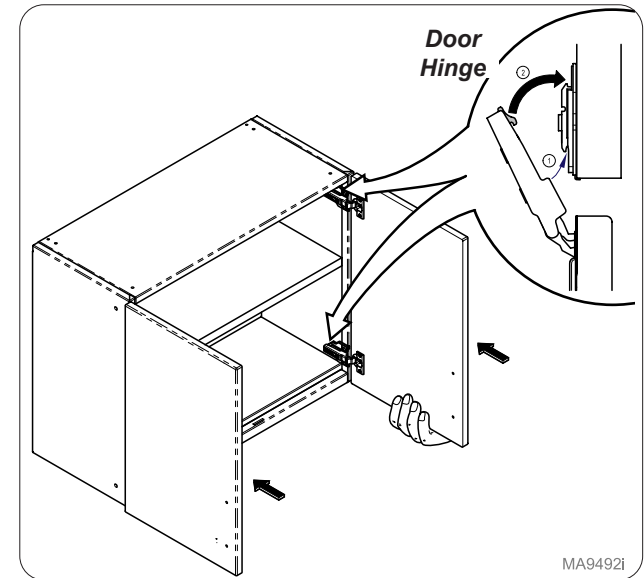
Step 14: w/ Corner Bracket Assembly
Place additional overhead unit onto hanging bracket.



Step 15: w/ Corner Bracket Assembly
Secure overhead units with hex screws provided.
Note: Repeat steps 9 thru 12 as needed.

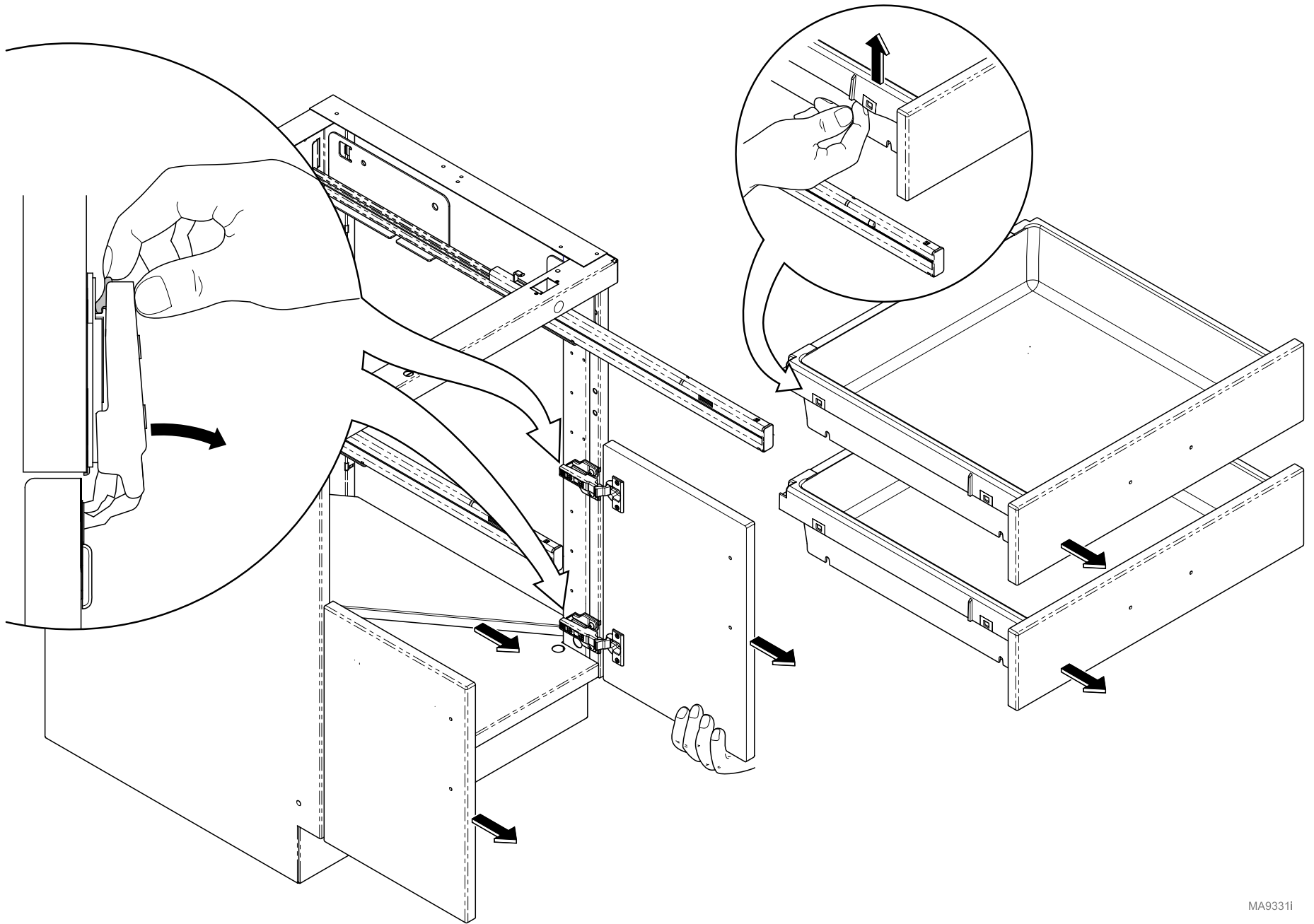


Step 16:
Tilt shelf to fit into cabinet as shown. Install shelf clips and place shelf on top of clips.



Step 17:
Reinstall all cabinet doors. **Note: If sloping tops are specified, install them before any base units.**

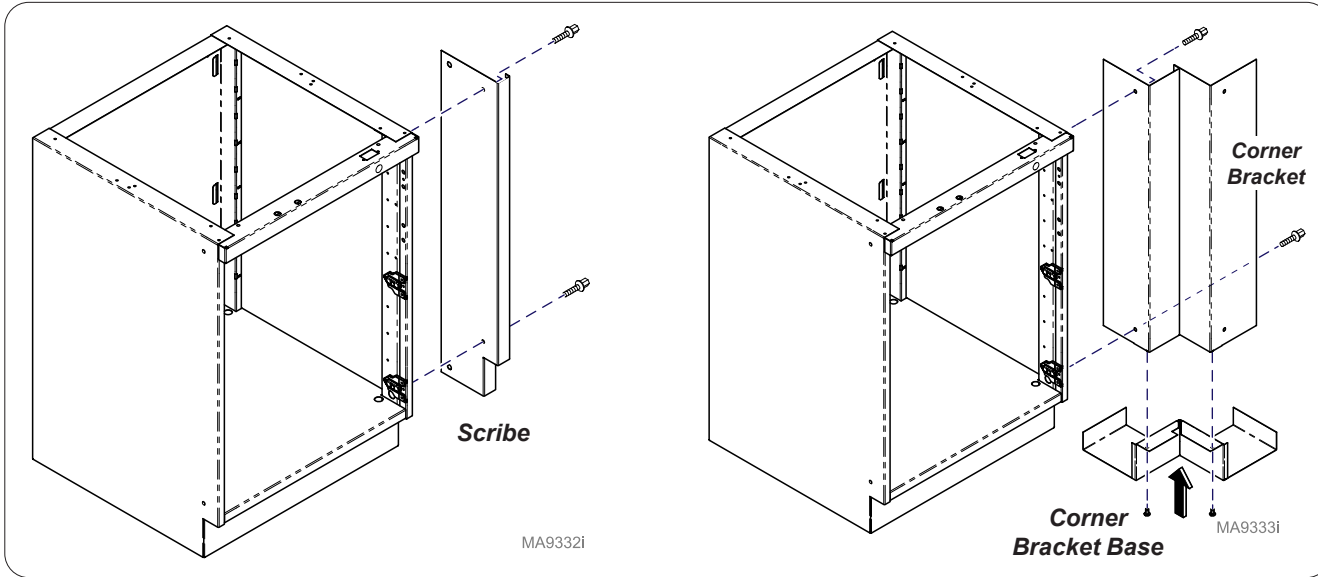
Base Unit Installation



Step 1: Optional
Remove drawers, doors and shelves
(if applicable) for easier installation.

**A Synthesis® Cabinetry Collection Drawing (Room Layout)
should be provided for each install. If Installer does not receive
drawings please contact Midmark at 1-800-MIDMARK (643-6275)**

Base Unit Installation



MA9332i

MA9333i

Step 2: w/ Scribe

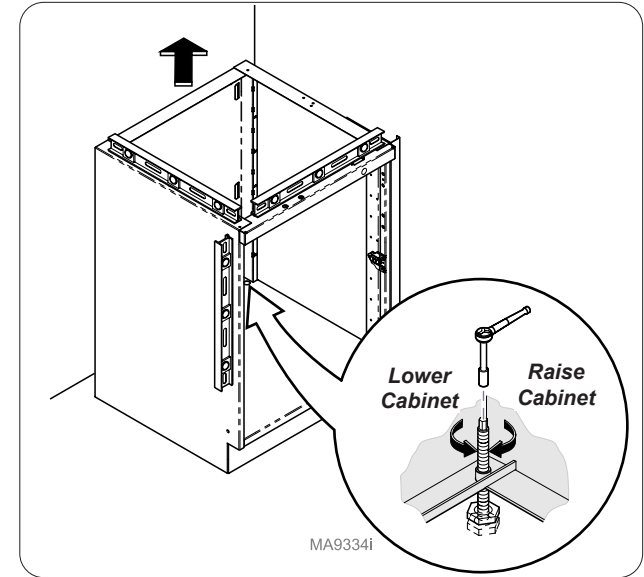
Attach scribe to base unit using hex screws provided.

Note: Skip to step 3 w/ Scribe.

Step 2: w/ Corner Bracket

Attach corner bracket base to corner bracket. Then attach corner bracket assembly to base unit using hex screws provided.

Note: Skip to step 3 w/ Corner Bracket.

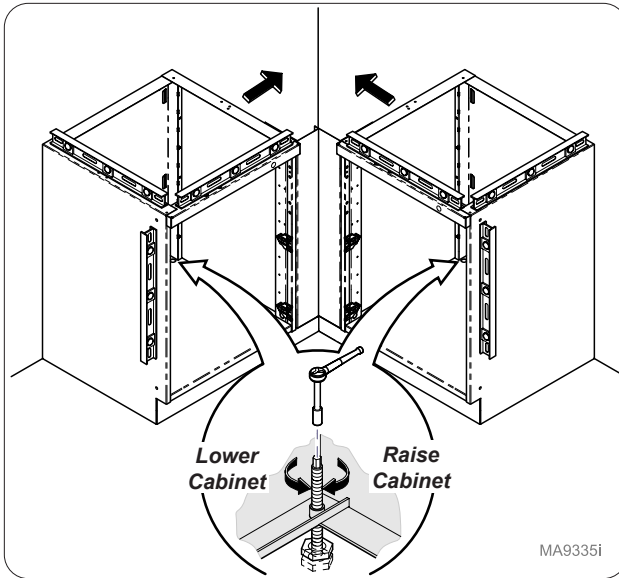


MA9334i

Step 3: w/ Scribe

Move unit into place and level as shown. Make sure all feet are in contact with the floor.

Note: Skip to step 8 for attaching additional units.

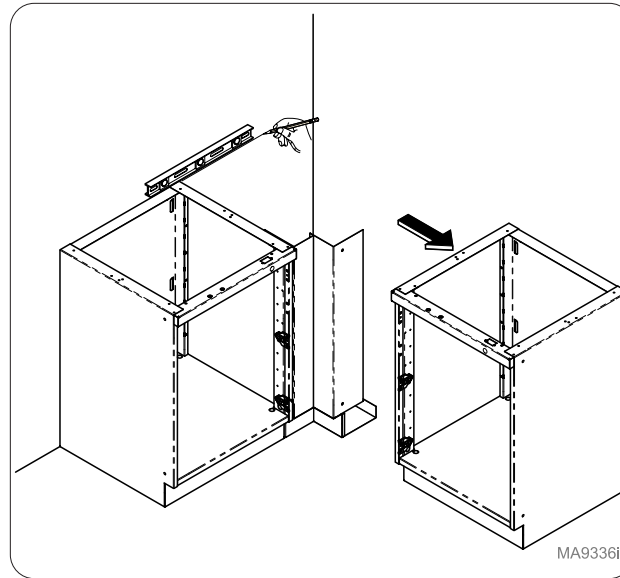


MA9335i

Step 3: w/ Corner Bracket

Move both base units into corner for positioning purposes and level as shown. Make sure all feet are in contact with the floor.

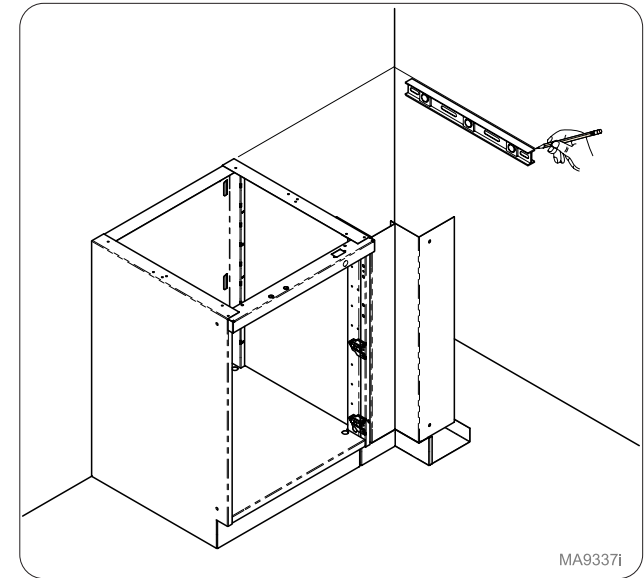
Note: Do not attach 2nd unit.



MA9336i

Step 4: w/ Corner Bracket

Move unattached base unit away and mark for top of corner supports.

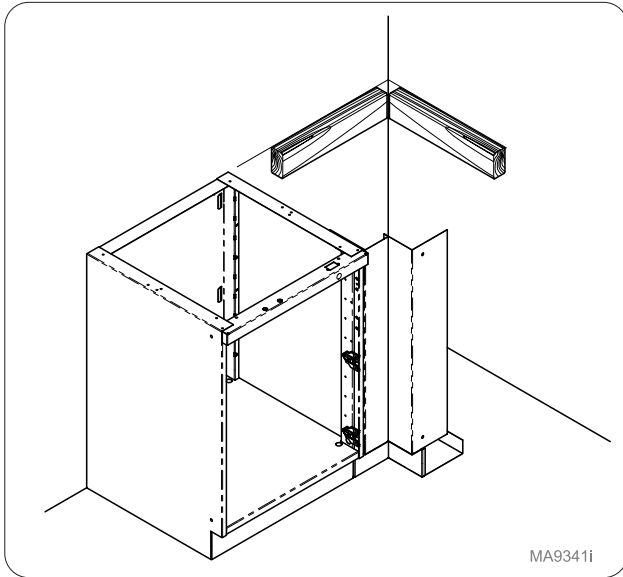


MA9337i

Step 5: w/ Corner Bracket

Use level to continue previous mark onto adjoining wall.

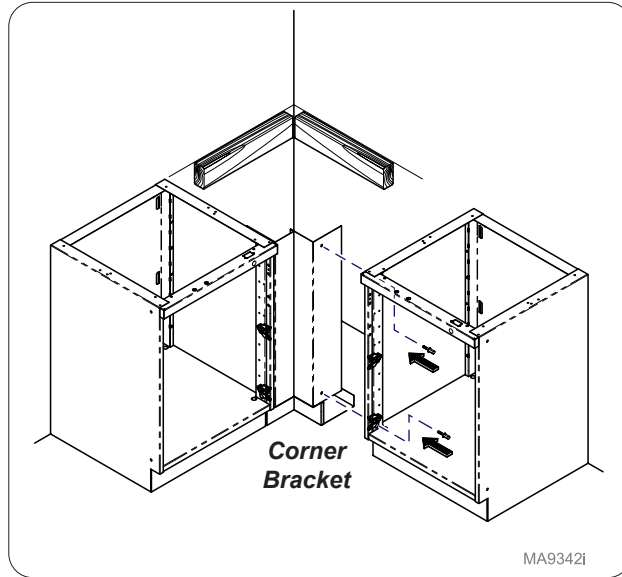
Base Unit Installation



MA9341i

Step 6: w/ Corner Bracket

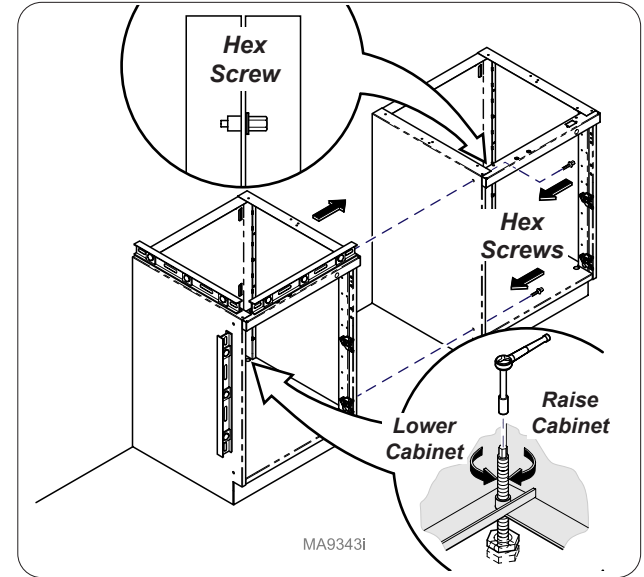
Mount corner support for countertop to wall using hardware (not supplied). **Note: Secure to studs where possible.**



MA9342i

Step 7: w/ Corner Bracket

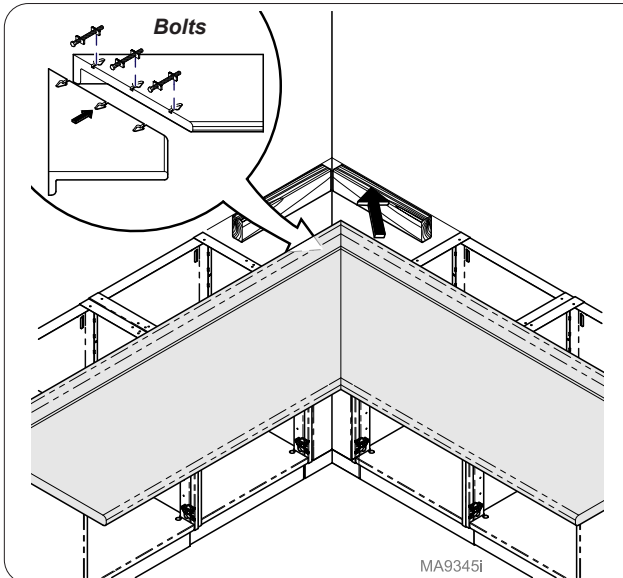
Attach other base unit to corner bracket.



MA9343i

Step 8: Attaching Additional Units

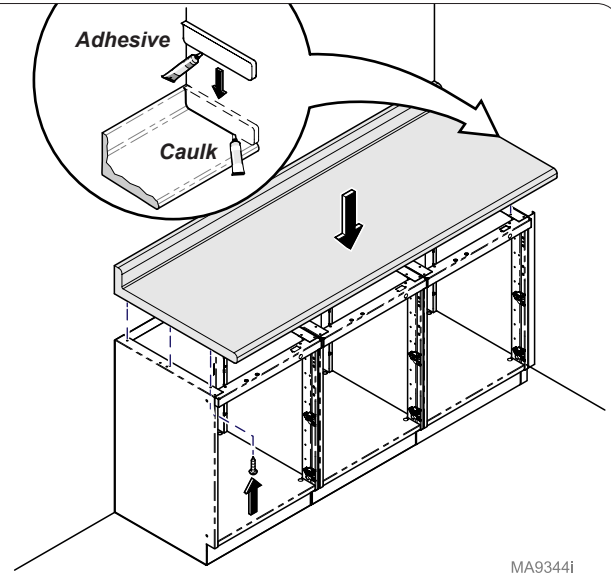
Move additional unit into place and level as shown. Make sure all feet are in contact with the floor. Attach using hex screws provided. **Note: Repeat this step as needed.**



MA9345i

Step 9: w/ Corner Bracket

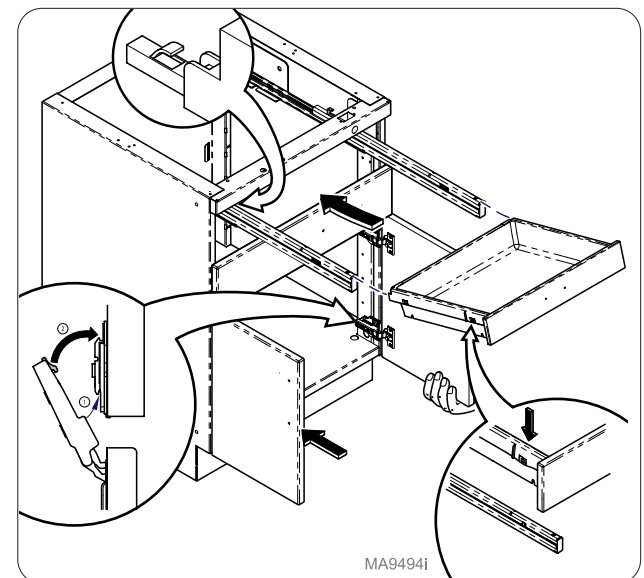
Assemble corner countertop by lining up slots on the underside of countertop then install & tighten bolts. **Note: 2 people are needed for this install**



MA9344i

Step 9: w/ Scribe

Secure countertop to cabinet using (#10 x 3/4") wood screws along front and sides of cabinet. Install side splash in corner (if applicable). **Note: Refer to Countertop Install.**

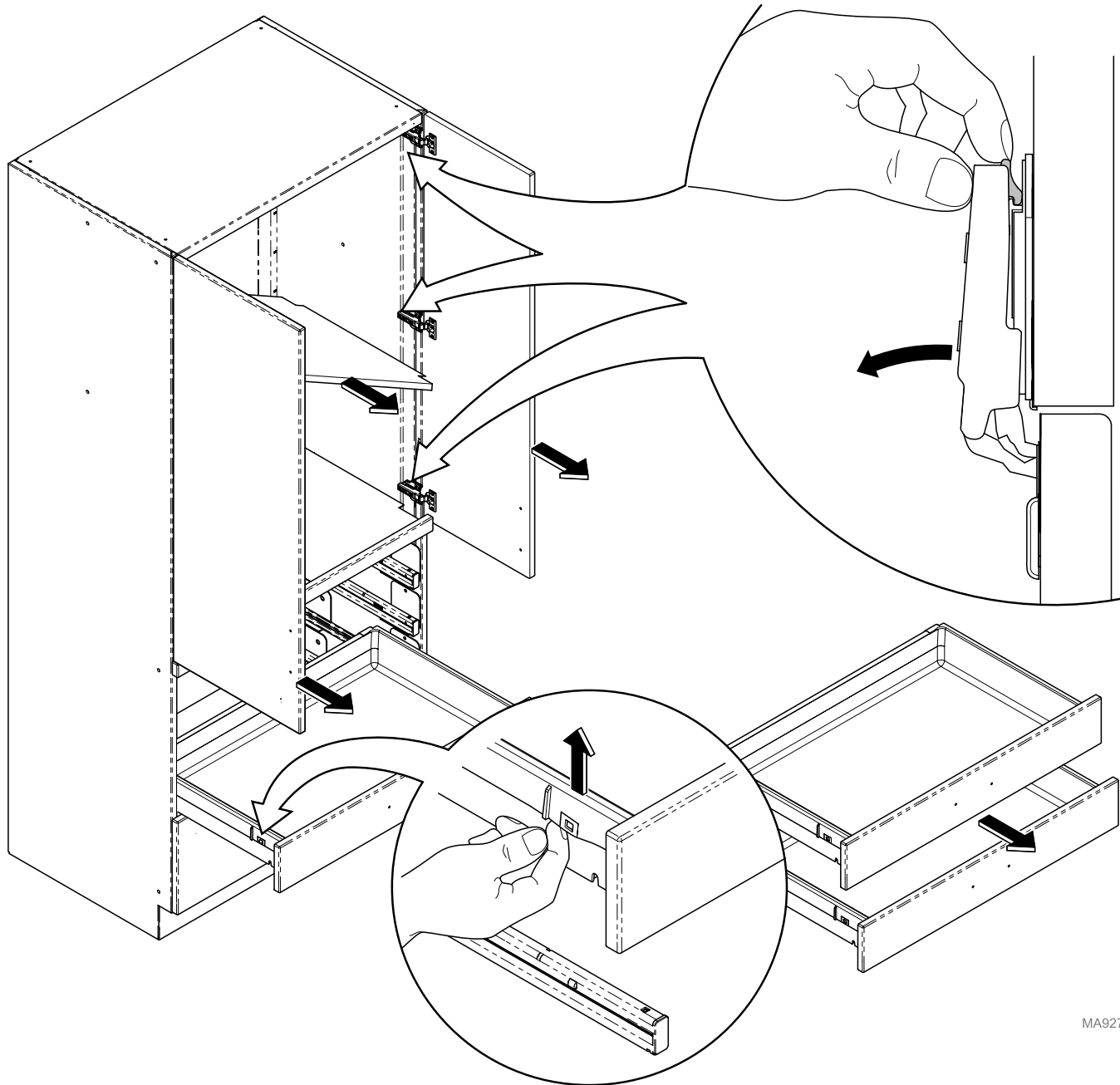


MA9494i

Step 10:

Reinstall drawers and doors as shown.

84" & 72" Tall Unit Installation

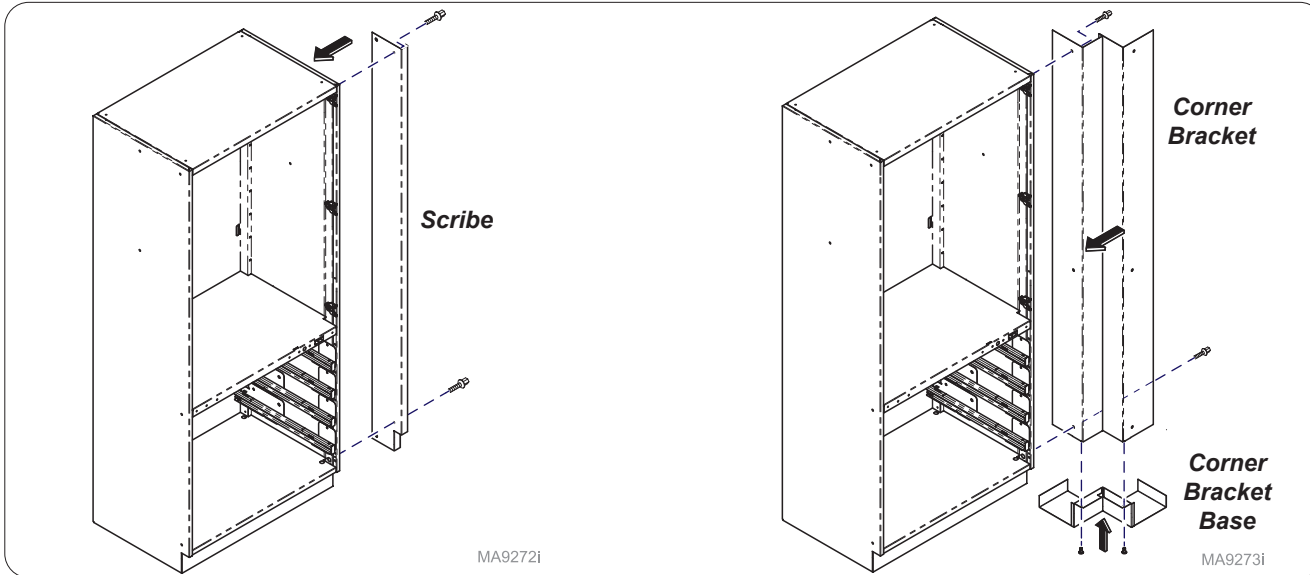


MA92771

Step 1:
Remove drawers, doors and shelves
(if applicable) for easier installation.

**A Synthesis® Cabinetry Collection Drawing (Room Layout)
should be provided for each install. If Installer does not receive
drawings please contact Midmark at 1-800-MIDMARK (643-6275)**

84" & 72" Tall Unit Installation

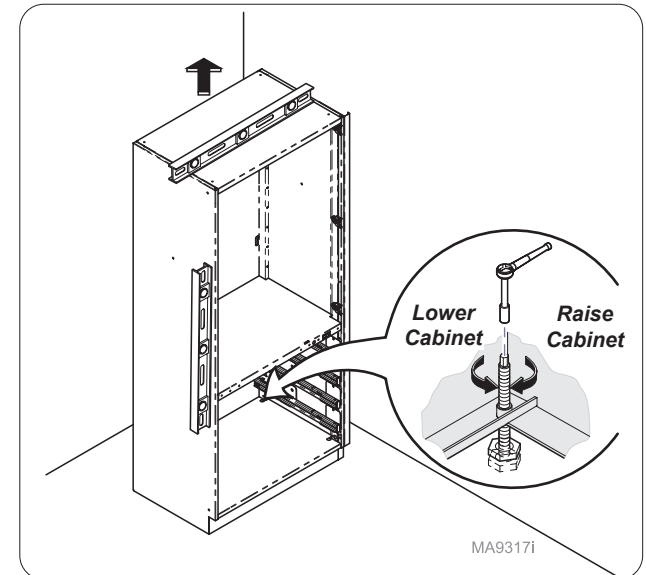


Step 2: w/ Scribe

Attach scribe to tall unit using hex screws provided.
Note: Skip to step 3 w/ Scribe.

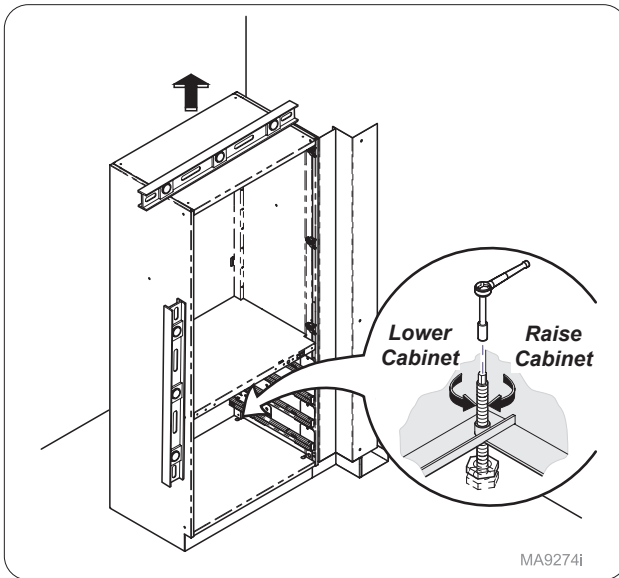
Step 2: w/ Corner Bracket

Attach corner bracket to tall unit using hex screws provided.
Note: Skip to step 3 w/ Corner Bracket.



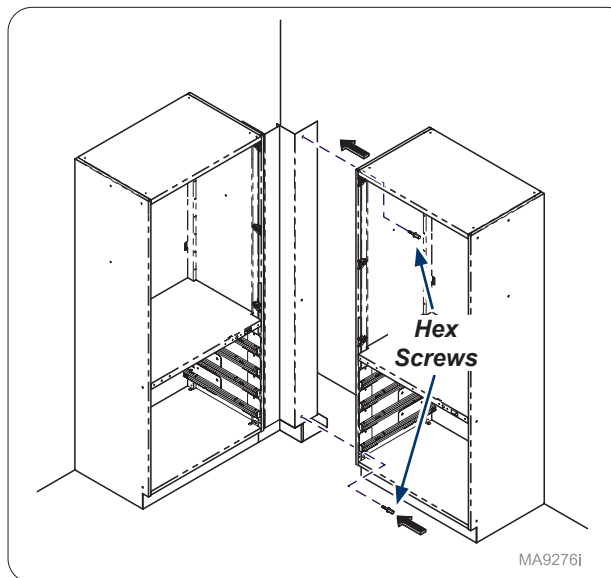
Step 3: w/ Scribe

Move unit into place and level as shown. Make sure all feet are in contact with the floor.
Note: Skip to step 5 for attaching additional units.



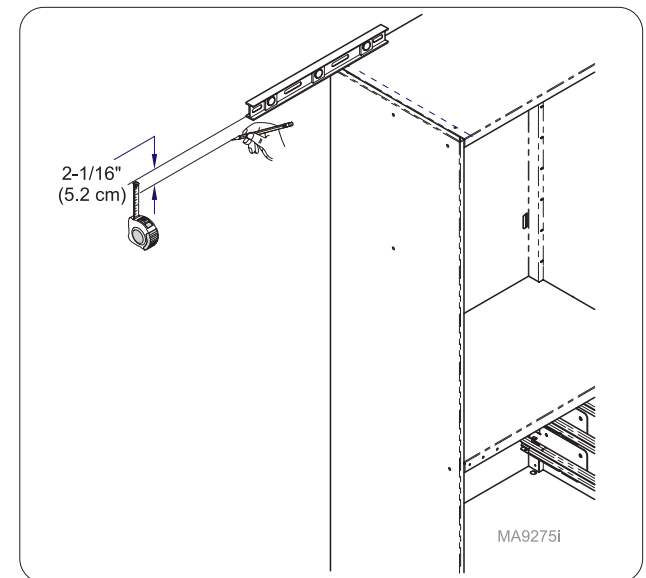
Step 3: w/ Corner Bracket

Move unit into place and level as shown. **Note: Make sure all feet are in contact with the floor.**



Step 4: w/ Corner Bracket

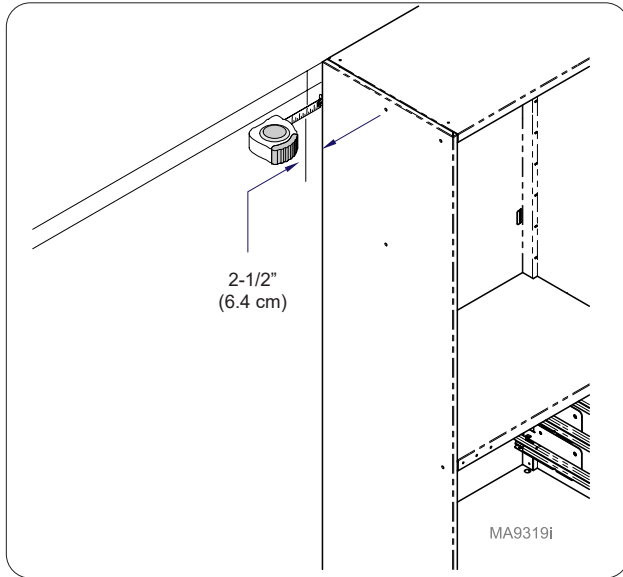
Move second tall unit into place, level and secure to corner bracket using hex screws provided.



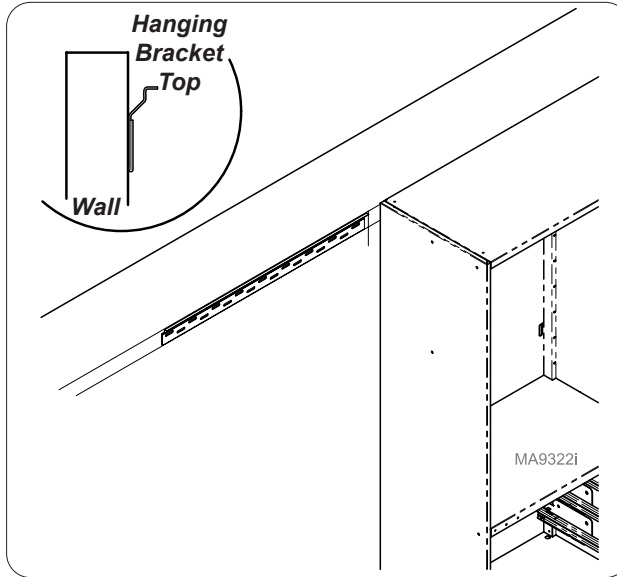
Step 5: Attaching Overhead Units

Measure 2-1/16" (5.2 cm) lower than the top of tall unit and mark for bottom of hanging bracket. Use level to extend lines.

84" & 72" Tall Unit Installation



Step 6:
Measure 2-1/2" (6.4 cm) from tall unit and mark for start of hanging bracket.



Step 7:
Mount hanging bracket to wall using hardware (not supplied). **Note: It is important to refer to the Attention and Caution for this step.**

Attention:

Local, city, or national building codes should be followed before using midmark suggested fasteners for installation.

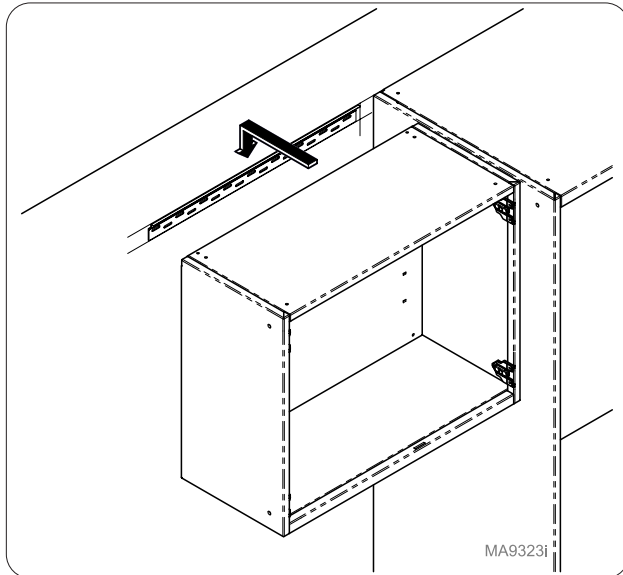
Note: Suggested Fasteners

- Stud walls (standard): #10 x 2 wood screws (coarse threaded).
- Steel studded walls: sheet metal #10 fine screws.
- Hollow type or masonry walls: #10 machine screw expansion anchors of adequate length. A 3/16" short molly or toggle may be used if pre-drilled.
- Rough solid concrete or brick wall: #10 round head wood screw or a specialized masonry fastener.

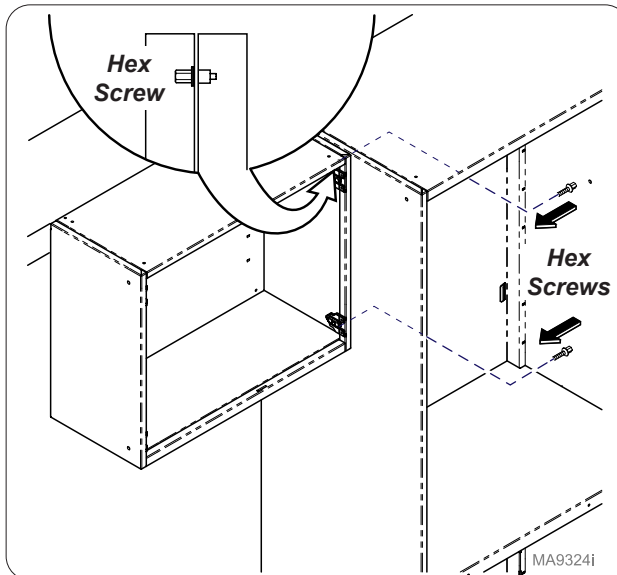


Caution

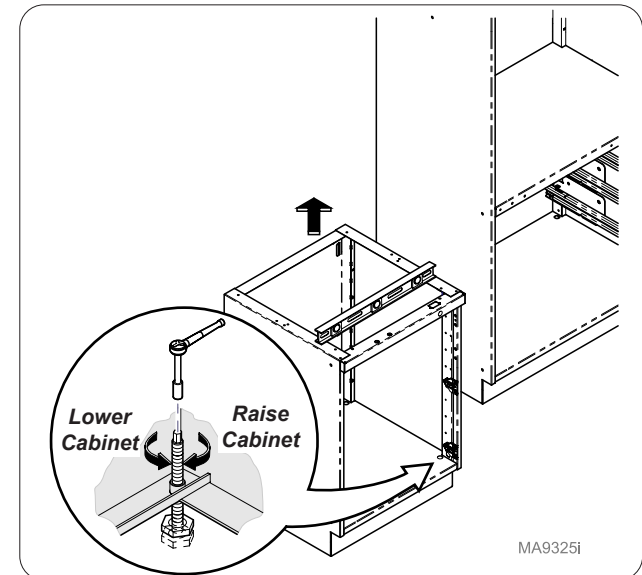
Installer must secure bracket to at least one stud and use wall anchors or toggles on any screws that cannot be secured to studs.



Step 8:
Place overhead unit onto hanging bracket.

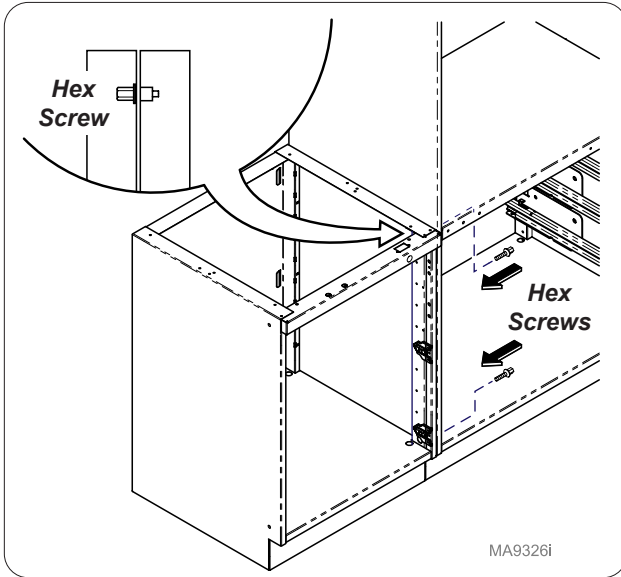


Step 9:
Secure overhead cabinet to tall unit using hex screws provided. **Note: Repeat steps 6 thru 9 as needed.**

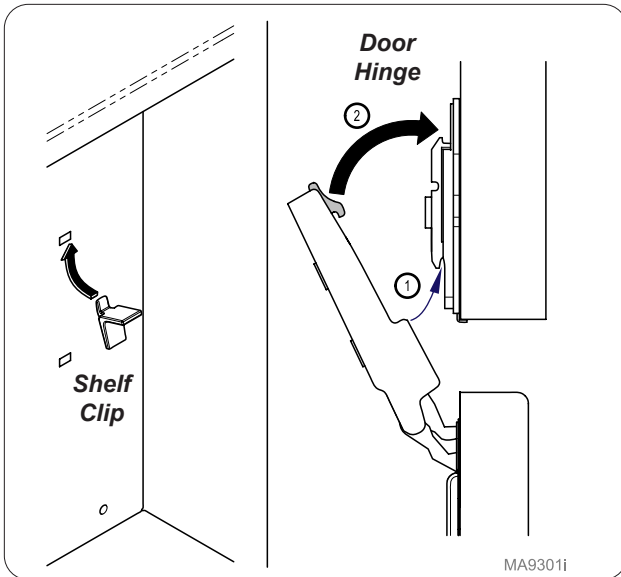


Step 10: Adding Base Units
Move base unit into place and level as shown. **Note: Make sure all feet are in contact with the floor.**

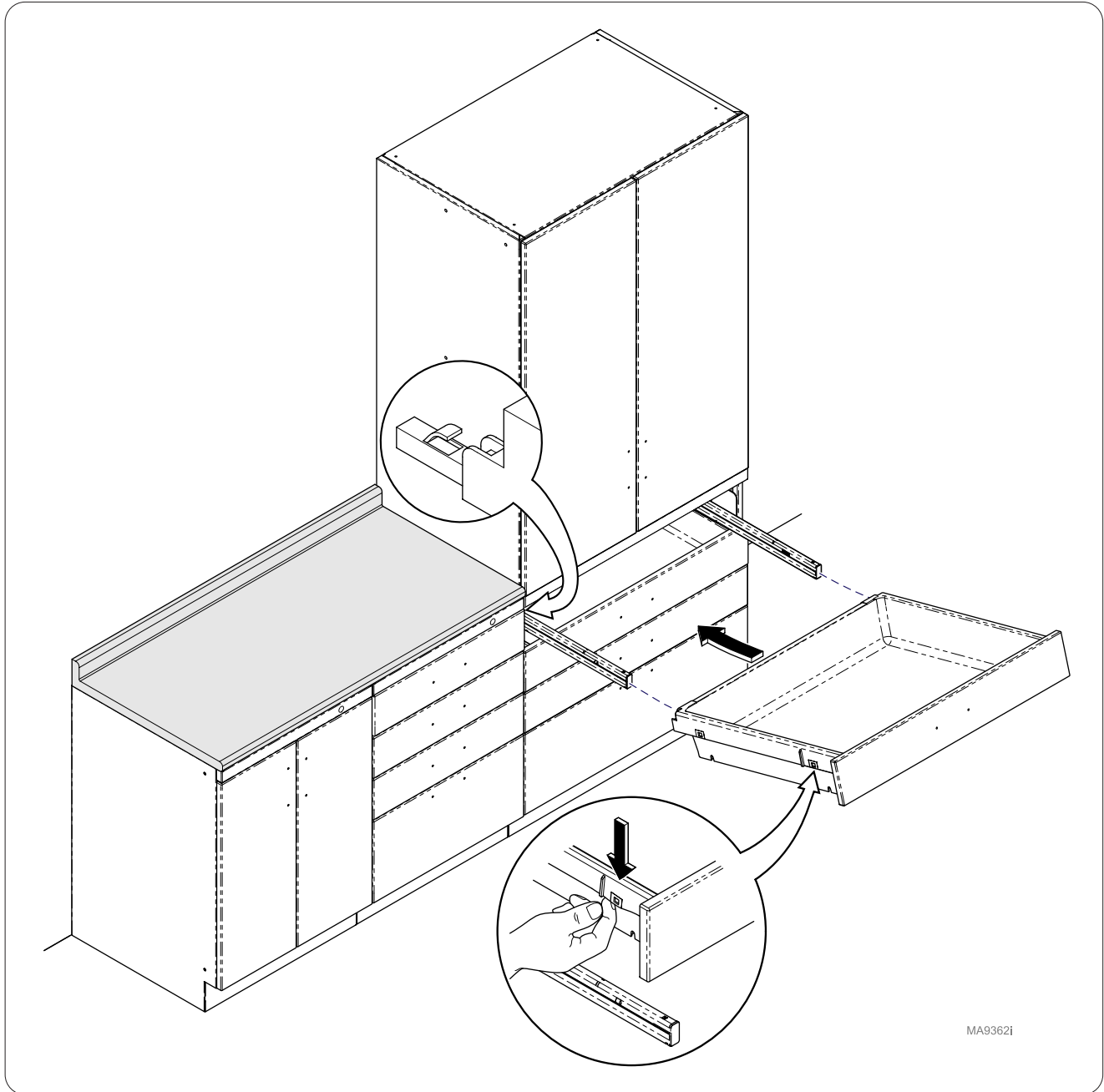
84" & 72" Tall Unit Installation



Step 11:
Secure lower cabinet to tall unit using hex screws provided.
Note: Repeat steps 10 & 11 as needed.

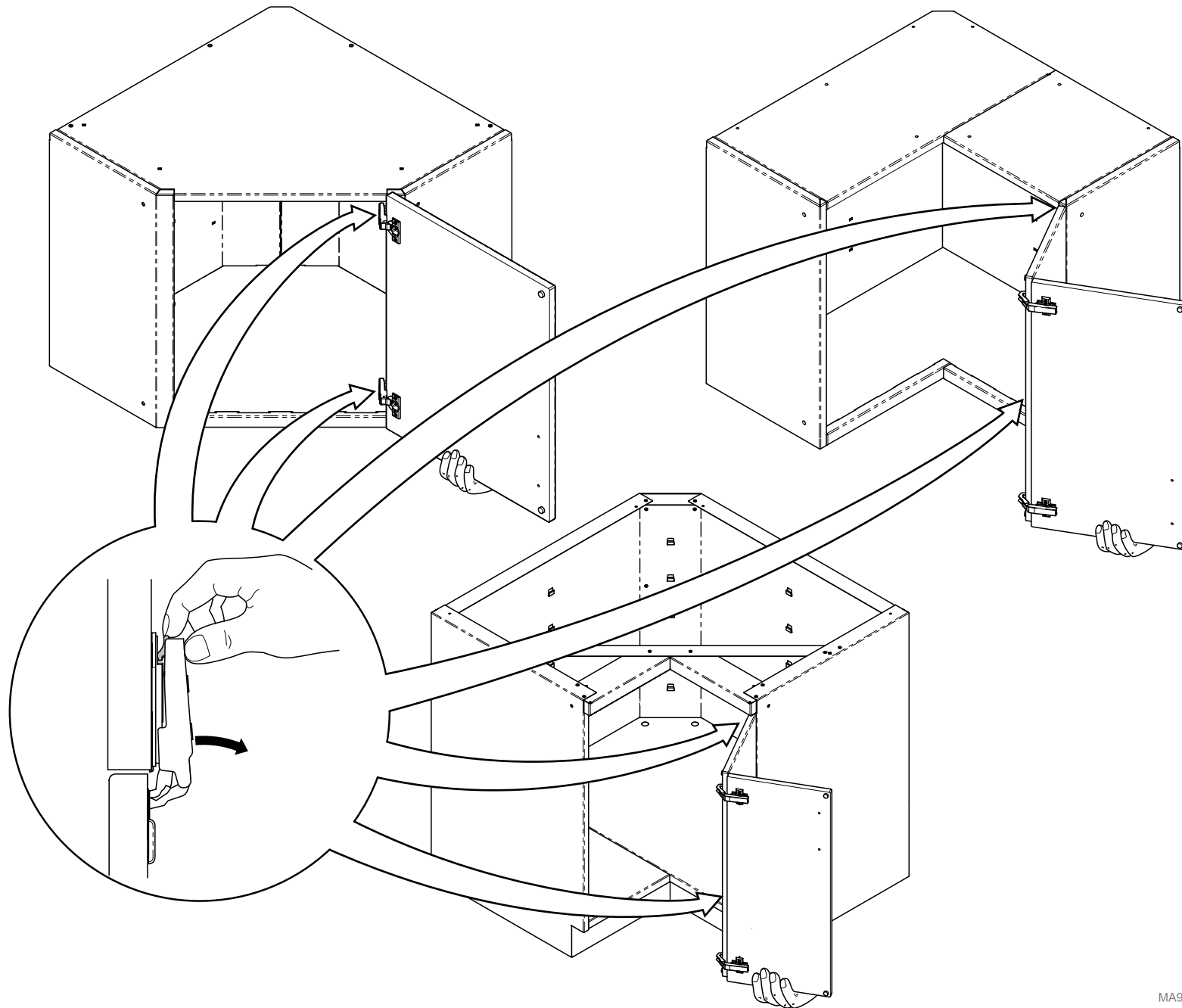


Step 12:
Tilt shelves to fit into cabinet and install shelf clips as shown. Reattach all doors as shown.



Step 13:
Reinstall drawers into cabinet as shown.

Corner Overhead & Base Unit Installation

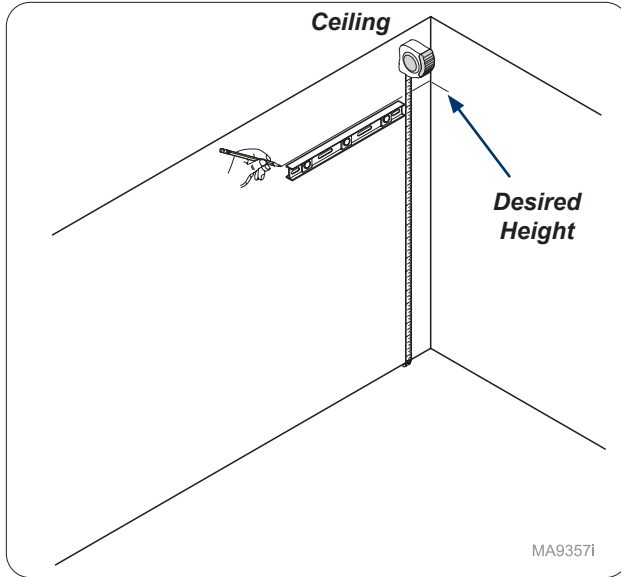


MA9371-1i

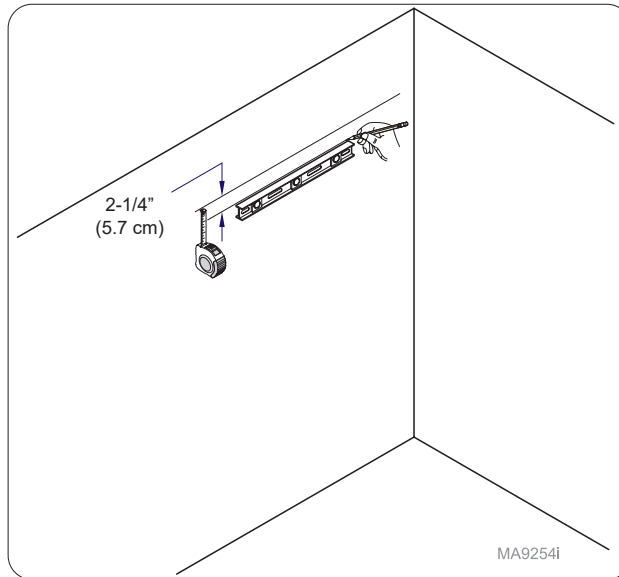
Step 1:
Remove doors and shelves (if necessary)
for easier installation.

**A Synthesis® Cabinetry Collection Drawing (Room Layout)
should be provided for each install. If Installer does not receive
drawings please contact Midmark at 1-800-MIDMARK (643-6275)**

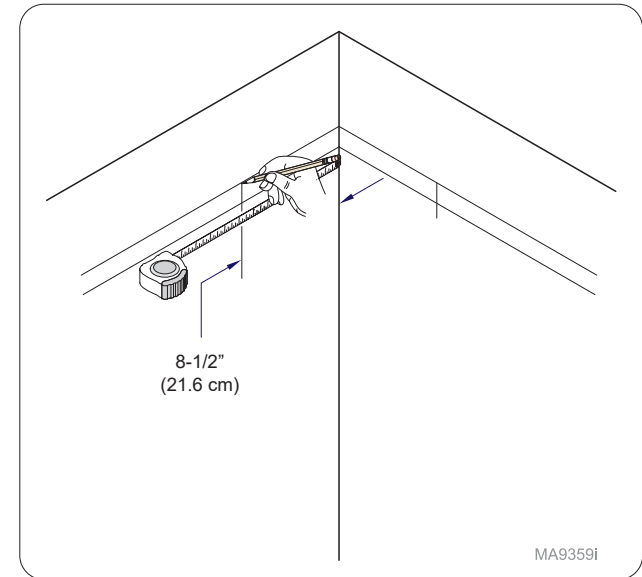
Corner Overhead Unit Installation



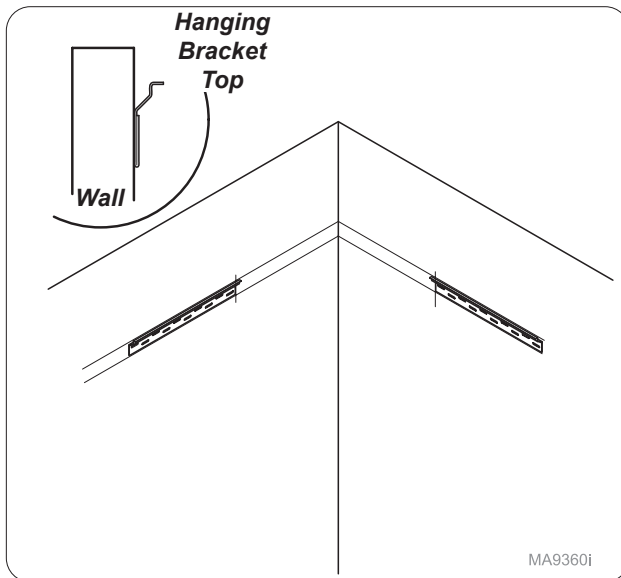
Step 2: Corner Overhead Unit
Mark desired height for the corner overhead unit.
Note: Corner Base Install



Step 3:
Measure 2-1/4" (5.7 cm) down from desired height for bottom of hanging bracket. Extended line using level.



Step 4:
Measure 8-1/2" (21.6 cm) from corner of wall and mark.



Step 5:
Mount hanging brackets to wall with hardware (not supplied). **Note: It is important to refer to the Attention and Caution for this step.**

Attention:

Local, city, or national building codes should be followed before using midmark suggested fasteners for installation.

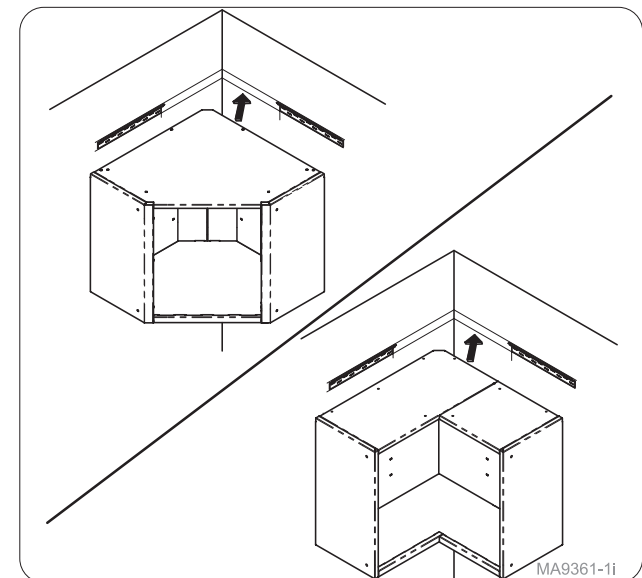
Note: Suggested Fasteners

- Stud walls (standard): #10 x 2 wood screws (coarse threaded).
- Steel studded walls: sheet metal #10 fine screws.
- Hollow type or masonry walls: #10 machine screw expansion anchors of adequate length. A 3/16" short molly or toggle may be used if pre-drilled.
- Rough solid concrete or brick wall: #10 round head wood screw or a specialized masonry fastener.



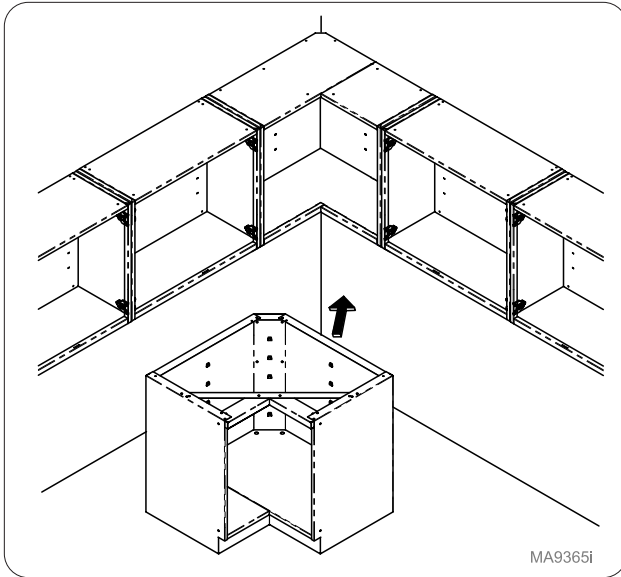
Caution

Installer must secure bracket to at least one stud and use wall anchors or toggles on any screws that cannot be secured to studs.



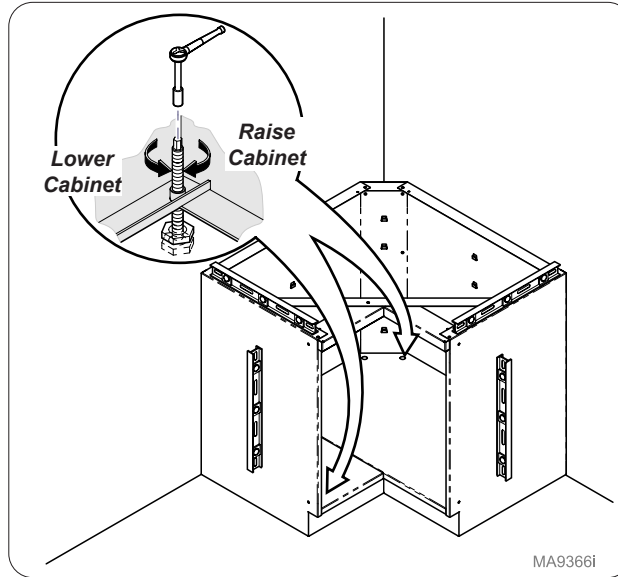
Step 6:
Place overhead unit onto hanging bracket. **Note: Refer to Overhead Installation for attaching additional overhead units.**

90° Corner Base and Overhead Unit Installation



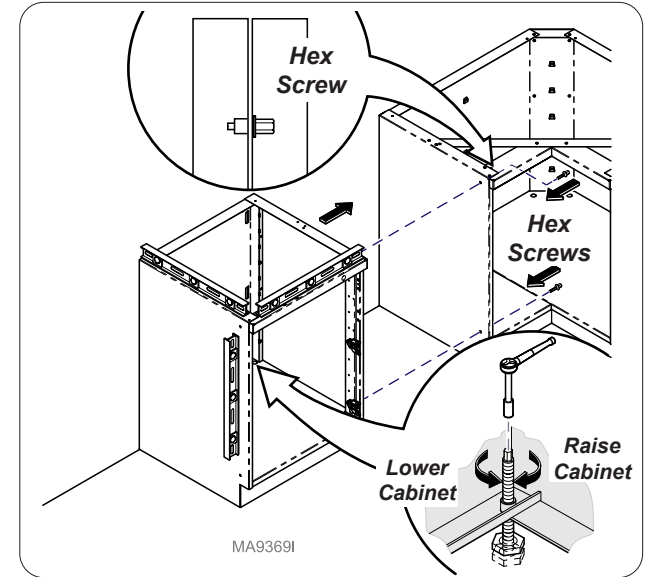
MA9365i

Step 1: Corner Base Unit
Move corner base unit into place.



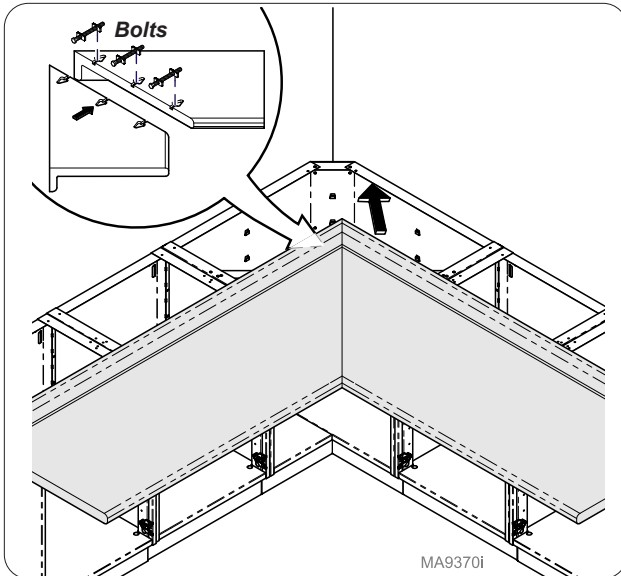
MA9366i

Step 2:
Adjust leveling feet as shown to level unit.
Note: Make sure all feet are in contact with the floor.



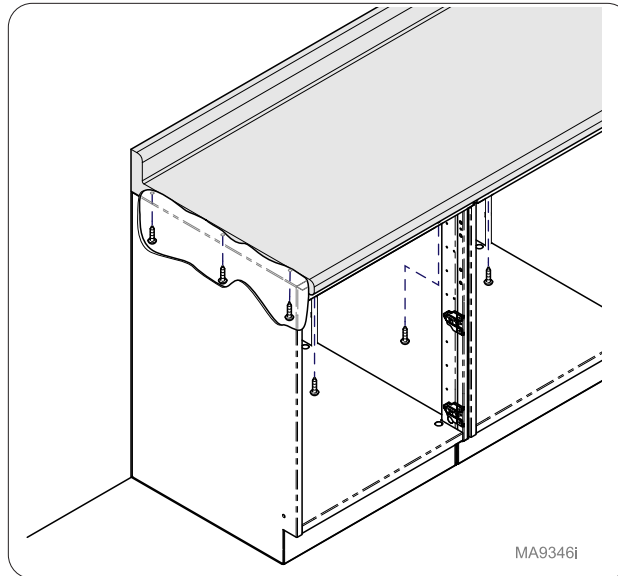
MA9369i

Step 3:
Move additional unit into place and level as shown.
Secure to corner base unit using hex screws provided.



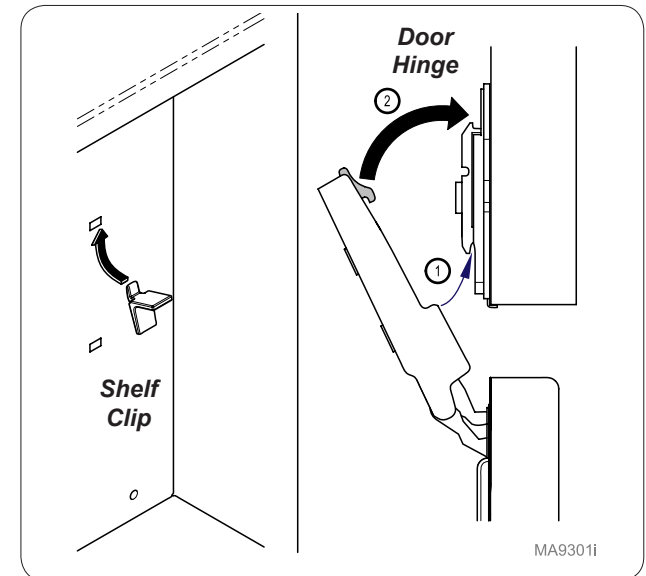
MA9370i

Step 4:
Assemble corner countertop by lining up slots on the underside of countertop then install & tighten bolts.
Note: 2 people are needed for this install



MA9346i

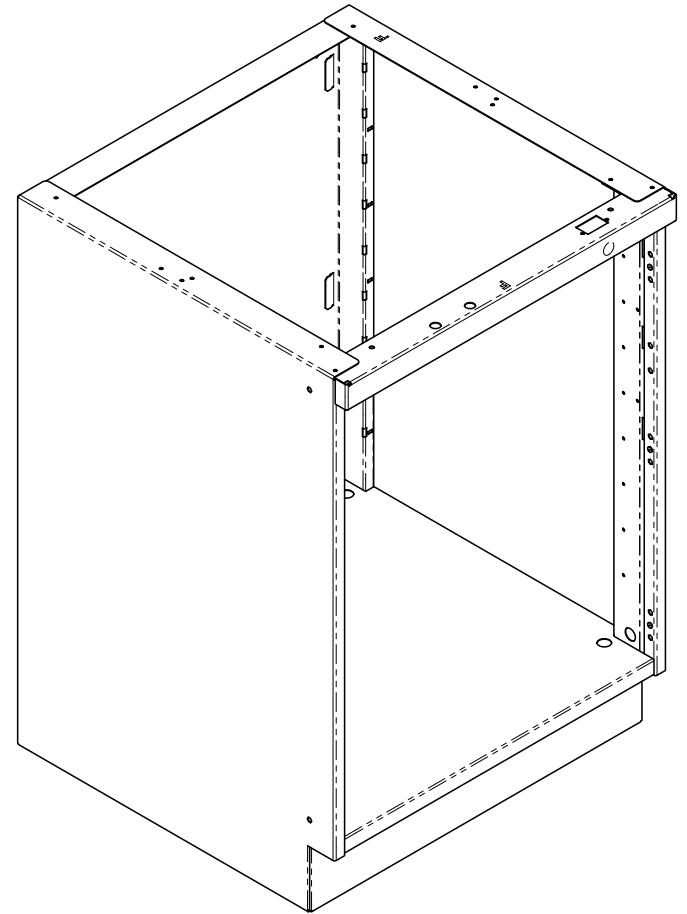
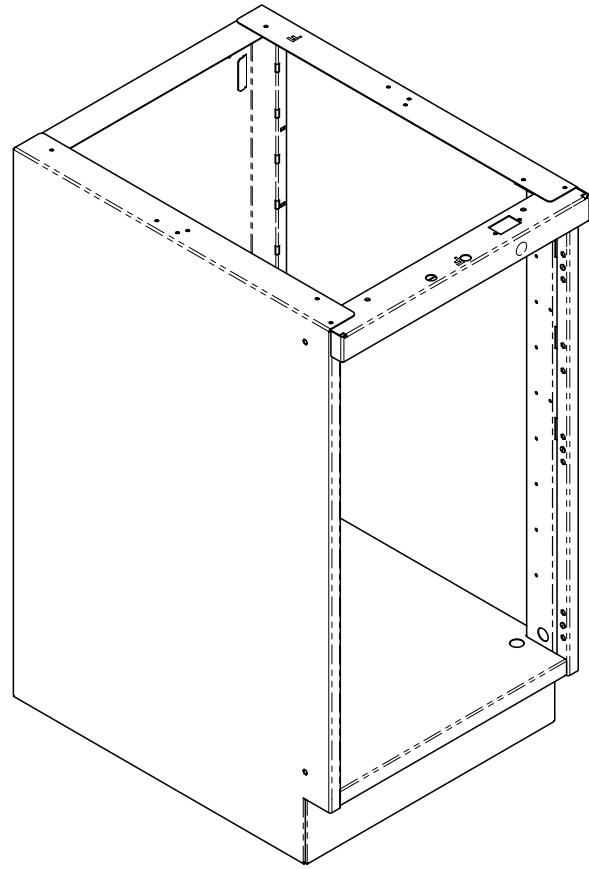
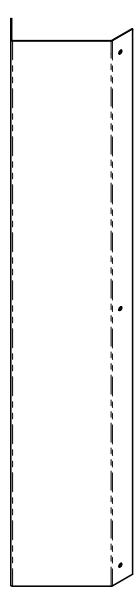
Step 5:
Secure countertop to cabinet with (#10 x 3/4") wood screws along front and sides of cabinet.



MA9301i

Step 6:
Tilt shelves to fit into cabinet and install shelf clips as shown. Reattach all doors as shown.

45° Corner Base Installation



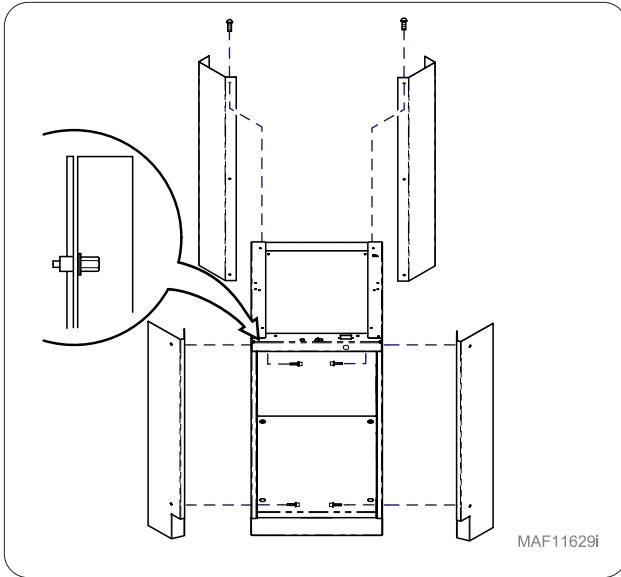
MAF11628i

Step 1:

Remove drawers, doors and shelves (if applicable) for easier installation.

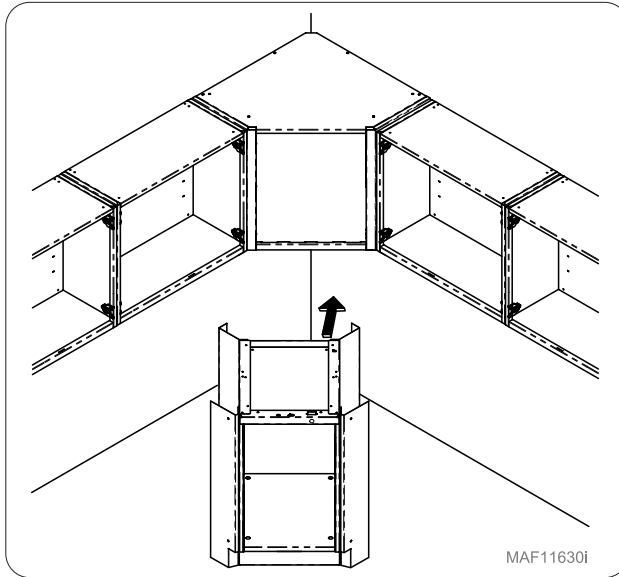
A Synthesis® Cabinetry Collection Drawing (Room Layout) should be provided for each install. If Installer does not receive drawings please contact Midmark at 1-800-MIDMARK (643-6275)

45° Corner Base w/ Overhead Unit Installation



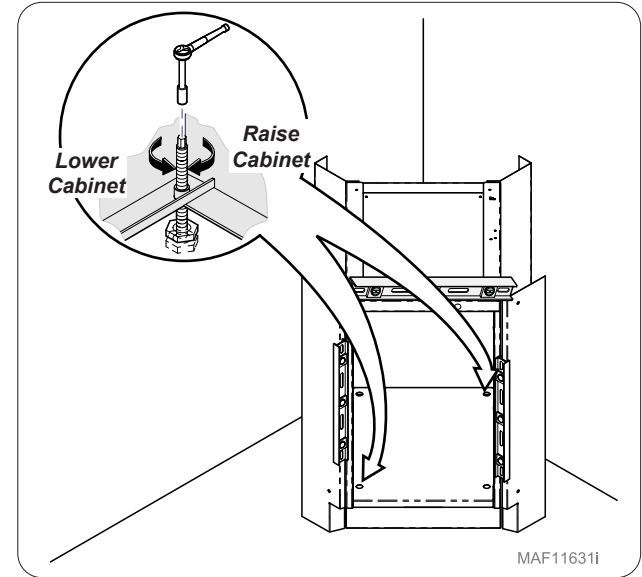
MAF11629i

Step 2: Corner Base Unit
Install rear and front braces to base cabinet.



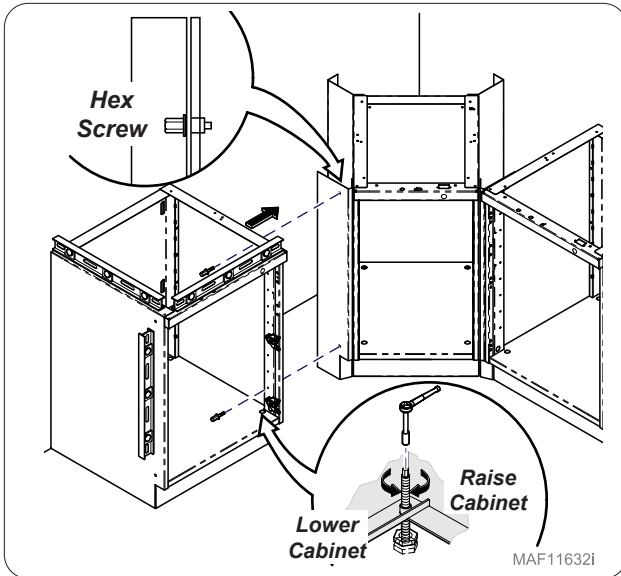
MAF11630i

Step 3:
Move base cabinet into place.



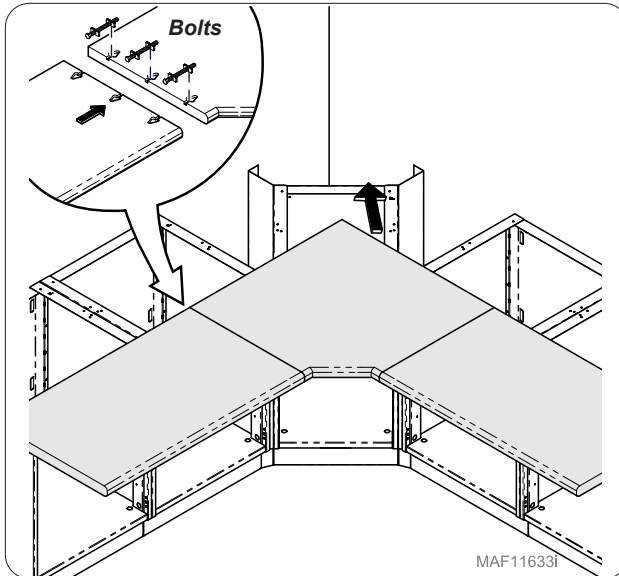
MAF11631i

Step 4:
Adjust leveling feet as shown to level unit.
Note: Make sure all feet are in contact with the floor.



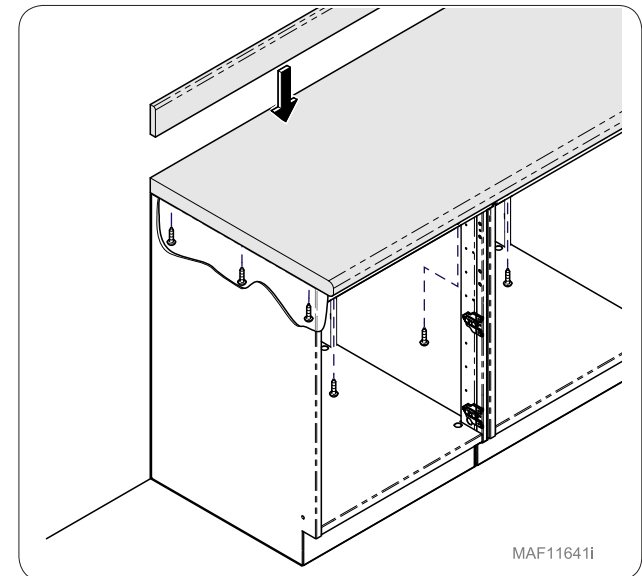
MAF11632i

Step 5:
Move additional units into place and level as shown.
Secure to corner base unit using hex screws provided



MAF11633i

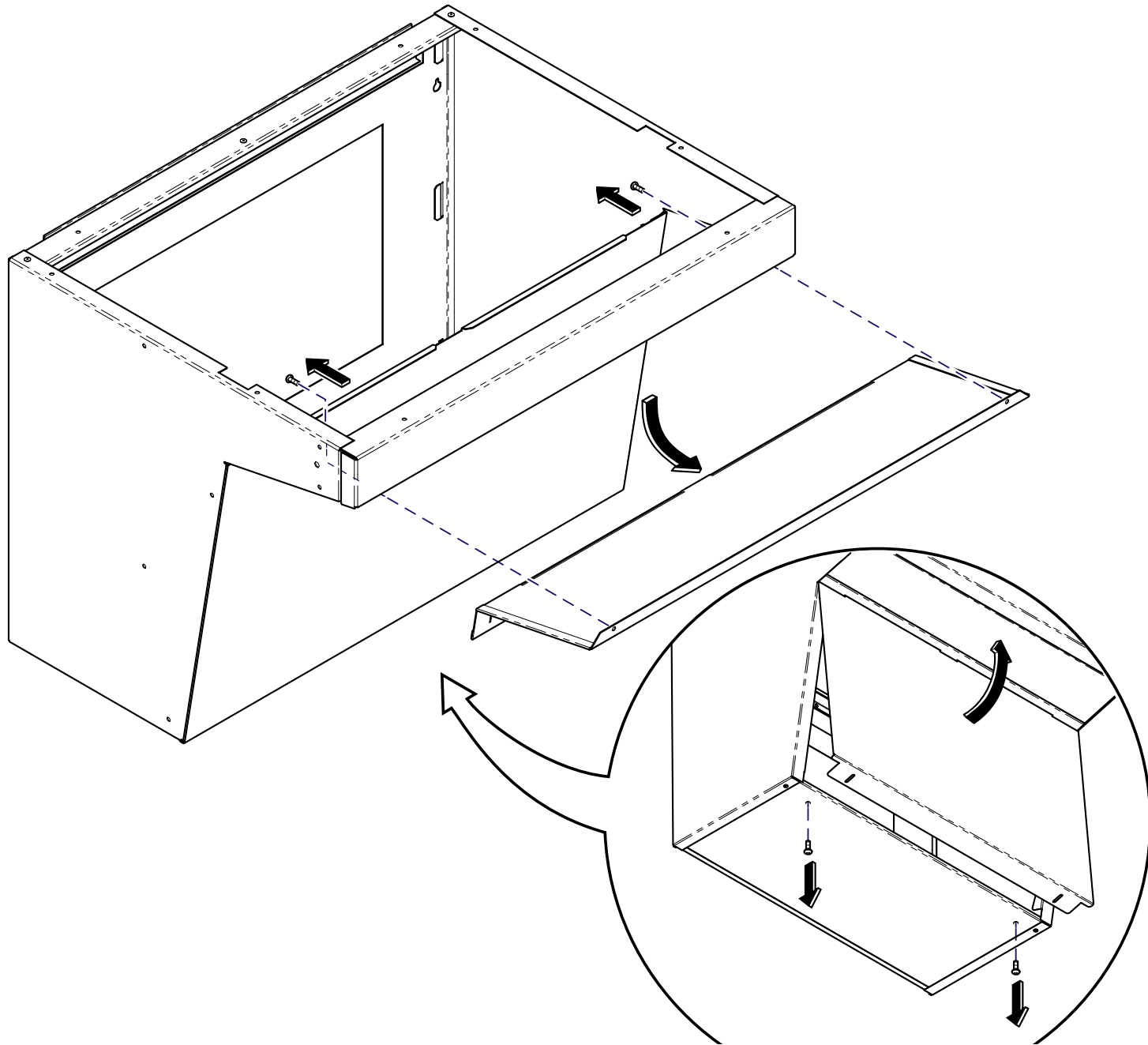
Step 6:
Assemble corner countertop by lining up slots on the underside of countertop then install & tighten bolts.
Note: 2 people are needed for this install



MAF11641i

Step 7:
Secure countertop to cabinet with (#10 x 3/4") wood screws along front and sides of cabinet.

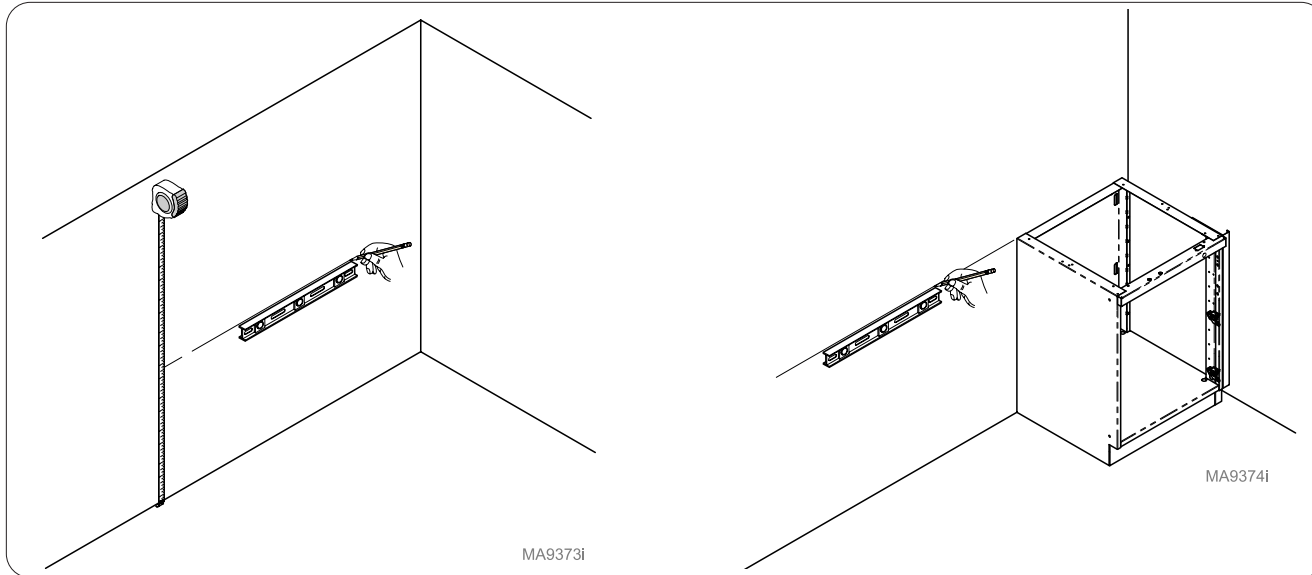
Wall Hanging Sink Installation (ADA)



Step 1:
Remove sink base covers.

A Synthesis® Cabinetry Collection Drawing (Room Layout) should be provided for each install. If Installer does not receive drawings please contact Midmark at 1-800-MIDMARK (643-6275)

Wall Hanging Sink Installation (ADA)

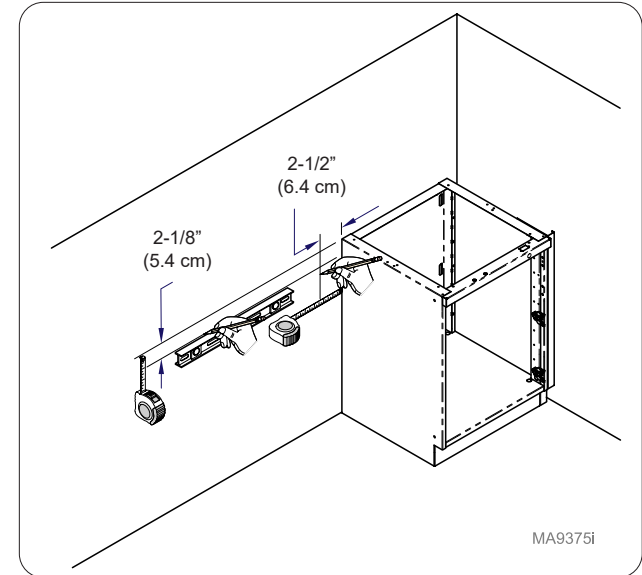


Step 2: w/ Stand-alone Unit

Measure up to mark desired height of sink cabinet top. Extend line using level.

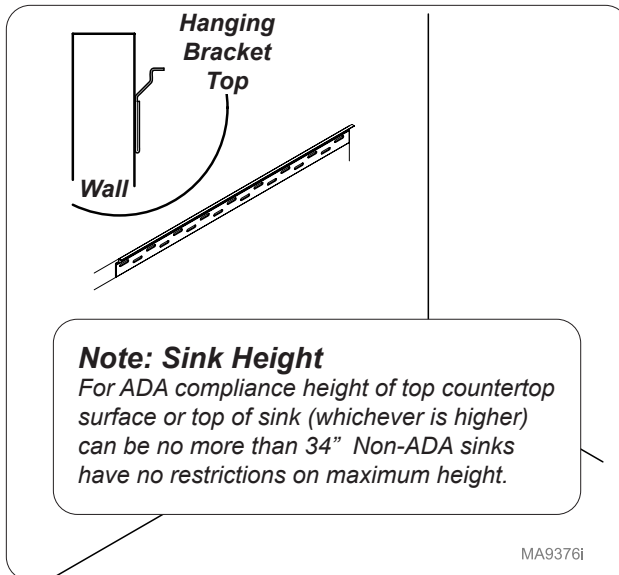
Step 2: w/ Unit attached to Cabinet

Use level to mark a line from top of connecting cabinet.



Step 3:

Measure 2-1/8" (5.4 cm) lower than desired height of sink top and mark for bottom of hanging bracket. Measure 2 1/2" (6.4 cm) from connecting cabinet and mark for start of bracket (if applicable).



Step 4:

Mount hanging bracket to wall using hardware (not supplied). **Note: It is important to refer to the Attention and Caution for this step.**

Attention:

Local, city, or national building codes should be followed before using midmark suggested fasteners for installation.

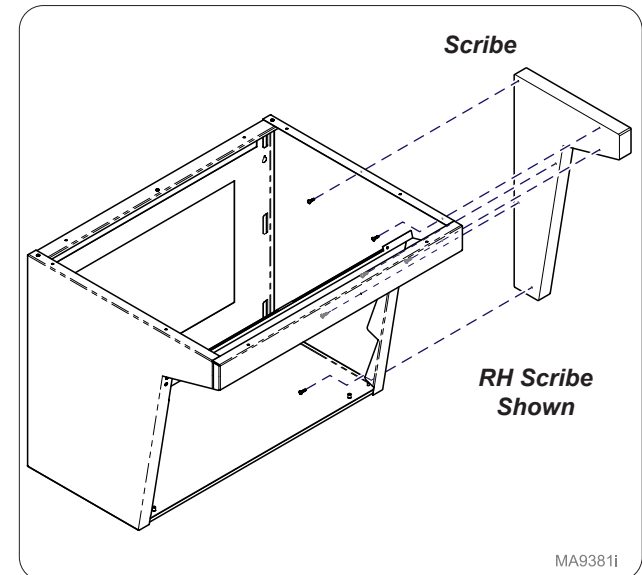
Note: Suggested Fasteners

- Stud walls (standard): #10 x 2 wood screws (coarse threaded).
- Steel studded walls: sheet metal #10 fine screws.
- Hollow type or masonry walls: #10 machine screw expansion anchors of adequate length. A 3/16" short molly or toggle may be used if pre-drilled.
- Rough solid concrete or brick wall: #10 round head wood screw or a specialized masonry fastener.



Caution

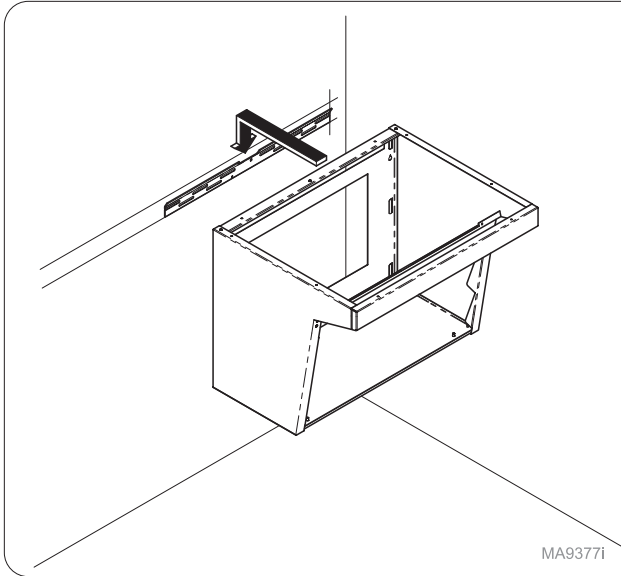
Installer must secure bracket to at least one stud and use wall anchors or toggles on any screws that cannot be secured to studs.



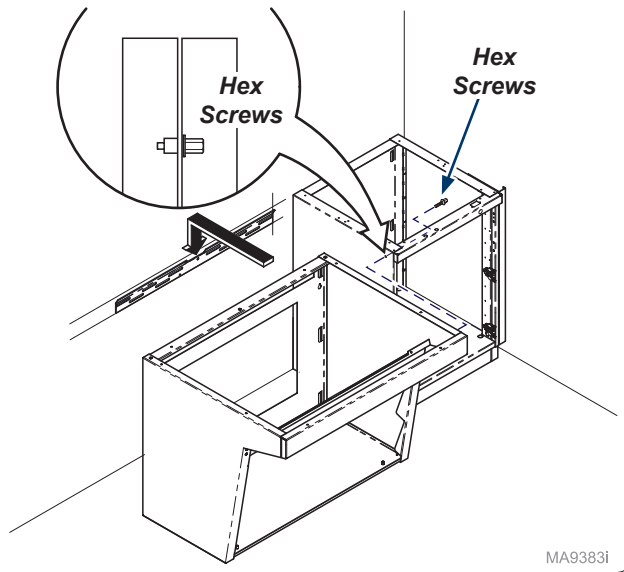
Step 5: RH or LH Scribe - Optional

Attach scribe to sink unit using screws (6) provided.

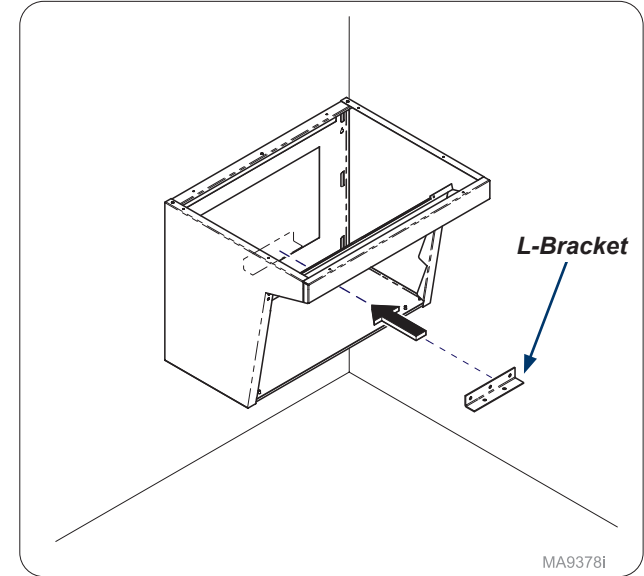
ADA Sink Installation



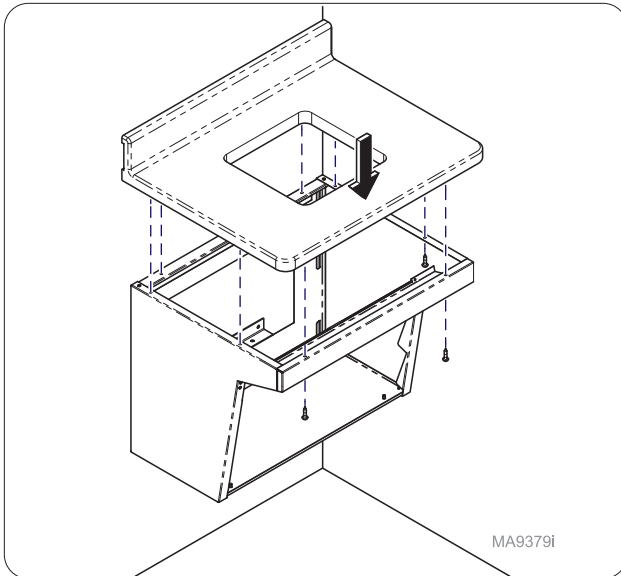
Step 6:
Place sink base onto hanging bracket.



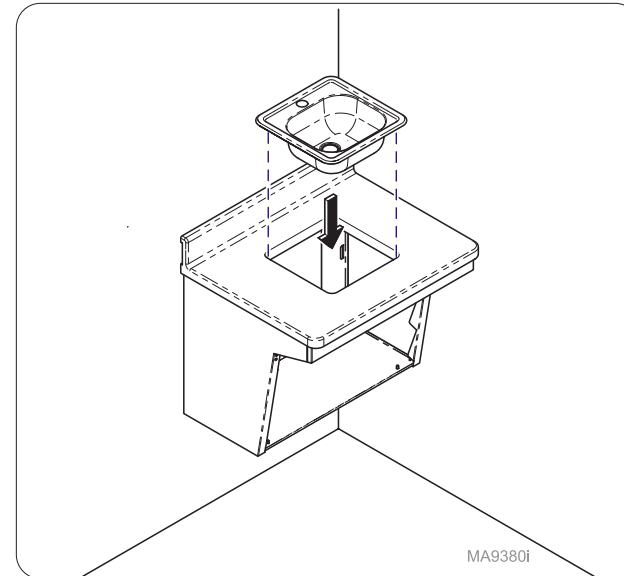
Step 6: w/ Unit attached to Cabinet
Place unit onto hanging bracket. Secure sink base to connecting cabinet using hex screws provided.



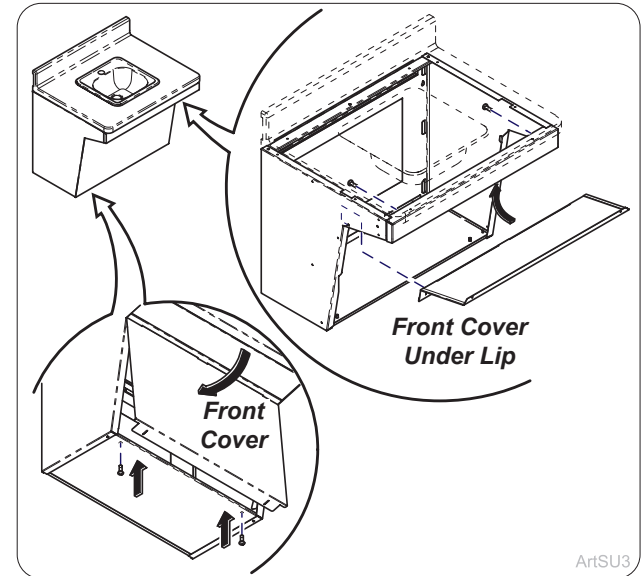
Step 7: Install L bracket above bottom of plumbing cut-out with hardware (not supplied). **Note: Refer to Caution and Note from step 4**



Step 8: w/ Stand-alone Unit
Secure countertop to sink using (#10 x 3/4") wood screws along front and sides of cabinet. **Note: For countertop attached to cabinet refer to Base Unit Install.**

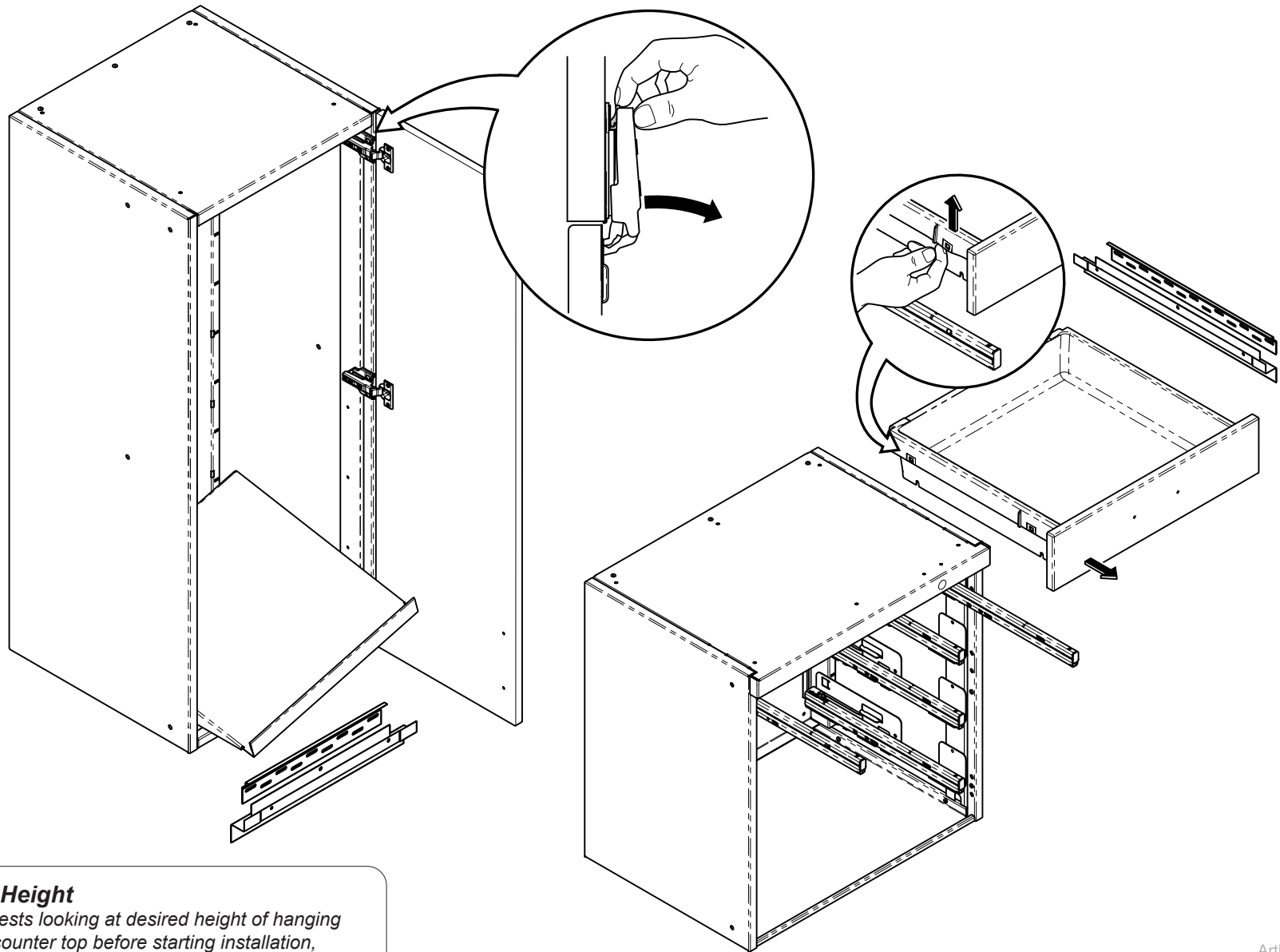


Step 9:
Install sink using manufacturer's instructions.



Step 10:
Reinstall inside front cover under lip. (x2 screws)
Reinstall main front cover. (x2 screws)

Wall Hanging Cabinetry Installation



Note: Sink Height

Midmark suggests looking at desired height of hanging base cabinet counter top before starting installation, located on your Room Layout Drawings.

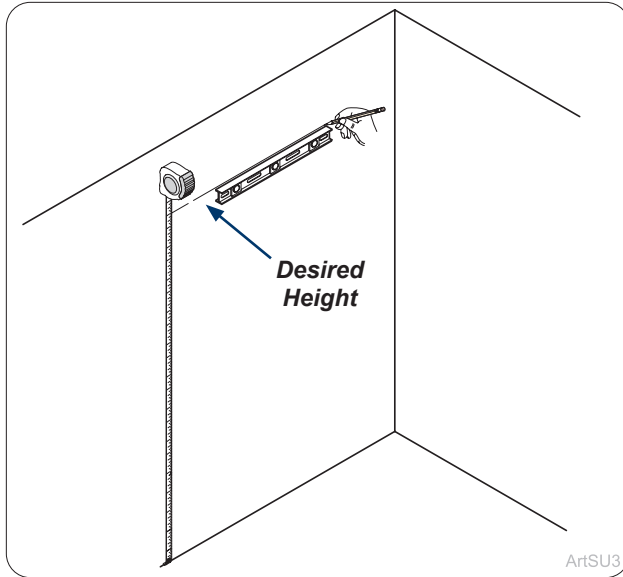
ArtFull

Step 1:

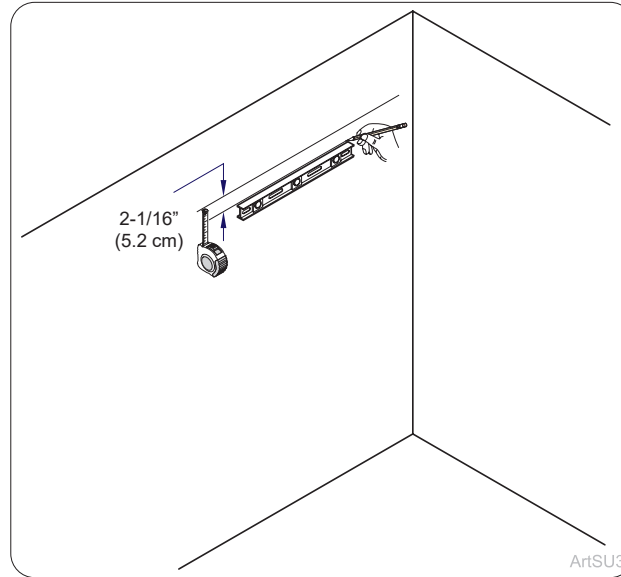
Remove drawers, doors and shelves (if applicable) for easier installation.

A Synthesis® Cabinetry Collection Drawing (Room Layout) should be provided for each install. If Installer does not receive drawings please contact Midmark at 1-800-MIDMARK (643-6275)

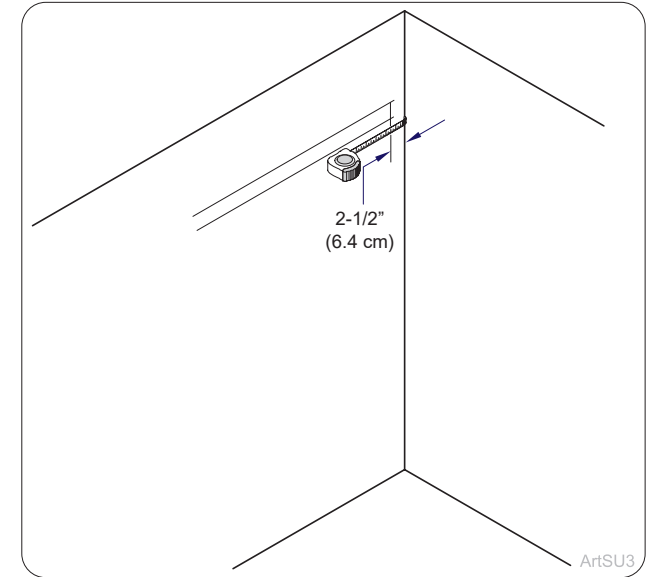
Wall Hanging Cabinetry



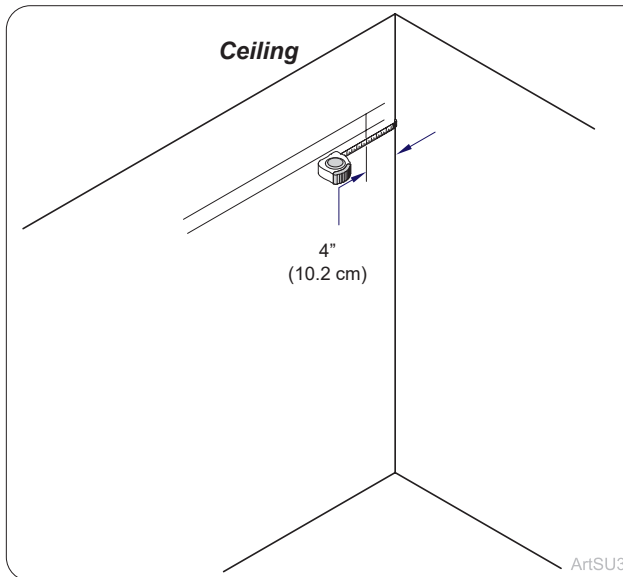
Step 2:
Measure up to mark desired height of tall hanging cabinet.
Use level to extend line. **Note: See Room Layout page for desired height.**



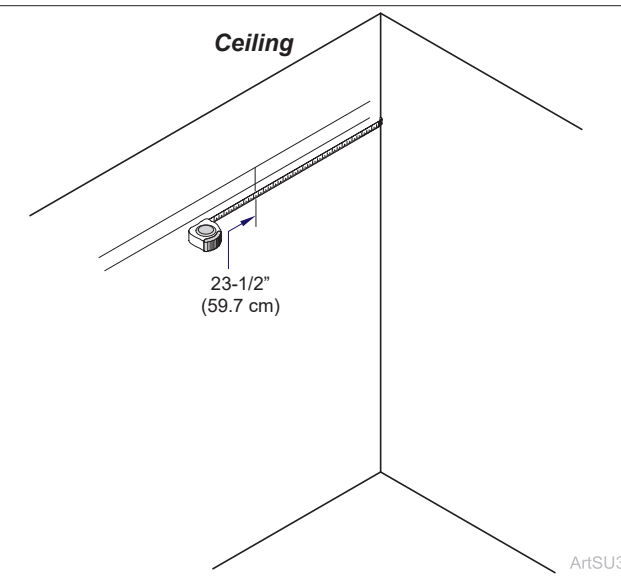
Step 3:
Measure 2-1/16" (5.2 cm) lower than the desired height of cabinet top and mark for bottom of hanging bracket. Extend line using level.



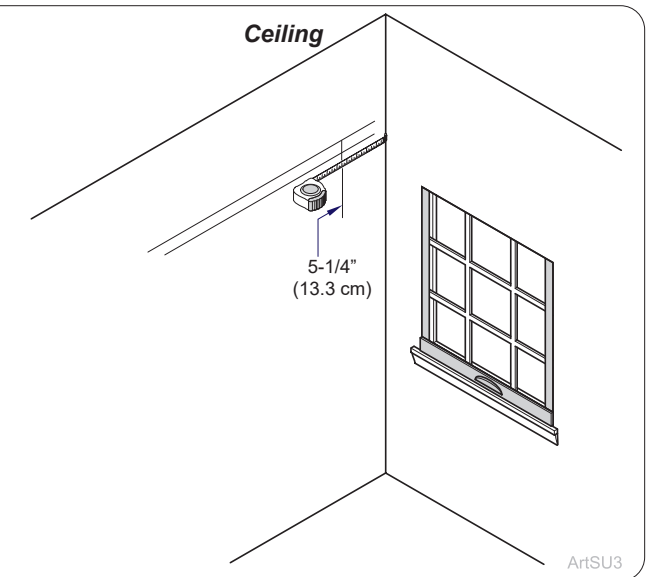
Step 4: w/ No Spacer
Measure 2-1/2" (6.4 cm) from corner of wall and mark for start of hanging bracket. **Note: Refer to steps below if a different variation is specified.**



Step 4: w/ Scribe
Measure 4" (10.2 cm) from corner of wall and mark for start of hanging bracket.

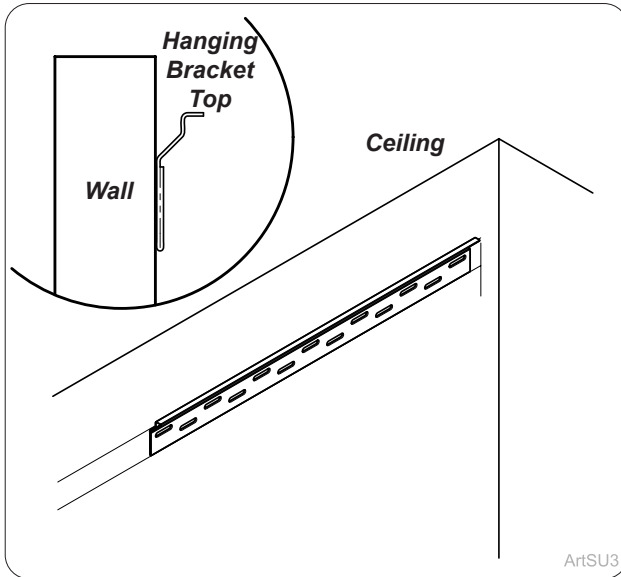


Step 4: w/ Corner bracket
Measure 23-1/2" (59.7 cm) from corner of wall and mark for start of hanging bracket. On opposite wall measure same distance from corner.



Step 4: w/ Window
Measure 5-1/4" (13.3 cm) from corner of wall and mark for start of hanging bracket.

Wall Hanging Cabinetry



ArtSU3

Step 5:

Mount hanging bracket to wall using hardware (not supplied). **Note: It is important to refer to the Attention and Caution for this step**

Attention:

Local, city, or national building codes should be followed before using midmark suggested fasteners for installation.

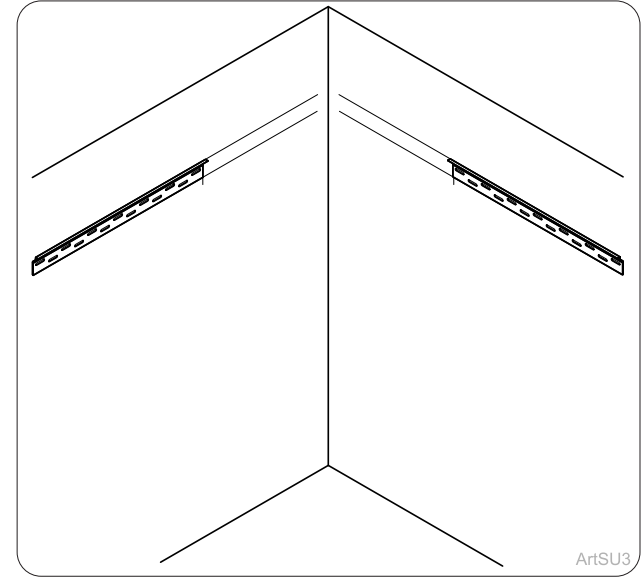
Note: Suggested Fasteners

- Stud walls (standard): #10 x 2 wood screws (coarse threaded).
- Steel studded walls: sheet metal #10 fine screws.
- Hollow type or masonry walls: #10 machine screw expansion anchors of adequate length. A 3/16" short molly or toggle may be used if pre-drilled.
- Rough solid concrete or brick wall: #10 round head wood screw or a specialized masonry fastener.



Caution

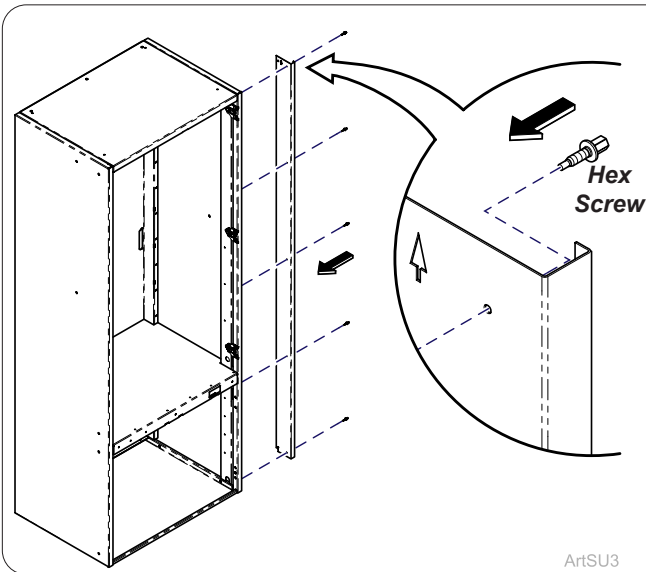
Installer must secure bracket to at least one stud and use wall anchors or toggles on any screws that cannot be secured to studs. Midmark recommends the following number of fasteners to be used to attach the bracket:
 12" - 18" widths: 3
 21" - 30" widths: 4



ArtSU3

Step 5: Corner Bracket

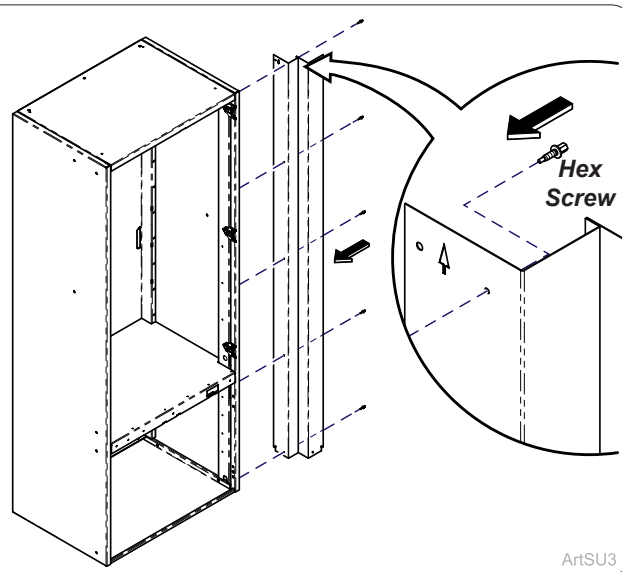
Mount hanging brackets (2) to wall using hardware (not supplied). **Note: It is important to refer to the Attention and Caution for this step.**



ArtSU3

Step 6: w/ Scribe

Attach scribe to tall hanging cabinet using hex screws provided.

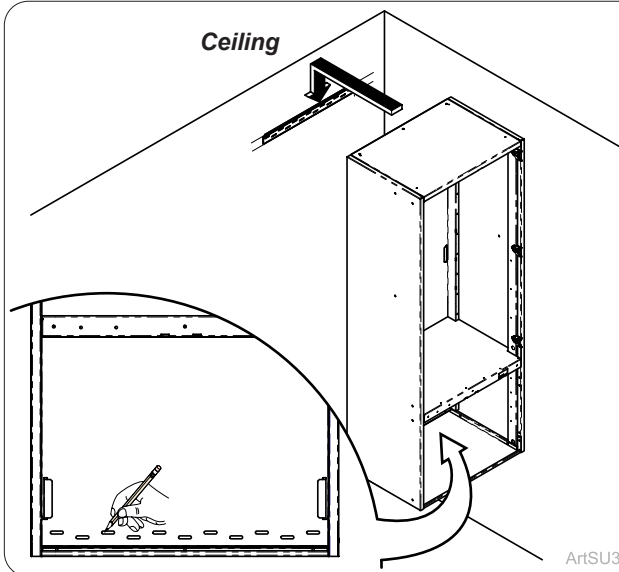


ArtSU3

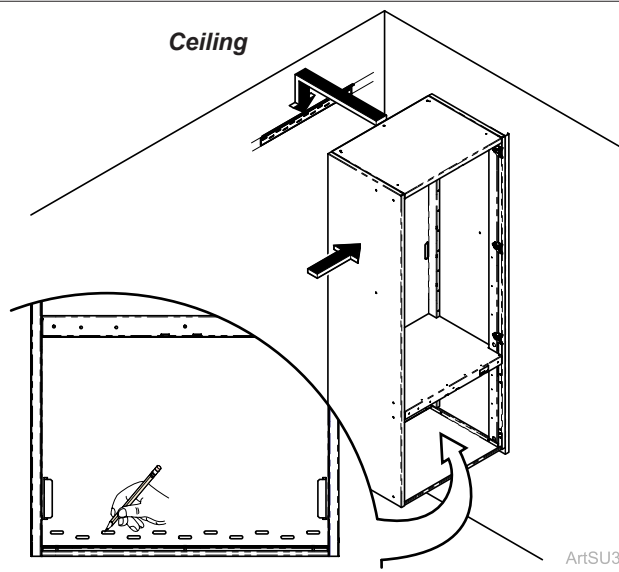
Step 6: w/ Corner Bracket

Attach corner bracket assembly to tall hanging cabinet using hex screws provided.

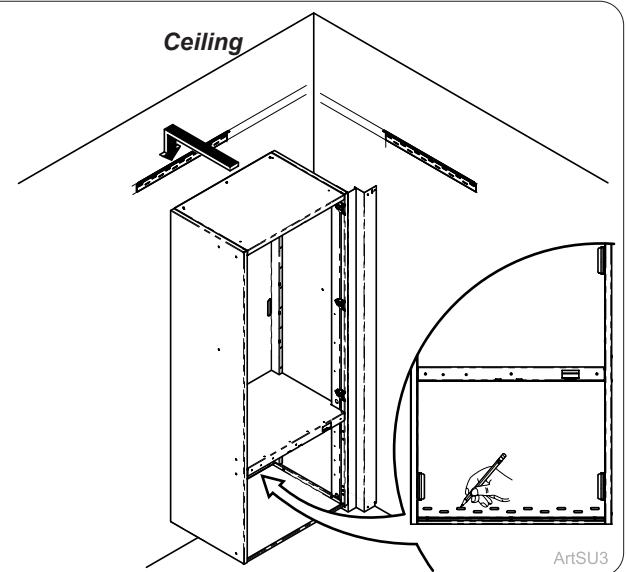
Wall Hanging Cabinetry



ArtSU3



ArtSU3

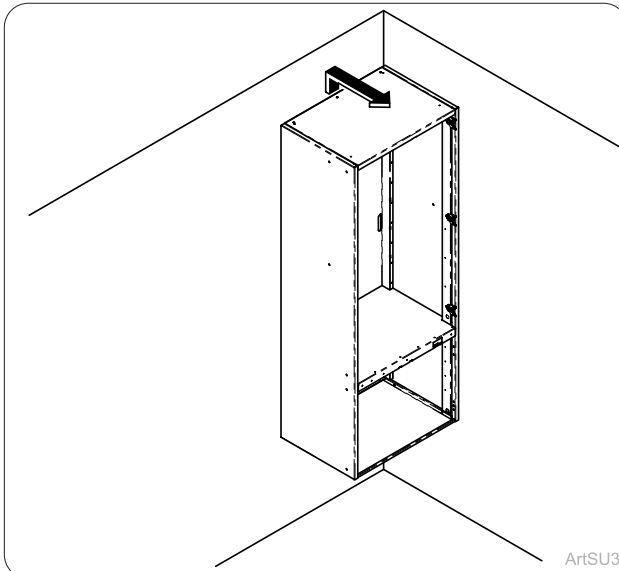


ArtSU3

Step 7:
Place tall hanging cabinet onto hanging bracket. Mark hole locations in bottom of cabinet.

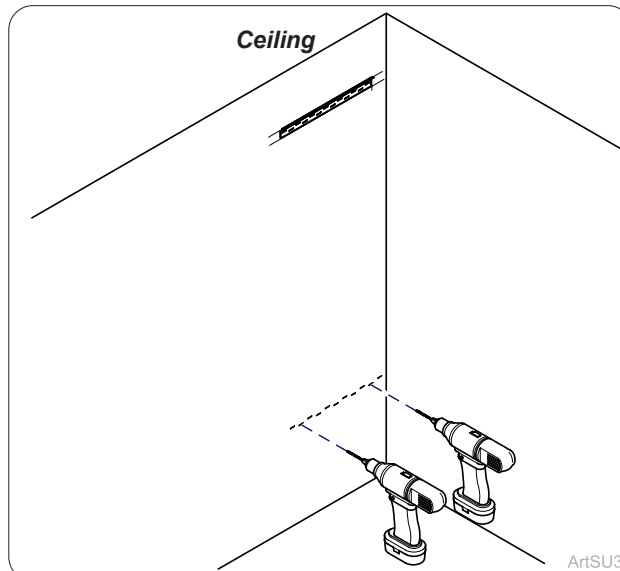
Step 7: w/ Scribe
Place tall hanging cabinet onto hanging bracket. Mark hole locations in bottom of cabinet.

Step 7: w/ Overhead Corner Bracket
Place tall hanging cabinet onto hanging bracket. Mark hole locations in bottom of cabinet.



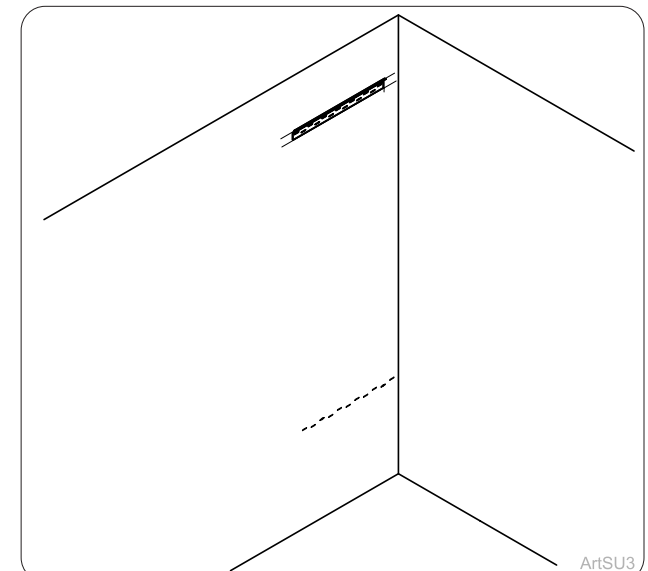
ArtSU3

Step 8:
Remove tall cabinet from wall.



ArtSU3

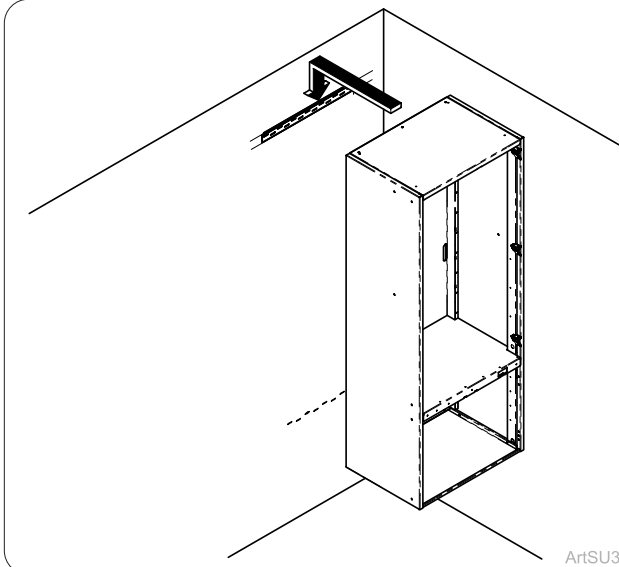
Step 9:
Determine at least two locations to attach the cabinet, using a wall stud when available. Drill holes as required.



ArtSU3

Step 10:
Install wall anchors or mollys where a stud is not present..

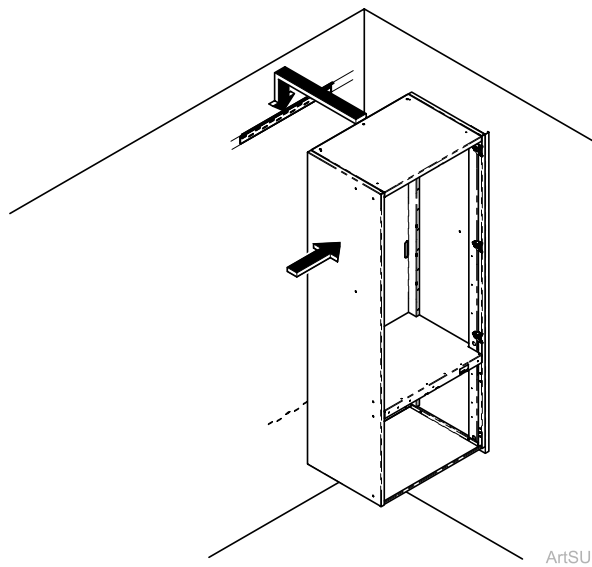
Wall Hanging Cabinetry



ArtSU3

Step 11:

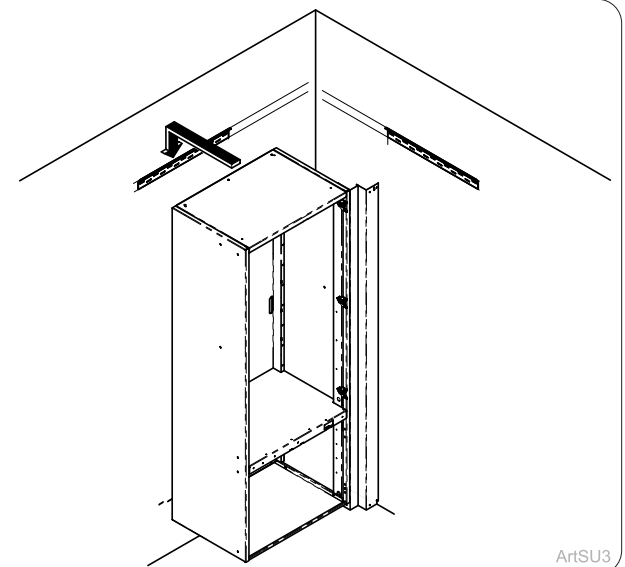
Place tall hanging cabinet onto hanging bracket. Adjust and level to desired position.



ArtSU3

Step 11: w/ Scribe

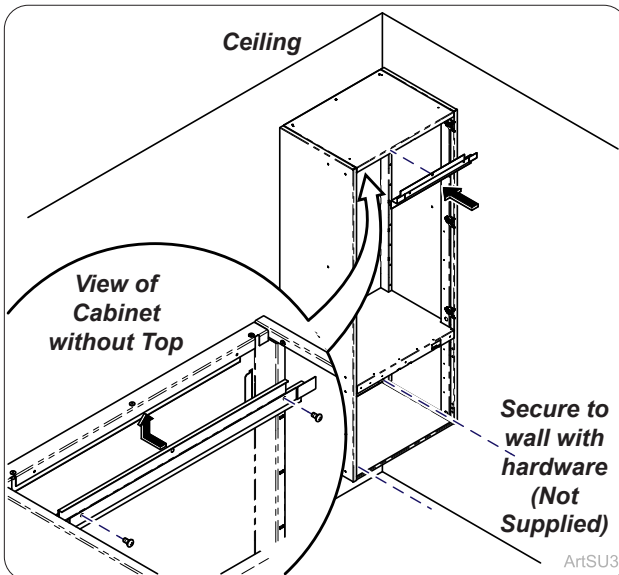
Place tall hanging cabinet onto hanging bracket. Adjust and level to desired position. **Note: Make sure cabinet is pushed into corner.**



ArtSU3

Step 11: w/ Corner Bracket

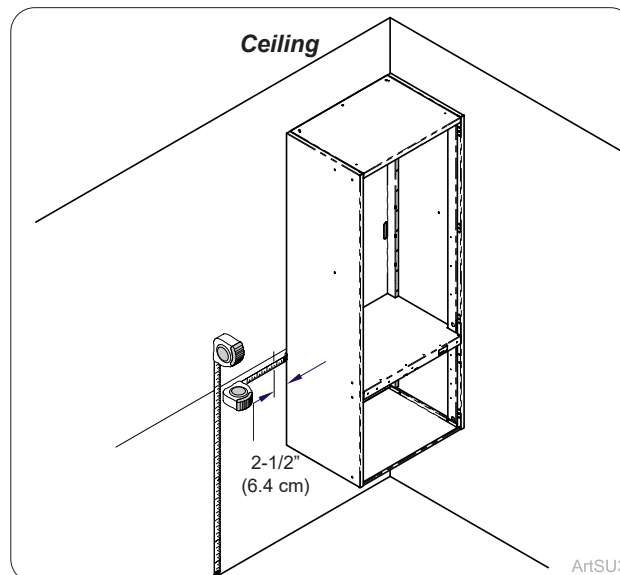
Place tall hanging cabinet onto hanging bracket. Adjust and level to desired position.



ArtSU3

Step 12:

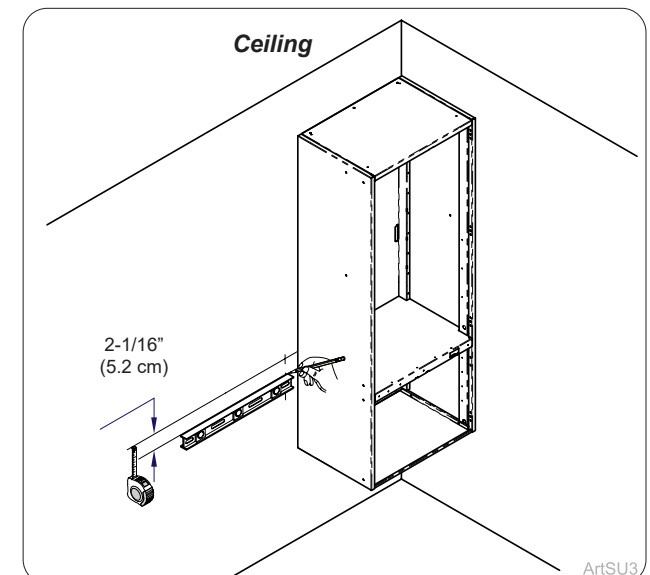
Install retainer bracket with screws (2) in tall cabinet. Secure bottom with screws (not supplied) into wall anchors.



ArtSU3

Step 13:

Measure desired height for top of cabinet (not countertop) using Room Layout and mark wall. Measure 2-1/2" (6.4 cm) from tall unit and mark for start of hanging bracket.

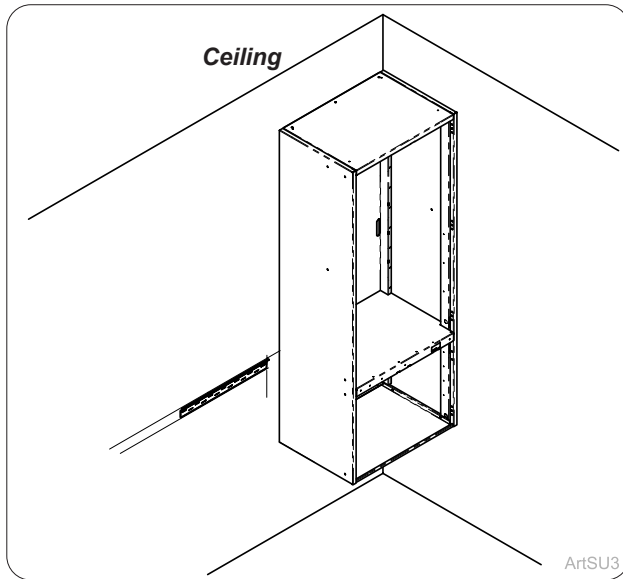


ArtSU3

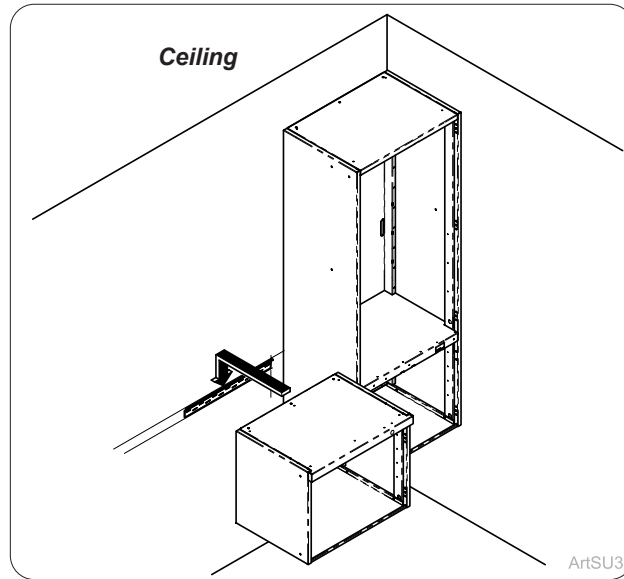
Step 14:

Measure 2-1/16" (5.2 cm) lower than the desired height of cabinet top and mark for bottom of hanging bracket. Extend line using level.

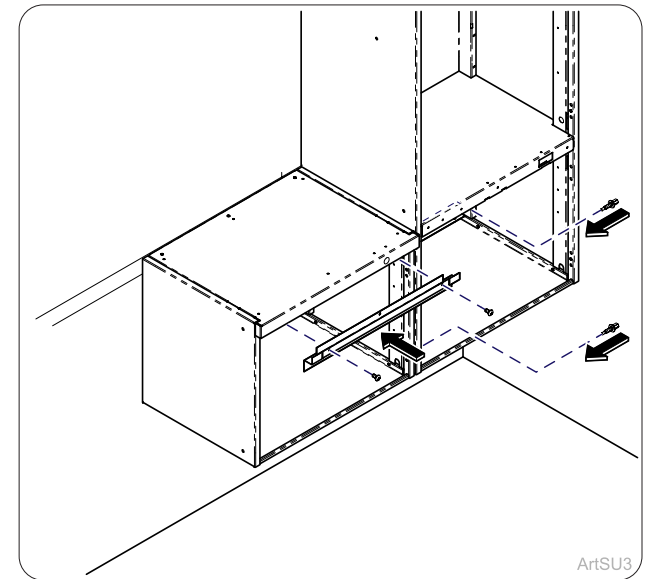
Wall Hanging Cabinetry



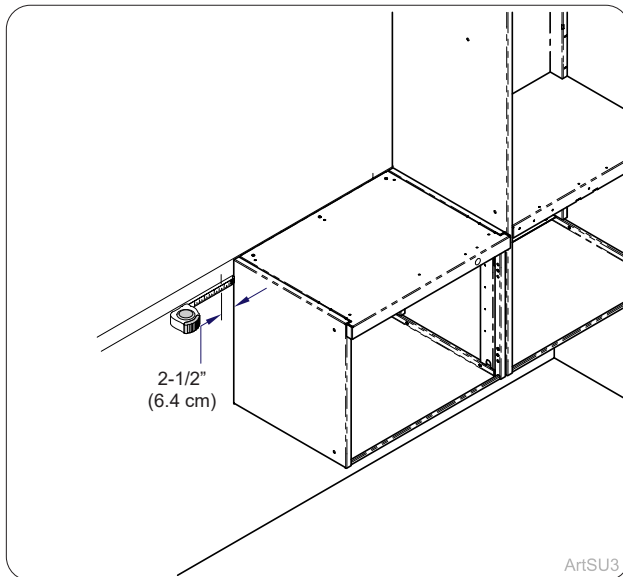
Step 15:
Mount hanging bracket to wall using hardware (not supplied). **Note: Refer to Caution and Note for step 5.**



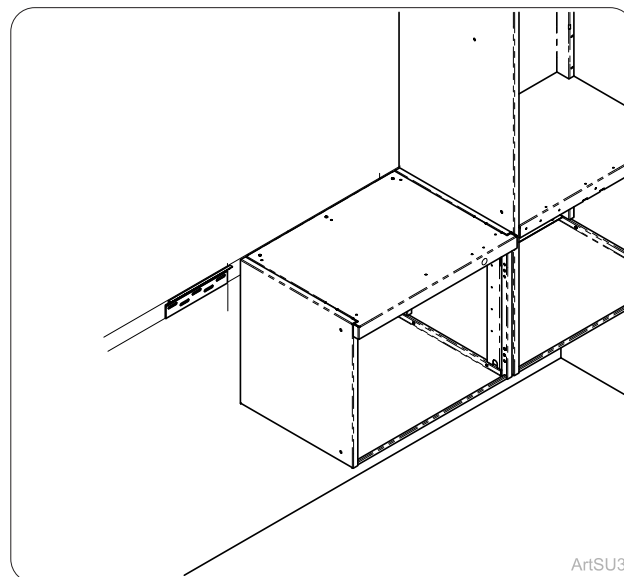
Step 16:
Place base hanging cabinet onto hanging bracket.



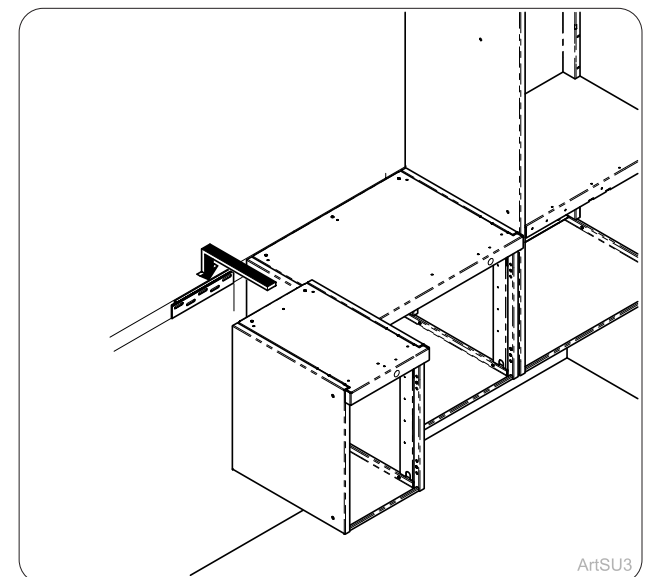
Step 17:
Install retainer bracket with screws (2) in base cabinet. Secure side with provided hex screws (2).



Step 18:
Measure 2-1/2" (6.35 cm) away from hung cabinet and mark.

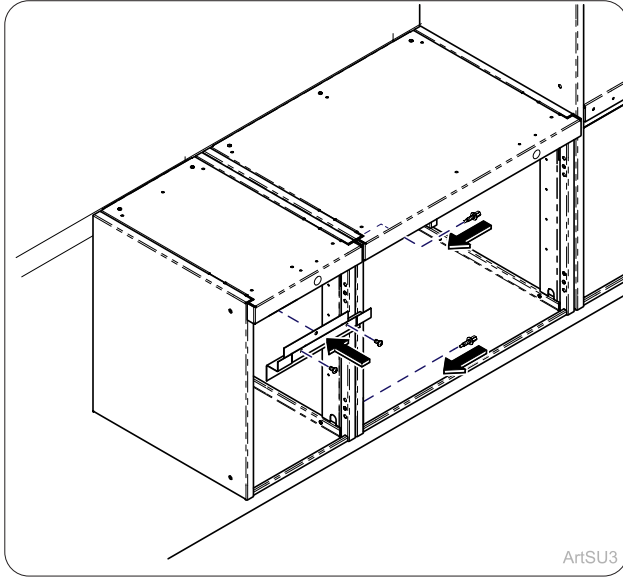


Step 19:
Mount hanging bracket to wall using hardware (not supplied). **Note: Refer to Caution and Note for step 5.**



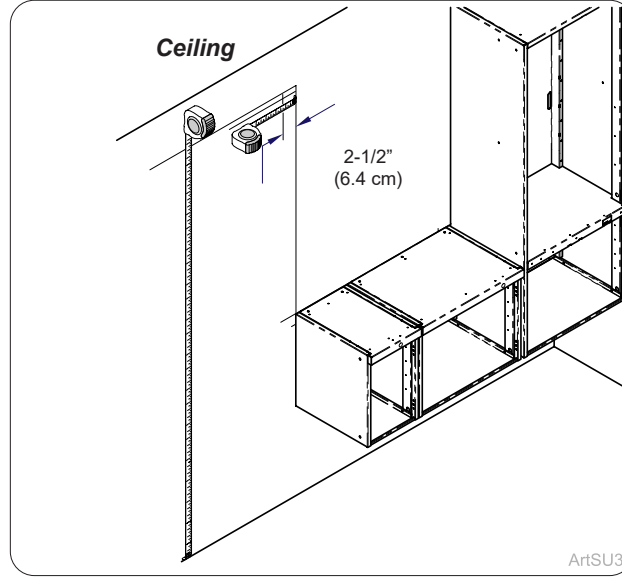
Step 20:
Place base hanging cabinet onto hanging bracket.

Wall Hanging Cabinetry



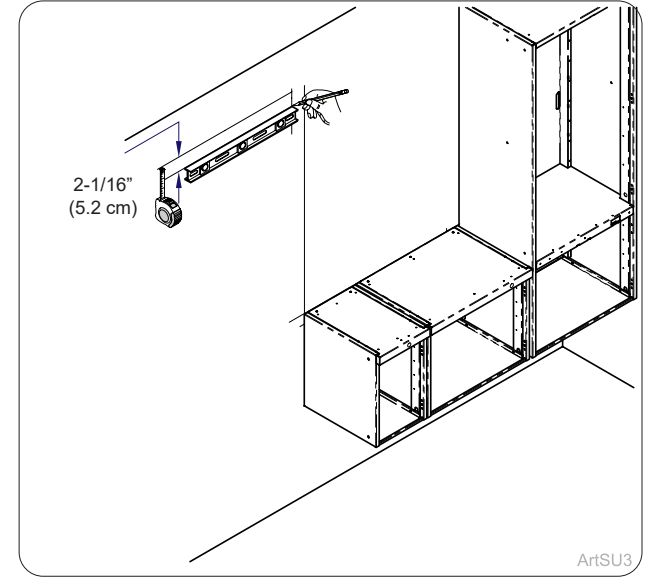
ArtSU3

Step 21:
Install retainer bracket with screws (2) in tall cabinet. Secure side with provided hex screws (2).



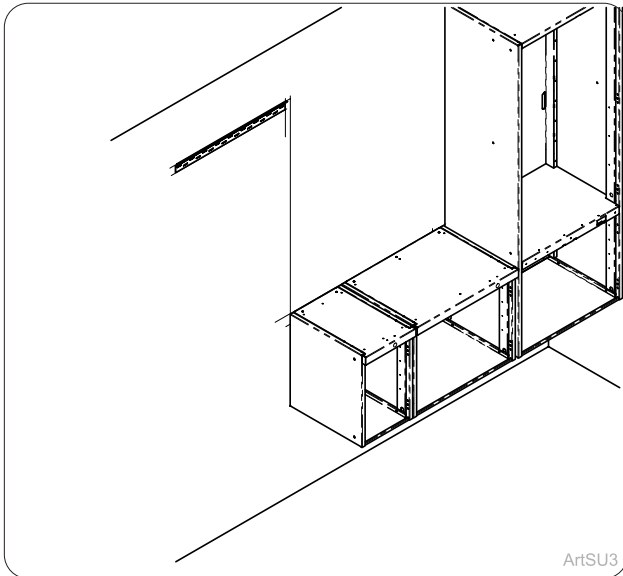
ArtSU3

Step 22:
Measure desired height using Room Layout and mark ceiling wall. Measure 2-1/2" (6.4 cm) from the corner of the base cabinet and mark for start of hanging bracket.



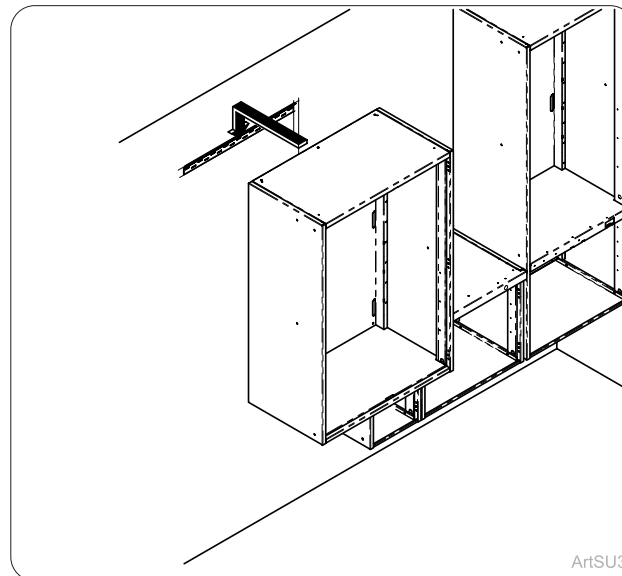
ArtSU3

Step 23:
Measure 2-1/16" (5.2 cm) lower than the desired height of cabinet top and mark for bottom of hanging bracket. Extend line using level.



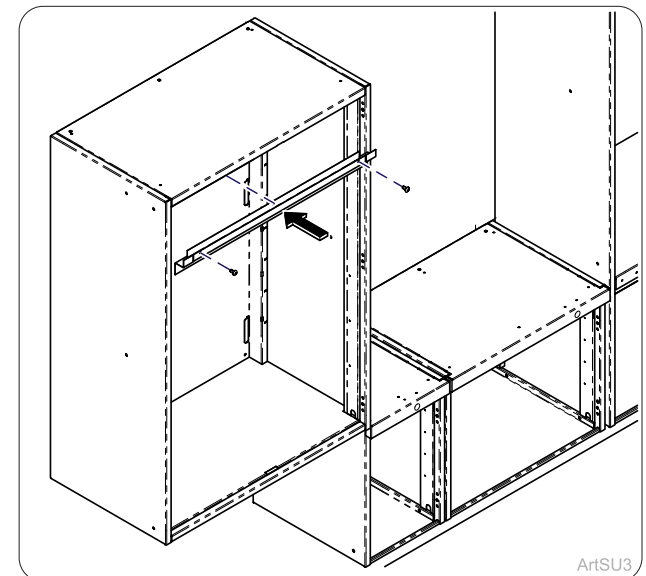
ArtSU3

Step 24:
Mount hanging bracket to wall using hardware (not supplied). **Note: Refer to Caution and Note for step 5**



ArtSU3

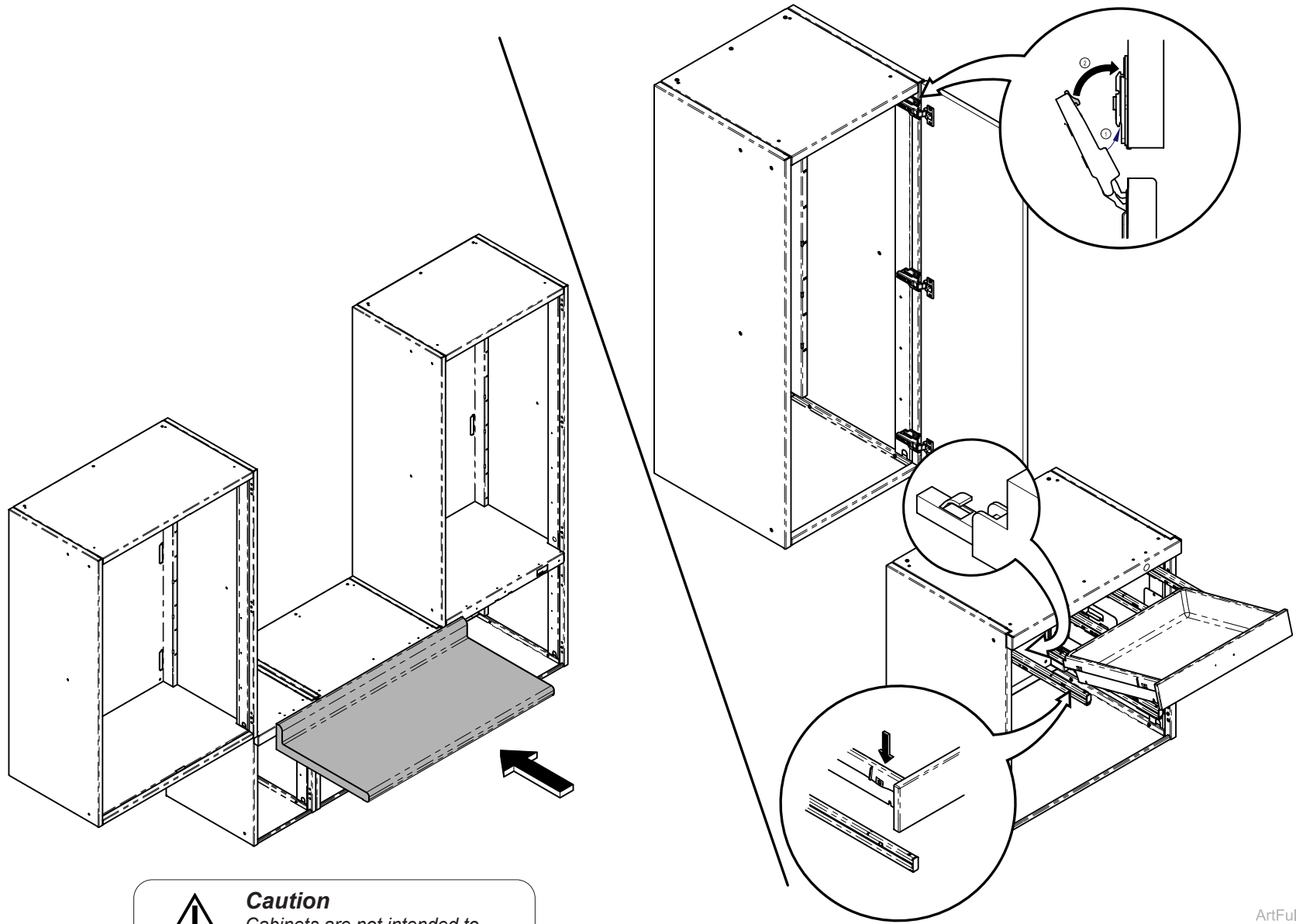
Step 25:
Place storage hanging cabinet onto hanging bracket.



ArtSU3

Step 26:
Install retainer bracket with screws (2) in storage cabinet.

Wall Hanging Cabinetry Installation



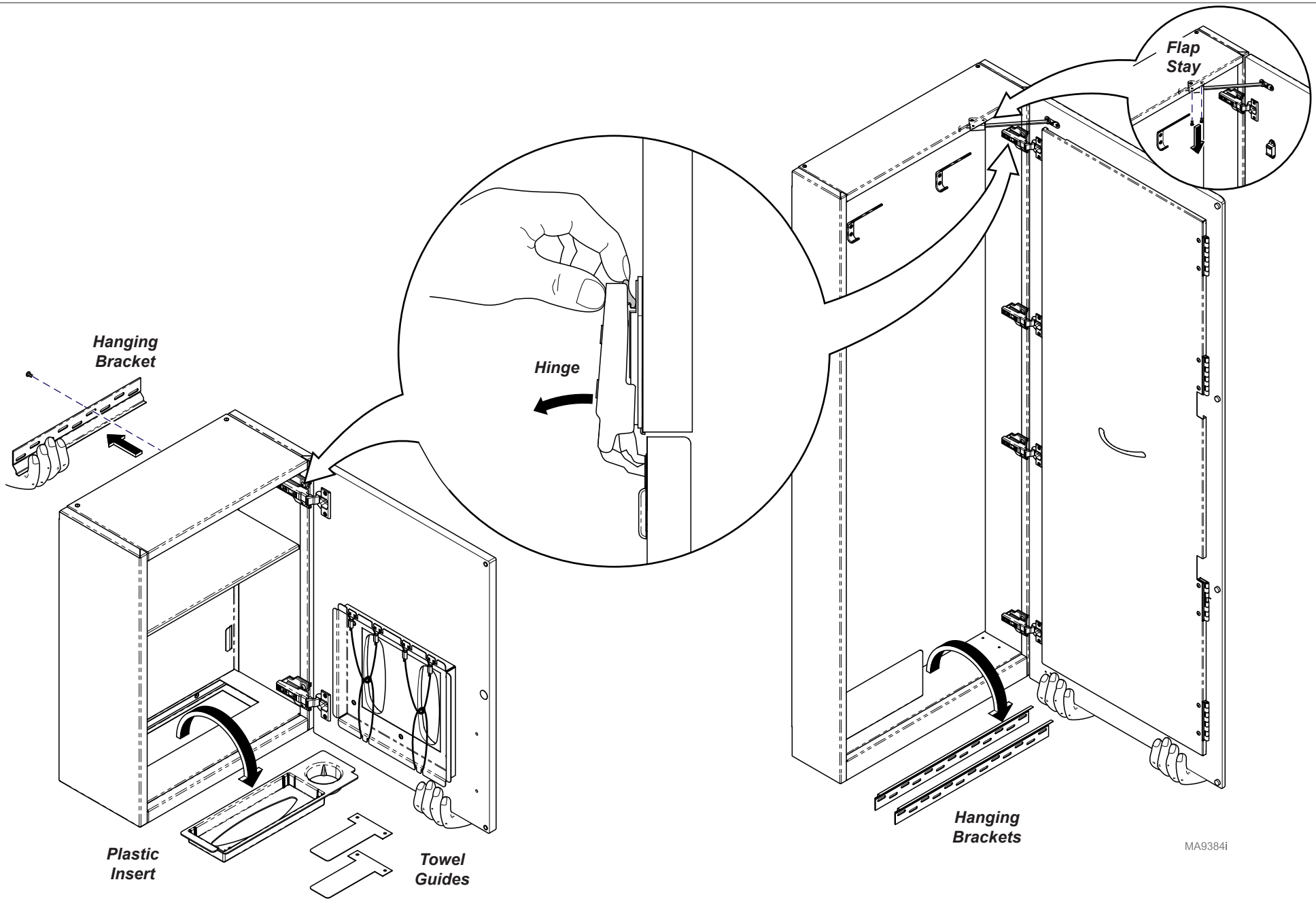
Caution

Cabinets are not intended to support the weight of a person.

ArtFull

Step 27:
Install counter top with screws provided. Reinstall all drawers, doors and shelves (as needed).

Towel/Cup/Glove Dispenser and Dressing Nook Installation

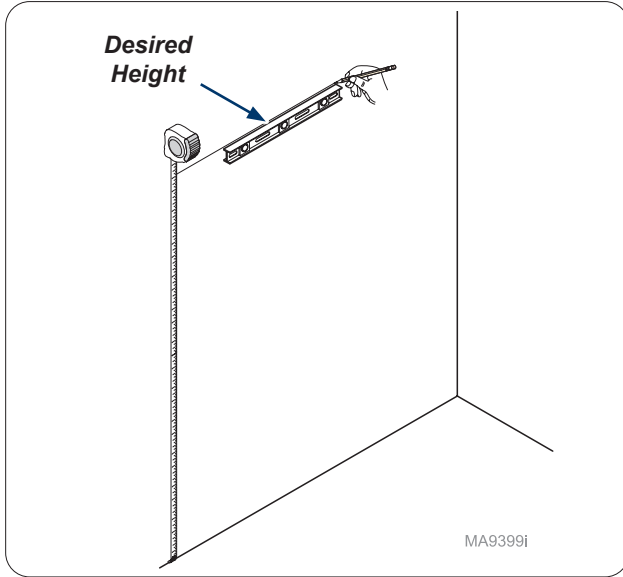


MA9384I

Step 1:
Remove screws (2) from door stay and door from nook also remove hanging brackets. Remove door, hanging bracket and plastic insert from dispenser (if applicable) for easier installation.

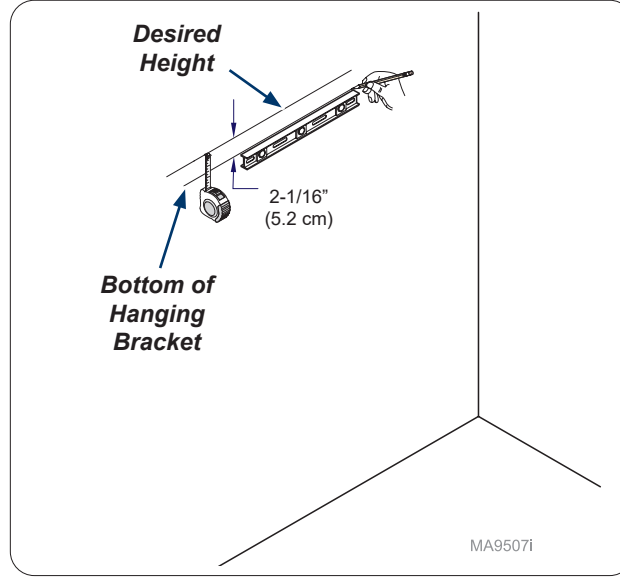
A Synthesis® Cabinetry Collection Drawing (Room Layout) should be provided for each install. If Installer does not receive drawings please contact Midmark at 1-800-MIDMARK (643-6275)

Towel/Cup/Glove Dispenser and Dressing Nook Installation



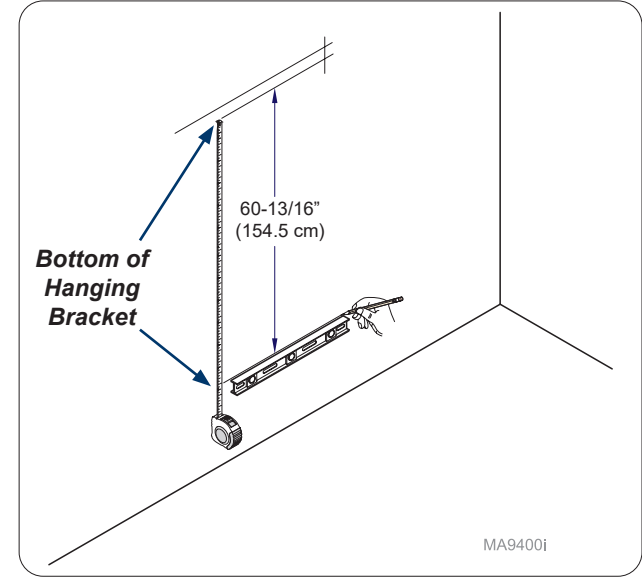
MA9399i

Step 2:
Choose location of unit and measure up from floor to mark desired top height using level to extend line. **Note: Refer to Room Layouts page for recommended heights.**



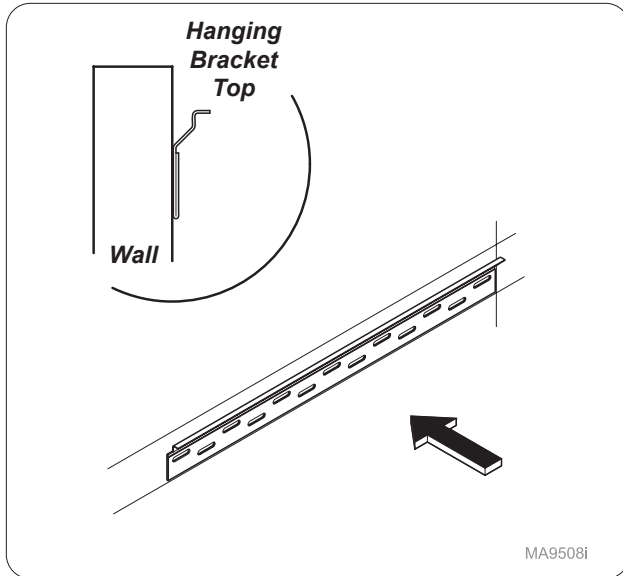
MA9507i

Step 3:
Measure 2-1/16" (5.2 cm) down from desired height of unit and mark for bottom of hanging bracket using level to extend line.



MA9400i

Step 4: Dressing Nook ONLY
Measure down and mark 60-13/16" (154.5 cm) from the bottom of the top hanging bracket. Use level to extend line for lower hanging bracket. **Note: Position lower bracket in same position (left to right) as upper bracket.**



MA9508i

Step 5:
Mount hanging bracket to wall using hardware (not supplied for dispenser.) Mounting hanging bracket(s) to wall for nook use wall anchors and drywall screws provided.

Attention:

Local, city, or national building codes should be followed before using midmark suggested fasteners for installation.

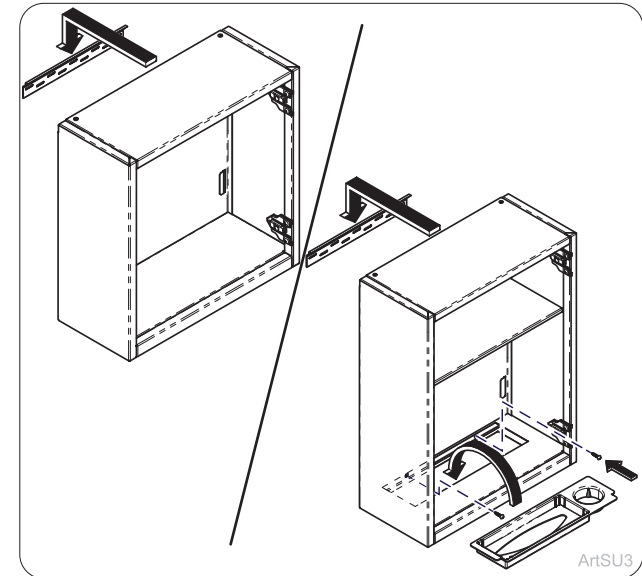
Note: Suggested Fasteners

- Stud walls (standard): #10 x 2 wood screws (coarse threaded).
- Steel studded walls: sheet metal #10 fine screws.
- Hollow type or masonry walls: #10 machine screw expansion anchors of adequate length. A 3/16" short molly or toggle may be used if pre-drilled.
- Rough solid concrete or brick wall: #10 round head wood screw or a specialized masonry fastener.



Caution

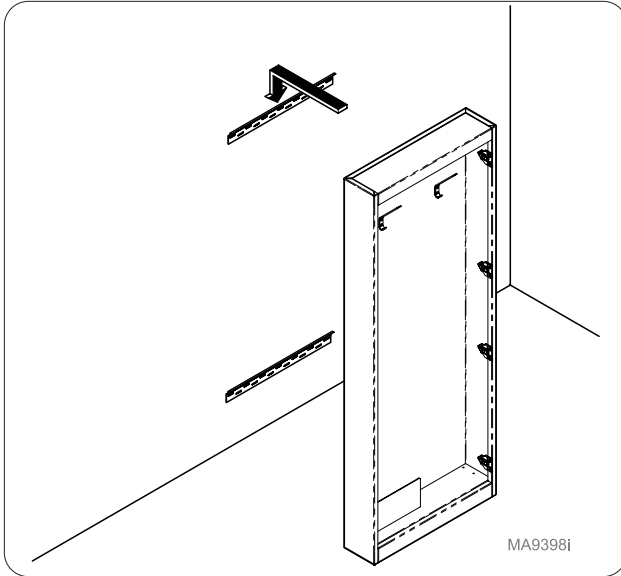
Installer must secure bracket to at least one stud and use wall anchors or toggles on any screws that cannot be secured to studs.



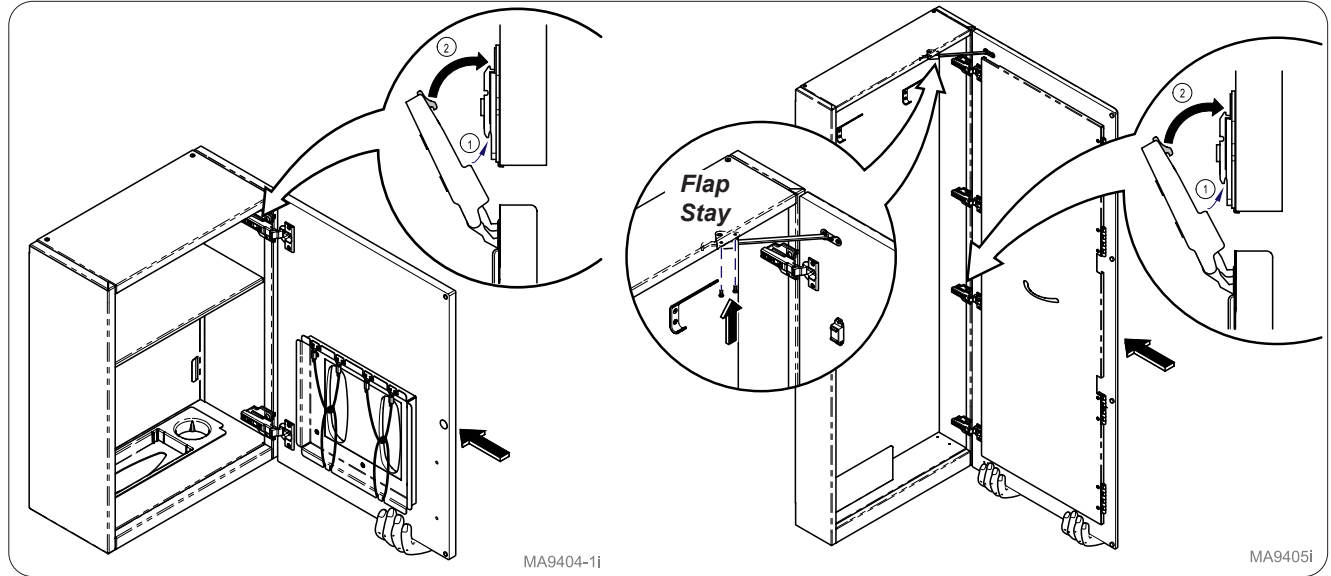
ArtSU3

Step 6: Dispenser
Place dispenser onto hanging bracket. Dispenser with Cup/Towel secure to wall using hardware (not supplied) (x2 screws) then reinstall plastic insert.

Towel/Cup/Glove Dispenser and Dressing Nook Installation

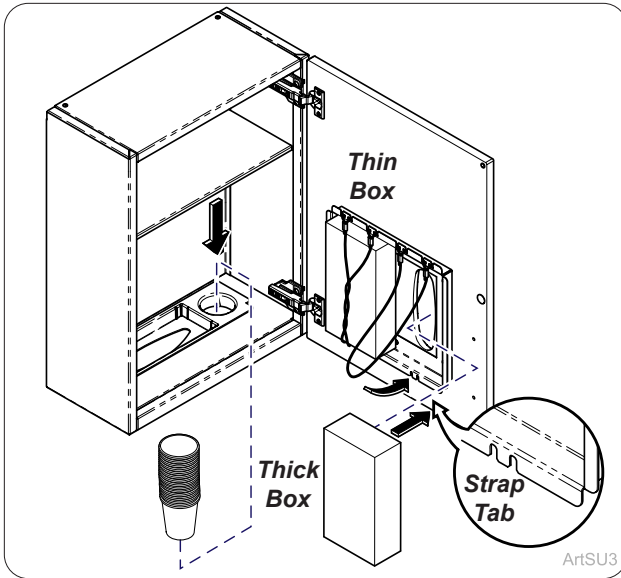


Step 6: Dressing Nook
Place dressing nook onto hanging brackets.

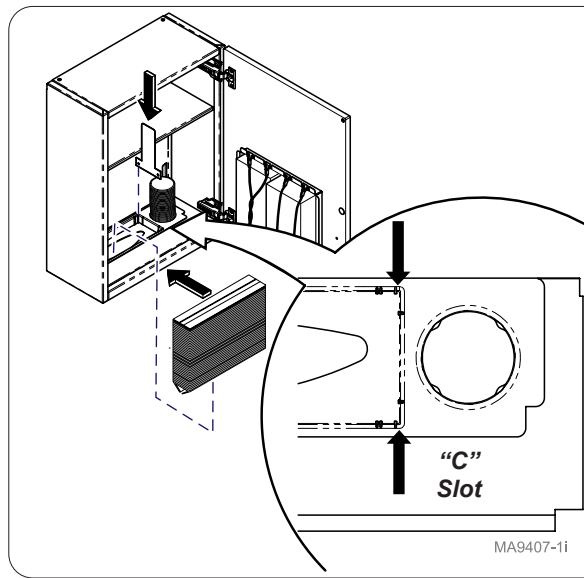


Step 7: Dispenser
Reinstall door onto unit. (x2 hinges)

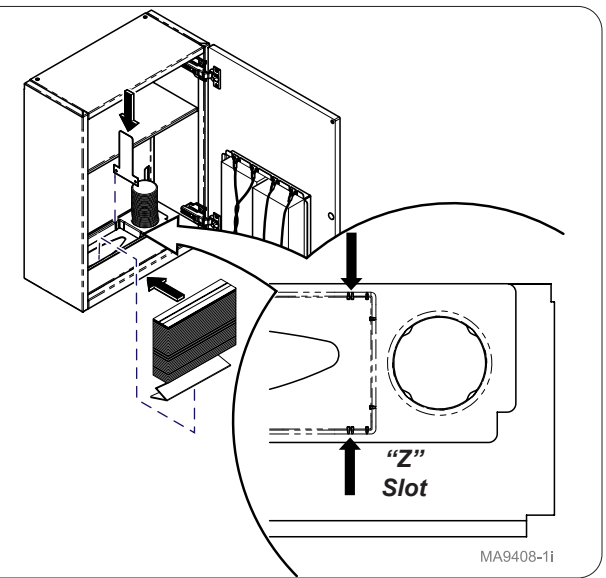
Step 7: Dressing Nook
Reinstall door onto unit. (x4 hinges) and attach flap stay with screws (2) to cabinet.



Step 8: Install Cups and Glove Boxes.
Place standard 5 oz. cups into dispenser hole.
Remove lid from glove box and slide box into slot secure with bungee strap, may need to twist for thin boxes.



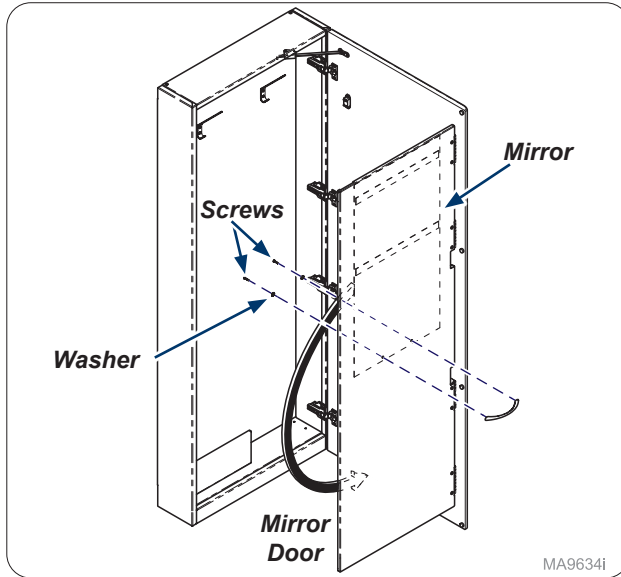
Step 9: Install "C" Style Towels.
Place towel guide in outside slots and place "C" style towels face down.



Step 9: Install "Z" Style Towels.
Place towel guide in inside slots and place "Z" style towels face down.

TP200 Rev. A

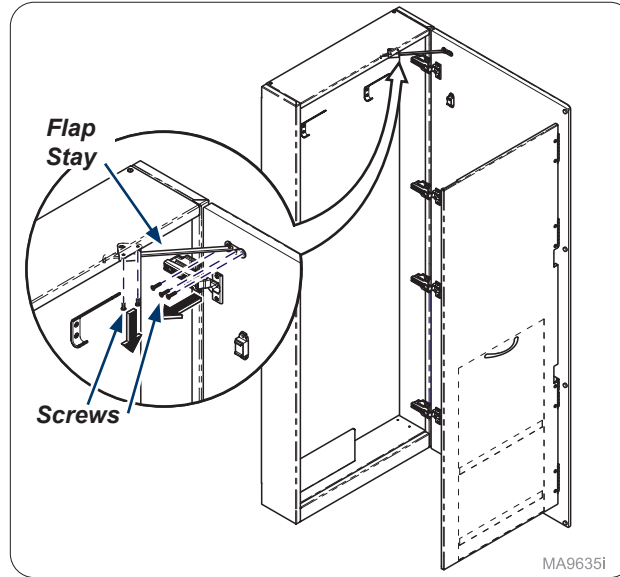
Dressing Nook Door Reversal



MA9634i

Step 1: Rotate Mirror

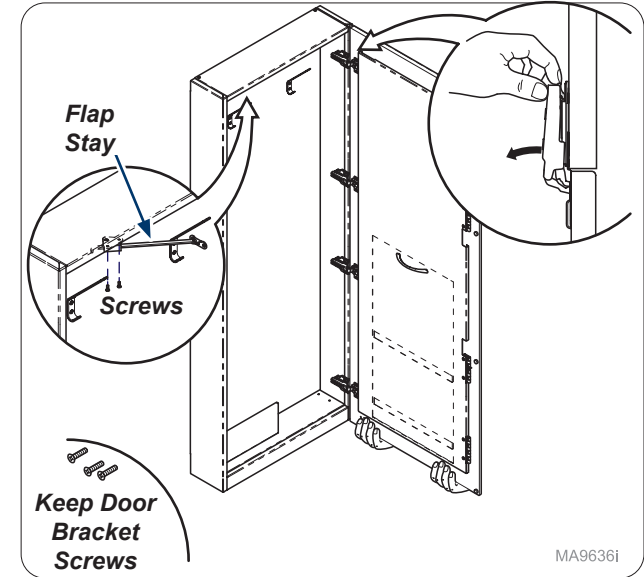
Remove screws (2) and washers (2) from mirror door-handle. Rotate mirror 180° and secure with washers and screws.



MA9635i

Step 2: Remove Flap Stay

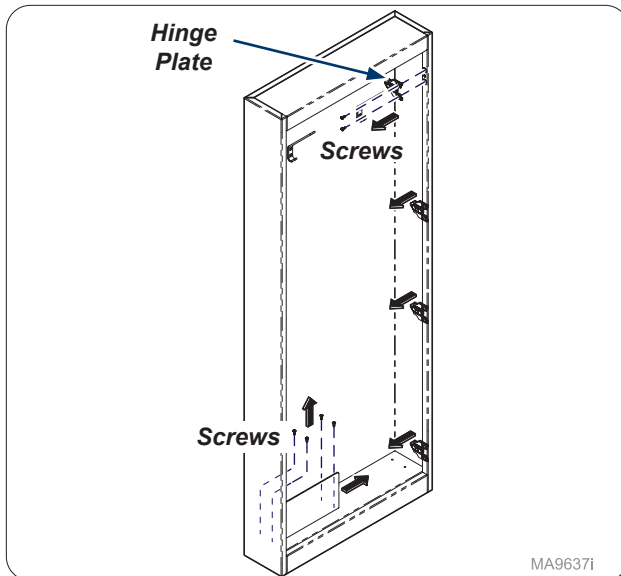
Remove screws (2) from inside cabinet from flap stay. Remove screws (3) from bracket on door.



MA9636i

Step 3: Install Flap Stay and Remove Door.

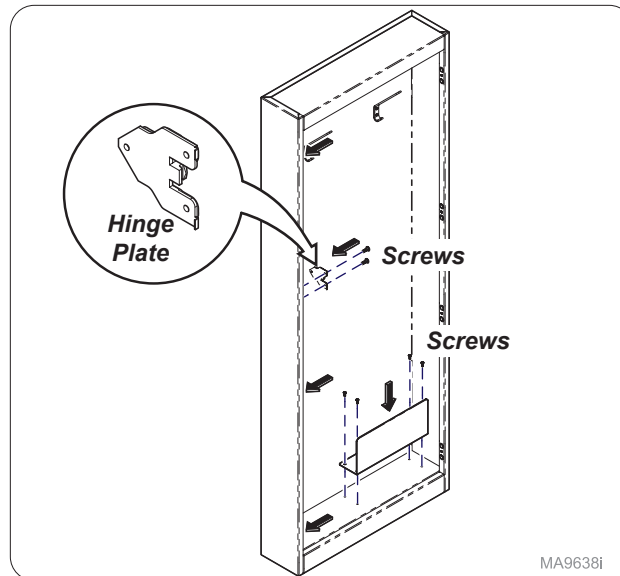
Install flap stay on opposite side of cabinet as shown. Remove dressing nook door. (4 hinges)



MA9637i

Step 4: Remove Hinges and Shoe Holder

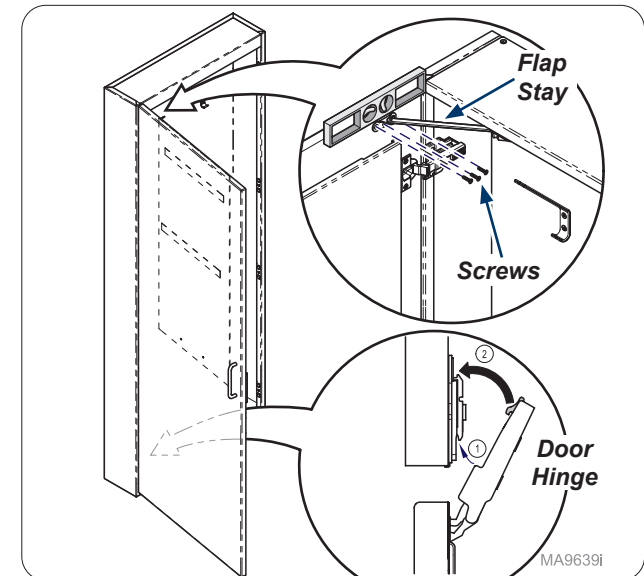
Remove screws (4) from shoe holder. Remove screws (8) and hinge plates (4) from inside cabinet.



MA9638i

Step 5: Install Hinges and Shoe Holder

Mount shoe holder with screws (4) on opposite side of cabinet. Attach hinge plates (4) with screws(8).

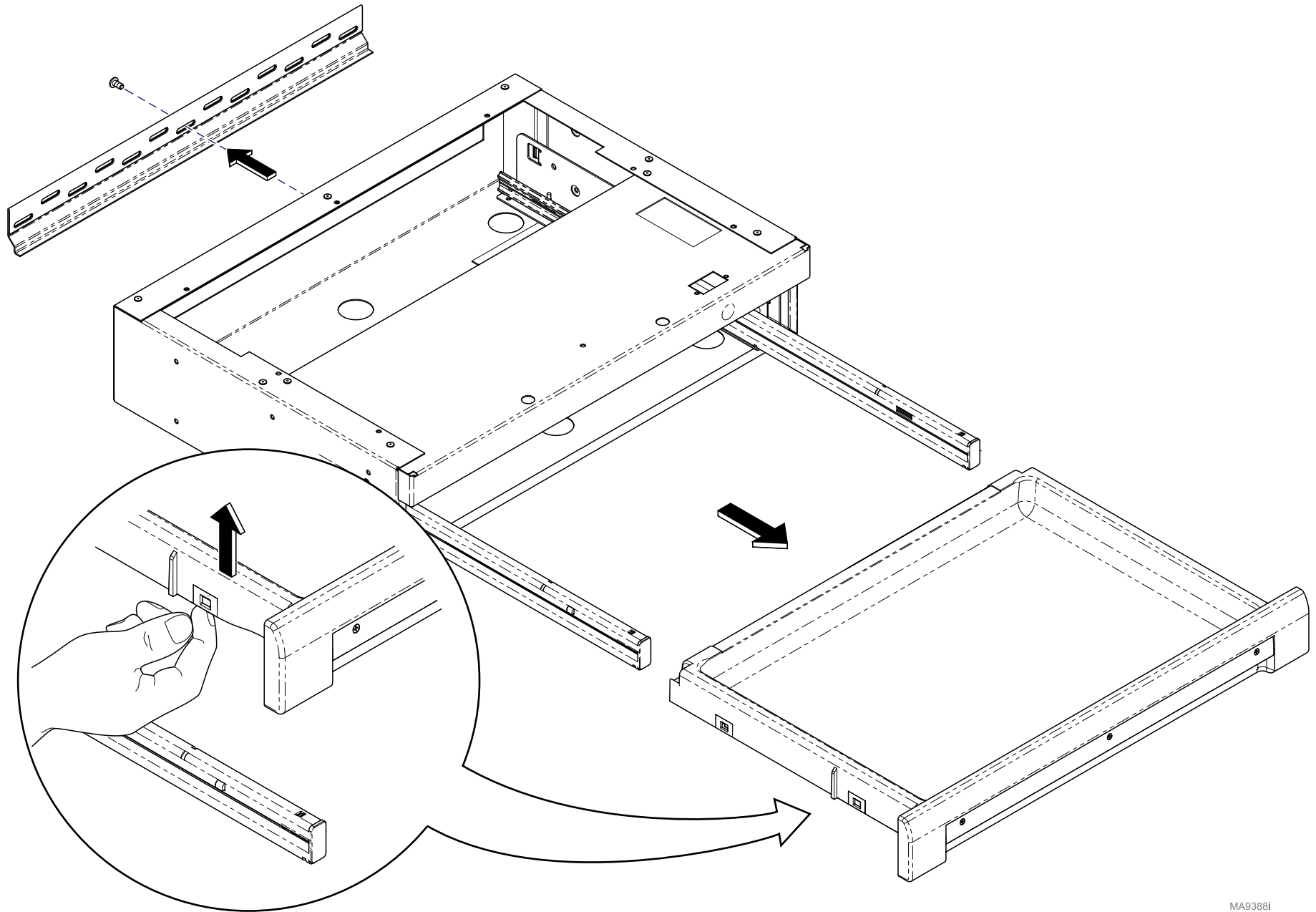


MA9639i

Step 6: Install Door and Flap Stay.

Reinstall door onto cabinet (x4 hinges). To install flap stay, open door to full extension. Flap stay must be level before securing flap stay bracket to door with screws (3).

Desk Unit Installation

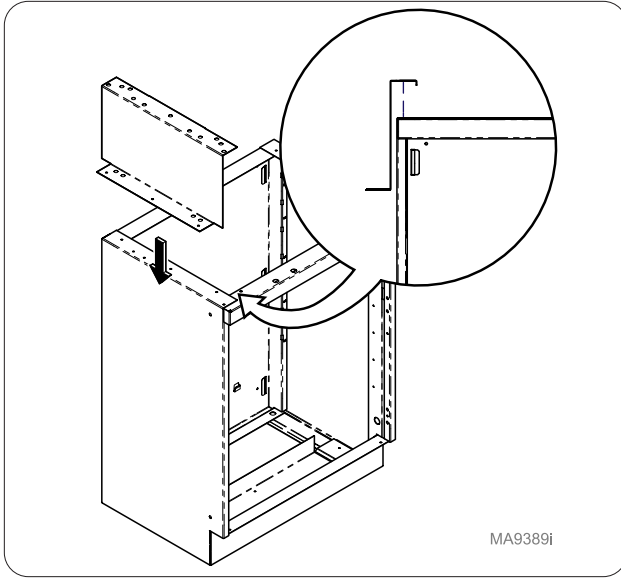


Step 1:
Remove drawer and hanging bracket from unit.

A Synthesis® Cabinetry Collection Drawing (Room Layout) should be provided for each install. If Installer does not receive drawings please contact Midmark at 1-800-MIDMARK (643-6275)

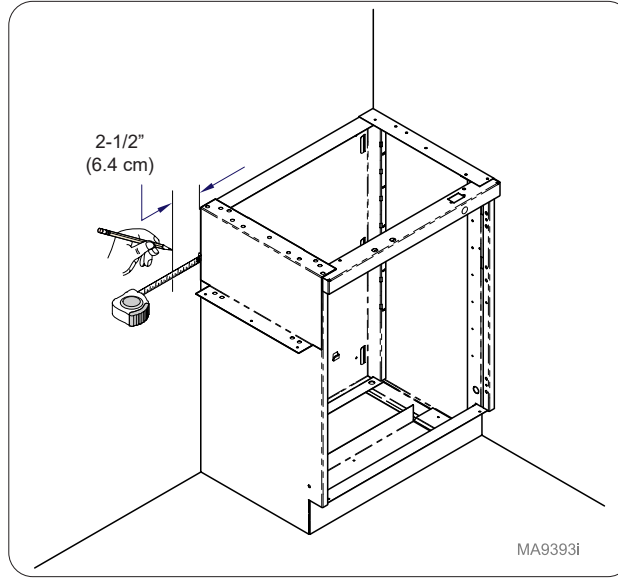
MA9388i

Desk Unit Installation



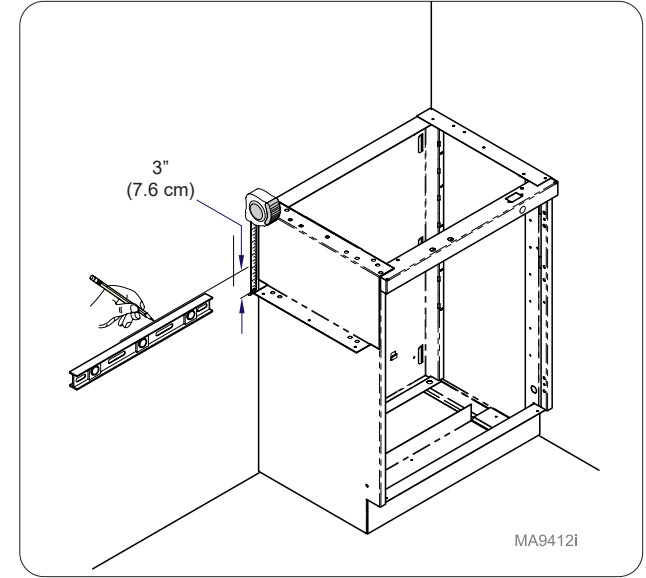
MA9389i

Step 2:
Hook Z-bracket on top side of connected cabinet.



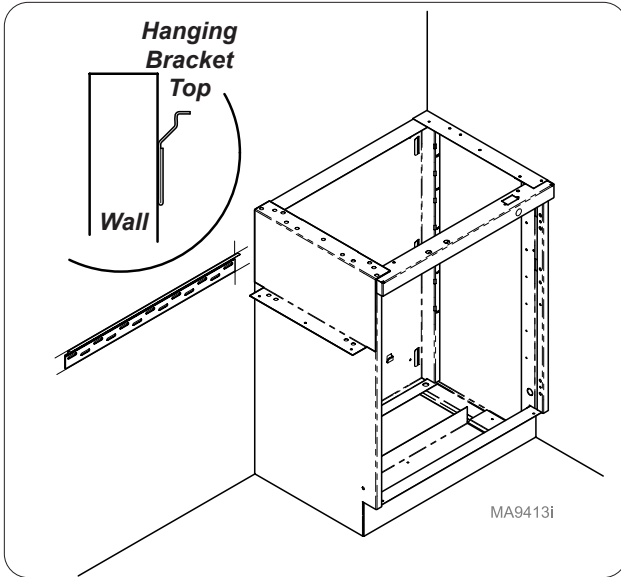
MA9393i

Step 3:
Measure 2-1/2" (6.4 cm) away from Z bracket and mark for start of hanging bracket.



MA9412i

Step 4:
Measure up 3" (7.6 cm) from bottom of Z-bracket and mark for bottom of hanging bracket.



MA9413i

Step 5:
Mount hanging bracket to wall using hardware (not supplied).

Attention:

Local, city, or national building codes should be followed before using midmark suggested fasteners for installation.

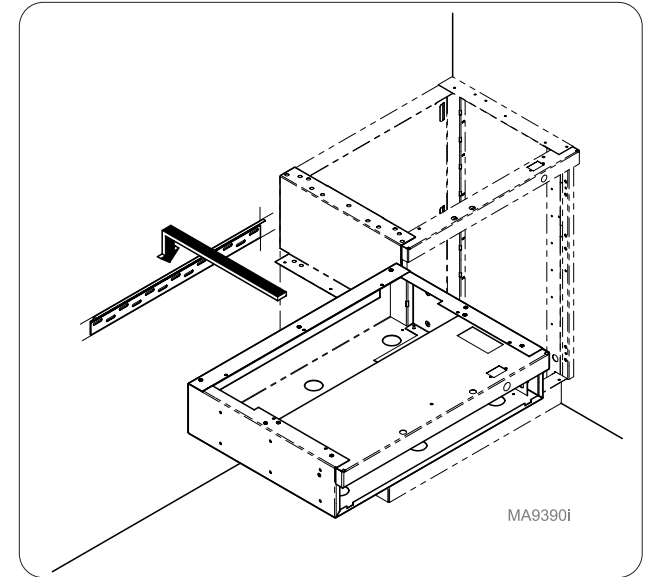
Note: Suggested Fasteners

- Stud walls (standard): #10 x 2 wood screws (coarse threaded).
- Steel studded walls: sheet metal #10 fine screws.
- Hollow type or masonry walls: #10 machine screw expansion anchors of adequate length. A 3/16" short molly or toggle may be used if pre-drilled.
- Rough solid concrete or brick wall: #10 round head wood screw or a specialized masonry fastener.



Caution

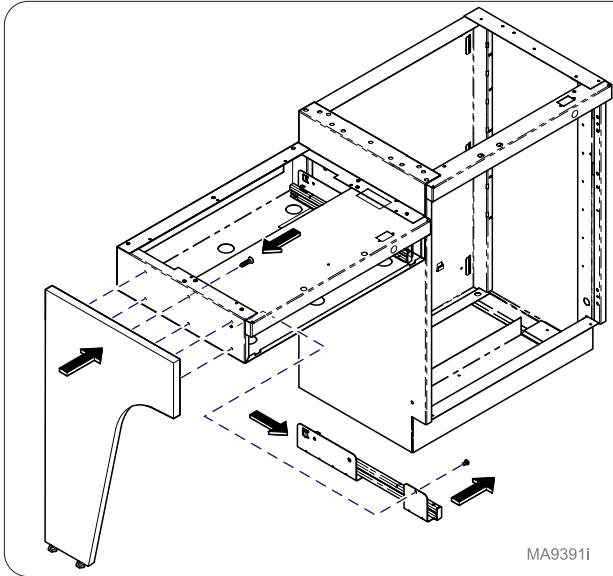
Installer must secure bracket to at least one stud and use wall anchors or toggles on any screws that cannot be secured to studs.



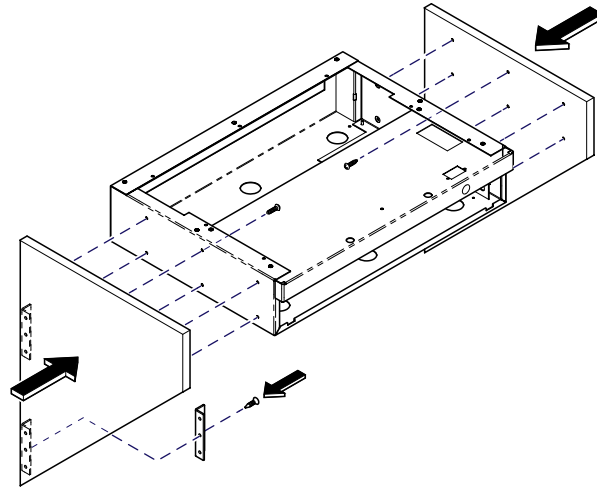
MA9390i

Step 6:
Place desk unit onto hanging bracket.

Desk Unit Installation



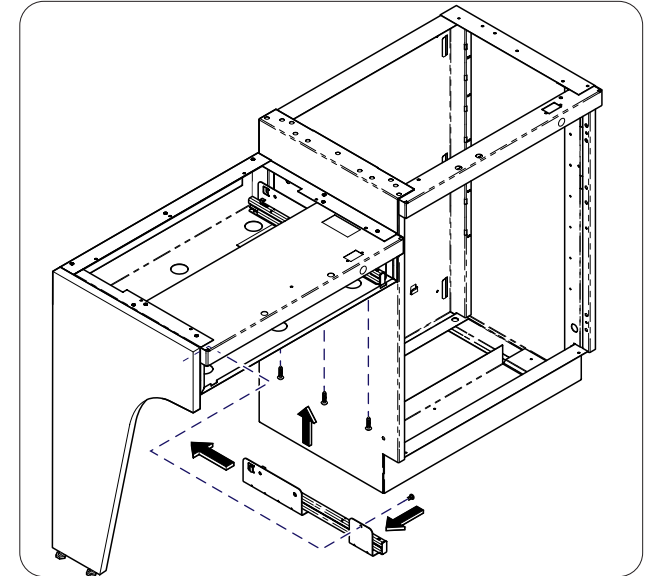
MA9391i



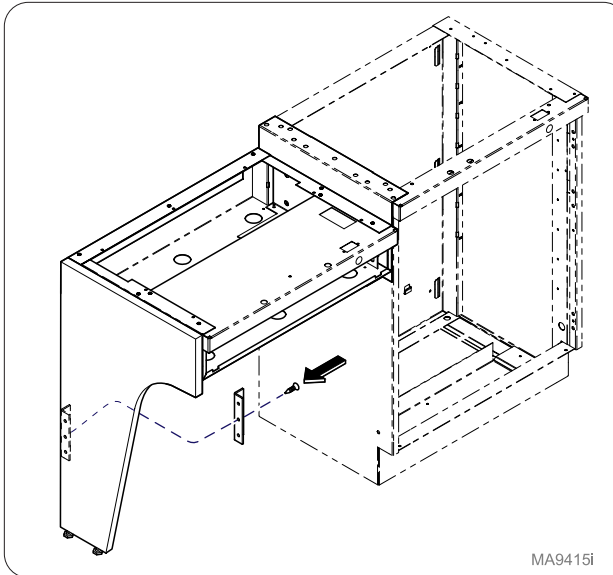
MA9392i

Step 7:
Note: Remove slide(s) when attaching anything to side of desk. Attach leg onto desk unit using hardware provided. (x6 screws)

Step 7: Stand-alone Unit
 Attach side panels on both sides using hardware provided. (x6 screws per side) **Note:** Desk countertop must be 38" (96.5 cm) above floor to use this configurations.

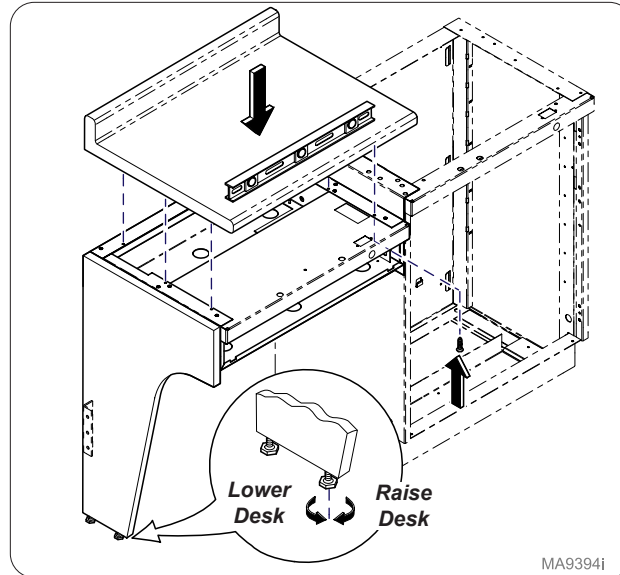


Step 8:
 Secure desk to Z bracket using hardware provided. (x3 screws) and reinstall slide(s).



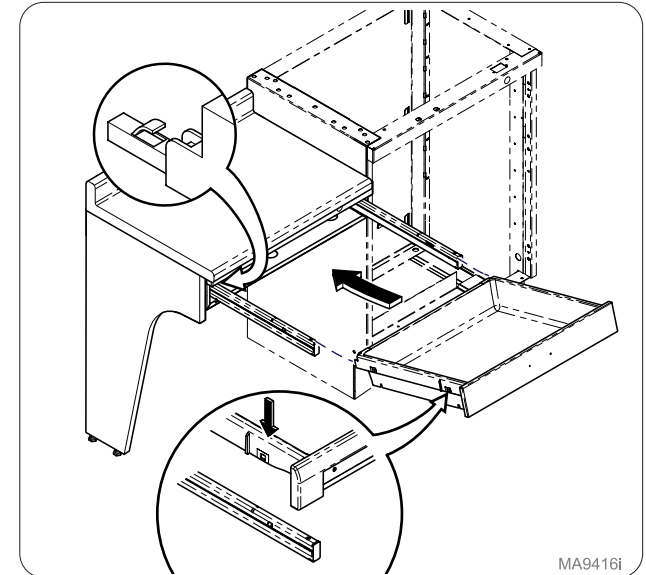
MA9415i

Step 9:
 Attach leg bracket to leg using hardware provided. (x3 screws)



MA9394i

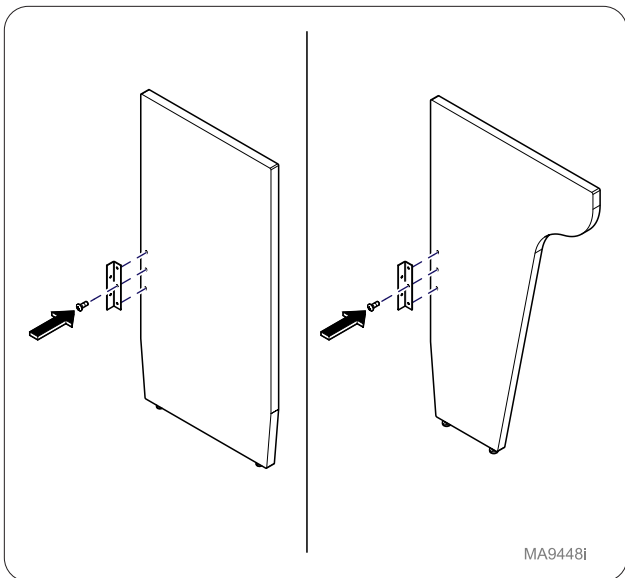
Step 10:
 Adjust leveling screws as shown to level desk. Then secure leg bracket to wall (x2 screws). Install countertop using hardware provided.



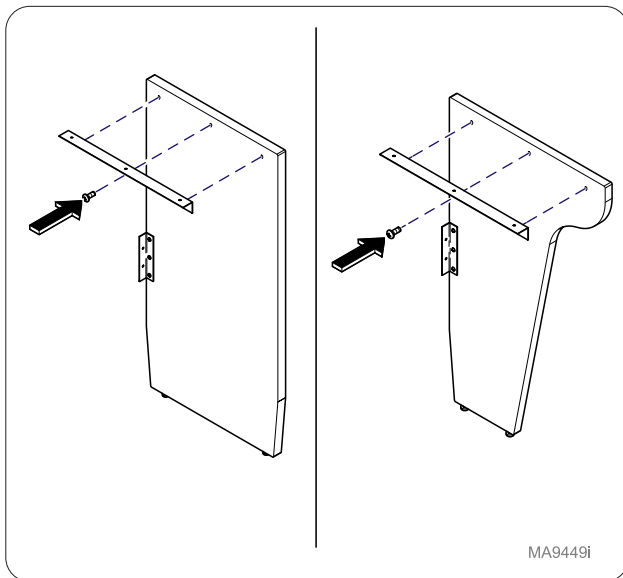
MA9416i

Step 11:
 Reinstall drawer into unit as shown.

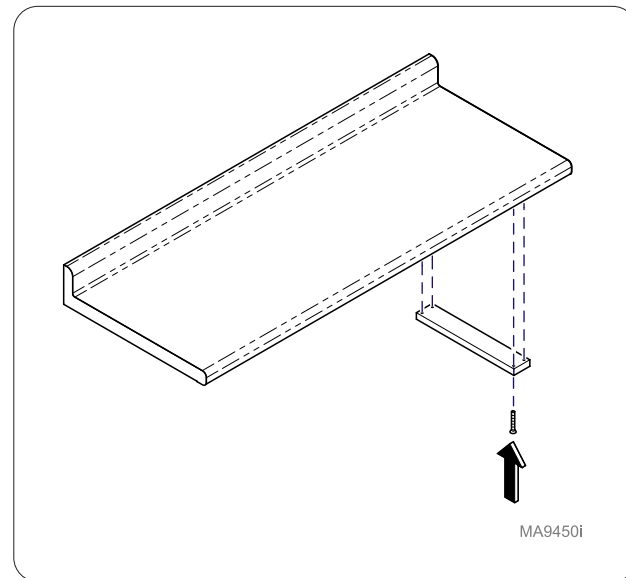
Stand-Alone Base Unit Installation



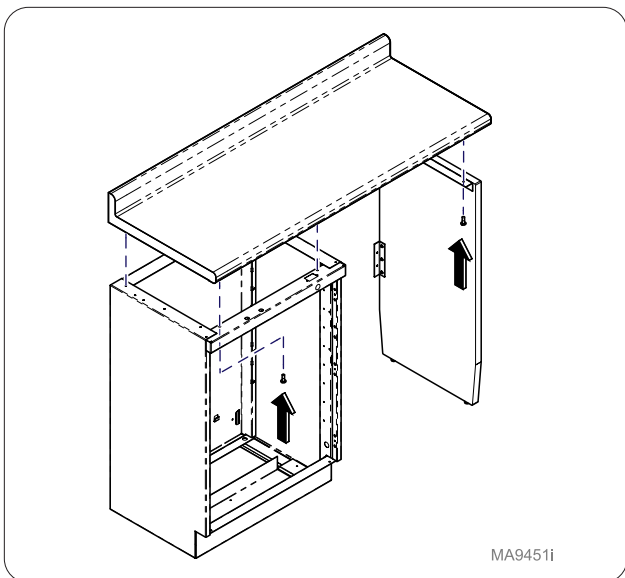
Step 1:
Attach leg bracket onto leg using hardware supplied.



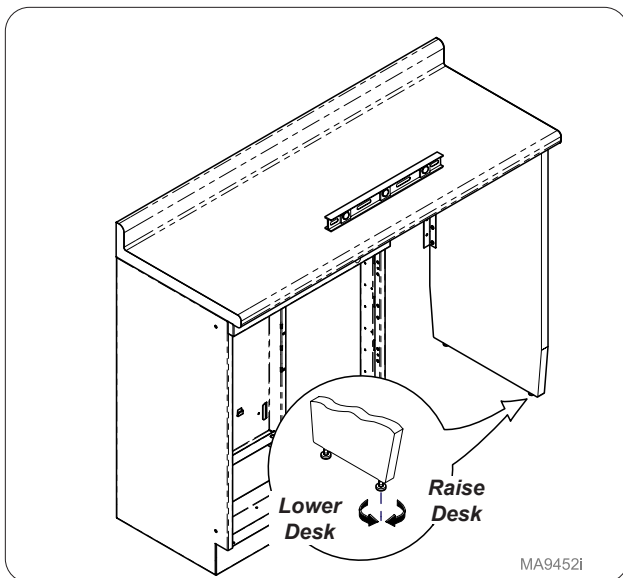
Step 2:
Attach support bracket for countertop using hardware supplied.



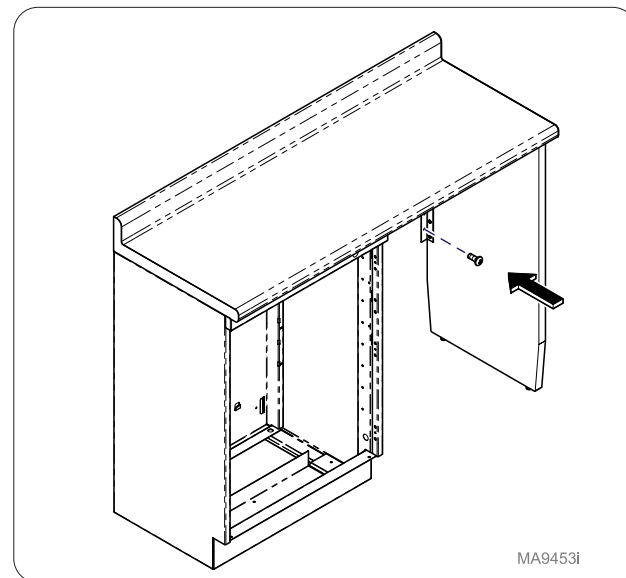
Step 3 :
Attach countertop filler to underside of countertop. This filler will allow the countertop to be attached to the support bracket so align accordingly.



Step 4:
Secure countertop to base unit & leg using hardware provided.

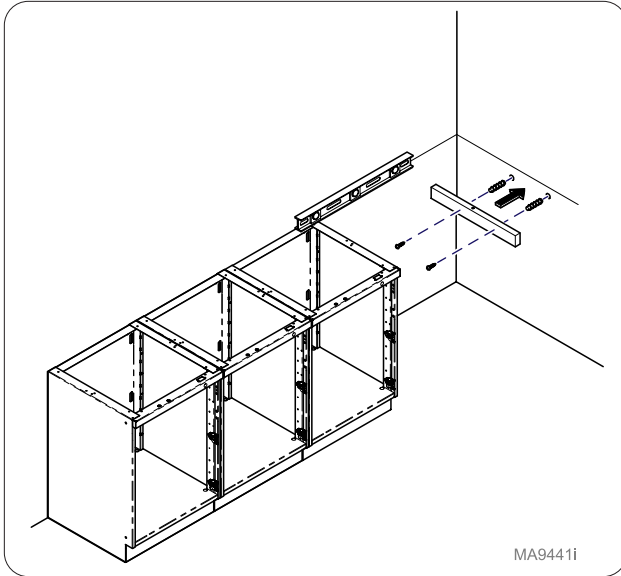


Step 5:
Adjust leveling screws as shown to level unit.

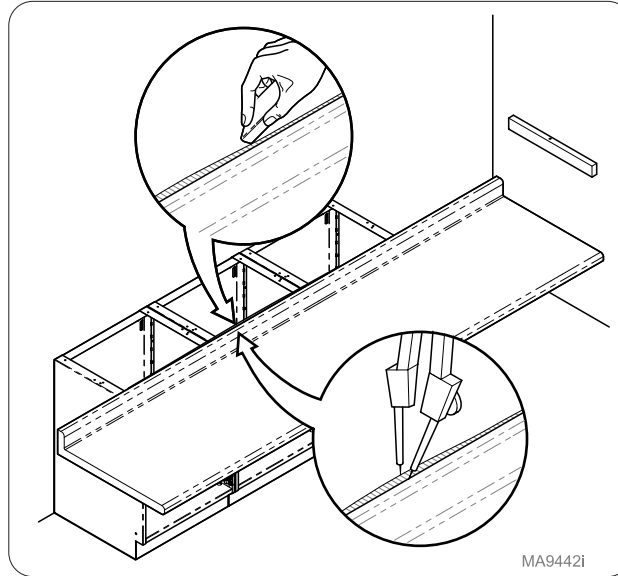


Step 6:
Secure bracket to wall using hardware (not supplied).

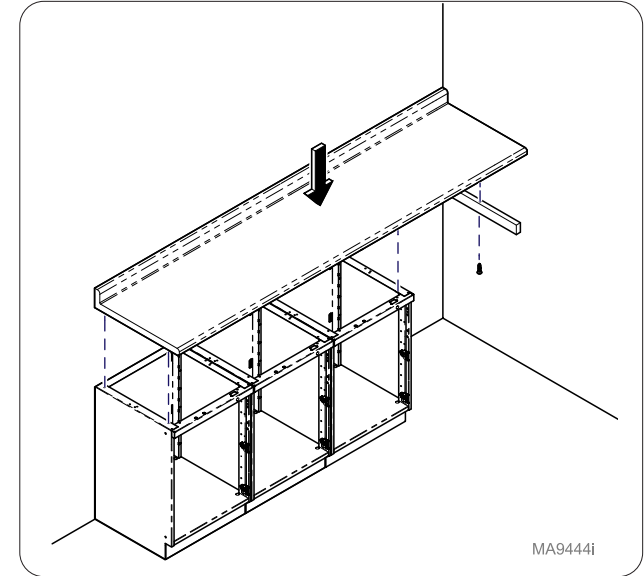
Countertop Installation



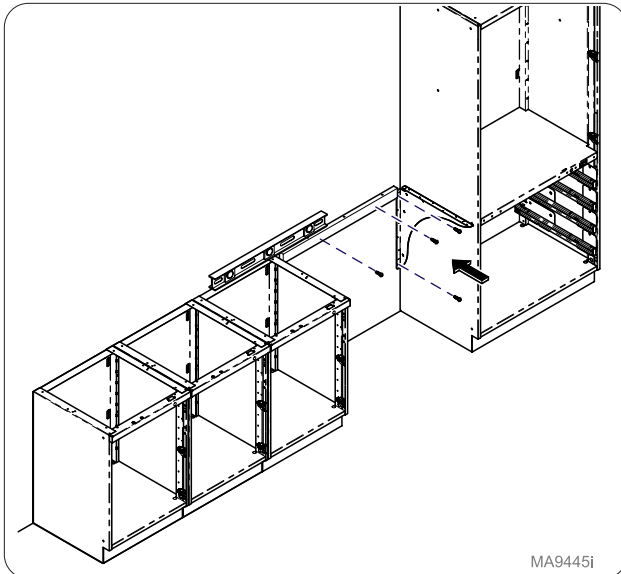
Step 1:
Use a level to mark height of cabinet on wall. Mount running supports to wall by hitting available studs. Use 3/16" short mollies if no studs can be found.



Step 2:
Use a compass to scribe backsplash on back of counter. If it measures more than 1/16" sanding will be needed. Sand the countertop(s) as necessary to form to wall.



Step 3:
Secure countertop(s) to base unit using #10 x 5/8" screws provided.

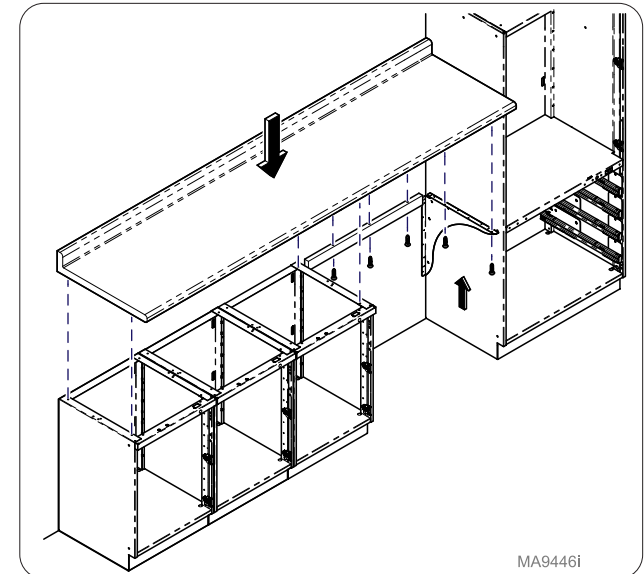


Step 1: w/ Tall Unit
Use level to mark height of cabinet on wall. Mount support and metal bracket to wall by hitting available studs. Use 3/16" short mollies if no studs can be found.



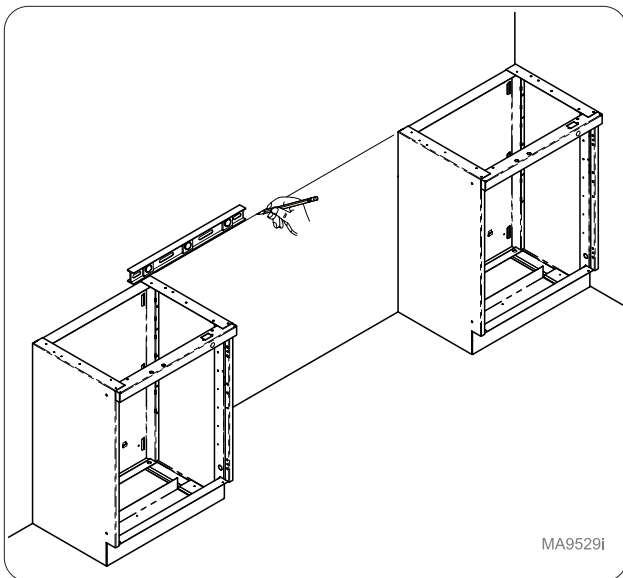
Equipment Alert

When countertops are installed adjacent to 72" & 84" units, a rounded or tapered edge must be created on the countertop corner so that the 120 degree hinged doors do not become damaged.



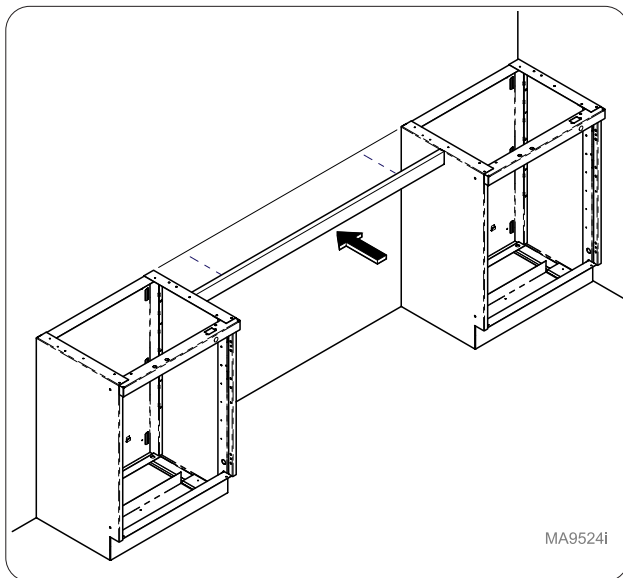
Step 2: w/ Tall Unit
Secure countertop(s) to base unit, running support and metal bracket using #10 x 5/8" screws provided.

Open Area Countertop Installation



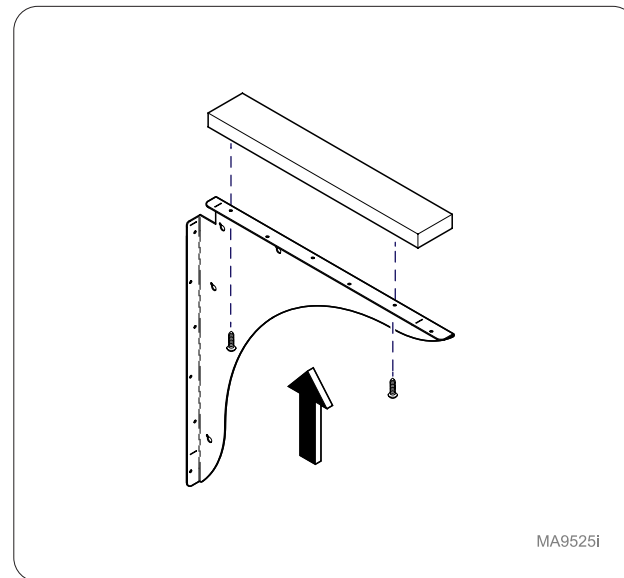
MA9529i

Step 1:
Use a level to mark height of cabinet on wall. Mount running supports to wall by hitting available studs. Use 3/16" short mollies if no studs can be found.



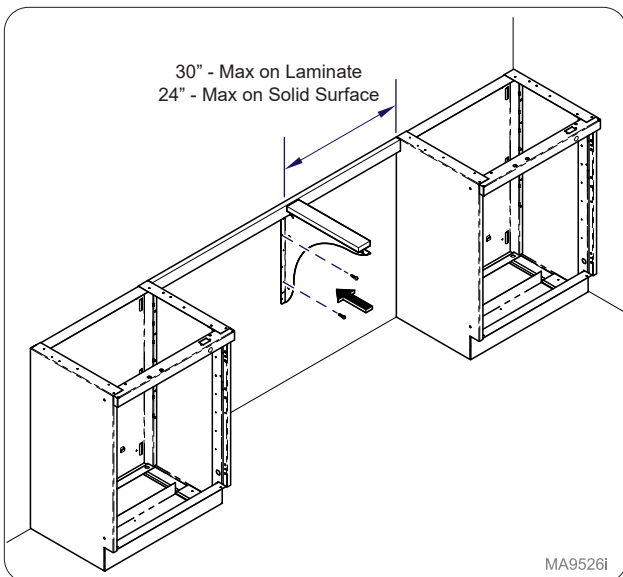
MA9524i

Step 2:
Mount running support to wall using hardware (not supplied).



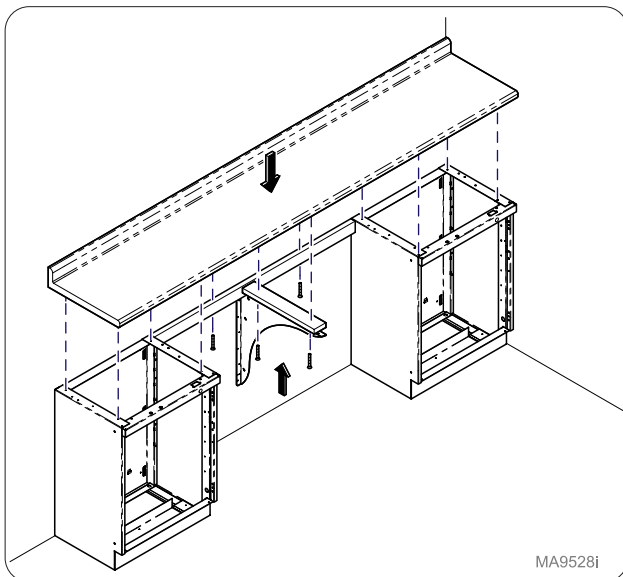
MA9525i

Step 3:
Attach counter filler to underside of countertop. This filler will allow the countertop to be attached to the metal support bracket so align accordingly.



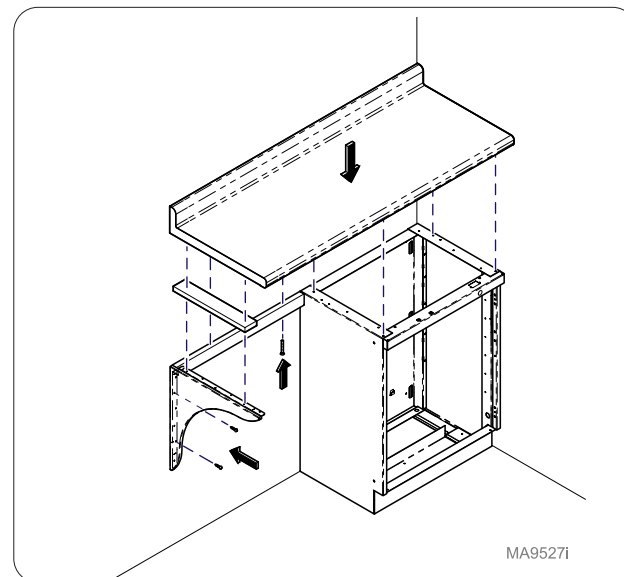
MA9526i

Step 4:
Mount metal support bracket to wall. Hit stud if available. Use 3/16" short mollies if no studs can be found.



MA9528i

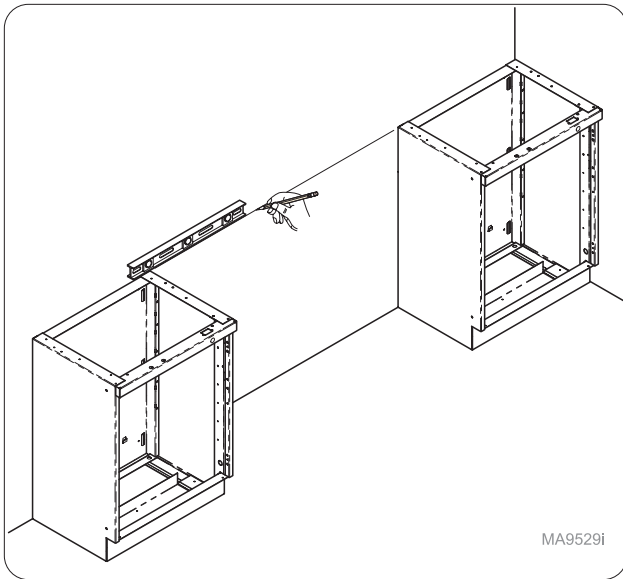
Step 5:
Secure countertop(s) to base unit, running support and metal bracket using #10 x 5/8" screws provided.



MA9527i

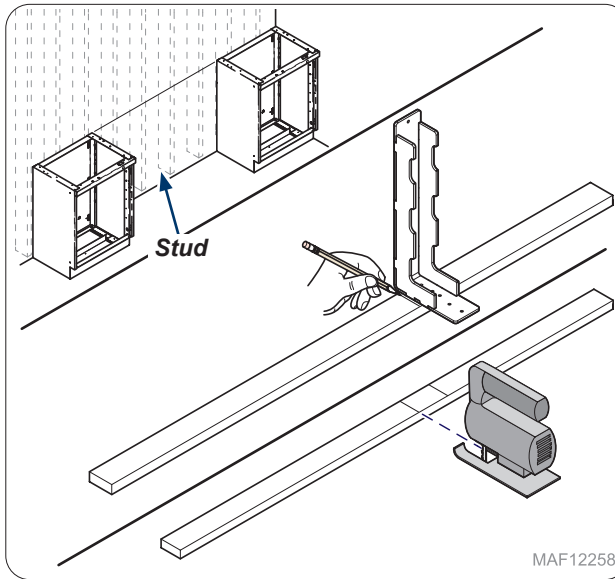
Step 6:
If second base unit is not present, a metal bracket with panel will be supplied. Mount bracket to wall and secure countertop as shown in previous steps.

Open Area Countertop Installation



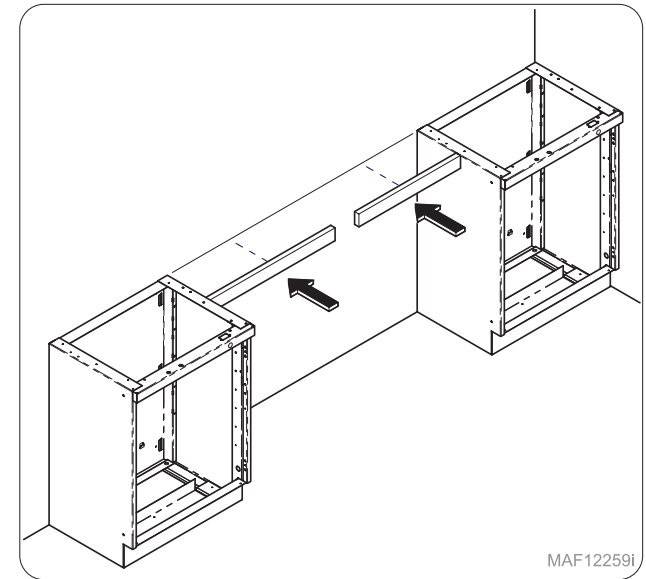
MA9529i

Step 1:
Use a level to mark height of cabinet on wall. Mount running supports to wall by hitting available studs. Use 3/16" short mollies if no studs can be found.



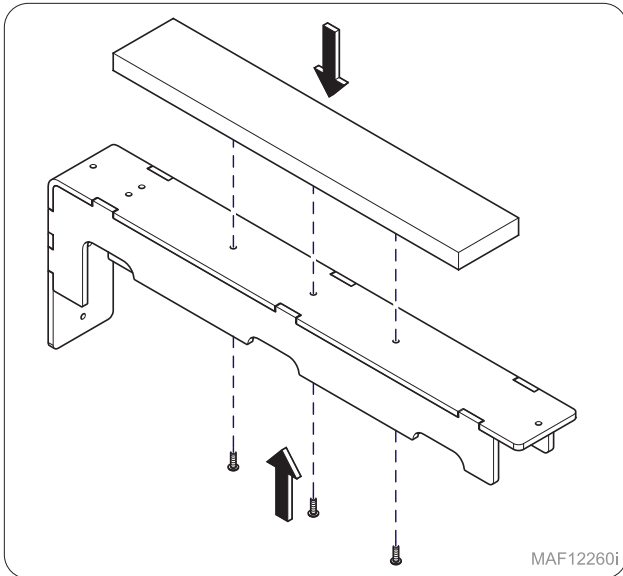
MAF12258i

Step 2:
Find wall stud and measure running support and mark. Cut running support where bracket can be mounted to wall between running support.



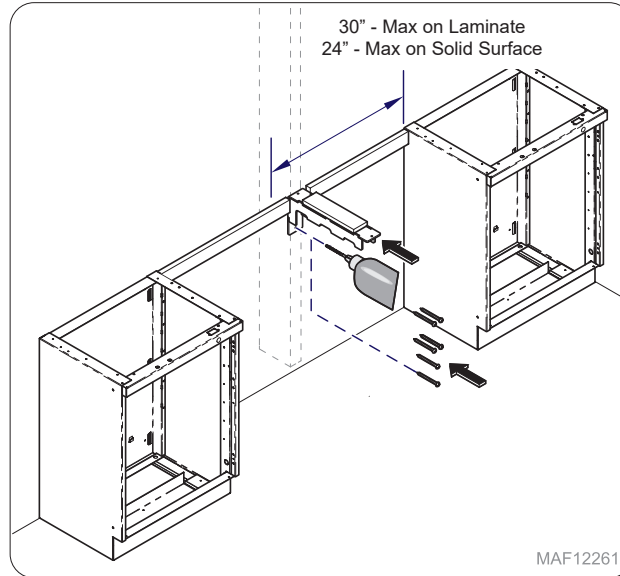
MAF12259i

Step 3:
Mount running support to wall using hardware (not supplied).



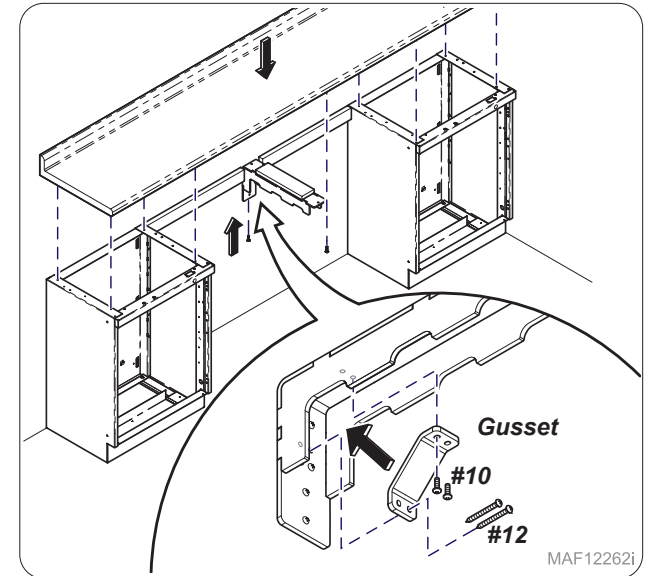
MAF12260i

Step 4:
Attach counter filler to underside of countertop support. This filler will allow the countertop to be attached to the metal support bracket so align accordingly.



MAF12261i

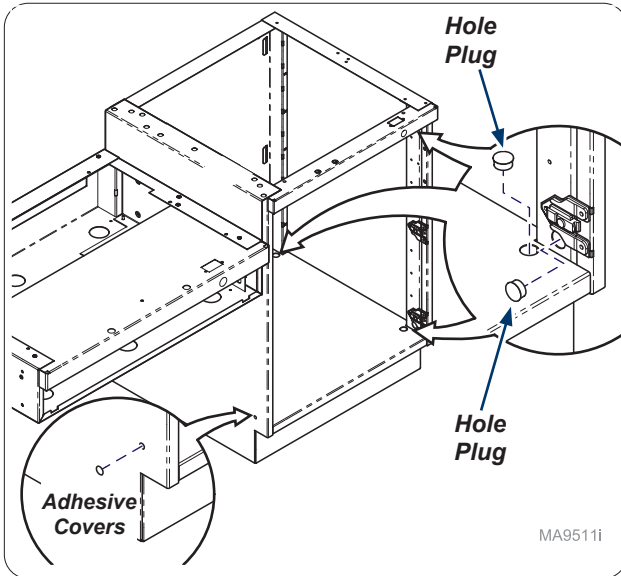
Step 5:
Pre-drill pilot holes to prevent stud from splitting. Mount metal support bracket to wall hitting stud for maximum support with #12 screws (6).



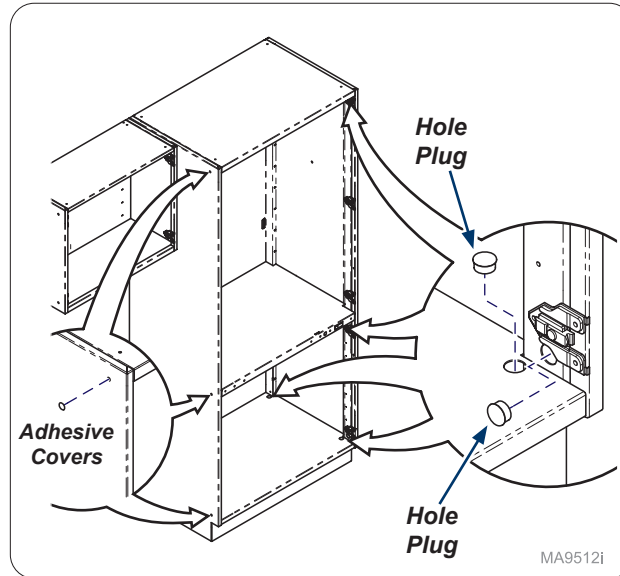
MAF12262i

Step 6:
Secure countertop(s) to base unit, running support and support arm using #10 screws provided. Install gusset to bottom of support arm as shown.

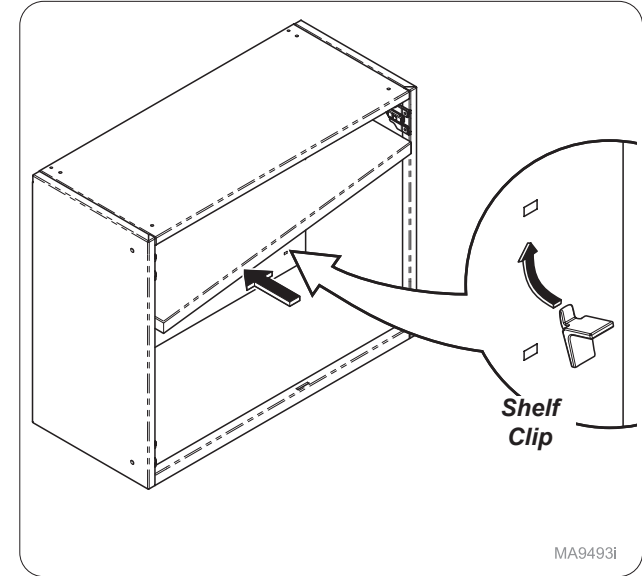
Installing Doors, Handles and More



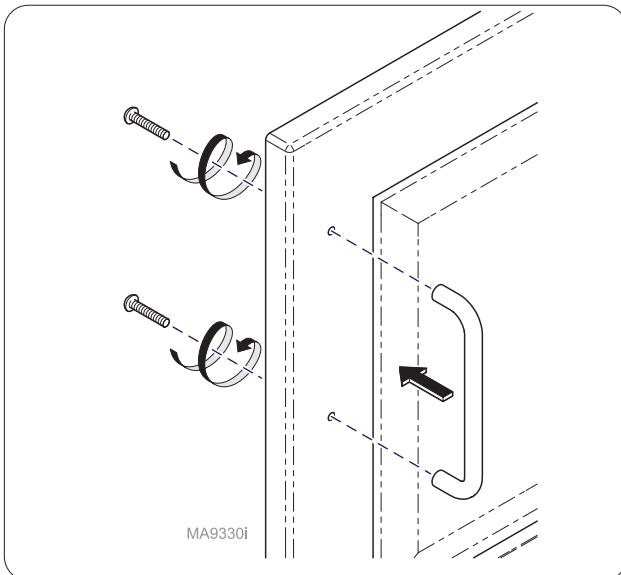
Installing Hole Plugs and Adhesive Covers
 Insert hole plug covers as needed (max of 6).
 Place adhesive covers on side of cabinet as needed.



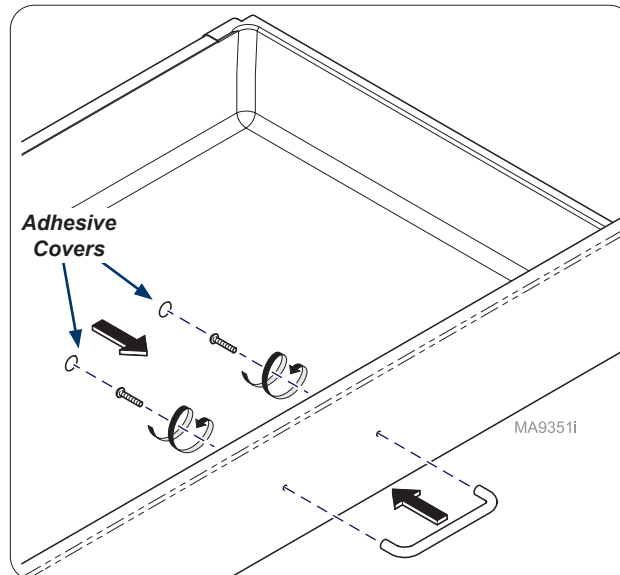
Installing Hole Plugs and Adhesive Covers
 Insert hole plug covers as needed (max of 10).
 Place adhesive covers on side of cabinet as needed.



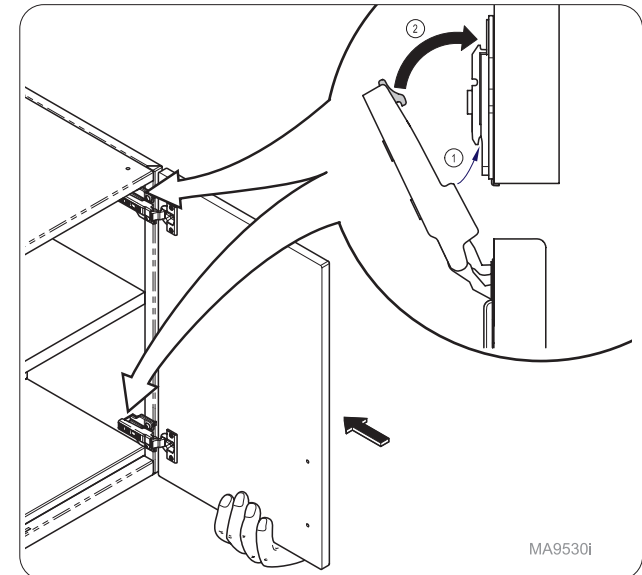
Installing Shelf Clips & Shelf
 Tilt shelf to fit into cabinet as shown. Install shelf clips and place shelf on top of clips.



Installing Handles (If applicable)
 Install door handle using hardware supplied.

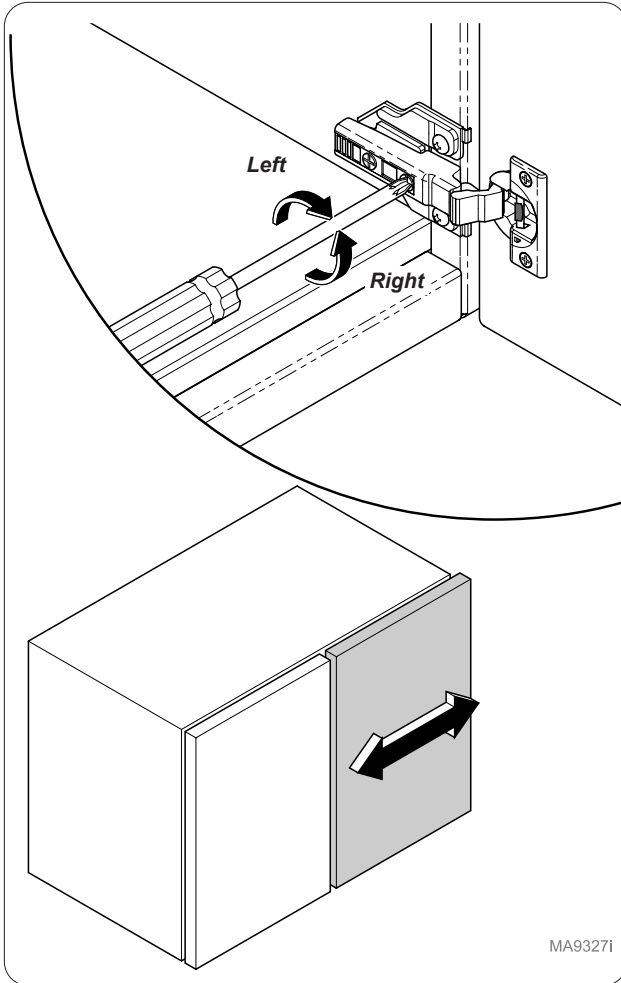


Installing Handles (If applicable)
 Install drawer handle using hardware supplied. Place adhesive covers over screw heads.



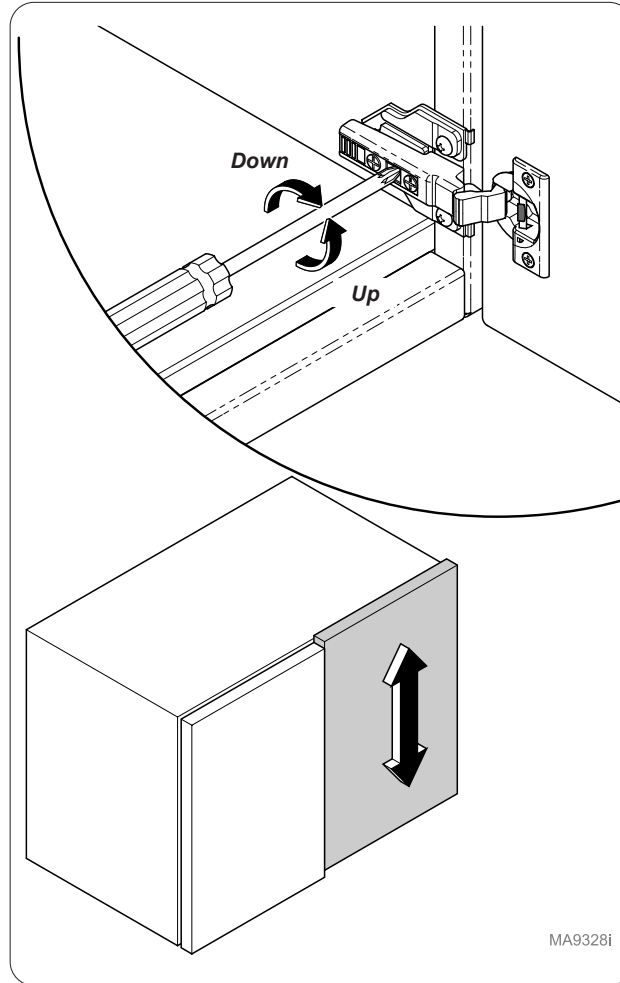
Installing Doors
 Install doors as shown.

Door Adjustment



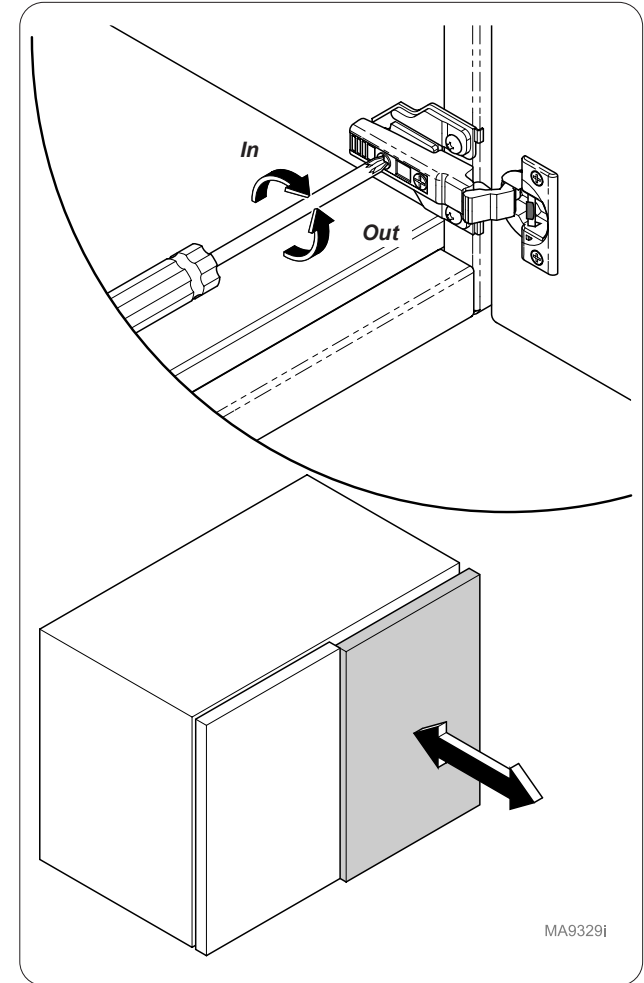
Door Adjustment Side to Side

Turn screw located closest to door to increase or decrease the door overlay side to side (+ or - 2 mm).



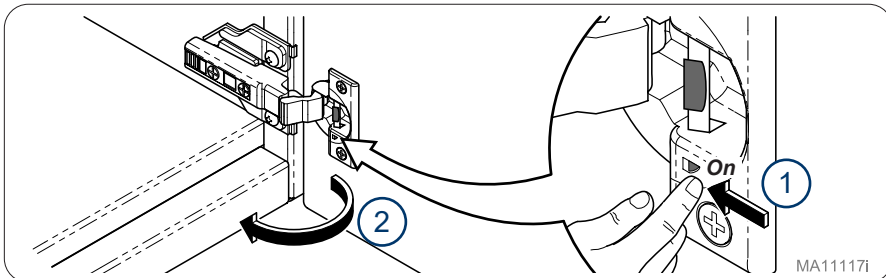
Door Adjustment Up and Down

Turn cam screw located in center of mounting plate to adjust door position up or down (+ or - 2 mm).



Door Adjustment Away or Closer

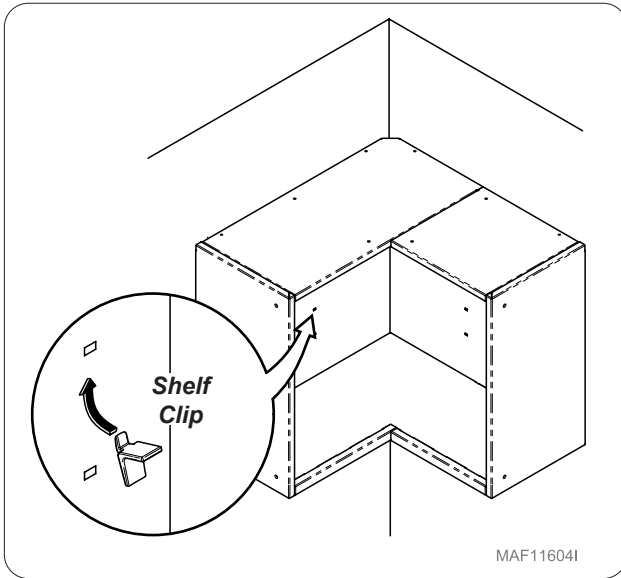
Turn Spiral Tech cam screw located furthest from door to position the door farther from or closer to cabinet (+3 mm or -2 mm).



Turning off/on Soft-Close Door Hinge

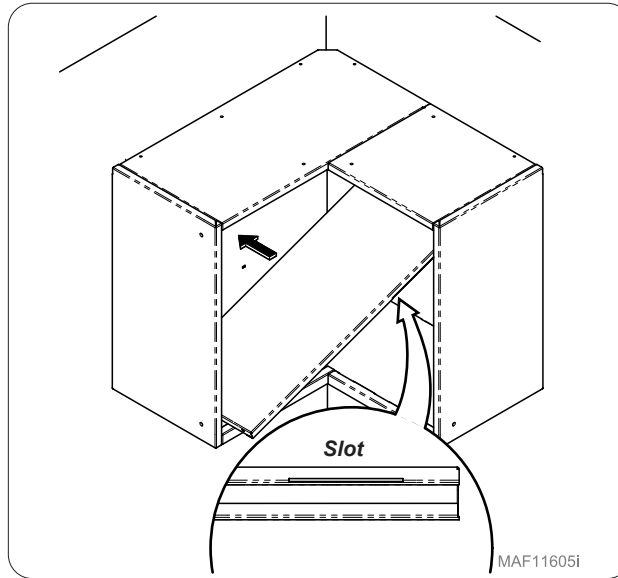
Push switch toward hinge plate and close door once to turn off soft-closing hinge. Reactivate Soft-close hinge pushing switch towards door handle.

Installing 90° and 45° Corner Shelves



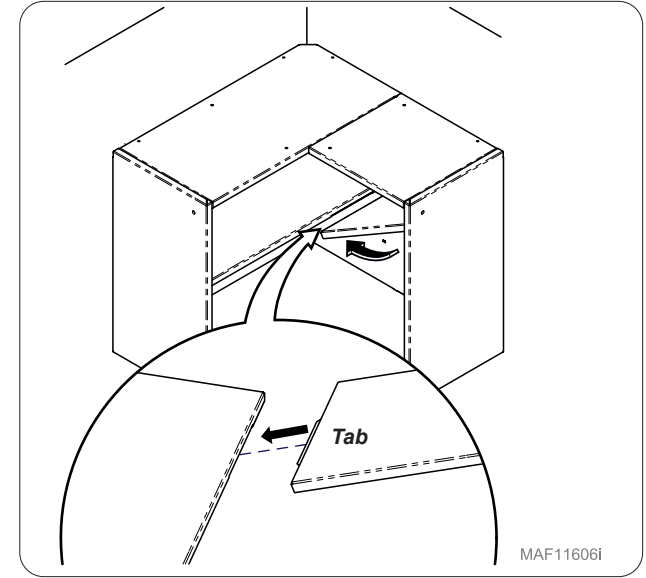
MAF11604i

Installing Shelf Clips for 90°
Install shelf clips and place shelf on top of clips.



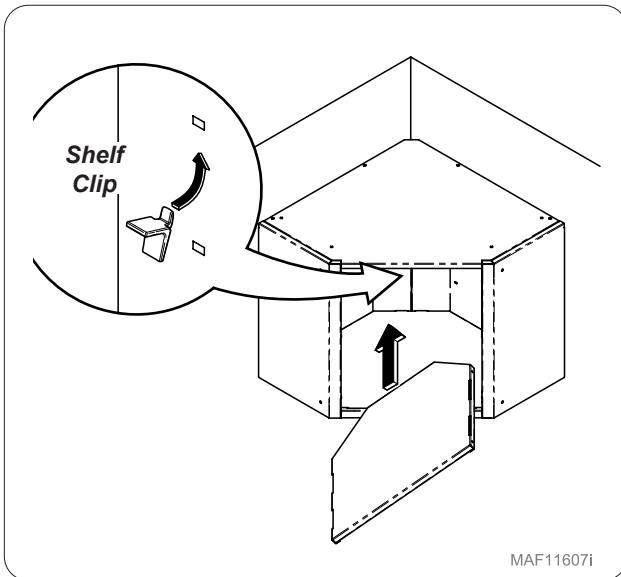
MAF11605i

Installing Corner Shelving w/ Slot 90°
Install corner shelf with slot onto shelf clips. Slot needs to face open end of overhead.



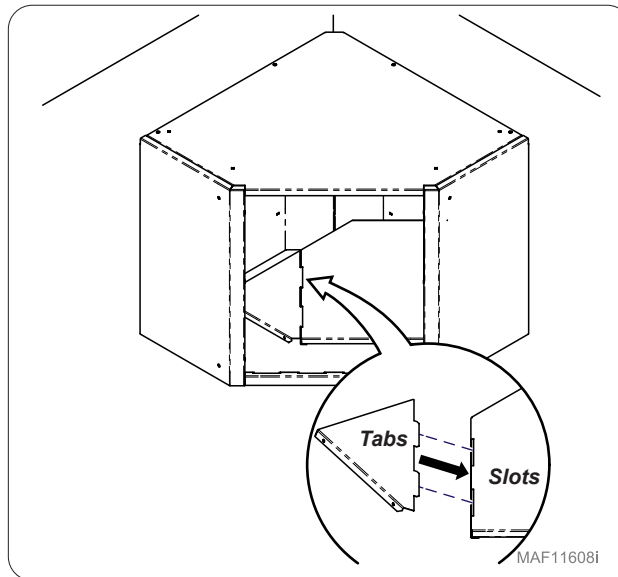
MAF11606i

Installing Corner Shelving w/ Tab 90°
Slide tab into bottom slot in other shelf and place onto shelf clips.



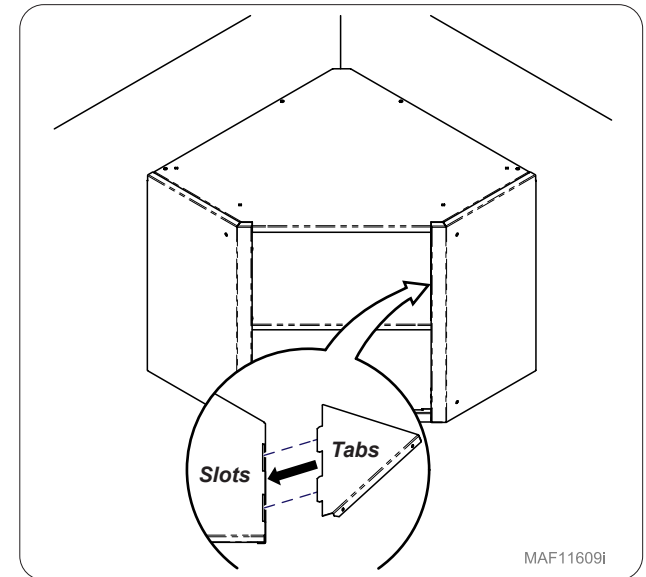
MAF11607i

Installing Shelf Clips for 45°
Install shelf clips and slide center shelf into overhead.



MAF11608i

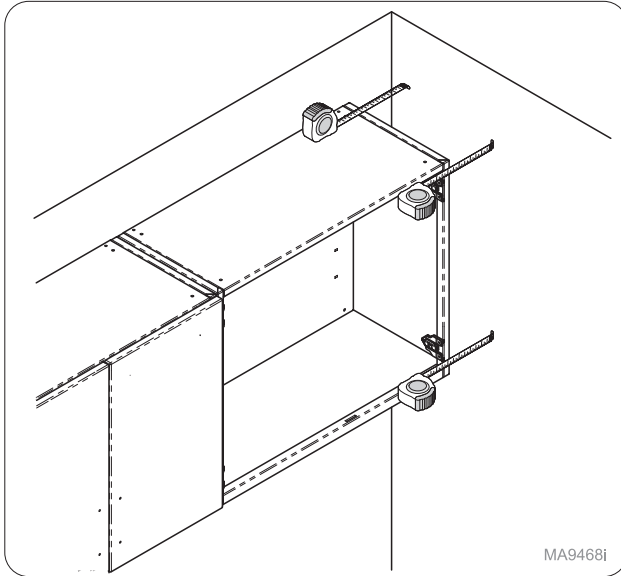
Installing LH Corner Shelving 45°
Assemble left hand corner shelf tabs into slots of center shelf inside cabinet and place on shelf clips.



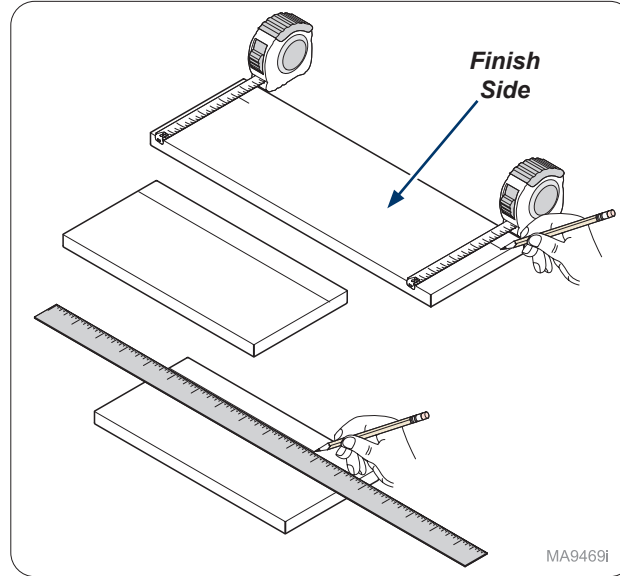
MAF11609i

Installing RH Corner Shelving 45°
Assemble right hand corner shelf tabs into slots of center shelf inside cabinet and place on shelf clips.

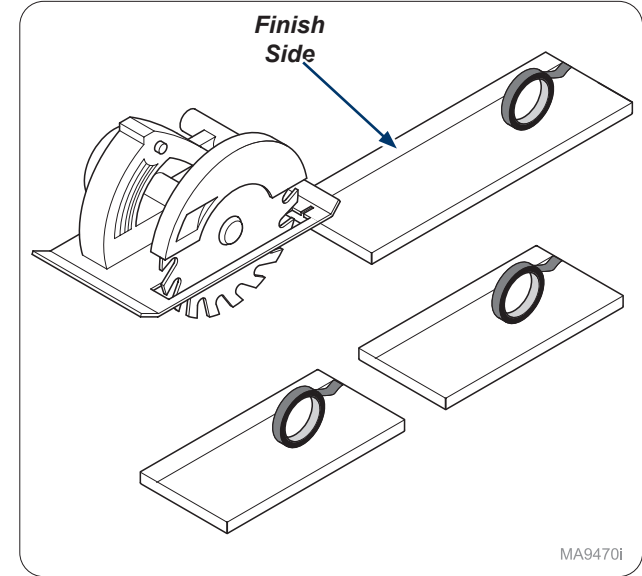
Overhead Filler Panel Installation



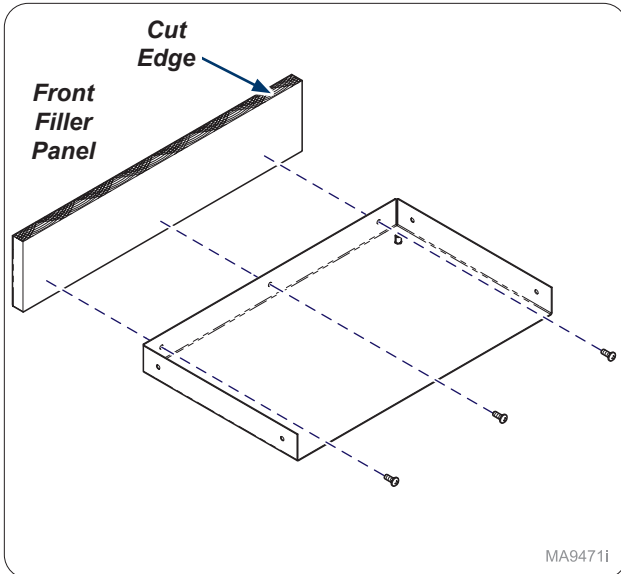
Step 1:
Measure space from wall to cabinet.



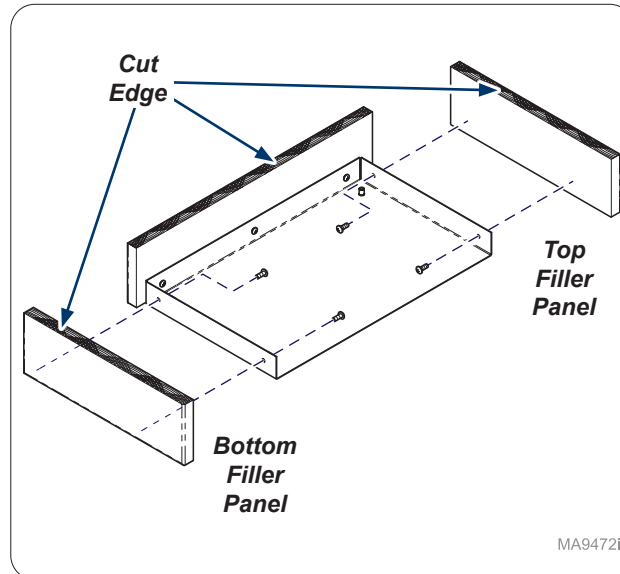
Step 2:
Measure and mark filler panel using measurements from the previous step.



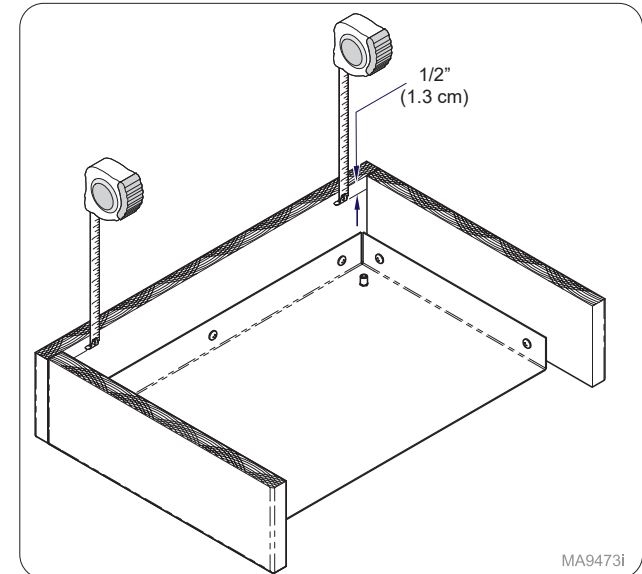
Step 3:
Cut filler panels to size. **Note:** Tape along cut line to prevent cracking.



Step 4:
Place filler bracket on a flat surface and secure front filler panel with cut side up as shown using wood screws provided.



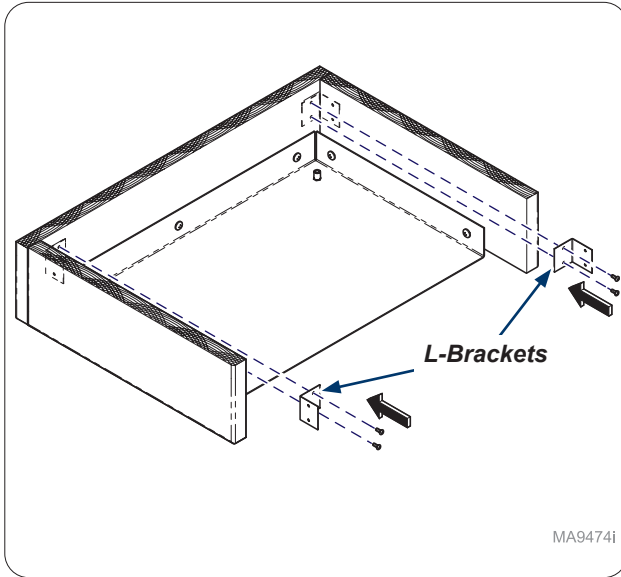
Step 5:
Attach top and bottom filler panels using wood screws provided.



Step 6:
Measure 1/2" (1.3 cm) away from cut edge to add L-Bracket.

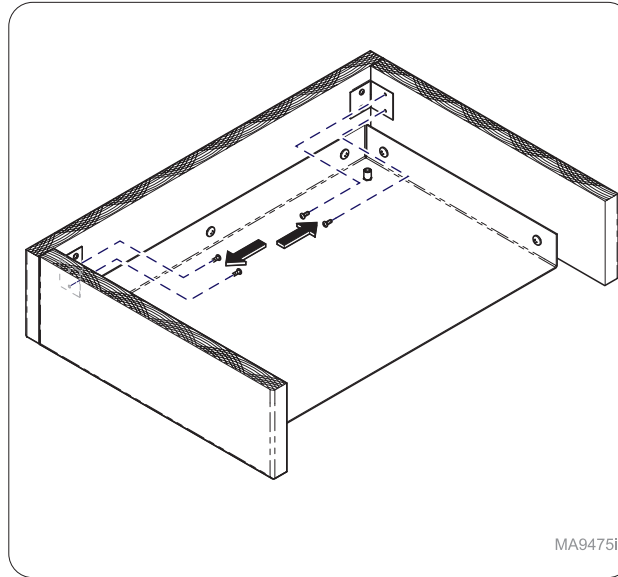
TP200 Rev. A

Overhead Filler Panel Installation



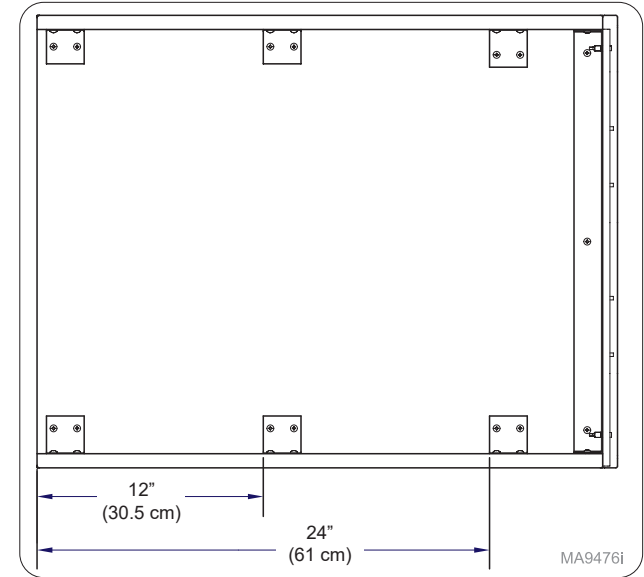
MA9474i

Step 7:
Mount L-Bracket to inside front filler panel with wood screws provided.



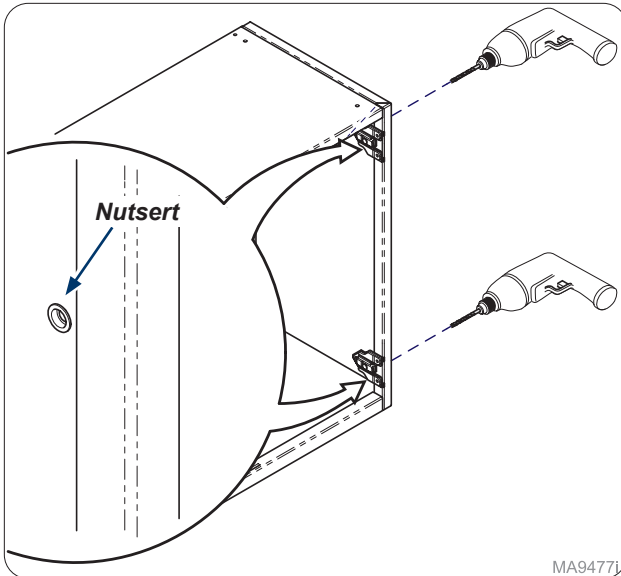
MA9475i

Step 8:
Secure L-Bracket to top and bottom filler panels with wood screws provided.



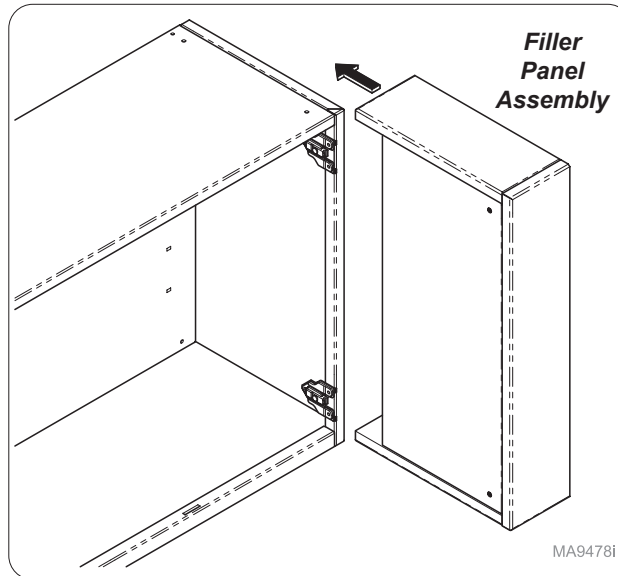
MA9476i

Step 9: On long filler panels ONLY
Space out L-Brackets as needed.



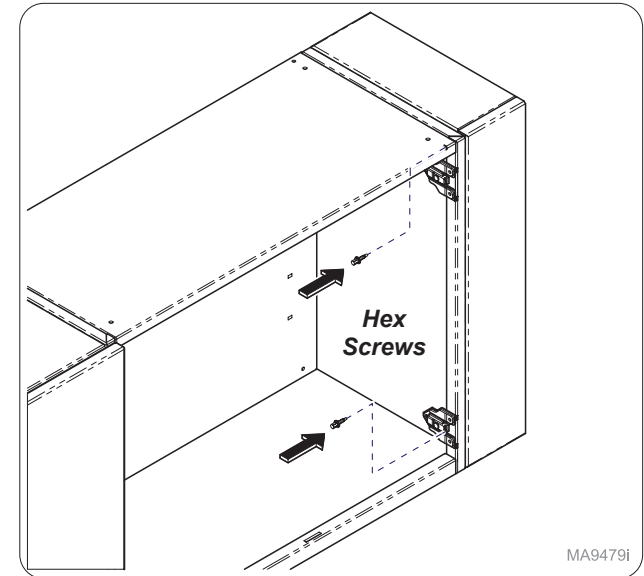
MA9477i

Step 10: Right side ONLY.
Drill out nutserts. Note: use 9/32" drill bit to drill out nutserts.



MA9478i

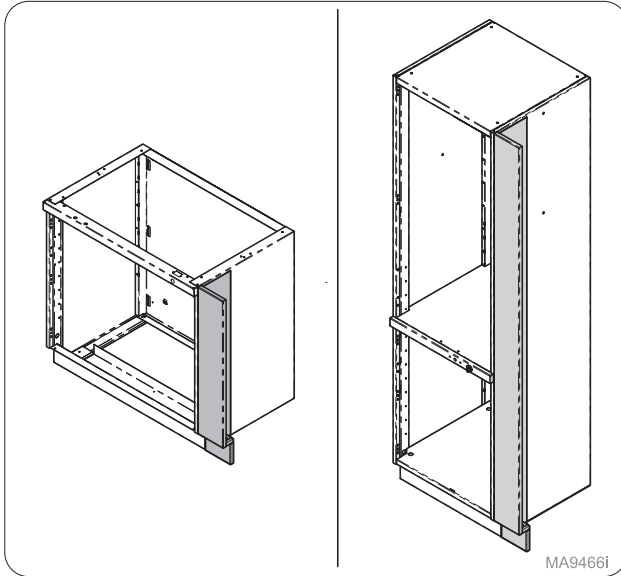
Step 11:
Move filler panel assembly into position.



MA9479i

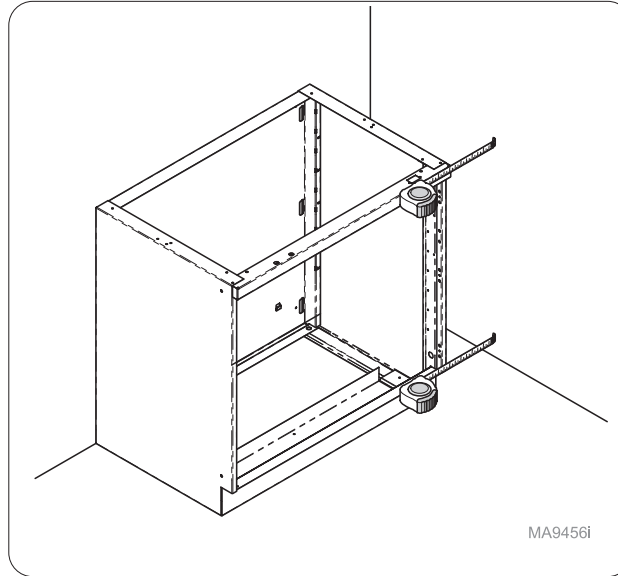
Step 12:
Secure to cabinet with hex screws.

Base & Tall Unit Filler Panel Installation



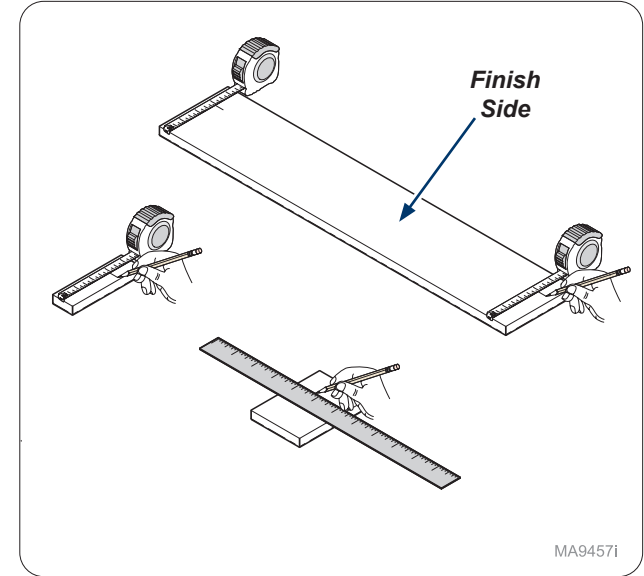
MA9466i

Step 1:
Base and tall unit filler panel assembly steps are identical. **Note: Base unit filler panel assembly will be shown.**



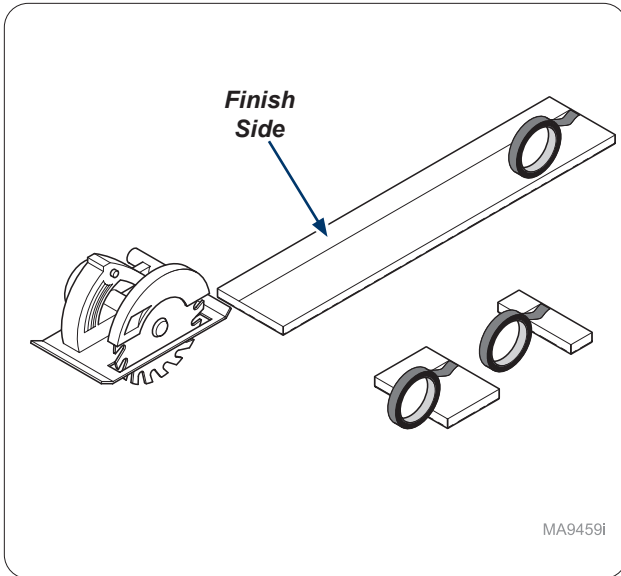
MA9456i

Step 2:
Measure gap from wall to cabinet.



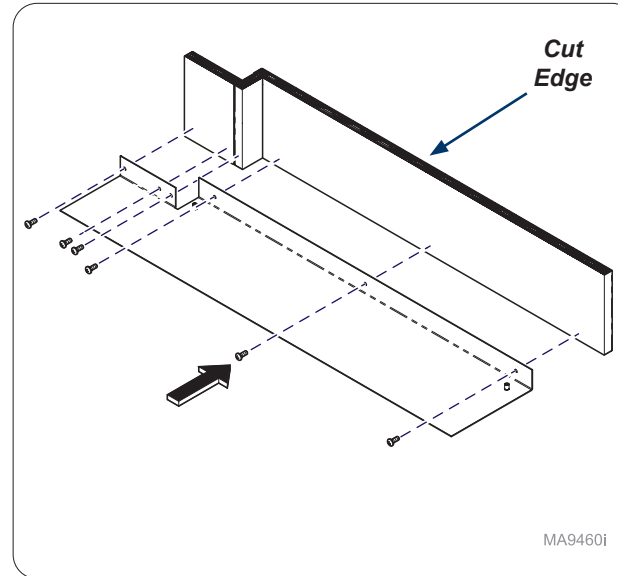
MA9457i

Step 3:
Measure and mark filler panel using measurements from previous step.



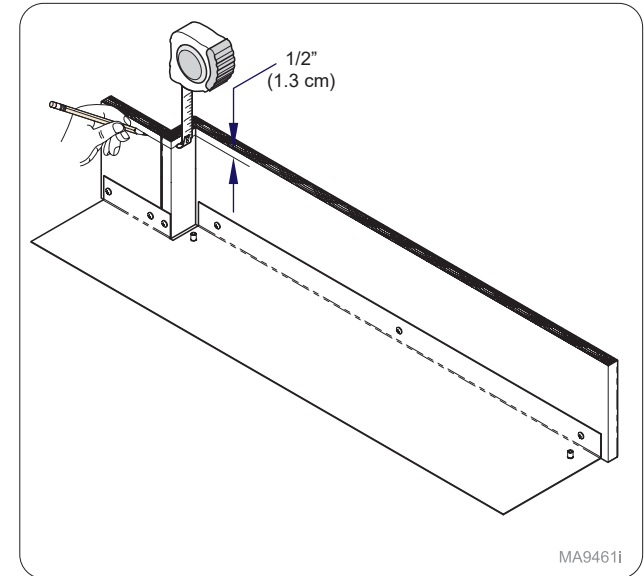
MA9459i

Step 4:
Cut filler panels to size. **Note: Tape along cut line before cutting to prevent cracking.**



MA9460i

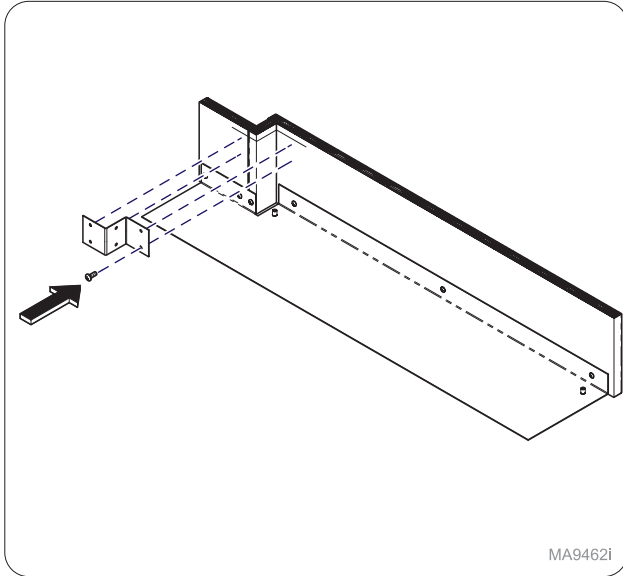
Step 5:
Place filler bracket on a flat surface and secure filler panels using wood screws provided. **Note: Make sure cut edge will face the wall.**



MA9461i

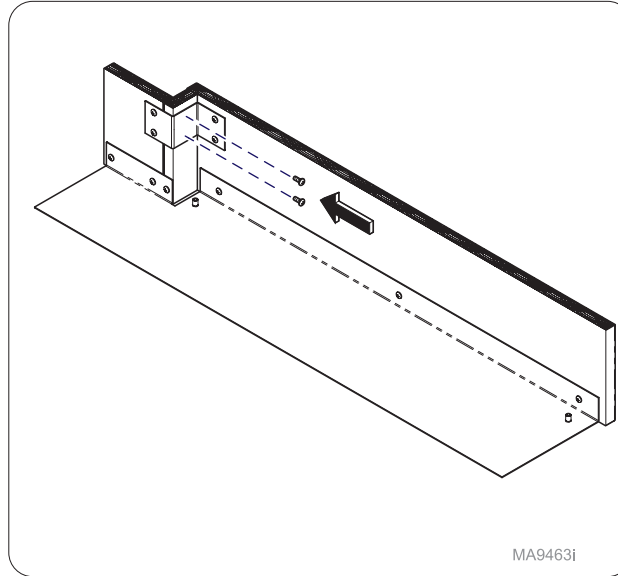
Step 6:
Measure 1/2" (1.3 cm) away from cut edge to add Z-bracket.

Base & Tall Unit Filler Panel Installation



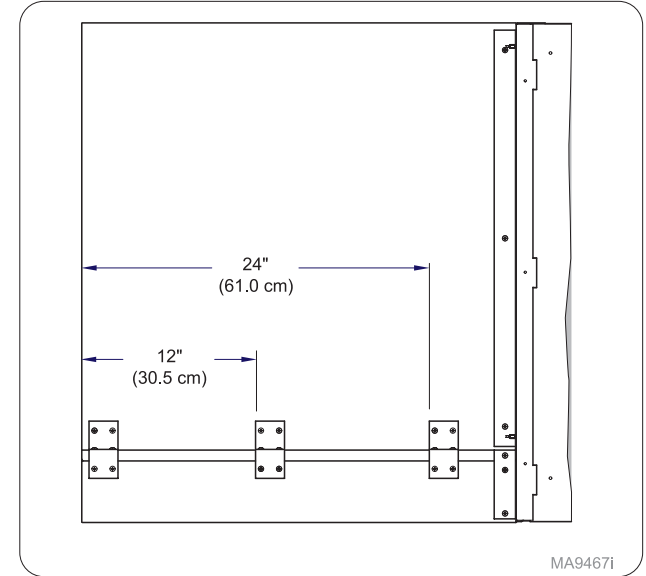
MA9462i

Step 7:
Secure Z-bracket(s) to the front facing filler panels using wood screws provided.



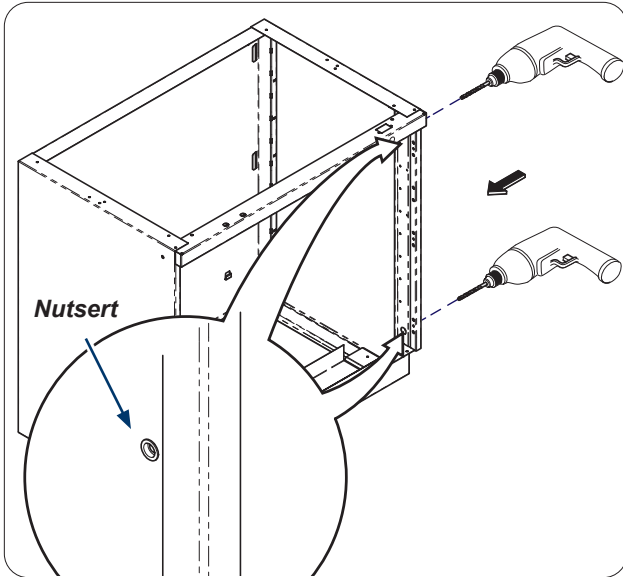
MA9463j

Step 8:
Secure Z-bracket(s) to the downward facing filler panel using wood screws provided.



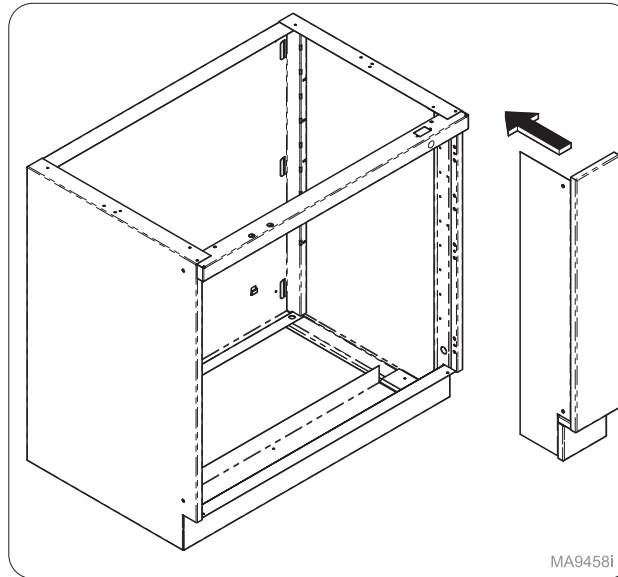
MA9467i

Step 9: On Long Filler Panel Only
Space out L-brackets as needed.



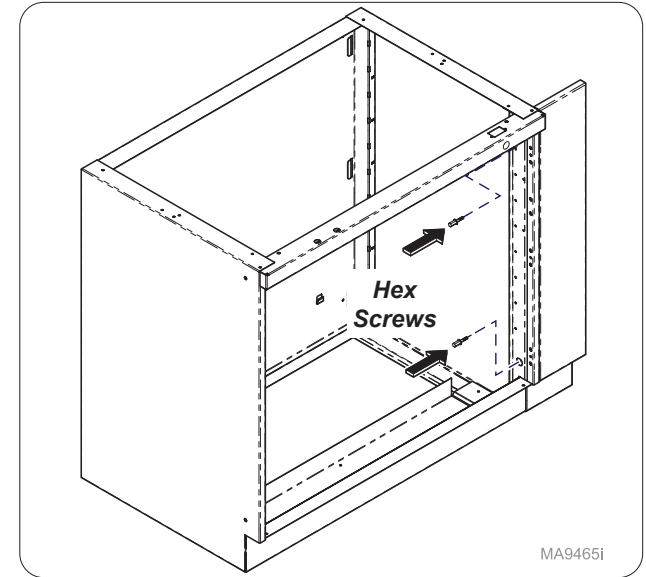
Nutsert

Step 10: Right-hand Side Only
Drill out nutserts in cabinet if filler is going on right hand side of cabinet. **Note: Use 9/32" drill bit to drill out nutserts.**



MA9458i

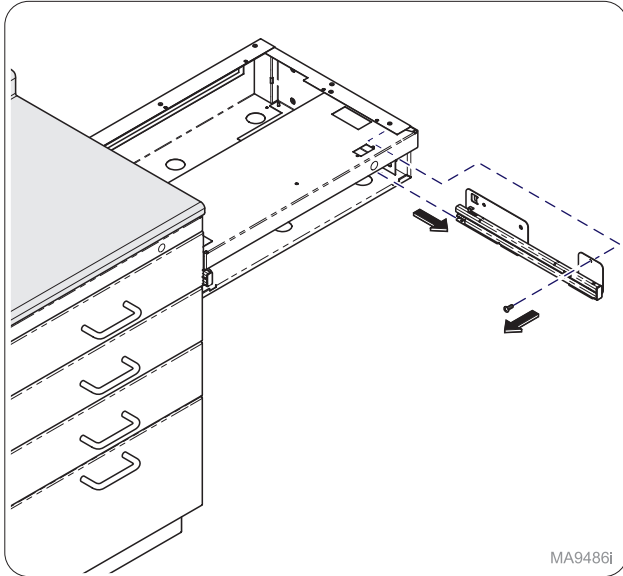
Step 11:
Move filler panel assembly into position.



MA9465i

Step 12:
Secure to cabinet using hex screws provided.

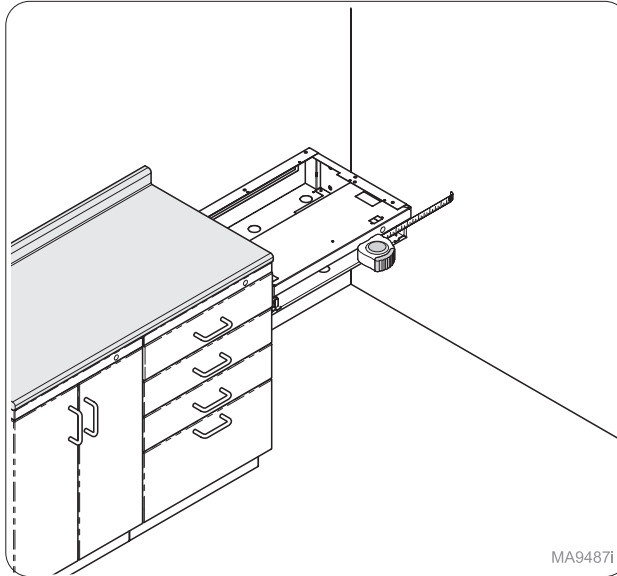
Desk Filler Panel Installation



MA9486i

Step 1: Remove Slide

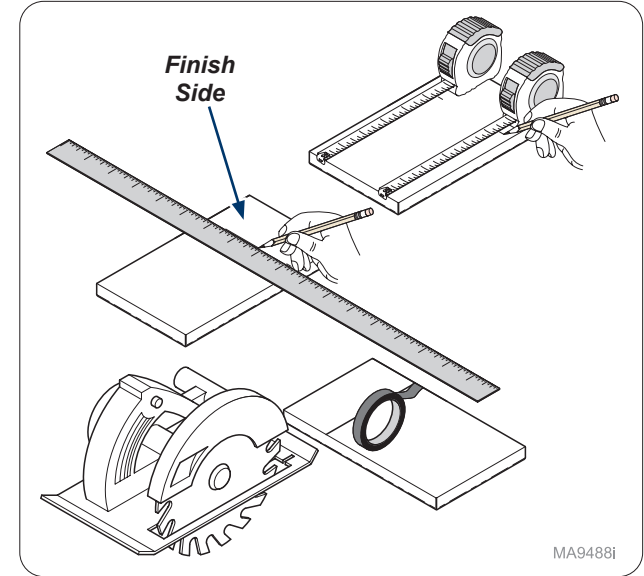
Remove screw from front of slide and remove slide from desk.



MA9487i

Step 2:

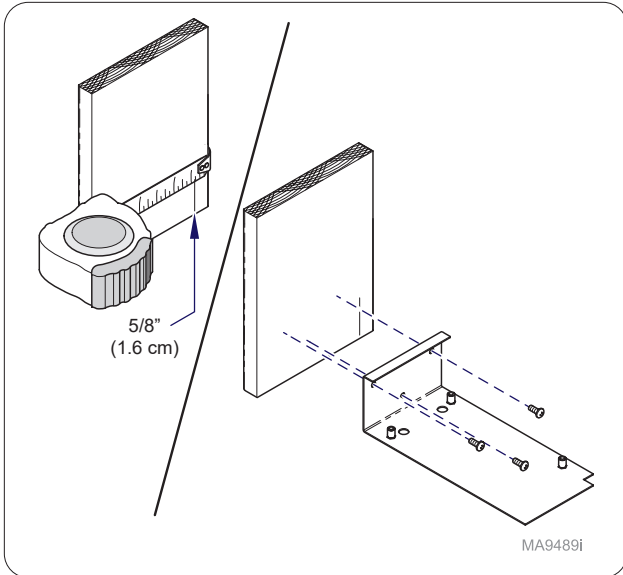
Measure gap from wall to desk.



MA9488i

Step 3:

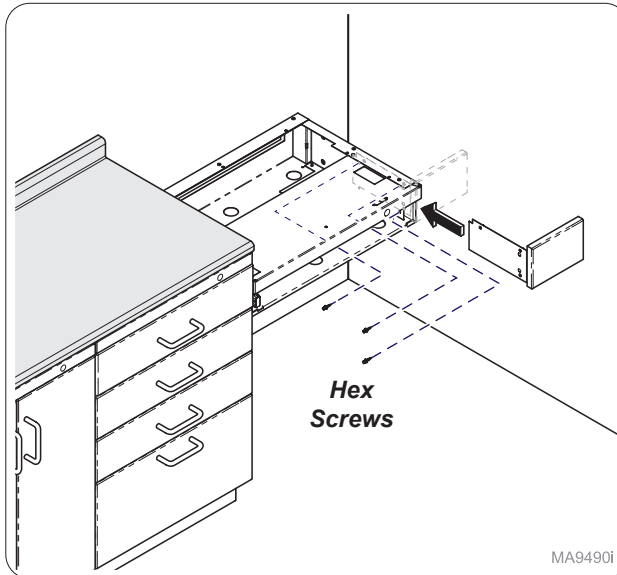
Measure, mark, and cut filler panel as needed. **Note: Tape along cut line before cutting to prevent cracking.**



MA9489i

Step 4:

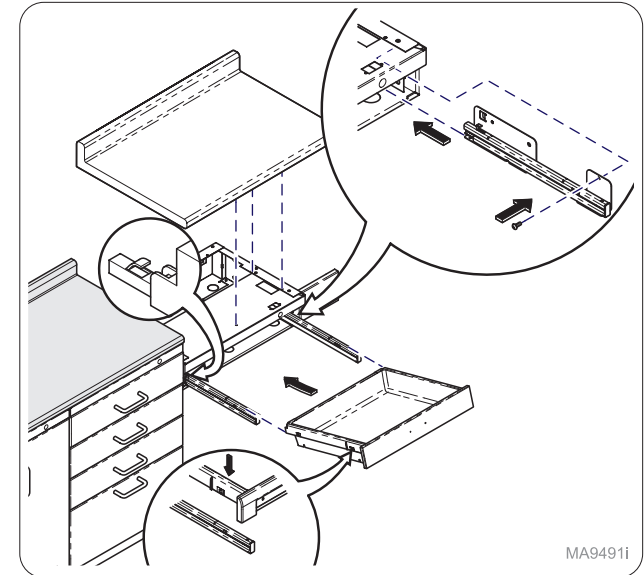
Measure 5/8" (1.6 cm) from edge of filler to mount bracket. Mount filler to bracket with screws provided.



MA9490i

Step 5:

Secure bracket and filler panel to desk with hex screws as shown.

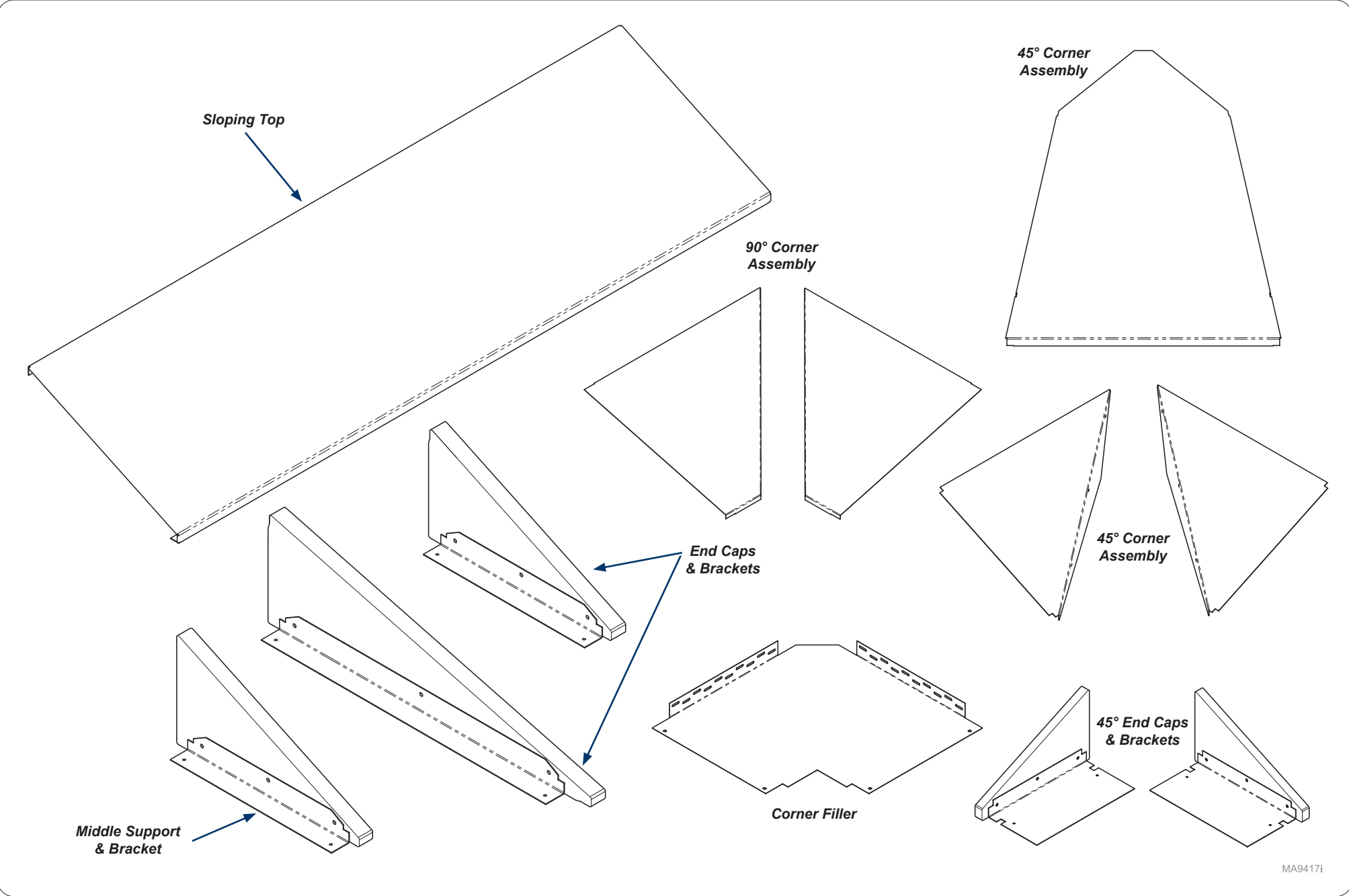


MA9491i

Step 6:

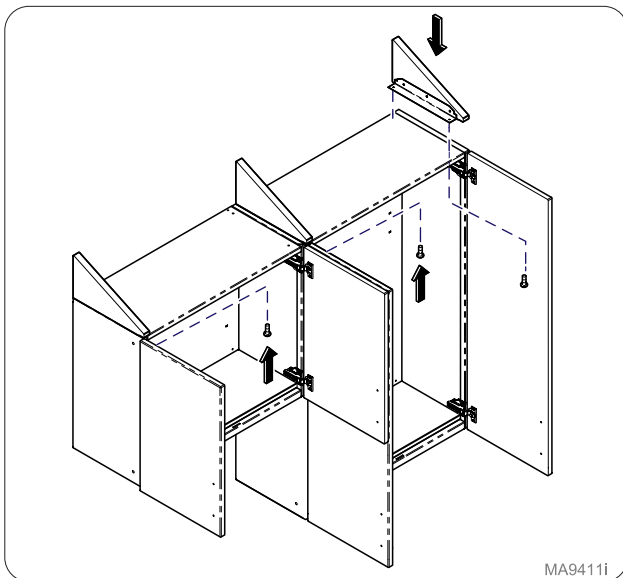
Reinstall slide and secure counter top to desk. Reinstall drawer.

Sloping Top Installation



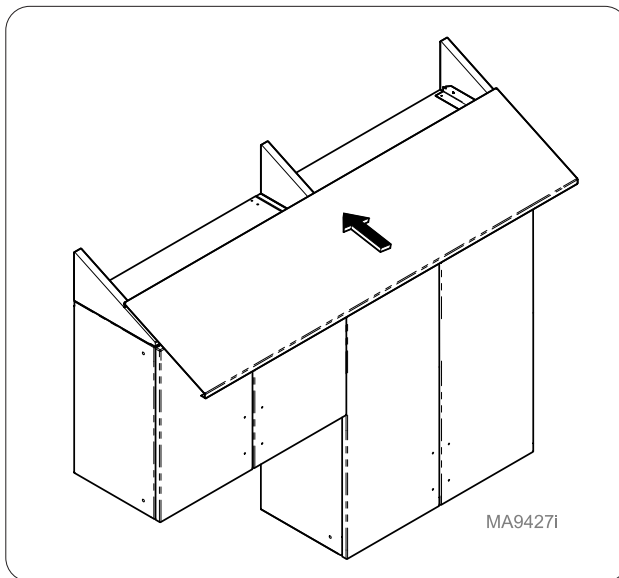
Step 1:
Identify components for sloping top.

Sloping Top Installation



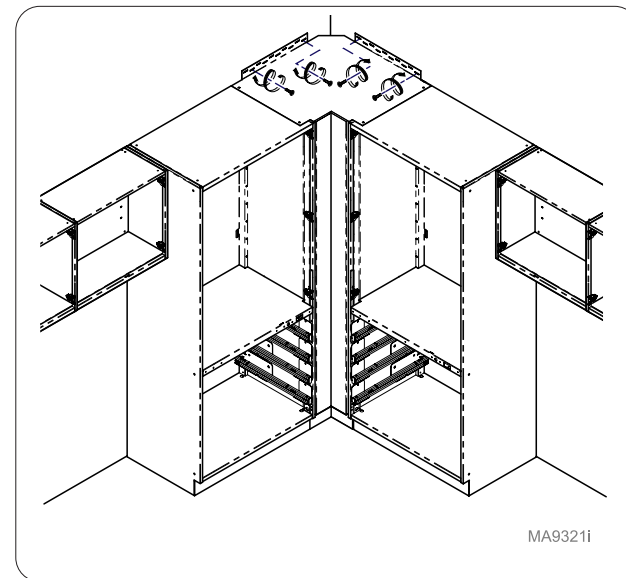
MA9411i

Step 2:
Install end caps. **Note: Middle supports are needed if gap between endcaps exceeds 48" (121.9cm).**



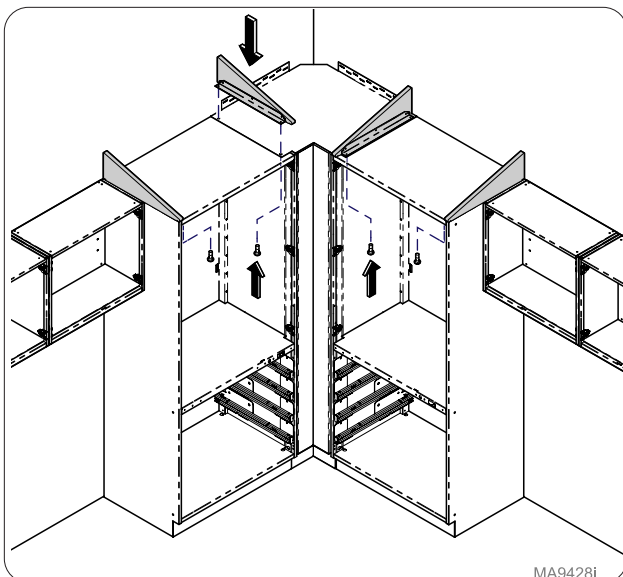
MA9427i

Step 3:
Install sloping tops.



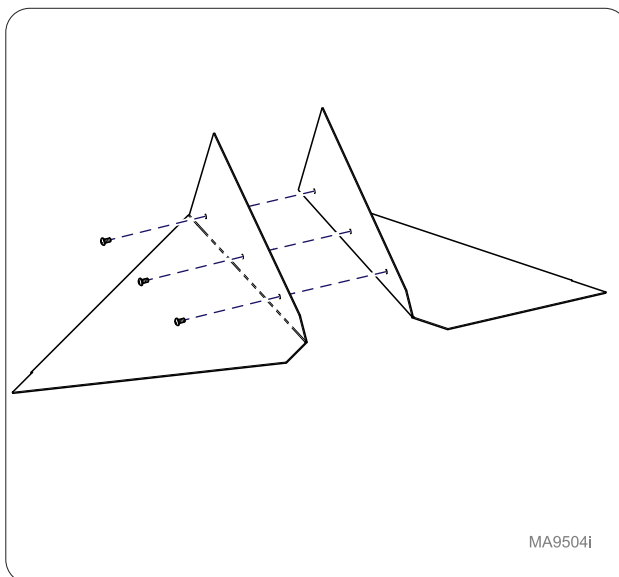
MA9321i

Step 1: w/ Tall Units in 90° Corner
Install corner filler.



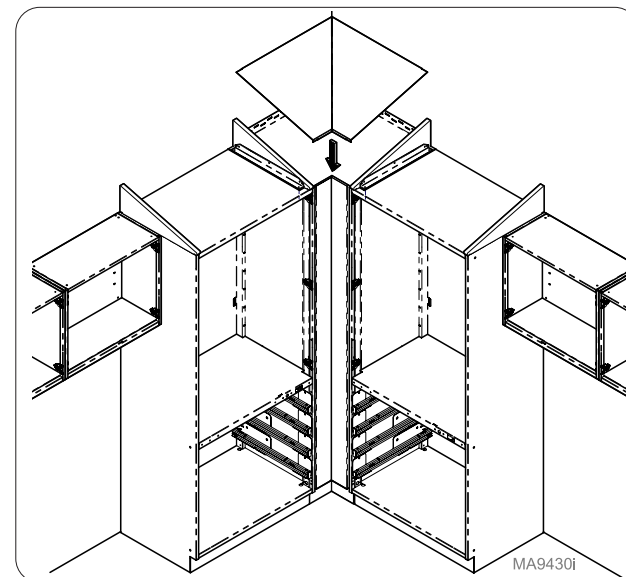
MA9428i

Step 2: 90° Corner
Install end caps using hardware supplied.



MA9504i

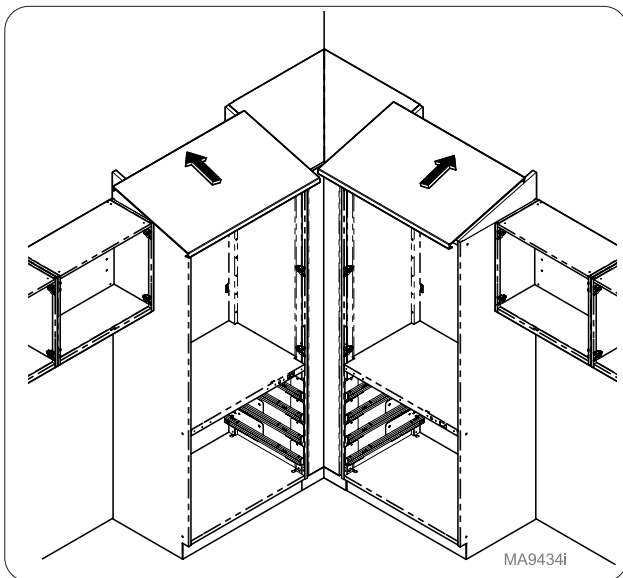
Step 3: 90° Corner
Attach left and right corner covers using hardware supplied.



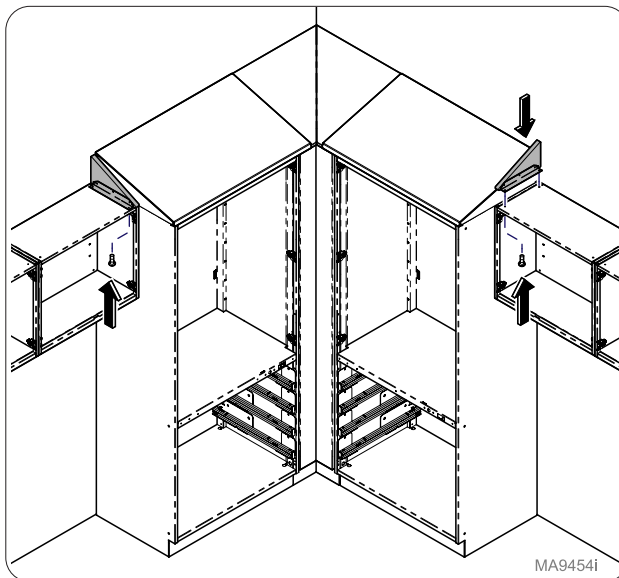
MA9430i

Step 4: 90° Corner
Install corner cover assembly.

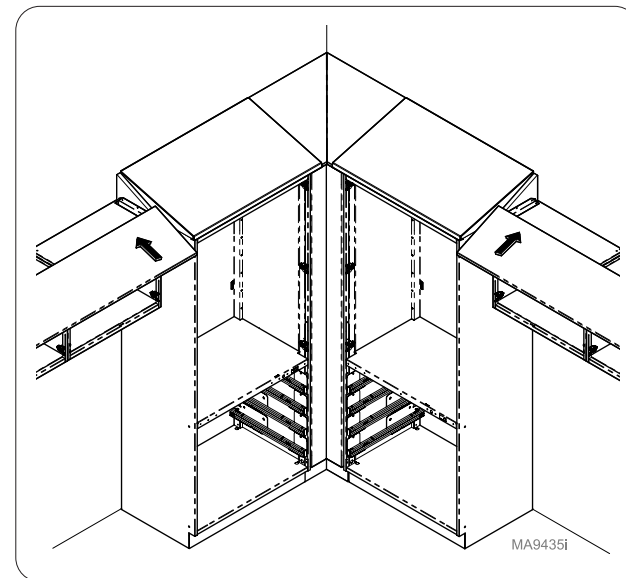
Sloping Top Installation



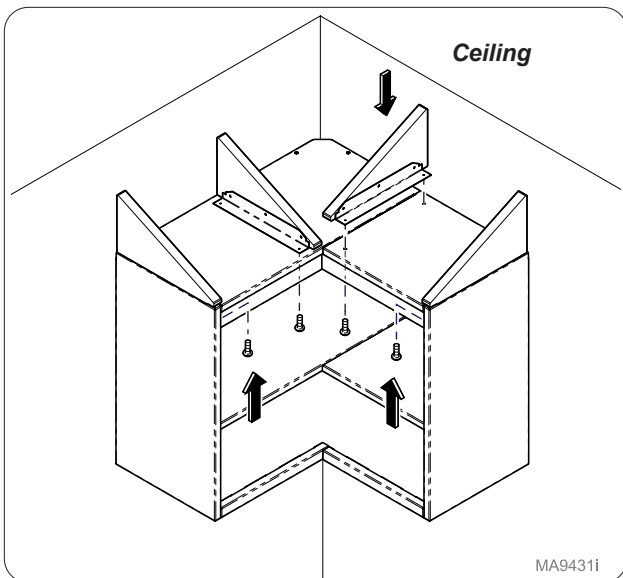
Step 5:
Install sloping tops onto tall units.



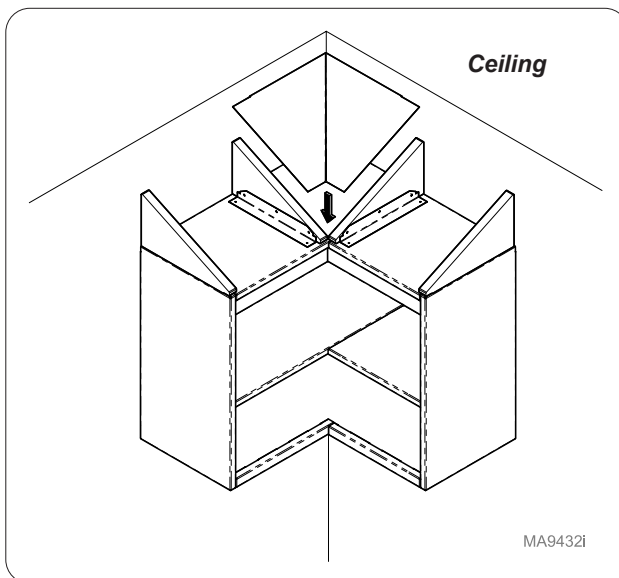
Step 6:
Install end caps onto connected cabinets using hardware supplied.



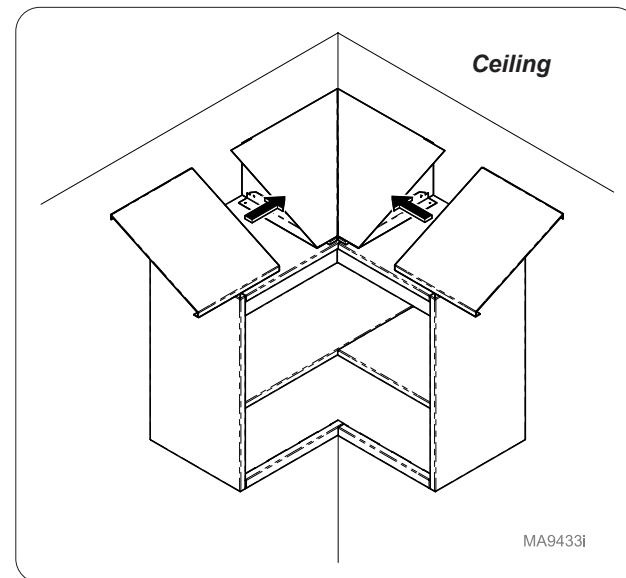
Step 7:
Install sloping tops onto connected cabinets.



Step 1: w/ 90° Corner Overhead
Install end caps onto corner unit using hardware supplied.

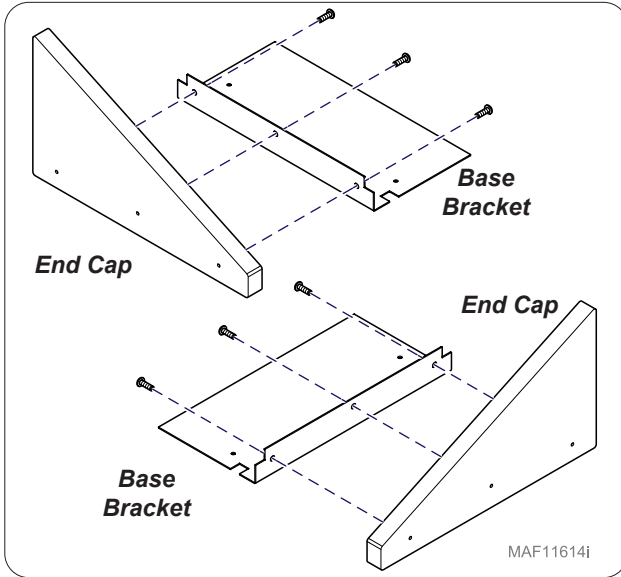


Step 2: w/ 90° Corner Overhead
Install corner cover assembly.

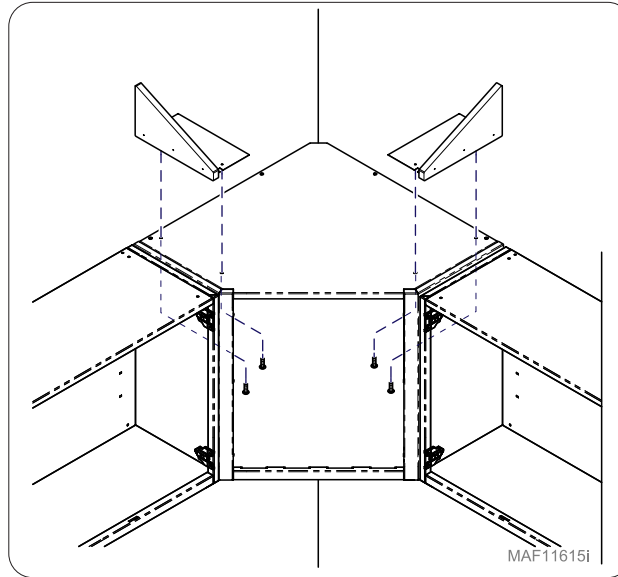


Step 3: w/ 90° Corner Overhead
Install sloping tops.

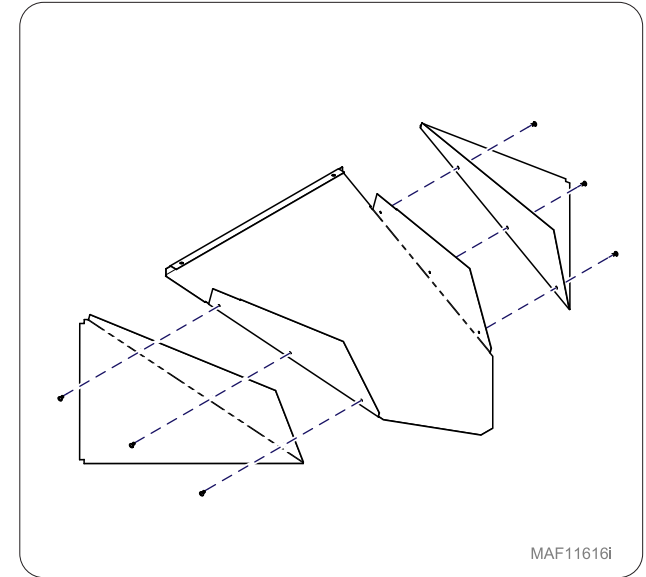
45° Corner Sloping Top Installation



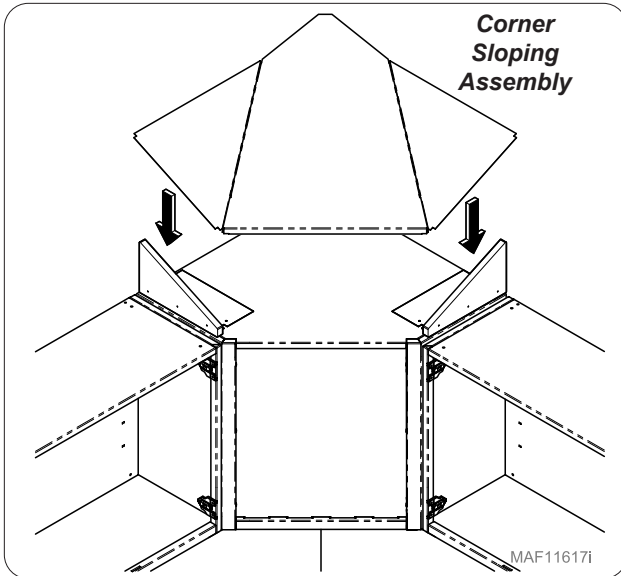
Step 1:
Assemble end caps to base brackets with screws(3) per end cap.



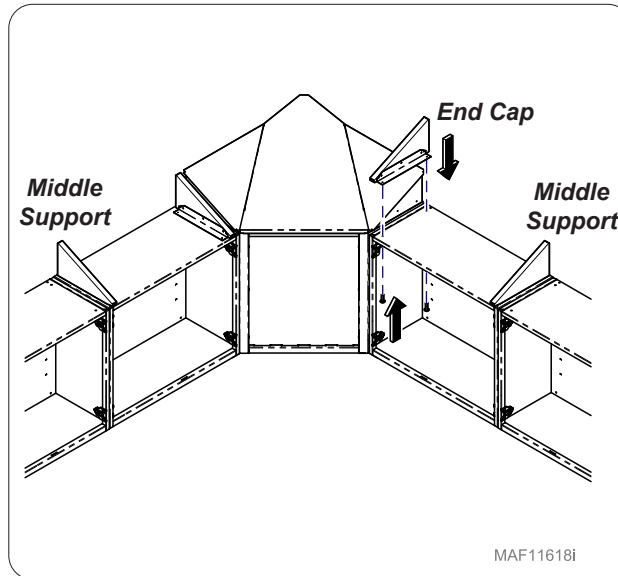
Step 2:
Install end caps onto overhead cabinets using hardware supplied.



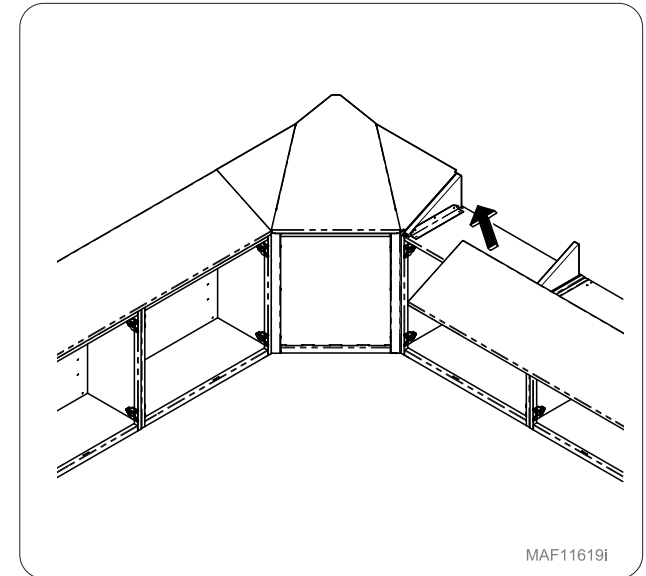
Step 3:
Assemble corner sloping assembly with screws(6).



Step 4:
Install corner sloping assembly onto corner overhead cabinet.

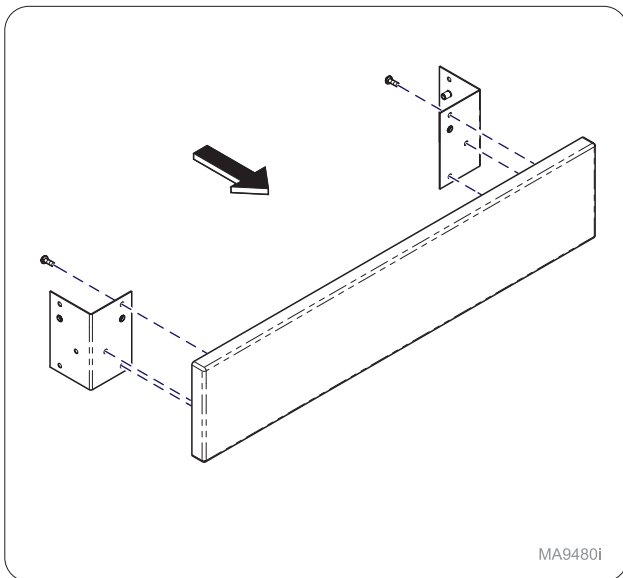


Step 5:
Install end caps and middle supports to connected overhead cabinets.



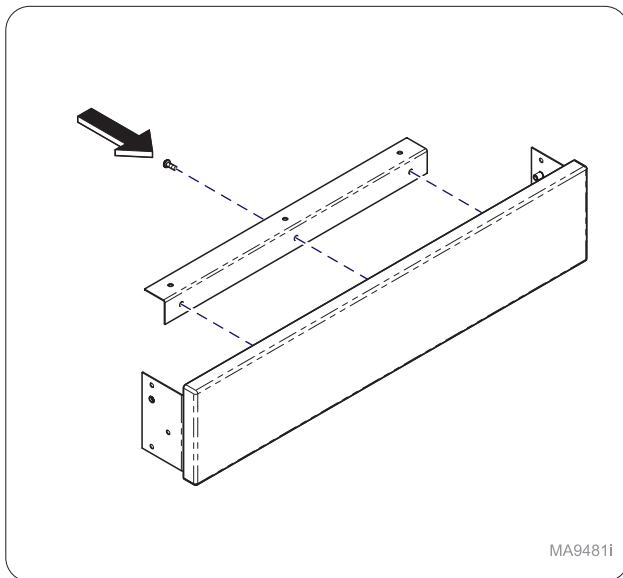
Step 6:
Install sloping tops onto connected cabinets as shown.

Sink Apron Panel Installation



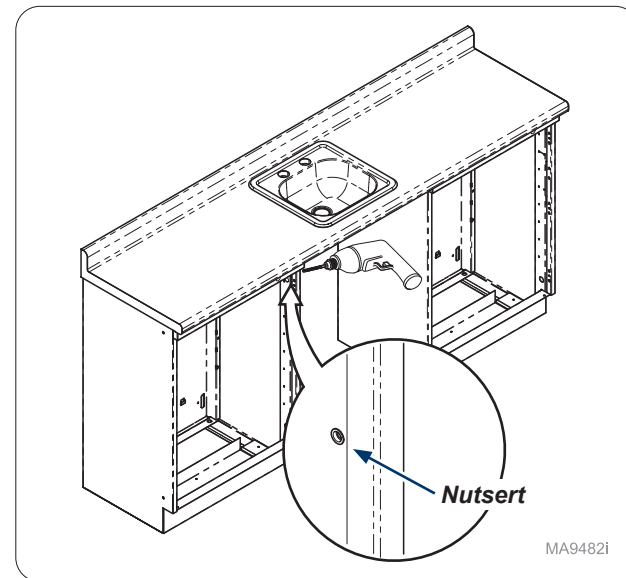
MA9480i

Step 1:
Attach L-bracket to sink apron panel using hardware supplied.



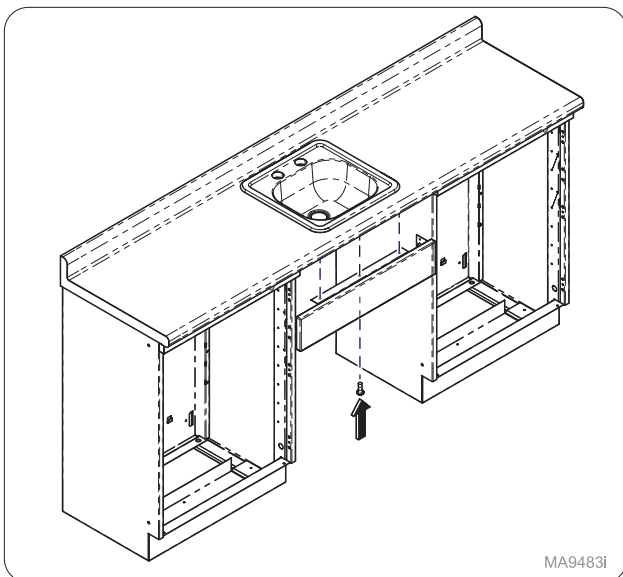
MA9481i

Step 2:
Attach support bracket to sink apron panel using hardware supplied.



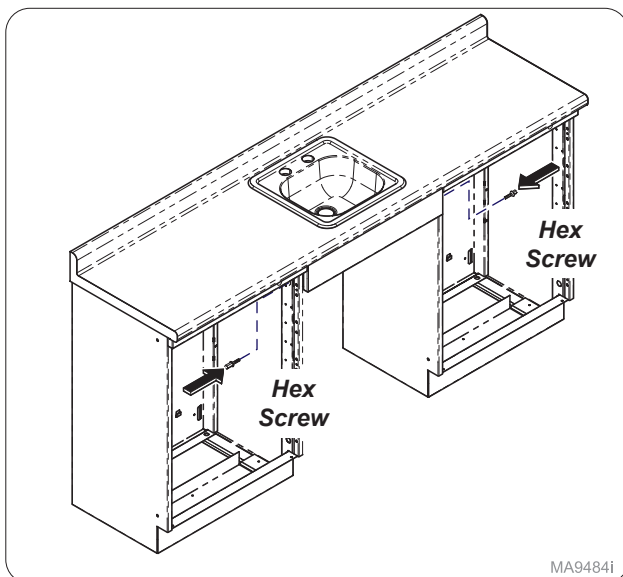
MA9482i

Step 3:
Drill out top nutsert on right-hand side of left cabinet.
Note: Use 9/32" drill bit to drill out nutserts.



MA9483i

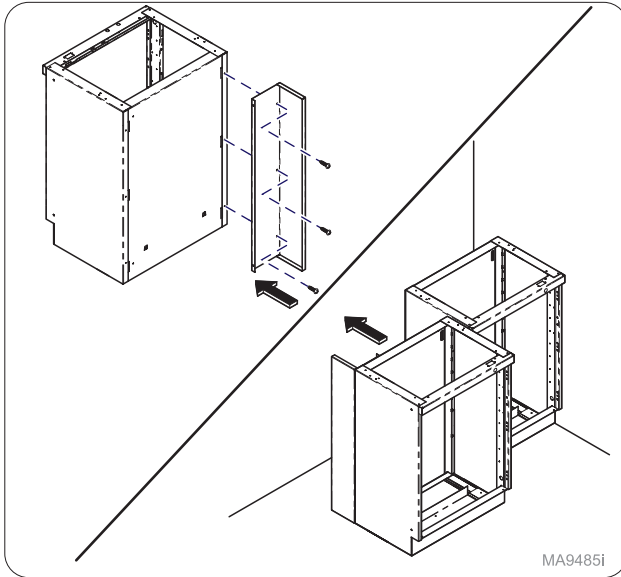
Step 4:
Attach apron panel assembly to bottom of counter using hardware supplied.



MA9484i

Step 5:
Secure apron panel assembly to cabinets using hex screws provided.

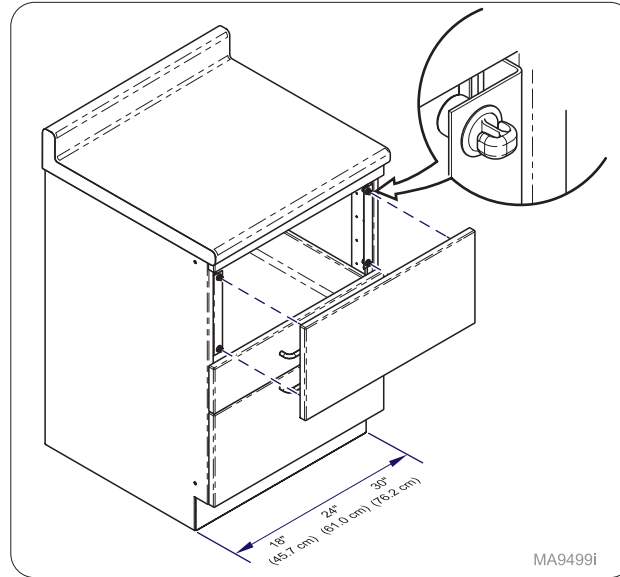
Miscellaneous Install Information



MA9485i

Metal End Cap:

Attach end cap to back of unit using hardware supplied and move into place. Attach to connected units (if applicable).



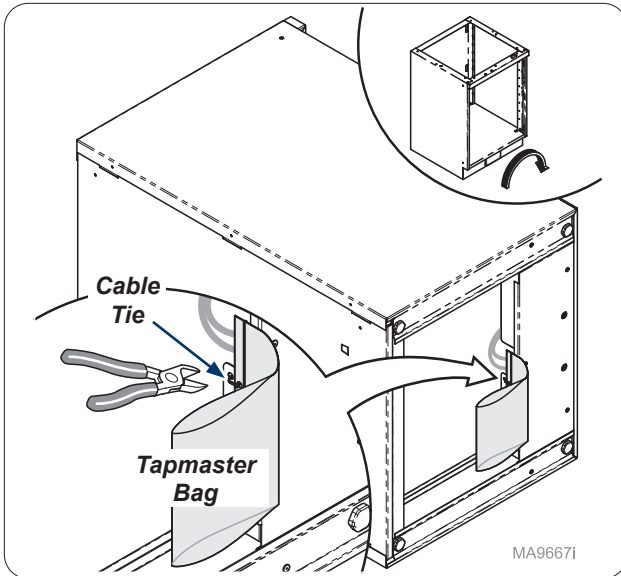
MA9499i

Ultrasonic Cleaner:

Remove front panel if a cutout is required to mount ultrasonic control panel.

Note:

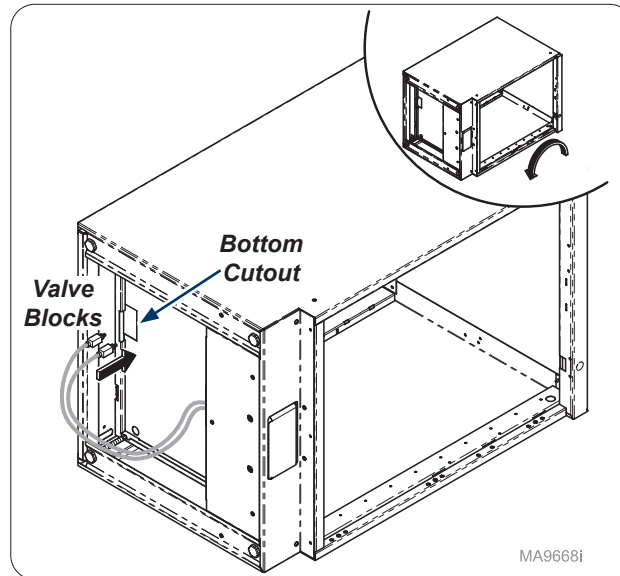
Controls must be cut into panel in the field. Ultrasonic cleaner Cabinetry is only available in 18", 24" & 30" widths. The access dimensions are the same as the sink Cabinetry in comparable sizes.



MA9667i

Step 1: Faucet Control:

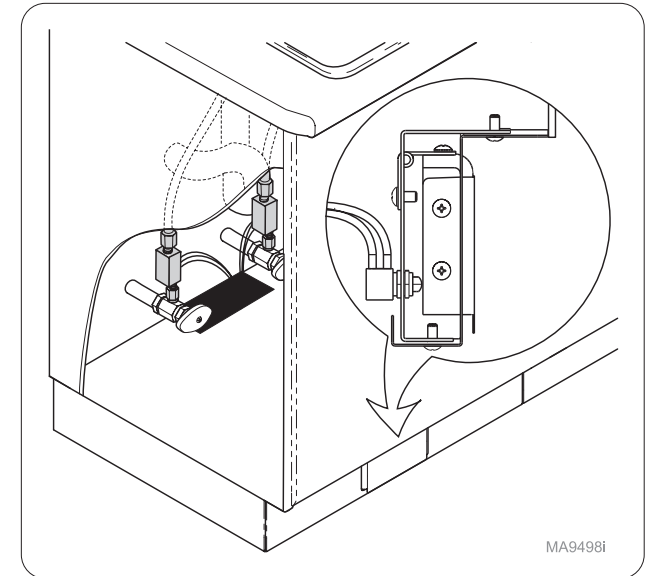
Turn cabinet on side. Remove cable tie and tapmaster bag from cabinet.



MA9668i

Step 2: Faucet Control:

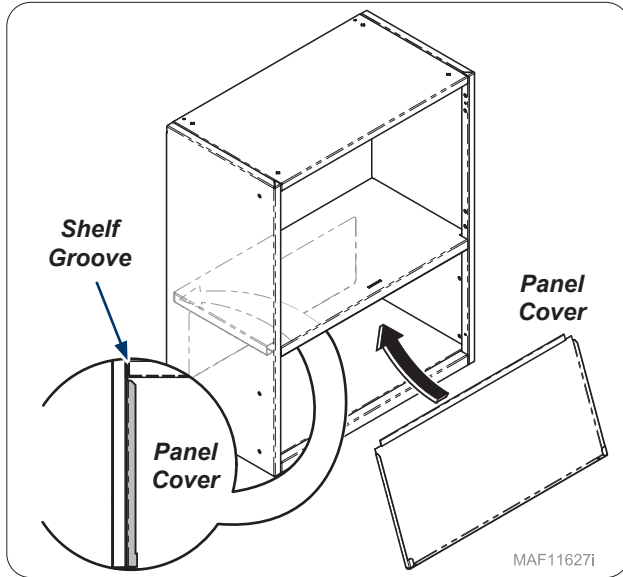
Route valve blocks with tubes through cutout in base bottom. Turn cabinet onto base and install cabinet into place.



MA9498i

Faucet Control:

For faucet controller installation, refer to the install instructions included with kit.



Split Overhead Panel Cover:

Tilt panel cover and install into back groove of shelf and push bottom into back of split overhead.