

# Midmark Power Supply Setup (029-11724-00)

**Applies to Models:**  
CH-1000 with CH-MOUNT  
DS-1200

**Special Tools:**  
none

**Note**

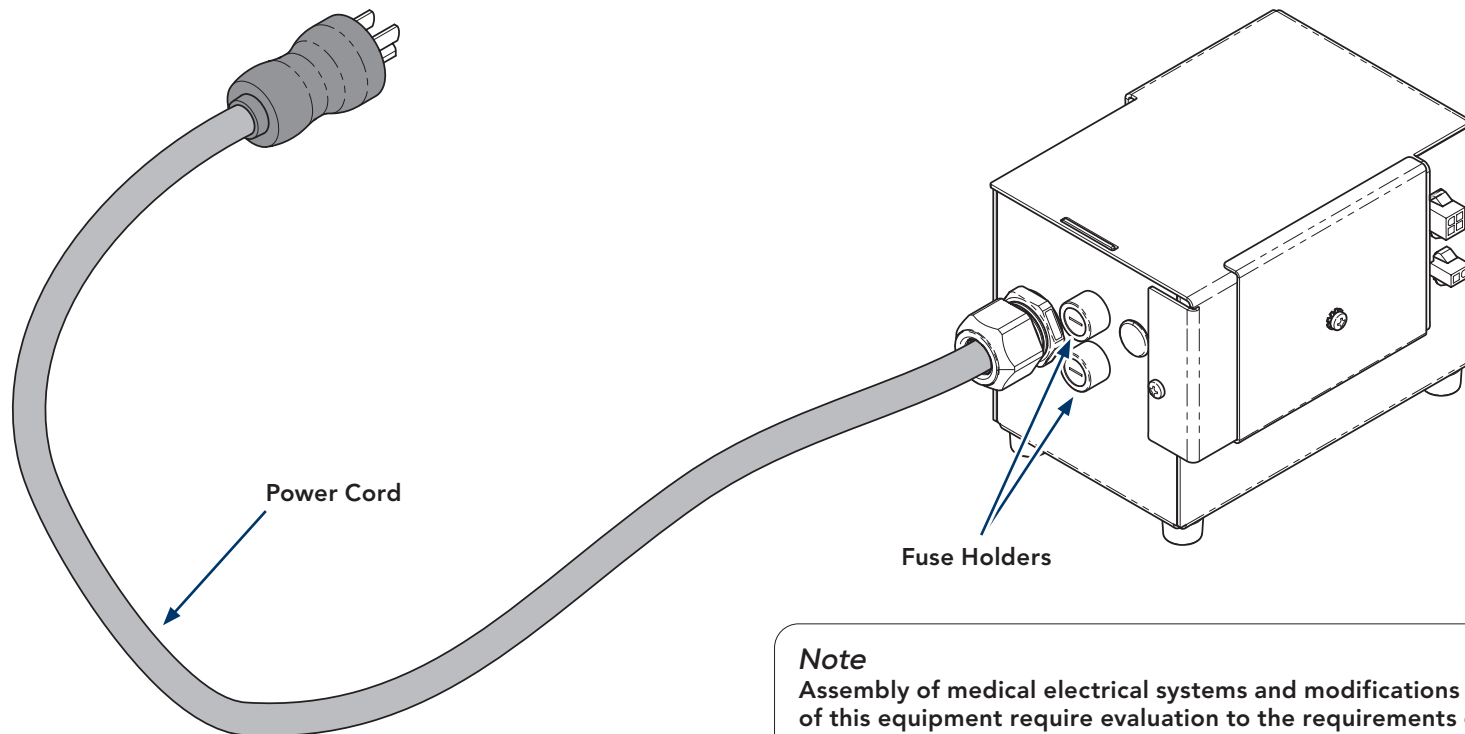
Power Supply units are available in 120V~ models. Make certain you are installing the correct one for the electrical mains supply power.

**Power Supply**

The Power Supply centralizes electrical supply power inputs and distributes that power as needed to existing operatory components.

**Note**

Service performed on fuses and / or power cords shall be performed by a Midmark recommended Service Technician.



**Note**

Assembly of medical electrical systems and modifications during the service life of this equipment require evaluation to the requirements of the 60601 series of medical electrical equipment safety standards.

ArtFull

## Symbols Glossary



### **WARNING**

Indicates a potentially hazardous situation which could result in serious injury.



### **Caution**

Indicates a potentially hazardous situation which may result in minor or moderate injury. It may also be used to alert against unsafe practices.



### **Equipment Alert**

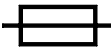
Indicates a potentially hazardous situation which could result in equipment damage.

### **Note**

Amplifies a procedure, practice, or condition.



Follow instructions for use



Type T Fuse



Protective Earth Ground



TUV

## Intended Use

The Power Supply is intended to be a non-user-accessible part. It is designed to deliver electricity at predetermined voltage levels (DC) to a Midmark Dental Light.

## Electromagnetic Interference

Midmark dental operatory components are designed and built to minimize electromagnetic interference with other devices. However, if interference is noticed between another device and this operatory, remove the interfering device from room and / or plug product into an isolated circuit.

## Transportation and Storage Conditions

Transportation and Storage Temperature ..... -30°C to 60°C (-22°F to 140°F)  
Relative Humidity ..... 10% to 90% (non-condensing)  
Atmospheric Pressure ..... 50 kPa to 106 kPa (7.3 psig to 15.3 psig)

## Operating Conditions

Ambient Operating Temperature Range ..... 15°C to 35°C (59°F to 95°F)  
Relative Humidity ..... 10% to 90% (non-condensing)  
Atmospheric Pressure ..... 69 kPa to 106 kPa (10 psig to 15.3 psig)

## Disposal of Equipment

At the end of this product's life, the unit, accessories and other consumable goods may be contaminated from normal use. Consult local codes and ordinances for proper disposal of this equipment and other consumable goods.

## Call for Service

Direct all service inquiries to your authorized Midmark dealer. When calling for service, you must provide the following information:

Model / serial number  
Date of purchase  
Symptom(s) of malfunction



### WARNING

Do not modify this equipment without authorization of the manufacturer.



### WARNING

Equipment is not suitable for use in the presence of a flammable anesthetic mixture with oxygen, air, or nitrous oxide.

Clarification: Equipment is suitable for use in the presence of oxygen, air, or nitrous oxide.



### WARNING

Only use Midmark specified fuses, failure to do so could result in a fire or an electrical hazard.



### WARNING

Do not use multi-outlet adapters, outlet strips or extension cords with this power supply.



### WARNING

Only connect approved Midmark dental chair, delivery systems, lights, monitor and power supply when assembling the dental operatory (medical electrical system).  
Midmark approved products listed below:

CH-1000	Midmark Dental Chair
DS-1100-001	Midmark Left-Right Chair-Mounted Doctor's Dental Delivery System
DS-1200-001	Midmark 12 O'clock Column/Cabinet-Mounted Doctor's Dental Delivery System
ADS-1100-001	Midmark Chair Mounted Assistant's Dental Delivery System
ADS-1200-001	Midmark Cabinet Mounted Assistant's Dental Delivery System
LT-1100-001	Midmark Left-Right Chair-Mounted Dental LED Light
LT-1200-001	Midmark Cabinet-Mounted Dental LED Light
LT-1300-001	Midmark Wall-Mounted Dental LED Light
LT-1400-XXX	Midmark Ceiling-Mounted Dental LED Light
LT-1500-XXX	Midmark Track-Mounted Dental LED Light with Monitor
LT-1600-XXX	Midmark Track-Mounted Dental LED Light
9A738002	Midmark Left-Right Chair-Mounted Dental Monitor
029-11724-00	Midmark Dental Power Supply

Other combinations of equipment have not been evaluated for safety.

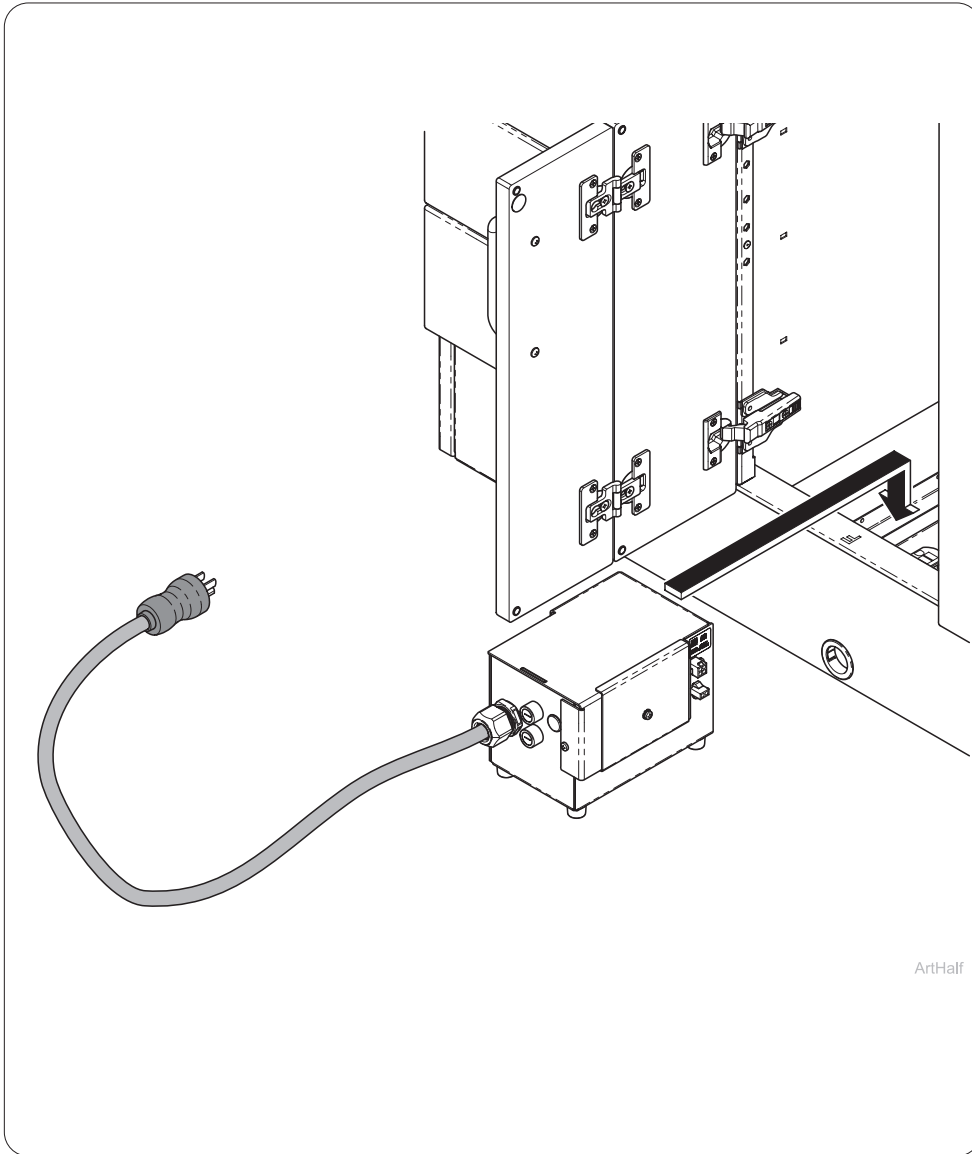
# Electrical Connections (for Cabinet)



## WARNING

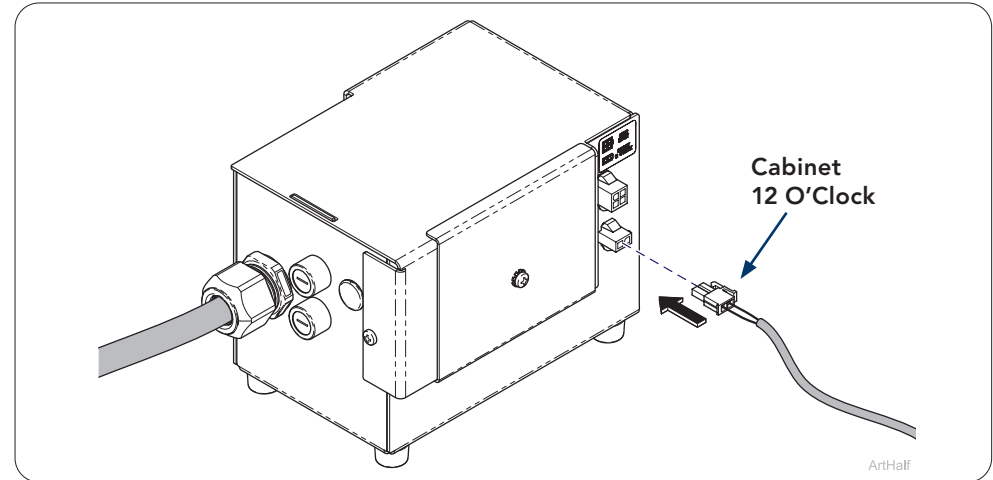
To avoid the risk of electrical shock this equipment must be connected to a power outlet with a protective earth and be compliant with local codes. Install one that meets these requirements if one does not exist:

120 VAC Model: 120V~, 60Hz, 12A



### Step 1:

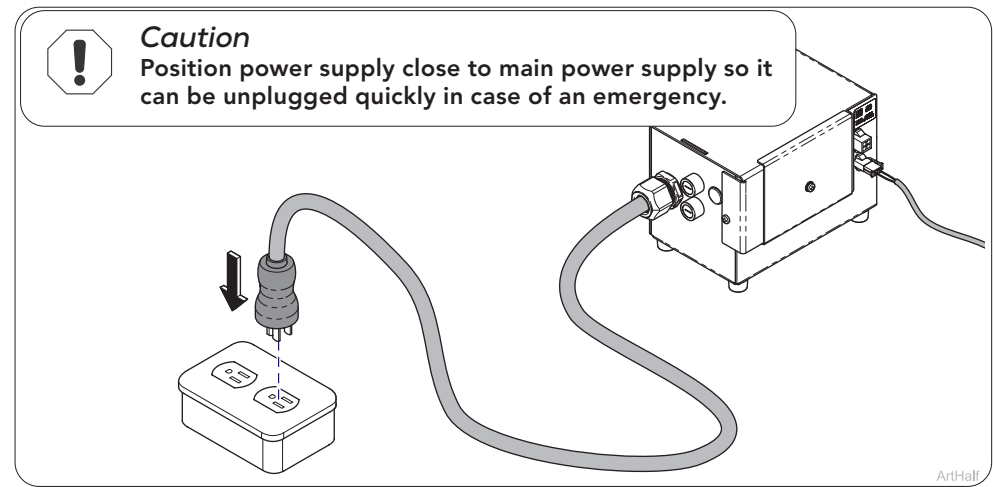
Open center door of 12:00 cabinet base. Install power supply into cabinet.



### Step 2:

Plug in 2 pin connector from unit into power supply.

**Note:** Refer to Midmark Unit setup manuals for installation on to wall for cabinet.

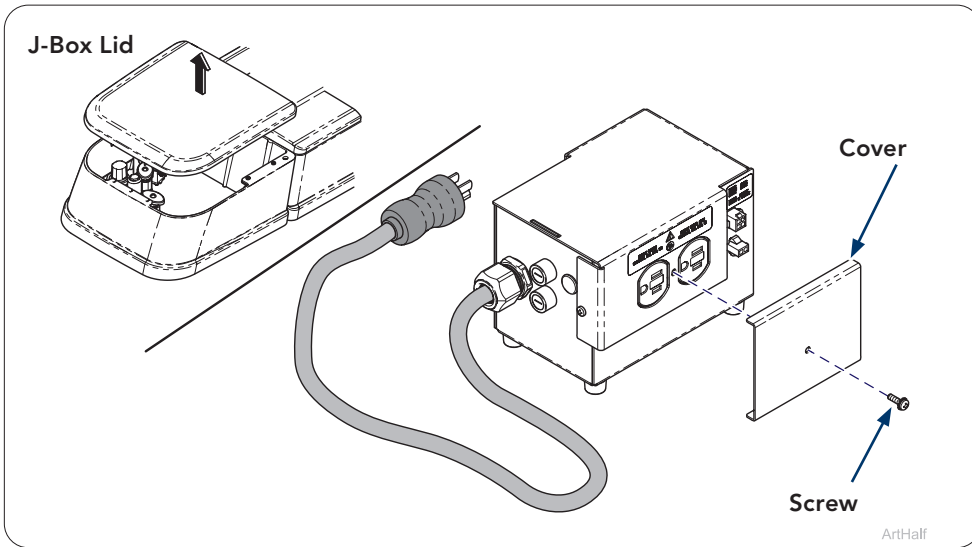


### Step 3:

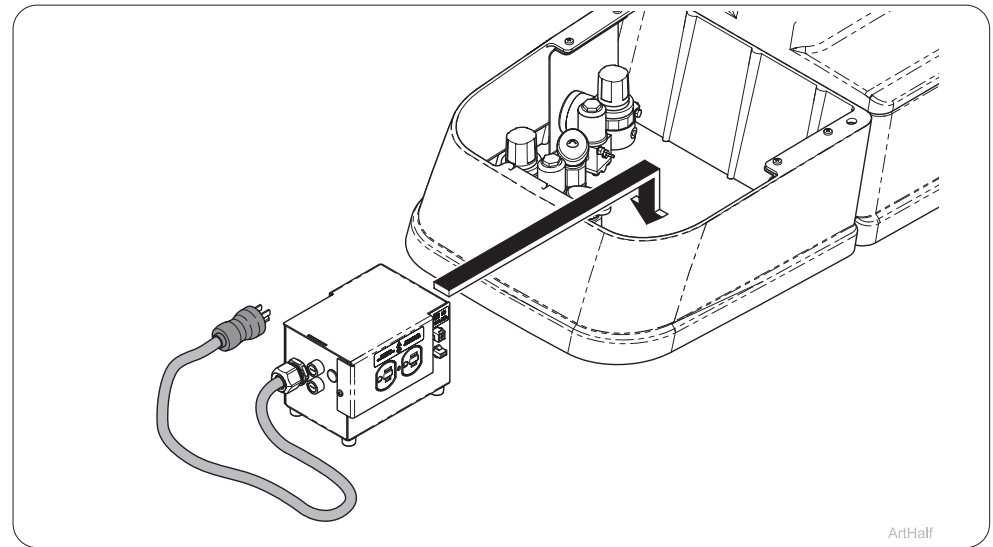
Plug in power supply into main power outlet.

# Electrical Connections

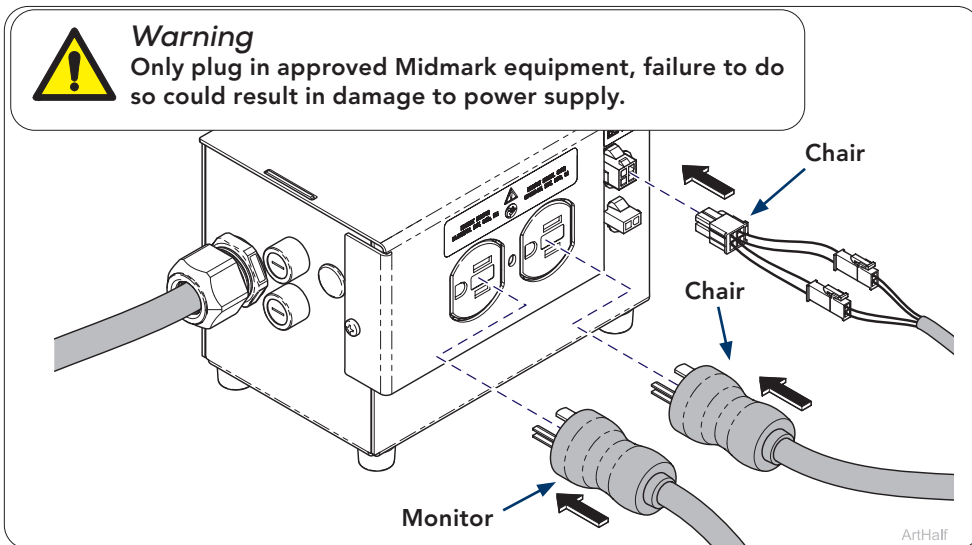
(for Chair J-Box)



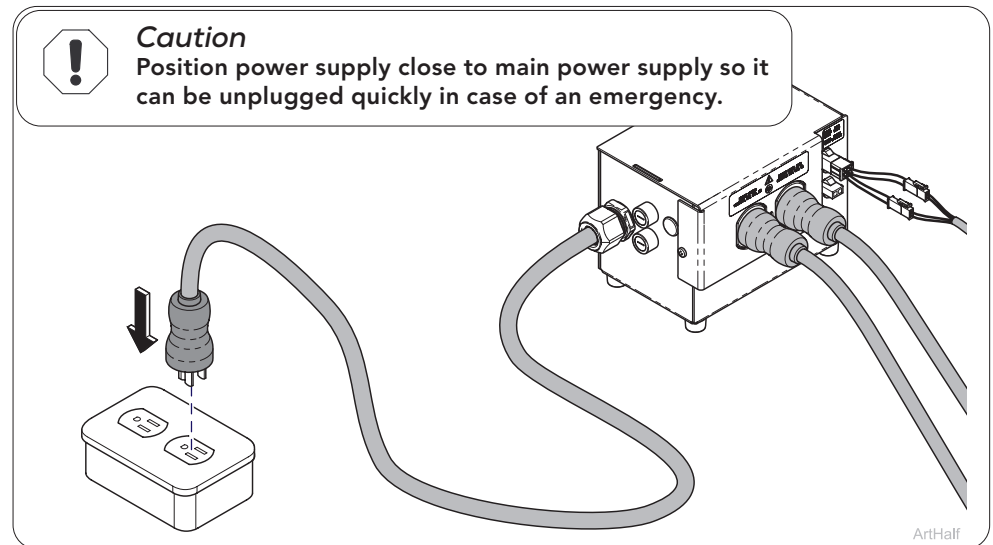
**Step 1:**  
Remove J-Box lid. Remove screw and cover from power supply.



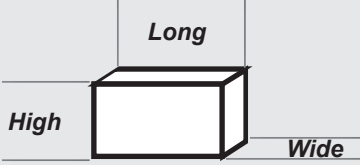
**Step 2:**  
Place power supply into J-Box in front of chair.



**Step 3:**  
Plug in 4 pin connector from Light into power supply.  
**Note: Refer to Midmark Light setup manuals for installing on to chair.**



**Step 4:**  
Plug in power supply into outlet.

<b>Specifications</b>	
Electrical Requirements:	120 V~ , 60Hz, 12A
	Fuse F1, F2: T3.15A H 250 V
Classifications:	Protection Against Electric Shock: Class I Ingress Protection (IEC 60529): IPX0 Mode of Operation: Continuous Operation
Dimensions:  7.2 in. (18.3 cm.) Long 4.5 in. (11.4 cm.) Wide 4.7 in. (11.9 cm.) High	



**WARNING**

Only use Midmark specified fuses, failure to do so could result in a fire or an electrical hazard.

<b>Certification and Compliance</b>	
<b>Certifications:</b>	ANSI/AAMI ES60601-1:2005 + A1:2012 + A2:2021 CAN/CSA-C22.2 No. 60601-1:14 + A2:22
<b>Compliance:</b>	IEC 60601-1-2:2014+A1:2020 IEC TS 60601-4-2:2024 ISO 9680:2021 ANSI/AAMI/IEC 60601-1-2:2014 + A1:2021

## EMC - Manufacturer's Declaration and Guidance

### Guidance and manufacturer's declaration – electromagnetic emissions

The Midmark Power Supply is intended for use in the electromagnetic environment specified below. The customer or the user of the Midmark Power Supply should assure that it is used in such an environment.

Emissions Test	Compliance	Electromagnetic environment – guidance
RF Emissions CISPR 11	Group 1	The Midmark Dental Delivery System uses RF energy only for its internal functions. Therefore, its RF emissions are very low and are not likely to cause any interference in nearby electronic equipment.
RF Emissions CISPR 11	Class A	The Midmark Dental Delivery System is suitable for use in industrial areas and professional healthcare facilities. The Midmark Dental Delivery System is not intended to be used in a residential environment.
Harmonic emissions IEC 61000-3-2	NA	Not applicable do to the Midmark Dental Delivery System is 120 VAC 60 Hz only and does not exceed 220 VAC.
Voltage fluctuations/ flicker emissions IEC 61000-3-3	NA	

### Recommended separation distances between portable and mobile RF communications equipment and the Midmark Dental Delivery System


The Midmark Dental Delivery System is intended for use in an electromagnetic environment in which radiated RF disturbances are controlled. The customer or the user of the Midmark Dental Delivery System can help prevent electromagnetic interference by maintaining a minimum distance between portable and mobile RF communication equipment (transmitters) and the Midmark Dental Delivery System as recommended below, according to the maximum output power of the communications equipment.

Radiated maximum output power of transmitter W	Separation distance according to frequency of transmitter m		
	150 kHz to 80 MHz $d = 1.2 \times \sqrt{P}$	80 MHz to 800 MHz $d = 1.2 \times \sqrt{P}$	800 MHz to 2.5 GHz $d = 2.3 \times \sqrt{P}$
0.01	0.12	0.12	0.23
0.1	0.37	0.37	0.74
1	1.17	1.17	2.34
10	3.69	3.69	7.38
100	11.67	11.67	23.34

For transmitters rated at a maximum output power not listed above, the recommended separation distance (d) in meters (m) can be estimated using the equation applicable to the frequency of the transmitter, where P is the maximum output power rating of the transmitter in watts (W) according to the transmitter manufacturer.

NOTE 1: At 80 MHz and 800 MHz, the separation distance for the higher frequency range applies

NOTE 2: These guidelines may not apply in all situations. Electromagnetic propagation is affected by absorption and reflection from structures, objects and people.

Guidance and manufacturer's declaration – electromagnetic immunity		
The Midmark Dental Delivery System is intended for use in the electromagnetic environment specified below. The customer or the user of the Midmark Dental Delivery System should assure that it is used in such an environment.		
Immunity Test	Compliance Level	Electromagnetic environmental - guidance
Portable and mobile RF communications equipment should be used no closer to any part of the Midmark Dental Delivery System including cables, than the recommended separation distance calculated from the equation applicable to the frequency of the transmitter. Recommended separation distance:		
Conducted RF IEC 61000-4-6 (2013)	3V	$d = 1.2 \times \sqrt{P}$
Radiated RF IEC 61000-4-3 (2010)	3V/m	$d = 1.2 \times \sqrt{P}$ 80 MHz to 800 MHz $d = 2.3 \times \sqrt{P}$ 800 MHz to 2.5 GHz
Where P is the maximum output power rating of the transmitter in watts (W) according to the transmitter manufacturer and d is the recommended separation in meters (m).  Field strength from fixed RF transmitters, as determined by the electromagnetic site survey. a) Should be less than the compliance level in each frequency range. b) Interference may occur in the vicinity of equipment marked with the following symbol: 		
<b>NOTE 1:</b> At 80 MHz and 800 MHz, the higher frequency range applies		
<b>NOTE 2:</b> These guidelines may not apply in all situations. Electromagnetic propagation is affected by absorption and reflection from structures, objects and people.		
<p><sup>a</sup> Field strengths from fixed transmitters, such as base stations for radio (cellular/cordless) telephones and land mobile radios, amateur radio, AM and FM radio broadcast and TV broadcast cannot be predicted theoretically with accuracy. To assess the electromagnetic environment due to fixed RF transmitters, an electromagnetic site survey should be considered. If the measured field strength in the location is which the Midmark Dental Delivery System is used exceeds the applicable RF compliance level above, the Midmark Dental Delivery System should be observed to verify normal operation. If abnormal performance is observed, additional measures may be necessary, such as re-orienting or relocating the Midmark Dental Delivery System.</p> <p><sup>b</sup> Over the frequency range 150kHz to 80MHz, field strengths should be less than 3 V/m.</p>		

**Guidance and manufacturer's declaration – electromagnetic immunity**

The Midmark Dental Delivery System is intended for use in the electromagnetic environment specified below. The customer or the user of the Midmark Dental Delivery System should assure that it is used in such an environment.

<b>Immunity Test</b>	<b>Compliance Level</b>	<b>Electromagnetic environmental - guidance</b>
Electrostatic discharge (ESD) IEC 61000-4-2 (2008)	± 8 kV Contact ± 2kV, ± 4 kV, ± 8 kV, ± 15 kV Air	Floors should be wood, concrete or ceramic tile. If floors are covered with synthetic material, the relative humidity should be at least 30%.
Proximity Fields from RF Wireless Communications Equipment IEC61000-4-3 (2010)	3 V/m (80 MHz -2.7 GHz) 80% AM at 1kHz	
Electrical fast Transient / burst IEC 61000-4-4 (2012)	± 2kV @ 100kHz Rep. (AC Mains) ± 1kV @ 100kHz Rep. (I/O Ports)	Mains power quality should be that of a typical commercial or hospital environment.
Surge IEC 61000-4-5 (2017)	± 0.5 kV, ± 1 kV L-L ± 0.5 kV, ± 1 kV, & ± 2 kV L-PE	Mains power quality should be that of a typical commercial or hospital environment.
Conducted RF IEC61000-4-6 (2013)	3 V m) 0.15 MHz – 80 MHz 6 V in ISM and amateur radio bands between 0.15 MHz and 80 MHz 80% AM at 1 kHz	
Power frequency (50/60 Hz) magnetic field IEC 61000-4-8 (2009)	30 A/m, 60 Hz	Power frequency magnetic fields should be at levels characteristic of a typical location in a typical commercial or hospital environment.
Voltage dips, short interruptions and voltage variations on power supply input lines IEC 61000-4-11 (2017)	0% UT for 0.5 cycle At 0°, 45°, 90°, 135°, 180°, 225°, 270°, and 315°. 0% UT for 1 cycle 70% UT for 25/30 cycles 0% UT for 250/300 cycles	Mains power quality should be that of a typical commercial or hospital environment. If the user of the Midmark Dental Delivery System requires continued operation during power mains interruptions, it is recommended that the Midmark Dental Delivery System be powered from an uninterruptible power supply or a battery.

NOTE: UT is the a.c. mains voltage prior to application of the test level.

## Warranty Information

Scan the following QR code for access to the Dental Chair warranty.



## Warranty Registration

Scan the following QR code for access to the Dental Chair warranty registration.



## Configuración de la fuente de alimentación Midmark (029-11724-00)

*Se aplica a los modelos:*  
CH-1000 con CH-MOUNT  
DS-1200

*Herramientas  
especiales:*  
ninguna

**Nota**

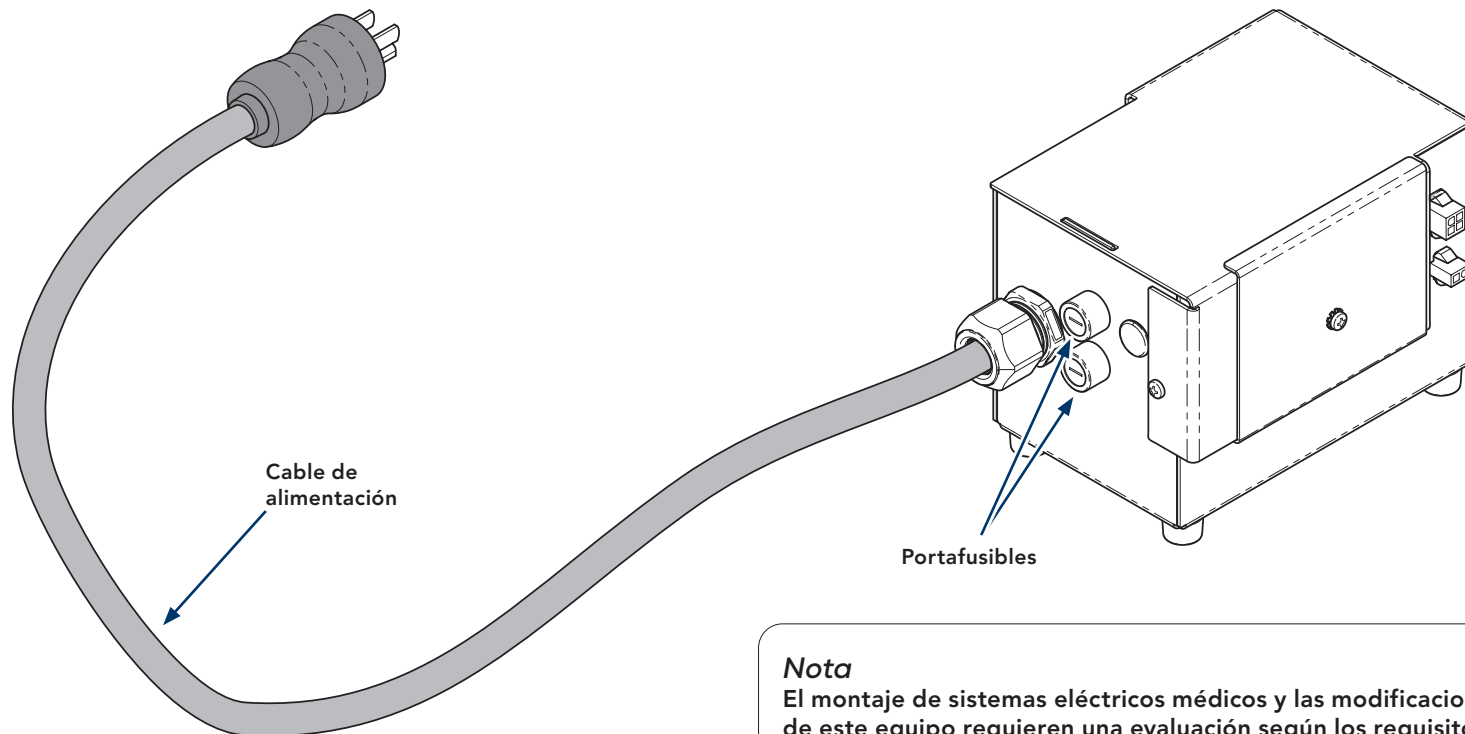
Las unidades de fuente de alimentación están disponibles en los modelos de 120 V~. Asegúrese de que instala la unidad adecuada para la potencia de la red eléctrica.

### Fuente de alimentación

La fuente de alimentación centraliza las entradas de alimentación eléctrica y distribuye la potencia a los componentes existentes según las necesidades.

**Nota**

Las intervenciones en los fusibles o en los cables de alimentación deberán ser realizadas por un técnico de servicio recomendado por Midmark.



**Nota**

El montaje de sistemas eléctricos médicos y las modificaciones durante la vida útil de este equipo requieren una evaluación según los requisitos de la serie 60601 de normas de seguridad para equipos eléctricos médicos.

ArtFull

## Glosario de símbolos



### **ADVERTENCIA**

Indica una situación potencialmente peligrosa que podría ocasionar lesiones graves.



### **Precaución**

Indica una situación potencialmente peligrosa que puede ocasionar lesiones leves o moderadas. También puede usarse para advertir contra prácticas peligrosas.



### **Advertencia sobre el equipo**

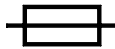
Indica una situación potencialmente peligrosa que podría provocar daños en el equipo.

### **Nota**

Desarrolla un procedimiento, una práctica o una condición.



Siga las instrucciones de uso



Fusible tipo T



Toma de tierra de protección

## Uso previsto

La fuente de alimentación se ha diseñado para que el usuario no pueda acceder a ella. Se ha diseñado para suministrar electricidad en niveles de tensión (CC) predeterminados a una lámpara dental Midmark.

## Interferencia electromagnética

Los componentes del equipo dental Midmark se han diseñado y construido para reducir al mínimo las interferencias electromagnéticas con otros dispositivos. Sin embargo, si se observan interferencias entre este equipo y otros dispositivos, saque de la habitación el dispositivo que produce la interferencia o enchufe el producto en un circuito aislado.

## Condiciones de transporte y almacenamiento

Temperatura de transporte y almacenamiento ..... De -30 °C a 60 °C (de -22 °F a 140 °F)  
Humedad relativa ..... De 10 % a 90 % (sin condensación)  
Presión atmosférica ..... De 50 a 106 kPa (de 7,3 a 15,3 psig)

## Condiciones de funcionamiento

Intervalo de temperatura operativa ambiental ..... De 15 a 35 °C (de 59 a 95 °F)  
Humedad relativa ..... De 10 % a 90 % (sin condensación)  
Presión atmosférica ..... De 69 a 106 kPa (de 10 a 15,3 psig)

## Eliminación del equipo

Al final del ciclo de vida del producto, tanto la unidad como sus accesorios y otros materiales fungibles podrían estar contaminados por efecto de su uso habitual. Consulte la normativa local para saber cómo deshacerse adecuadamente del equipo y otros materiales fungibles.



### ADVERTENCIA

No modifique este equipo sin autorización del fabricante.



### ADVERTENCIA

El equipo no debe utilizarse en presencia de mezclas anestésicas inflamables con oxígeno, aire u óxido nitroso.

Aclaración: El equipo puede utilizarse en presencia de oxígeno, aire u óxido nitroso.



### ADVERTENCIA

Utilice solo fusibles especificados por Midmark; de lo contrario, podrían producirse riesgos eléctricos o un incendio.



### ADVERTENCIA

No utilice adaptadores multitoma, tiras de salida ni cables de extensión con esta fuente de alimentación.



### ADVERTENCIA

Conecte únicamente sillones dentales, sistemas de suministro, luces, monitores y fuentes de alimentación Midmark homologados al montar el consultorio dental (sistema eléctrico médico). Productos aprobados por Midmark que se enumeran a continuación:

CH-1000	Sillón dental Midmark
DS-1100-001	Sistema dental para médicos en sillón Midmark de montaje izquierda-derecha
DS-1200-001	Sistema de suministro dental para médicos Midmark con montaje en armario/columna con posición de las 12 en punto
ADS-1100-001	Sistema dental auxiliar con montaje en sillón de Midmark
ADS-1200-001	Sistema dental auxiliar con montaje en armario Midmark
LT-1100-001	Luz LED dental con montaje en sillón izquierda-derecha Midmark
LT-1200-001	Luz LED dental con montaje en armario Midmark
LT-1300-001	Luz LED dental con montaje en pared Midmark
LT-1400-XXX	Luz LED dental con montaje en techo Midmark
LT-1500-XXX	Luz LED dental con montaje en riel Midmark con monitor
LT-1600-XXX	Luz LED dental con montaje en riel Midmark
9A738002	Monitor dental con montaje en sillón izquierda-derecha Midmark
029-11724-00	Fuente de alimentación dental Midmark

No se ha evaluado la seguridad de otras combinaciones de equipos

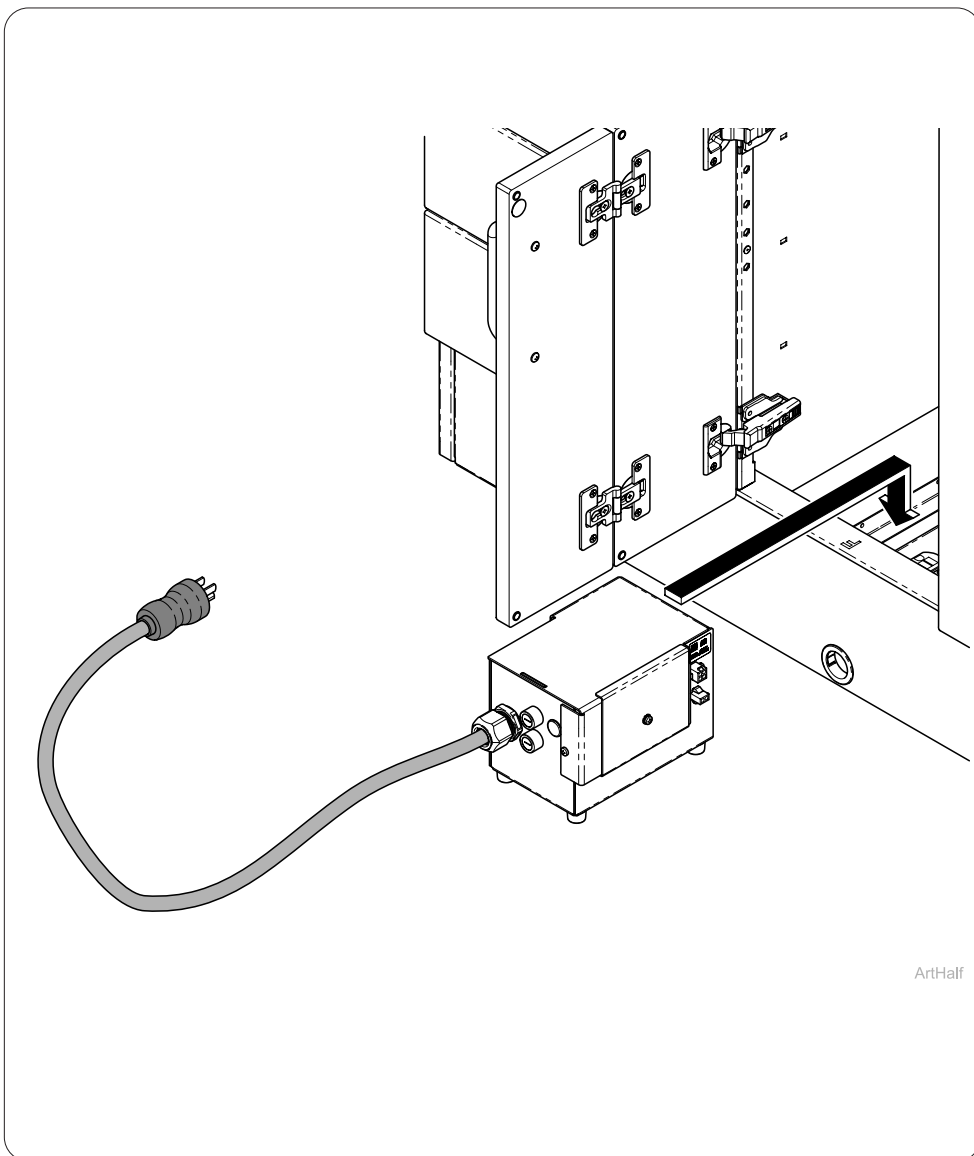
## Conexiones eléctricas (para armario)



### ADVERTENCIA

Para evitar el riesgo de descarga eléctrica, este equipo debe conectarse a una fuente de alimentación con toma de tierra de protección y cumplir las normas locales. Instale uno que cumpla estos requisitos si no dispone de ninguno:

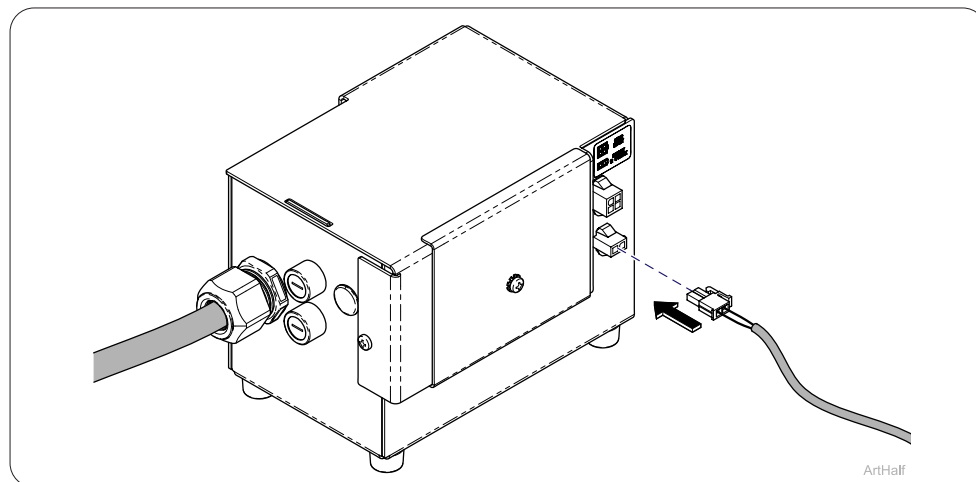
Modelo de 120 V CA: 120 V~, 60 Hz, 12 A



ArtHalf

### Paso 1:

Abra la puerta central de la base del armario 12:00. Instale la fuente de alimentación en el armario.

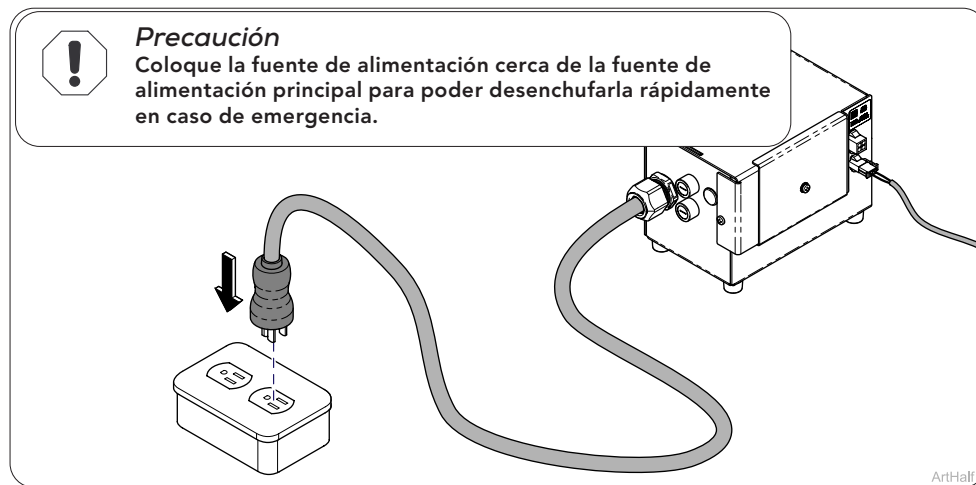


ArtHalf

### Paso 2:

Enchufe el conector de 2 clavijas de la unidad a la fuente de alimentación.

**Nota:** Consulte los manuales de configuración de la unidad Midmark para su instalación en la pared del armario.



ArtHalf

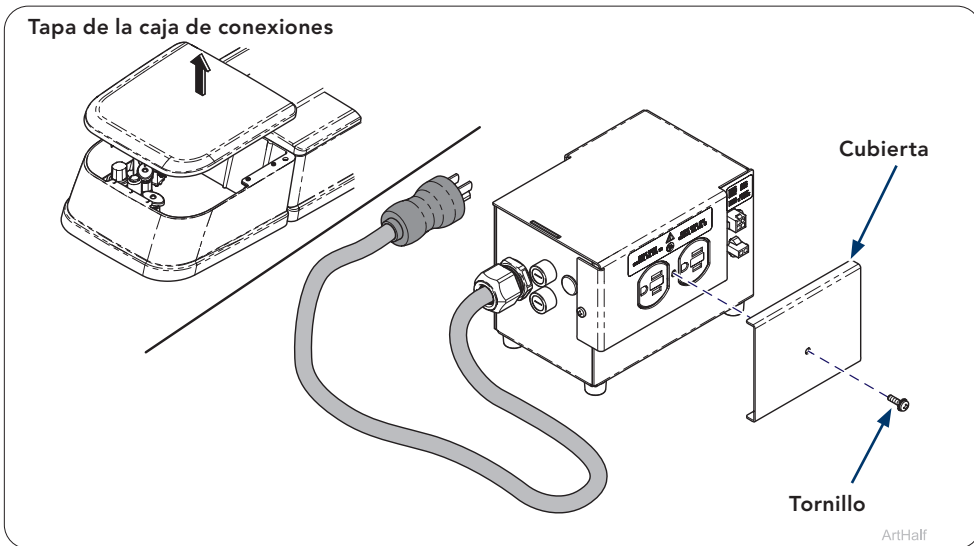
### Precaución

Coloque la fuente de alimentación cerca de la fuente de alimentación principal para poder desenchufarla rápidamente en caso de emergencia.

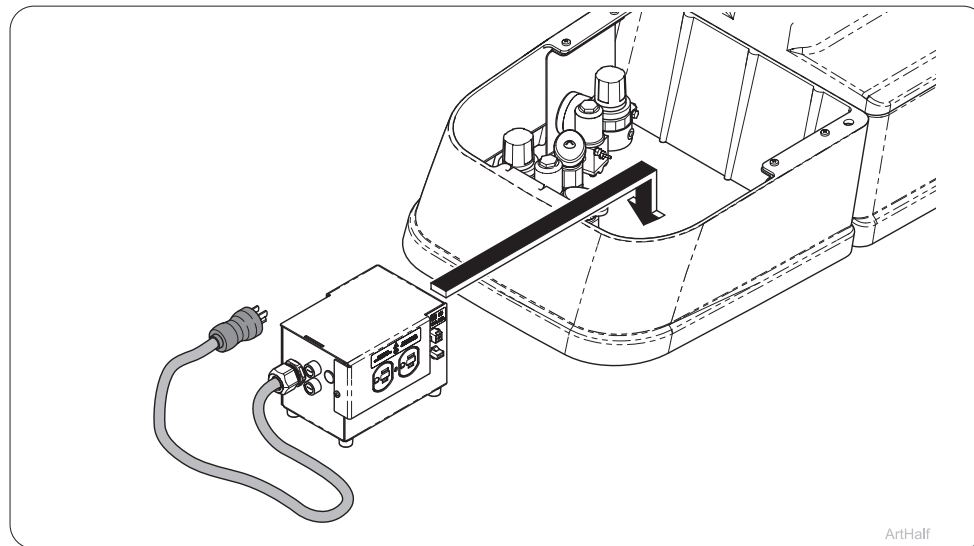
### Paso 3:

Conecte la fuente de alimentación a la toma de corriente principal.

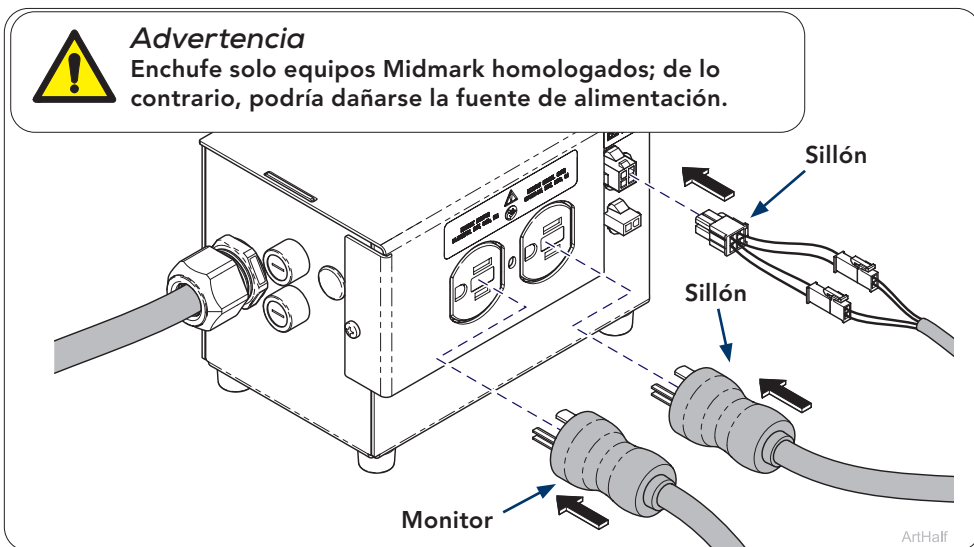
## Conexiones eléctricas (para la caja de conexiones del sillón)



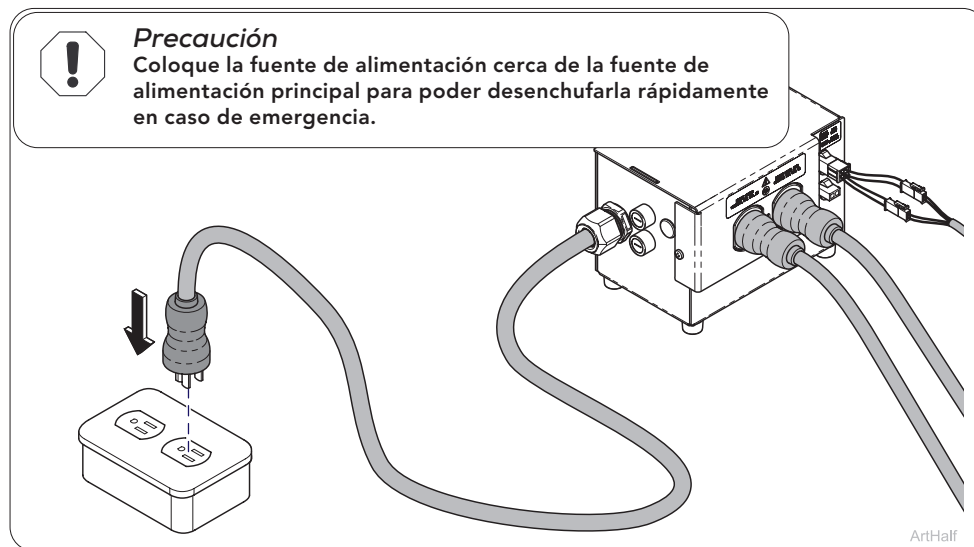
**Paso 1:**  
Retire la tapa de la caja de conexiones. Retire el tornillo y la cubierta de la fuente de alimentación.



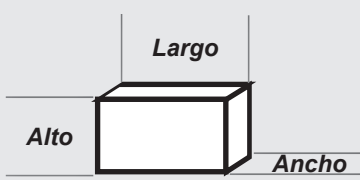
**Paso 2:**  
Coloque la fuente de alimentación en la caja de conexiones delante del sillón.



**Paso 3:**  
Enchufe el conector de 4 clavijas de la lámpara a la fuente de alimentación.  
**Nota:** Consulte los manuales de instalación de la lámpara Midmark para instalarla en el sillón.



**Paso 4:**  
Enchufe la fuente de alimentación a la toma de corriente.

<b>Especificaciones</b>	
Requisitos eléctricos:	~120 V, 60 Hz, 12 A
	Fusibles F1, F2: T3.15 A H 250 V
Clasificaciones:	Protección contra descargas eléctricas: Clase I Protección de entrada (IEC 60529): IPX0 Modo de funcionamiento: Funcionamiento continuo
Dimensiones:	<div style="display: flex; align-items: center; justify-content: center;"> <div style="margin-right: 20px;"> <p>18,3 cm (7,2 in) Largo</p> <p>11,4 cm (4,5 in) Ancho</p> <p>11,9 cm (4,7 in) Alto</p> </div> <div style="text-align: center;">  </div> </div>



**ADVERTENCIA**

Utilice solo fusibles especificados por Midmark; de lo contrario, podrían producirse riesgos eléctricos o un incendio.

<b>Certificación y conformidad</b>	
<b>Certificaciones:</b>	ANSI/AAMI ES60601-1:2005 Y A1:2012 Y A2:2021 CAN/CSA-C22.2 N.º 60601-1:14 + A2:22
<b>Conformidad:</b>	IEC 60601-1-2:2014+A1:2020 IEC TS 60601-4-2:2024 ISO 9680:2021 ANSI/AAMI/IEC 60601-1-2:2014 + A1:2021

## CEM: directrices y declaración del fabricante

<b>Directrices y declaración del fabricante: emisiones electromagnéticas</b>		
La fuente de alimentación Midmark se ha diseñado para su uso en el entorno electromagnético especificado a continuación. El cliente o el usuario de la fuente de alimentación Midmark debe asegurarse de que se utiliza en un entorno de este tipo.		
<b>Ensayo de emisiones</b>	<b>Conformidad</b>	<b>Entorno electromagnético: directrices</b>
CISPR 11: emisiones de radiofrecuencia	Grupo 1	El sistema de suministro dental Midmark solo utiliza energía de radiofrecuencia para sus funciones internas. Por tanto, sus emisiones de radiofrecuencia son muy bajas y no es probable que causen interferencias en otros equipos electrónicos cercanos.
CISPR 11: emisiones de radiofrecuencia	Clase A	El sistema de suministro dental Midmark es adecuado para su uso en zonas industriales y en instalaciones sanitarias profesionales. El sistema de suministro dental Midmark no se ha diseñado para su uso en un entorno residencial.
IEC 61000-3-2: emisiones armónicas	N/A	No aplicable debido a que el sistema de suministro dental Midmark es solo de 120 V CA, 60 Hz, y no supera los 220 V CA.
Emisiones de fluctuaciones de tensión/flicker IEC 61000-3-3	N/A	

<b>Distancias de separación recomendadas entre los equipos de comunicación por radiofrecuencia portátiles y móviles, y el sistema de suministro dental Midmark.</b>			
El sistema de suministro dental se ha diseñado en un entorno electromagnético en el que las perturbaciones de radiofrecuencia están controladas. El cliente o el usuario del sistema de suministro dental Midmark puede ayudar a prevenir las interferencias electromagnéticas manteniendo una distancia de separación mínima entre los equipos de comunicación por radiofrecuencias portátiles y móviles (transmisores) y la lámpara dental Midmark, tal y como se recomienda a continuación, de acuerdo con la potencia de salida máxima del equipo de comunicación.			
Potencia de salida radiada máxima del transmisor W	Distancia de separación según la frecuencia del transmisor (m)		
	De 150 kHz a 80 MHz $d = 1,2 \times \sqrt{P}$	De 80 kHz a 800 MHz $d = 1,2 \times \sqrt{P}$	De 800 MHz a 2,5 GHz $d = 2,3 \times \sqrt{P}$
0,01	0,12	0,12	0,23
0,1	0,37	0,37	0,74
1	1,17	1,17	2,34
10	3,69	3,69	7,38
100	11,67	11,67	23,34
Para aquellos transmisores que tienen un valor nominal de potencia de salida máxima que no se recoge en la tabla anterior, la distancia de separación recomendada (d) en metros (m) puede calcularse utilizando la ecuación aplicable a la frecuencia del transmisor, donde P es el valor nominal de la potencia de salida máxima del transmisor en vatios (W) según el fabricante del transmisor. NOTA 1: A 80 MHz y a 800 MHz, se aplica la distancia de separación para el rango de frecuencias superior. NOTA 2: Es posible que estas directrices no sean aplicables en todas las situaciones. La propagación electromagnética se ve afectada por la absorción y la reflexión de estructuras, objetos y personas.			

### Directrices y declaración del fabricante: inmunidad electromagnética

El sistema de suministro dental Midmark se ha diseñado para su uso en el entorno electromagnético especificado a continuación. El cliente o el usuario del sistema de suministro dental Midmark debe asegurarse de que se utiliza en un entorno de este tipo.

Ensayo de inmunidad	Nivel de conformidad	Entorno electromagnético: directrices
Para utilizar equipos de comunicación por radiofrecuencia portátiles y móviles, estos deben estar a una distancia de cualquier parte del sistema de suministro dental Midmark, incluidos los cables, igual o mayor a la distancia de separación recomendada calculada mediante la ecuación aplicable a la frecuencia del transmisor. Distancia de separación recomendada:		
Radiofrecuencia conducida IEC 61000-4-6 (2013)	3 V	$d=1,2 \times \sqrt{P}$
Radiofrecuencia radiada IEC 61000-4-3 (2010)	3 V/m	$d= 1,2 \times \sqrt{P}$ de 80 a 800 MHz $d= 2,3 \times \sqrt{P}$ de 800 MHz a 2,5 GHz

Donde P es el valor nominal de potencia de salida máxima del transmisor en vatios (W) según el fabricante del transmisor y d es la separación recomendada en metros (m).

La intensidad de campo de los transmisores de radiofrecuencia fijos, determinada en la inspección electromagnética del sitio, a) debería ser menor que el nivel de conformidad en cada rango de frecuencias.  
b) Pueden producirse interferencias en las proximidades de equipos marcados con los siguientes símbolos:



**NOTA 1:** A 80 MHz y a 800 MHz, se aplica el rango de frecuencias superior

**NOTA 2:** Es posible que estas directrices no sean aplicables en todas las situaciones. La propagación electromagnética se ve afectada por la absorción y la reflexión de estructuras, objetos y personas.

<sup>a</sup> En teoría, la intensidad de campo de los transmisores fijos, como las estaciones de base para radiotelefonía (teléfonos móviles/inalámbricos) y radiocomunicaciones móviles terrestres, radioafición, radiodifusión en AM y FM, y difusión por televisión, no pueden predecirse con precisión. Para evaluar el entorno electromagnético debido a transmisores de radiofrecuencia fijos, debe considerarse la posibilidad de realizar una inspección electromagnética del sitio. Si la intensidad de campo medida en el sitio en que se utiliza el sistema de suministro dental Midmark supera el nivel de conformidad aplicable con respecto a la radiofrecuencia, debe observarse el sistema para comprobar que funcione con normalidad. Si se observan anomalías en el funcionamiento, es posible que sea necesario adoptar medidas adicionales, como reorientar o reubicar el sistema de suministro dental Midmark.  
<sup>b</sup> En el rango de frecuencias de 150 kHz a 80 MHz, las intensidades de campo deben ser menores a 3 V/m.

**Directrices y declaración del fabricante: inmunidad electromagnética**

El sistema de suministro dental Midmark se ha diseñado para su uso en el entorno electromagnético especificado a continuación. El cliente o el usuario del sistema de suministro dental Midmark debe asegurarse de que se utiliza en un entorno de este tipo.

<b>Ensayo de inmunidad</b>	<b>Nivel de conformidad</b>	<b>Entorno electromagnético: directrices</b>
Descargas electrostáticas (ESD) IEC 61000-4-2 (2008)	Contacto de $\pm 8$ kV $\pm 2$ kV, $\pm 4$ kV, $\pm 8$ kV, $\pm 15$ kV aire	Los suelos deberían ser de madera, hormigón o baldosas de cerámica. Si los suelos están cubiertos con materiales sintéticos, la humedad relativa debería ser de al menos el 30 %.
Campos de proximidad de los equipos de comunicaciones inalámbricas por radiofrecuencia IEC61000-4-3 (2010)	3 V/m (80 MHz - 2,7 GHz) 80 % AM a 1kHz	
Transitorios eléctricos rápidos en ráfagas IEC 61000-4-4 (2012)	$\pm 2$ kV a 100 kHz Rep. (red de CA) $\pm 1$ kV a 100 kHz Rep. (puertos de E/S)	La calidad de la red eléctrica debe ser equivalente a la de un entorno comercial u hospitalario normal.
Sobretensión IEC 61000-4-5 (2017)	$\pm 0,5$ kV, $\pm 1$ kV L-L $\pm 0,5$ kV, $\pm 1$ kV y $\pm 2$ kV L-PE	La calidad de la red eléctrica debe ser equivalente a la de un entorno comercial u hospitalario normal.
Radiofrecuencia conducida IEC61000-4-6 (2013)	3 V m) 0,15 MHz - 80 MHz 6 V en bandas ISM y de radioaficionados entre 0,15 MHz y 80 MHz 80 % AM a 1kHz	
Campos magnéticos a frecuencia industrial (50/60 Hz) IEC 61000-4-8 (2009)	30 A/m, 60 Hz	Los campos magnéticos a frecuencia industrial deben estar a los niveles habituales de una ubicación normal en un entorno comercial u hospitalario normal.
Huecos de tensión, interrupciones breves y variaciones de tensión en las líneas de entrada de alimentación IEC 61000-4-11 (2017)	0 % UT durante 0,5 ciclos A 0°, 45°, 90°, 135°, 180°, 225°, 270° y 315°. 0 % UT durante 1 ciclo 70 % UT durante 25/30 ciclos 0 % UT durante 250/300 ciclos	La calidad de la red eléctrica debe ser equivalente a la de un entorno comercial u hospitalario normal. Si el usuario del sistema de suministro dental Midmark necesita utilizarlo durante las interrupciones del suministro eléctrico, se recomienda que la fuente de alimentación sea ininterrumpida o que utilice una batería.

NOTA: UT es la tensión de la red de alimentación de CA antes de la aplicación del nivel de ensayo.

# Información sobre la garantía

Escanee el siguiente código QR para acceder a la garantía del sillón dental.



# Registro de garantía

Escanee el siguiente código QR para acceder al registro de la garantía del sillón dental.



## Configuration du bloc d'alimentation électrique Midmark (029-11724-00)

**Modèles concernés :**  
CH-1000 avec CH-MOUNT  
DS-1200

**Outils spéciaux :**  
aucun

**Remarque**

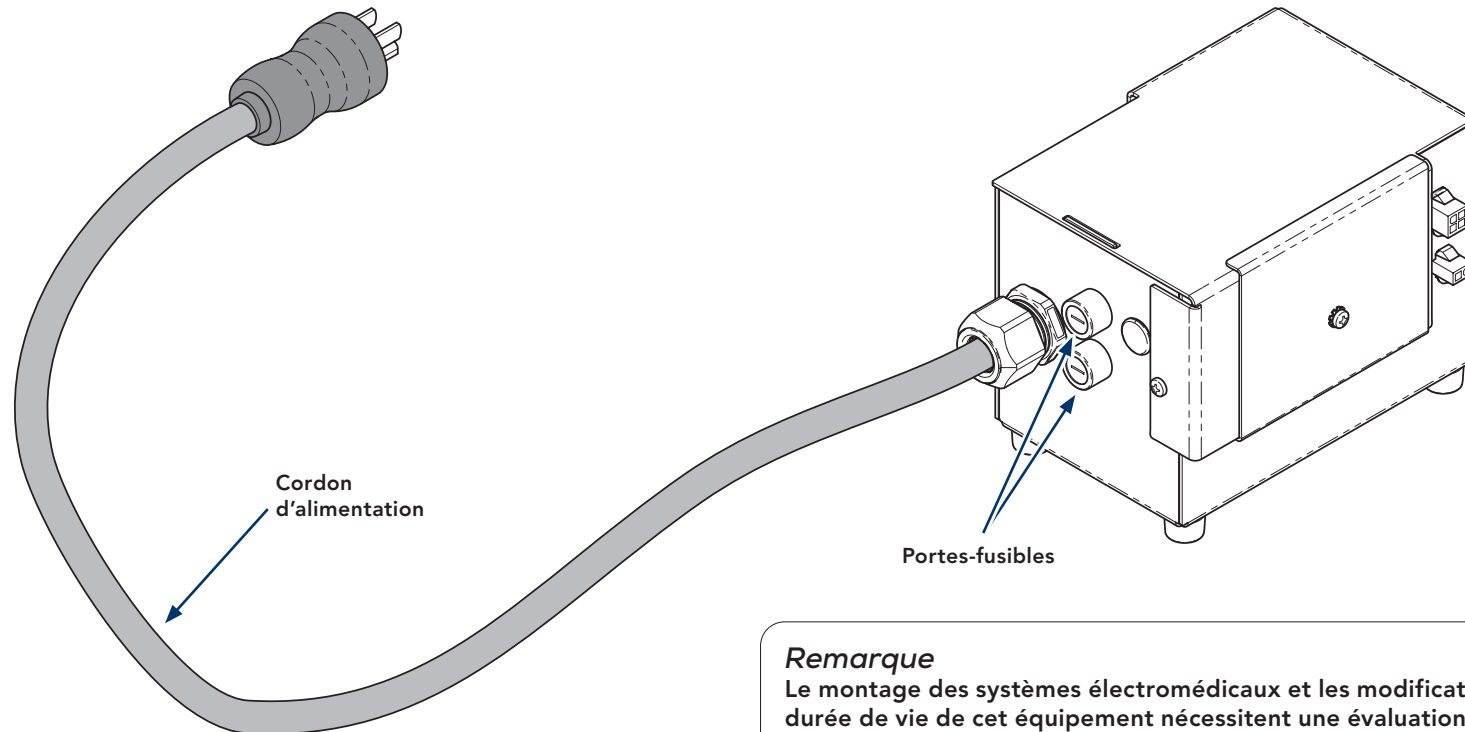
Les unités du bloc d'alimentation sont disponibles en 120V~. Assurez-vous que vous installez le bon bloc pour l'alimentation secteur.

**Bloc d'alimentation**

Le bloc d'alimentation centralise les entrées d'alimentation électrique, et distribue la puissance requise aux composants du fauteuil.

**Remarque**

L'entretien des fusibles et/ou des cordons d'alimentation doit être effectué par un technicien de maintenance recommandé par Midmark.



**Remarque**

Le montage des systèmes électromédicaux et les modifications pendant la durée de vie de cet équipement nécessitent une évaluation de la conformité aux exigences des normes de sécurité de la série 60601 relatives aux équipements électriques médicaux.

ArtFull

## Glossaire des symboles



### **AVERTISSEMENT**

Signale un danger potentiel qui pourrait entraîner des blessures graves.



### **Attention**

Signale un danger potentiel qui risque d'entraîner des blessures modérées ou mineures. Il peut également servir à signaler à l'utilisateur des pratiques dangereuses.



### **Avertissement concernant l'équipement**

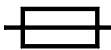
Signale un danger potentiel qui pourrait endommager l'équipement.

### **Remarque**

Attire l'attention sur une procédure, une pratique ou une situation.



Suivez les instructions d'utilisation



Fusible type T



Mise à la terre de protection

## Utilisation prévue

L'alimentation électrique est destinée à être une pièce non accessible par l'utilisateur. Elle est conçue pour délivrer de l'électricité à des niveaux de tension prédéterminés (CC) à une lampe dentaire Midmark.

## Interférences électromagnétiques

Les composants des cabinets dentaires Midmark sont conçus et construits de façon à minimiser les interférences électromagnétiques avec d'autres dispositifs. Si des interférences sont néanmoins constatées, il sera nécessaire de retirer de la pièce l'appareil causant les interférences et/ou de brancher le produit sur un circuit isolé.

## Transport et conditions de stockage

Température de transport et de stockage ..... -30 °C à 60 °C (-22 °F à 140 °F)  
Humidité relative ..... 10 à 90 % (sans condensation)  
Pression atmosphérique ..... 50 kPa à 106 kPa (7,3 psig à 15,3 psig)

## Conditions d'utilisation

Plage de température ambiante de fonctionnement ..... 15°C à 35°C (59°F à 95°F)  
Humidité relative ..... 10 à 90 % (sans condensation)  
Pression atmosphérique ..... 69 kPa à 106 kPa (10 psig à 15,3 psig)

## Mise au rebut de l'équipement

À l'issue de la durée de vie du produit, l'unité, les accessoires et d'autres fournitures peuvent être contaminés à la suite d'une utilisation normale. Consultez les codes et les réglementations locaux pour vous renseigner sur la mise au rebut appropriée de l'équipement et autres fournitures.



### AVERTISSEMENT

Ne modifiez pas cet équipement sans l'autorisation du fabricant.



### AVERTISSEMENT

Ce matériel ne doit pas être utilisé en présence d'un mélange anesthésique inflammable à l'oxygène, à l'air ou au protoxyde d'azote.

Clarification : L'équipement convient pour une utilisation en présence d'oxygène, d'air ou de protoxyde d'azote.



### AVERTISSEMENT

N'utilisez que des fusibles spécifiés par Midmark. Le non-respect de cette consigne pourrait entraîner un incendie ou un risque électrique.



### AVERTISSEMENT

N'utilisez pas d'adaptateurs multi-prises, de blocs multiprises ou de rallonges avec cette alimentation.



### AVERTISSEMENT

Connectez uniquement le fauteuil dentaire Midmark approuvé, les unités dentaires, l'éclairage, le moniteur et l'alimentation électrique lors du montage du cabinet dentaire (système électromédical).

Produits approuvés par Midmark listés ci-dessous :

CH-1000	Guide d'installation du fauteuil
DS-1100-001	Système d'unité dentaire montée sur fauteuil gauche-droite Midmark
DS-1200-001	Système d'unité dentaire montée sur armoire/colonne à 12 heures Midmark
ADS-1100-001	Système de distribution pour assistant monté sur fauteuil Midmark
ADS-1200-001	Système de distribution pour assistant monté sur armoire Midmark
LT-1100-001	Lampe LED dentaire montée sur fauteuil gauche-droite Midmark
LT-1200-001	Lampe LED dentaire montée sur armoire Midmark
LT-1300-001	Lampe LED dentaire montée au mur Midmark
LT-1400-XXX	Lampe LED dentaire montée au plafond Midmark
LT-1500-XXX	Lampe LED dentaire montée sur rail Midmark avec moniteur
LT-1600-XXX	Lampe LED dentaire montée sur rail Midmark
9A738002	Moniteur dentaire monté sur fauteuil gauche-droite Midmark
029-11724-00	Alimentation électrique dentaire Midmark

La sécurité d'autres combinaisons d'équipements n'a pas été évaluée.

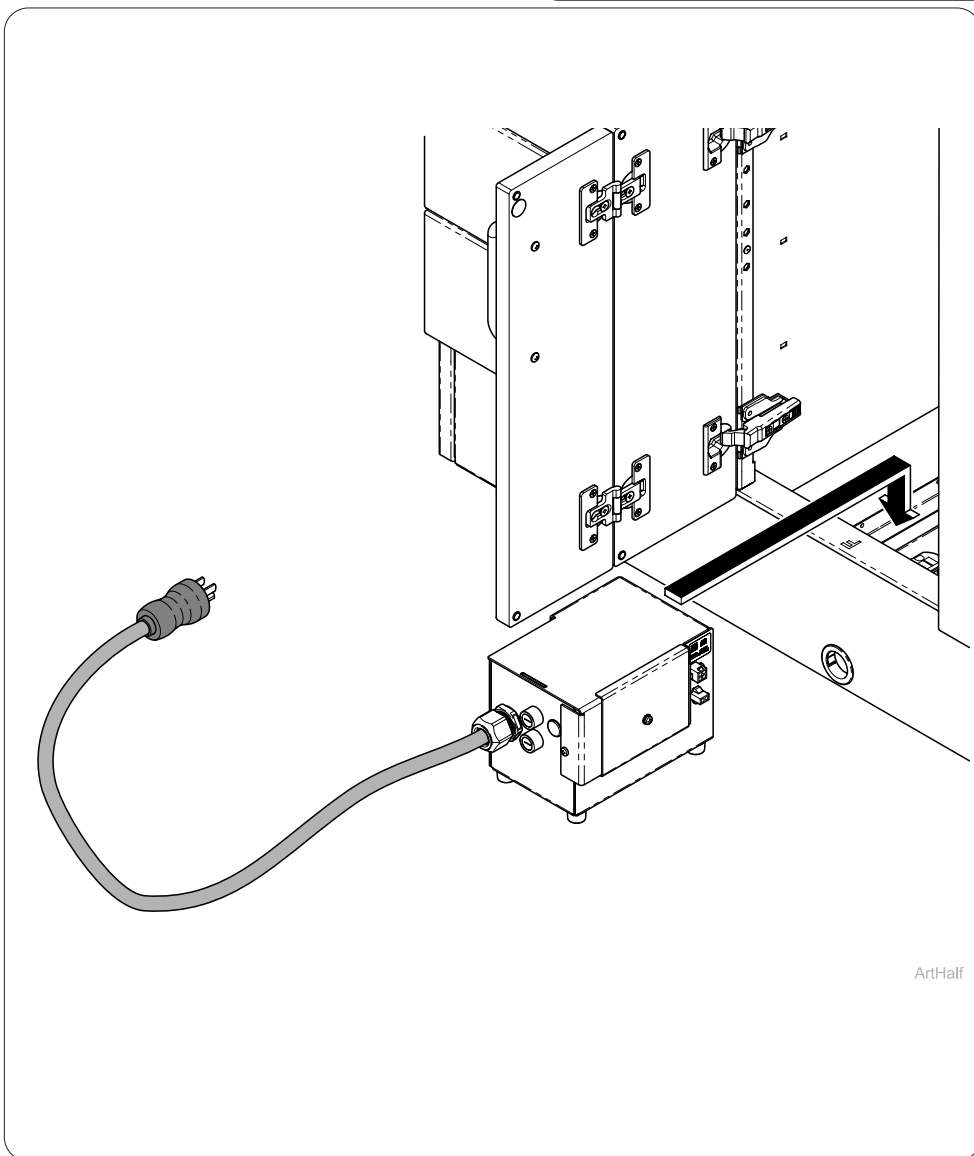
## Raccordements électriques (pour armoire)



### AVERTISSEMENT

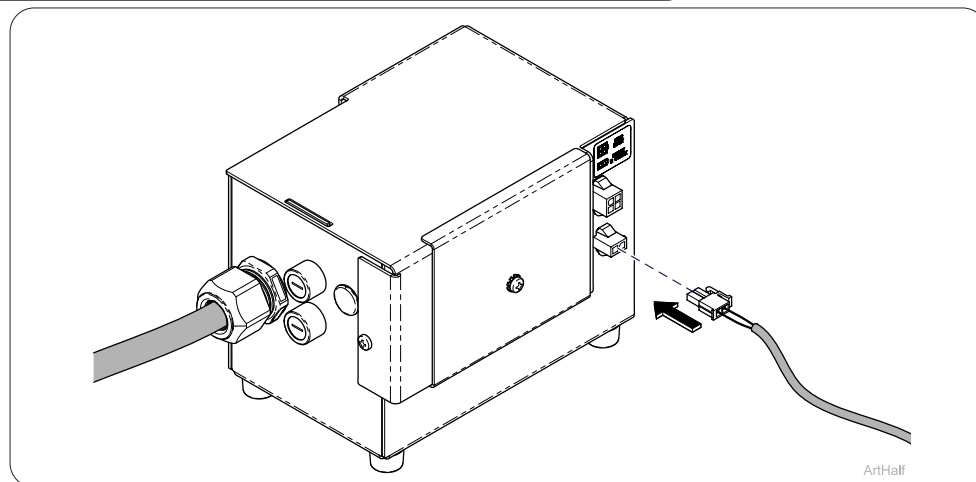
Pour éviter tout risque de choc électrique, cet équipement doit être raccordé à une prise de courant munie d'une prise de terre et être conforme aux normes locales. Si vous n'en avez pas, faites-en installer une avec les caractéristiques suivantes :

Modèle de 120 VCA : 120 V~, 60 Hz, 12 A



### Étape 1 :

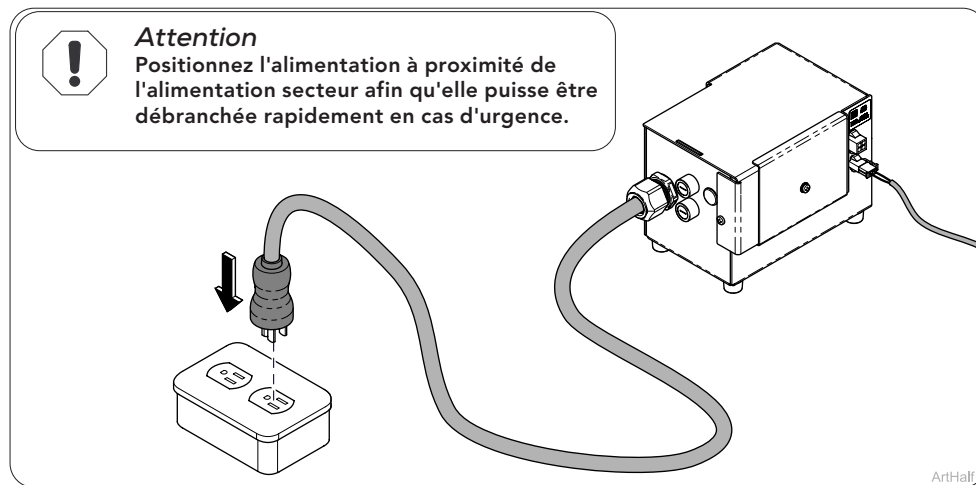
Ouvrez la porte centrale de la base de l'armoire 12:00. Installez l'alimentation électrique dans l'armoire.



### Étape 2 :

Branchez le connecteur à 2 broches de l'unité à l'alimentation électrique.

**Remarque :** Reportez-vous aux manuels de configuration de l'unité Midmark pour l'installation murale de l'armoire.



### Attention

Positionnez l'alimentation à proximité de l'alimentation secteur afin qu'elle puisse être débranchée rapidement en cas d'urgence.

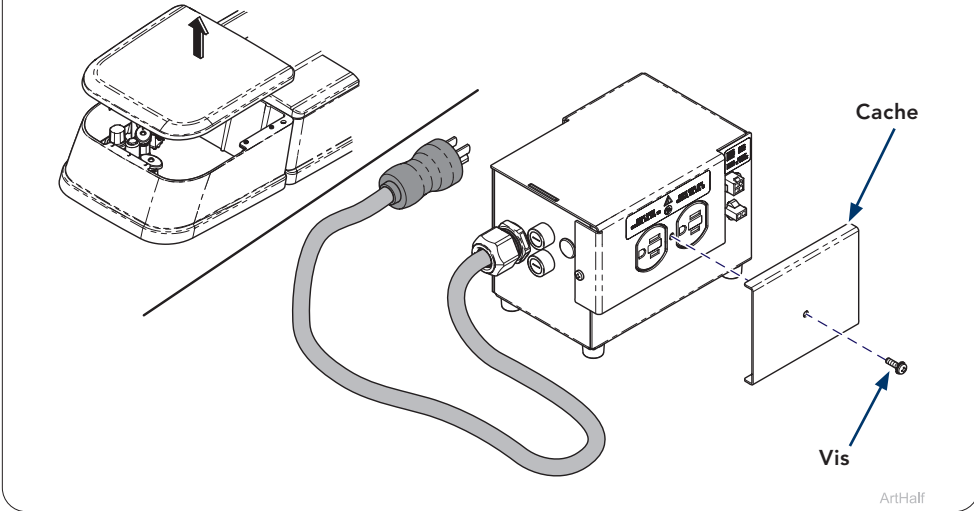
### Étape 3 :

Branchez l'alimentation sur la prise secteur.

# Raccordements électriques

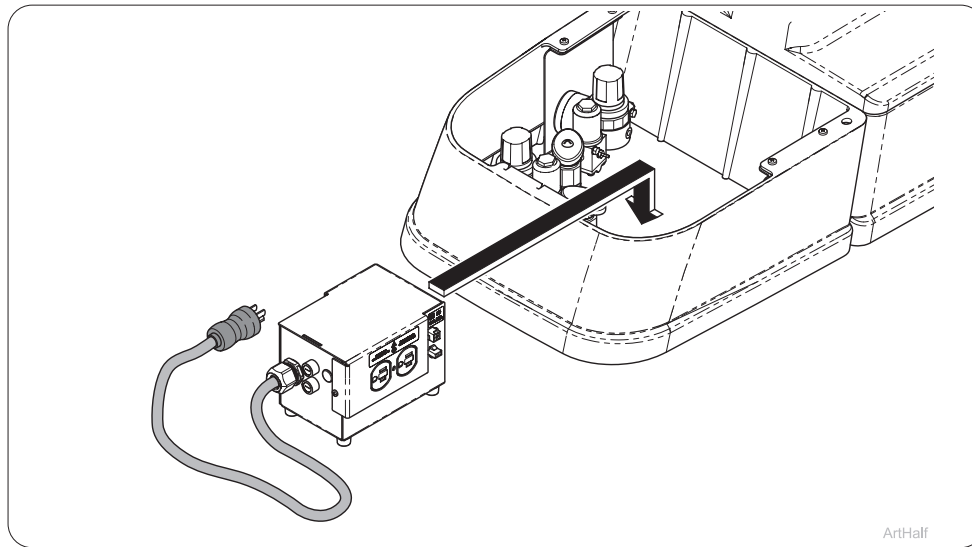
(pour la boîte de raccordement du fauteuil)

Couvercle de la boîte de raccordement



## Étape 1 :

Retirez le couvercle de la boîte de raccordement. Retirez la vis et le cache de l'alimentation électrique.



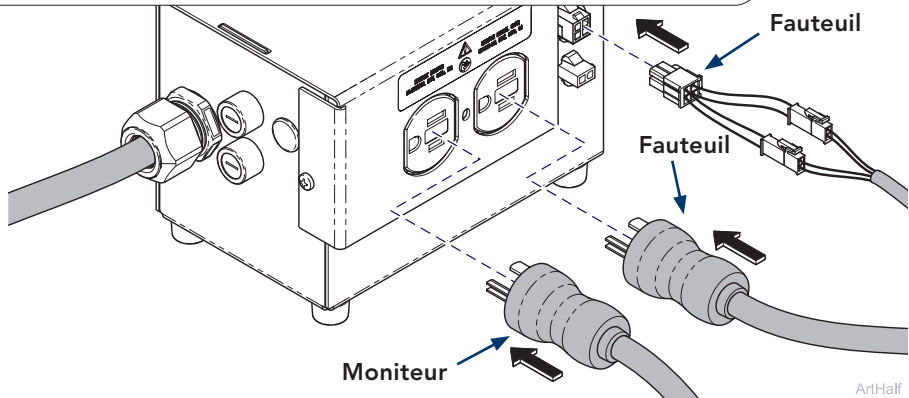
## Étape 2 :

Placez l'alimentation électrique dans la boîte de raccordement à l'avant du fauteuil.



### Avertissement

Branchez uniquement un équipement Midmark approuvé. Le non-respect de cette consigne pourrait endommager l'alimentation électrique.



## Étape 3 :

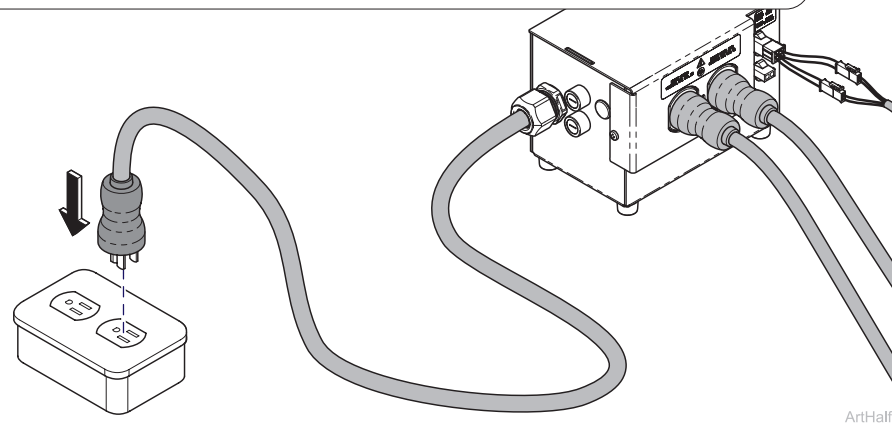
Branchez le connecteur à 4 broches de la lampe à l'alimentation électrique.

Remarque : Reportez-vous aux manuels de configuration des lampes Midmark pour l'installation sur le fauteuil.



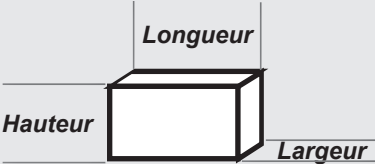
### Attention

Positionnez l'alimentation à proximité de l'alimentation secteur afin qu'elle puisse être débranchée rapidement en cas d'urgence.



## Étape 4 :

Branchez l'alimentation électrique sur la prise.

<b>Caractéristiques techniques</b>	
Spécifications électriques :	120 V~, 60 Hz, 12 A
	Fusibles F1, F2 : T3.15A H 250 V
Classifications :	Protection contre les chocs électriques : classe I Protection contre la pénétration (IEC 60529) : IPX0 Mode de fonctionnement : Fonctionnement continu
Dimensions :	<div style="text-align: center;">  </div> <p>18,3 cm (7,2 po) Longueur 11,4 cm (4,5 po) Largeur 11,9 cm (4,7 po) Hauteur</p>



**AVERTISSEMENT**  
N'utilisez que des fusibles spécifiés par Midmark. Le non-respect de cette consigne pourrait entraîner un incendie ou un risque électrique.

<b>Certification et conformité</b>	
<b>Certifications :</b>	ANSI/AAMI ES60601-1:2005 + A1:2012 + A2:2021 CAN/CSA-C22.2 N° 60601-1:14 + A2:22
<b>Conformité :</b>	IEC 60601-1-2:2014+A1:2020 IEC TS 60601-4-2:2024 ISO 9680:2021 ANSI/AAMI/IEC 60601-1-2:2014 + A1:2021

## CEM - Déclaration du fabricant et conseils

Conseils et déclaration du fabricant - émissions électromagnétiques		
L'alimentation électrique Midmark est destinée à être utilisée dans l'environnement électromagnétique spécifié ci-dessous. Le client ou l'utilisateur de l'alimentation électrique Midmark doit s'assurer qu'elle est utilisée dans un tel environnement.		
Essai d'émissions	Conformité	Environnement électromagnétique - conseils
Émissions de radiofréquences (RF) CISPR 11	Groupe 1	L'unité dentaire Midmark n'utilise l'énergie RF que pour ses fonctions internes. Ses émissions RF sont donc très faibles et peu susceptibles de causer des interférences avec les équipements électroniques présents à proximité.
Émissions de radiofréquences (RF) CISPR 11	Classe A	L'unité dentaire Midmark convient à une utilisation dans les zones industrielles et les établissements de santé professionnels. L'unité dentaire Midmark n'est pas destinée à être utilisée dans un environnement résidentiel.
Émissions harmoniques CEI 61000-3-2	S.O	Sans Objet. L'unité dentaire Midmark est de 120 V CA 60 Hz uniquement et ne dépasse pas 220 V CA.
Tension de papillotement / scintillements IEC 61000-3-3	S.O	

Distances de séparation recommandées entre des équipements de communication RF portables et mobiles et l'unité dentaire Midmark			
L'unité dentaire Midmark est conçue pour être utilisée dans un environnement électromagnétique dans lequel les perturbations RF rayonnées sont contrôlées. Le client ou l'utilisateur de l'unité dentaire Midmark peut contribuer à prévenir les interférences électromagnétiques en maintenant une distance minimale entre les équipements de communication RF portables et mobiles (émetteurs) et l'unité dentaire Midmark, conformément aux recommandations ci-après, en fonction de la puissance de sortie maximale de l'équipement de communication.			
Puissance de sortie rayonnée maximale de l'émetteur W	Distance de séparation en fonction de la fréquence de l'émetteur m		
	de 150 kHz à 80 MHz $d = 1,2 \times \sqrt{P}$	de 80 kHz à 800 MHz $d = 1,2 \times \sqrt{P}$	de 800 MHz à 2,5 GHz $d = 2,3 \times \sqrt{P}$
0,01	0,12	0,12	0,23
0,1	0,37	0,37	0,74
1	1,17	1,17	2,34
10	3,69	3,69	7,38
100	11,67	11,67	23,34
<p>Pour les émetteurs dont la puissance de sortie nominale maximale ne figure pas dans le tableau ci-dessus, la distance de séparation recommandée (d) en mètres (m) peut être estimée en utilisant l'équation applicable à la fréquence de l'émetteur, où P est la valeur nominale de la puissance de sortie maximale de l'émetteur en watts (W) selon le fabricant de l'émetteur.</p> <p>REMARQUE 1 : À 80 MHz et 800 MHz, la distance de séparation relative à la gamme de fréquences la plus élevée s'applique.</p> <p>REMARQUE 2 : Il se peut que ces conseils ne s'appliquent pas dans toutes les situations. La propagation électromagnétique est influencée par l'absorption et la réflexion des structures, des objets et des personnes.</p>			

## Conseils et déclaration du fabricant - immunité électromagnétique

L'unité dentaire Midmark est conçue pour être utilisée dans l'environnement électromagnétique spécifié ci-dessous. Le client ou l'utilisateur de l'unité dentaire Midmark doit s'assurer que l'appareil est utilisé dans un tel environnement.

Essai d'immunité	Niveau de conformité	Environnement électromagnétique - conseils
------------------	----------------------	--

Les équipements de communication RF portables et mobiles ne doivent pas être utilisés plus près des parties de l'unité dentaire Midmark, y compris des câbles, que la distance de séparation recommandée calculée à partir de l'équation applicable à la fréquence de l'émetteur.

Distance de séparation recommandée :

RF transmise par conduction IEC 61000-4-6 (2013)	3 V	$d = 1,2 \times \sqrt{P}$
RF rayonnée IEC 61000-4-3 (2010)	3 V/m	$d = 1,2 \times \sqrt{P}$ de 80 MHz à 800 MHz $d = 2,3 \times \sqrt{P}$ de 800 MHz à 2,5 GHz

Où P est la puissance de sortie nominale maximale de l'émetteur en watts (W) selon le fabricant de l'émetteur, et d est la distance de séparation recommandée en mètres (m).

Intensité de champ des émetteurs RF fixes, telle que déterminée par l'étude électromagnétique sur site. a) Doit être inférieure au niveau de conformité dans chaque gamme de fréquences. b) Des interférences peuvent se produire à proximité de l'équipement marqué du symbole suivant :



**REMARQUE 1 :** À 80 MHz et 800 MHz, la gamme de fréquences la plus élevée s'applique.

**REMARQUE 2 :** Il se peut que ces conseils ne s'appliquent pas dans toutes les situations. La propagation électromagnétique est influencée par l'absorption et la réflexion des structures, des objets et des personnes.

<sup>a</sup> Les intensités de champ des émetteurs fixes, tels que les stations de base pour les radiotéléphones (cellulaires/sans fil) et les radios mobiles terrestres, les radioamateurs, la radiodiffusion AM et FM et la télédiffusion, ne peuvent pas être théoriquement déterminées avec précision. Pour évaluer l'environnement électromagnétique dû aux émetteurs RF fixes, il convient de réaliser une étude électromagnétique sur site. Si l'intensité de champ mesurée à l'endroit où l'unité dentaire Midmark est utilisée dépasse le niveau de conformité RF applicable susmentionné, il convient d'observer l'unité dentaire Midmark afin d'en vérifier le fonctionnement normal. Si un fonctionnement anormal est observé, il pourrait être nécessaire de prendre des mesures supplémentaires, comme la réorientation ou le déplacement de l'unité dentaire Midmark.

<sup>b</sup> Dans la gamme de fréquences 150 kHz à 80 MHz, les intensités de champ doivent être inférieures à 3 V/m.

### Conseils et déclaration du fabricant - immunité électromagnétique

L'unité dentaire Midmark est conçue pour être utilisée dans l'environnement électromagnétique spécifié ci-dessous. Le client ou l'utilisateur de l'unité dentaire Midmark doit s'assurer que l'appareil est utilisé dans un tel environnement.

Essai d'immunité	Niveau de conformité	Environnement électromagnétique - conseils
Décharge électrostatique (DES) IEC 61000-4-2 (2008)	± 8 kV contact ± 2 kV, ± 4 kV, ± 8 kV, ± 15 kV Air	Les sols doivent être en bois, en béton ou en carreaux de céramique. Si les sols sont revêtus de matériaux synthétiques, l'humidité relative doit être d'au moins 30 %.
Champs de proximité des équipements de communication sans fil RF IEC61000-4-3 (2010)	3 V/m (80 MHz - 2,7 GHz) 80 % AM à 1 kHz	
Coupe/sursaut électrique rapide IEC 61000-4-4 (2012)	± 2 kV à 100 kHz Rép. (Secteur CA) ± 1 kV à 100 kHz Rép. (Ports E/S)	La qualité du réseau d'alimentation doit être celle d'un environnement commercial ou hospitalier classique.
Sur-tension IEC 61000-4-5 (2017)	± 0,5 kV, ± 1 kV L-L ± 0,5 kV, ± 1 kV et ± 2 kV L-PE	La qualité du réseau d'alimentation doit être celle d'un environnement commercial ou hospitalier classique.
RF transmise par conduction IEC61000-4-6 (2013)	3 V m) 0,15 MHz à 80 MHz 6 V dans les bandes ISM et radio amateur entre 0,15 MHz et 80 MHz 80 % AM à 1 kHz	
Champ magnétique de fréquence électrique (50/60 Hz) IEC 61000-4-8 (2009)	30 A/m, 60 Hz	Les champs magnétiques de fréquence électrique doivent correspondre aux niveaux normaux d'un endroit situé dans un environnement commercial ou hospitalier classique.
Creux de tension, brèves interruptions et variations de tension sur les lignes d'entrée d'alimentation électrique IEC 61000-4-11 (2017)	0 % UT pendant 0,5 cycle À 0°, 45°, 90°, 135°, 180°, 225°, 270° et 315°. 0 % UT pendant 1 cycle 70 % UT pendant 25/30 cycles 0 % UT pendant 250/300 cycles	La qualité du réseau d'alimentation doit être celle d'un environnement commercial ou hospitalier classique. Si l'utilisateur de l'unité dentaire Midmark exige un fonctionnement permanent de l'appareil pendant les interruptions sur le réseau d'alimentation électrique, il est recommandé d'alimenter l'unité dentaire Midmark avec une source d'alimentation sans interruption ou une batterie.

REMARQUE : UT est la tension du réseau à courant alternatif avant l'application du niveau d'essai.

## Renseignements sur la garantie

Scannez le code QR suivant pour accéder à la garantie du fauteuil dentaire.



## Enregistrement de garantie

Scannez le code QR suivant pour accéder à l'enregistrement de garantie du fauteuil dentaire.

