

Applies to Models:
 CH-1000
 LT-1100-001
 DS-1100-001
 DS-1200-001
 ADS-1100-001

Junction Box
 Utilities Elevation2
 Utilities Location3

12 O'clock Utilities Location
 Utilities Location Top4
 Utilities Location Front.....5

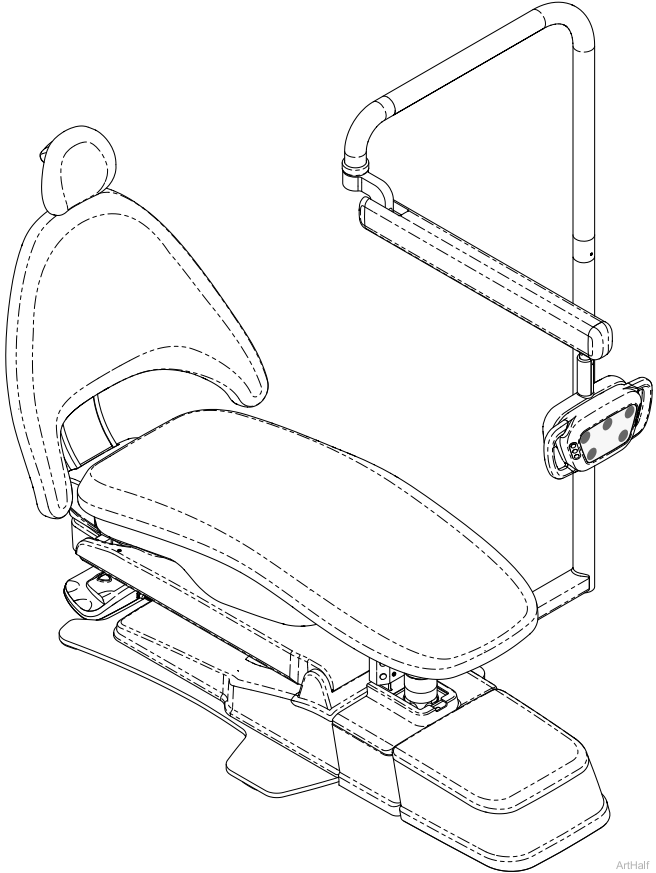
Chair
 Back Down Range of Motion and Dimensions6
 Back UP Range of Motion and Dimensions7

Light
 Left-Right Chair Mounted Range of Motion and Dimensions8

Doctor's Delivery Systems
 Left-Right Chair-Mounted Doctor's Delivery Range of Motion and Dimensions9
 12 O'clock Column-Mounted Doctor's Delivery Range of Motion and Dimensions10
 12 O'clock Cabinet-Mounted Doctor's Delivery Range of Motion and Dimensions11

Assistant's Delivery Systems
 Left-Right Chair-Mounted Assistant's Delivery Range of Motion and Dimensions12
 Cabinet-Mounted Assistant's Delivery Range of Motion and Dimensions13

Work Surface
 Cabinet-Mounted Range of Motion and Dimensions14



ArtHalf

Junction Box Utilities Elevation

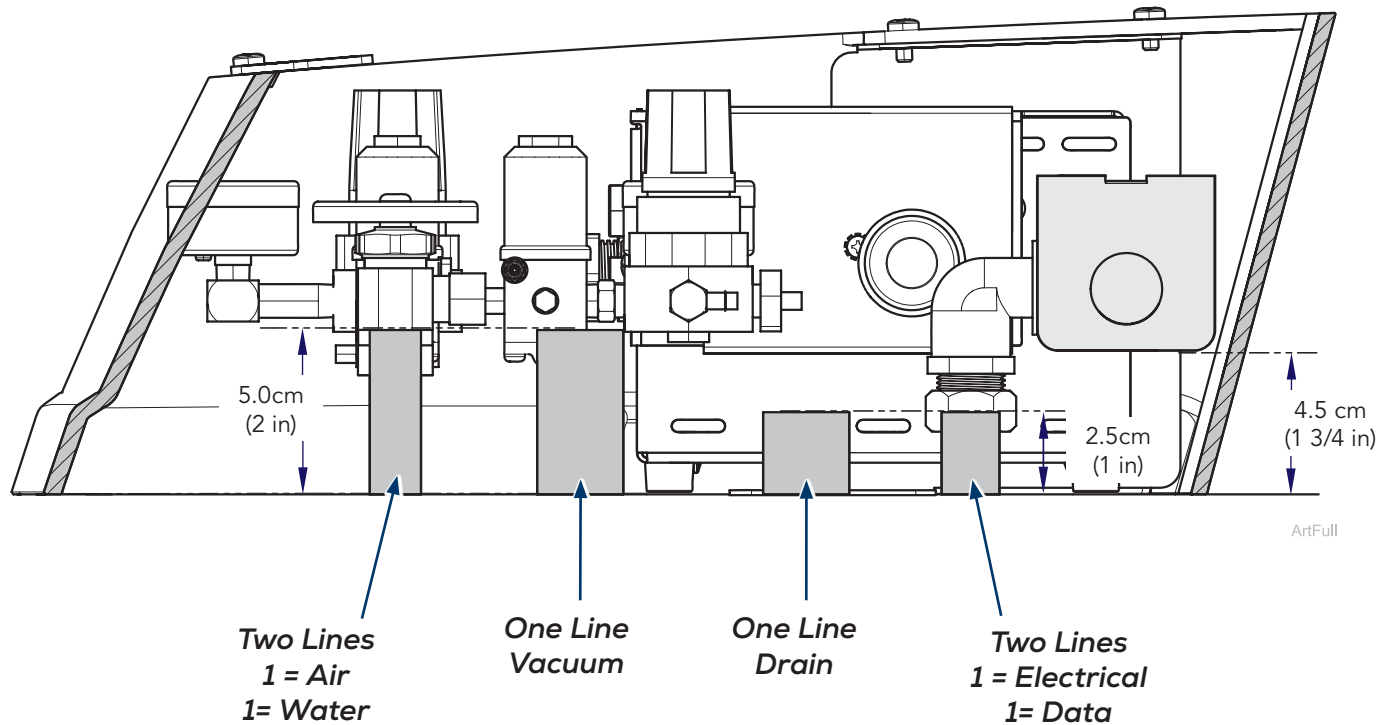
Note

The dimensional drawings in this section are not to scale and are provided for reference only.



Equipment Alert

Plumbing elevation restrictions may impact the height and placement of utilities in the floor box, affecting the use of the floor box cover. Insufficient space will prevent proper installation and removal of the cover.



Junction Box Utilities Location

Electrical Requirements

1.3 cm (1/2 in) conduit box with dual or equal receptacle.
Wire box per local codes and regulations. Top of box must be no higher than 11.4 cm (4 1/2 in) above finished surface of floor.

Data Requirements (optional)

Conduit as needed protruding 2.5 cm (1 in) above finished surface of floor.

Drain Requirements

Not less than 3.8 cm (1 1/2 in) I.D. pipe from down pipe to trap, decreasing to 1.9 cm (3/4 in) pipe from trap to connection box. Terminate with 1.9 cm (3/4 in) NPT protruding 2.5 cm (1 in) above finished surface of floor. Install adapter for 1.6 cm (5/8 in) drain tubing. Place trap in line and vent to conform with local codes. (All hardware supplied by contractor).

Vacuum Requirements (optional)

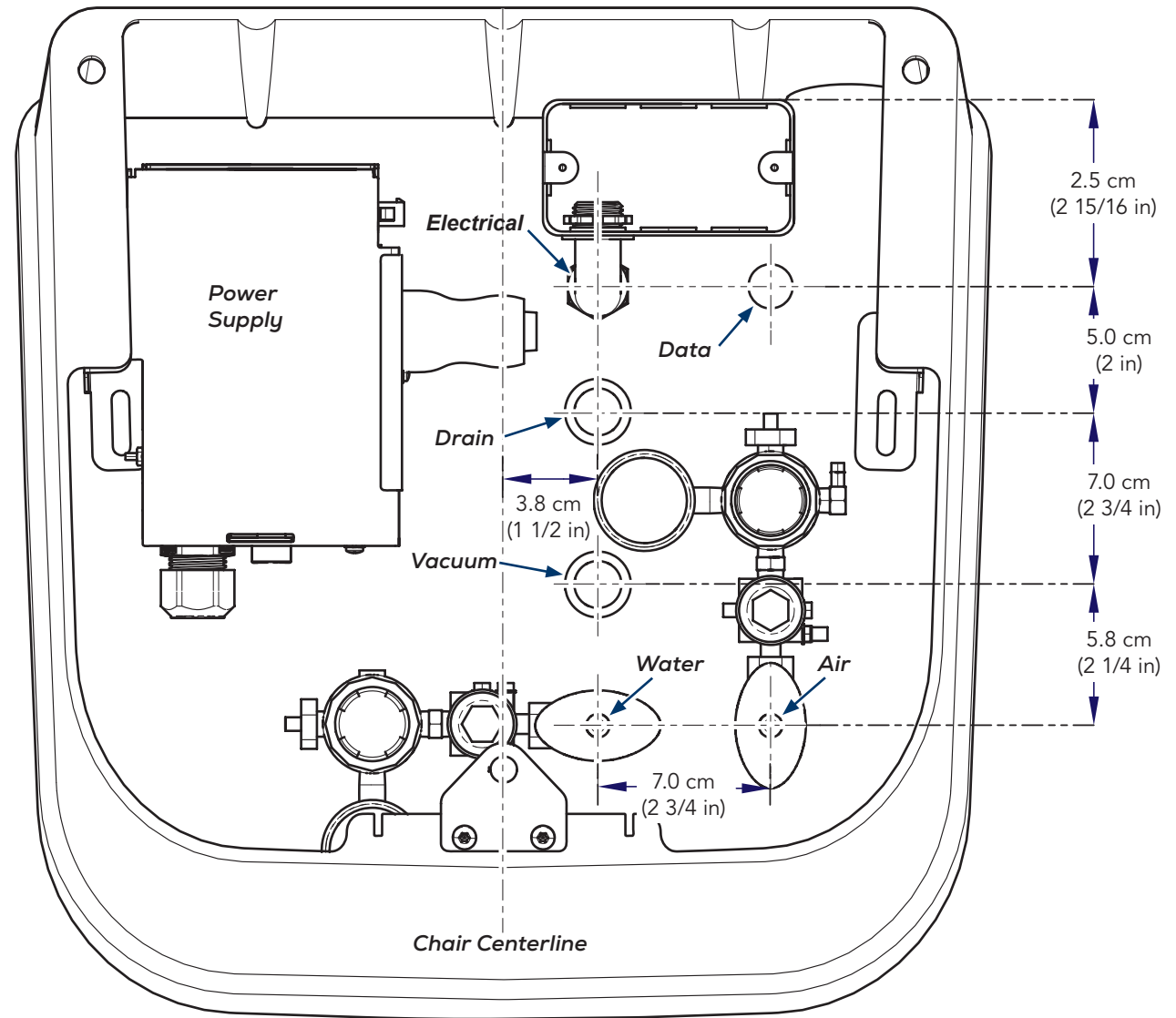
Plumbing to junction box should be specified by central vacuum supplier and terminated in junction box with 1.9 cm (3/4 in) O.D. tube protruding 2.5 cm (1 in) above finished surface of floor.

Air Supply Requirements

1.3 cm (1/2 in) pipe (supplied by contractor) protruding 5.0 cm (2 in) from finished surface of floor. Manual shut-off valve to be installed by contractor. Air pressure must be 80-100 (max.) PSI at the shut-off valve. Flush air plumbing clean before making final connections to dental equipment. Air supply to be filtered, dry and oil-free per NPFA 99 requirements or equivalent local codes.

Water Supply Requirements (optional)

1.3 cm (1/2 in) pipe (supplied by contractor) protruding 5.0 cm (2 in) above finished surface of floor. Manual shut-off valve to be installed by contractor. Water pressure must be 40-60 (max.) PSI at the shut-off valve. Flush water plumbing clean before making final connections to dental equipment. The municipal water supply must meet local drinking water codes and have a water hardness level < 10 ppm (parts per million) - total dissolved solids (TDS). For municipal water with a quality level of ≥ 10 ppm, a water softener can be used to reduce mineral buildup. Ensure that the water's pH level complies with local regulations.



Note

Treatment with a water softener will not alter the level of TDS. Even though minerals will have been removed from the water, reaching acceptable readings through use of a handheld TDS meter may prove challenging.

12 O'clock Utilities Location (Top View)

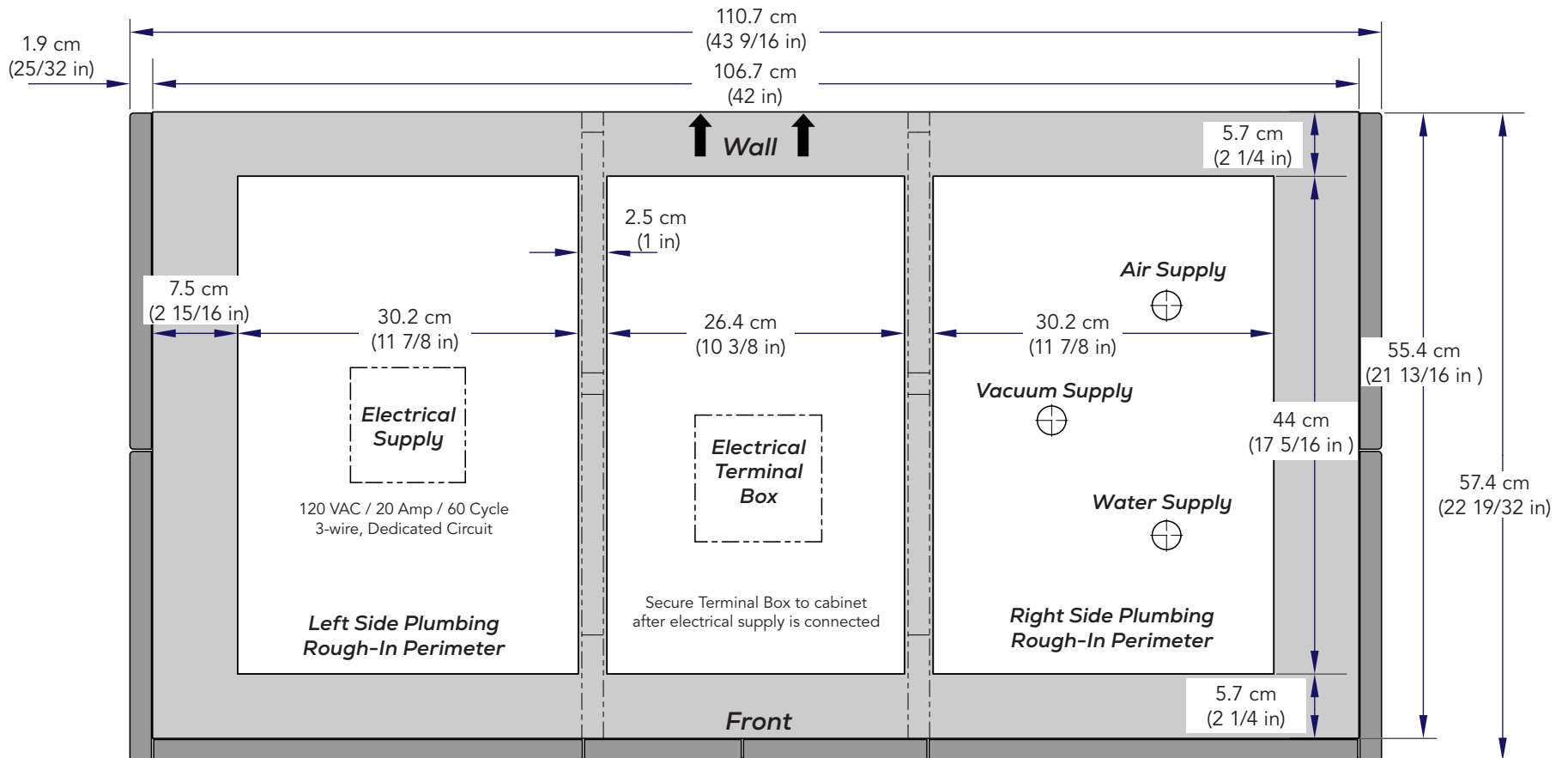
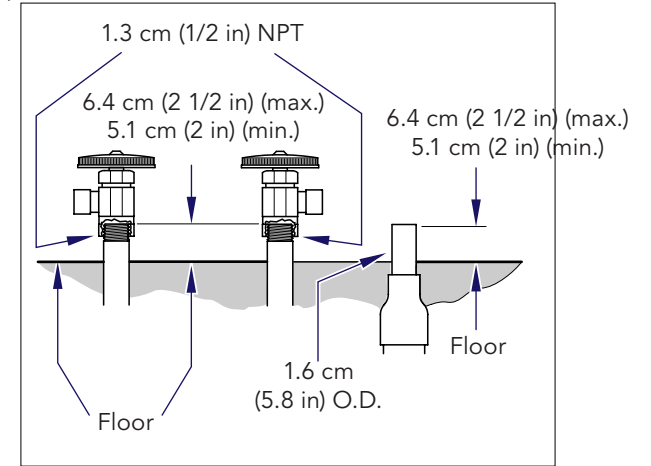
Floor Layout (as applicable)

Have licensed electrical and plumbing contractors position and install electrical outlet receptacles and related plumbing using the pre-installation template or layout.

Note: Be sure floor construction is sufficient to adequately support/anchor the casework unit. If necessary, contact a licensed contractor to reinforce the floor.

Note

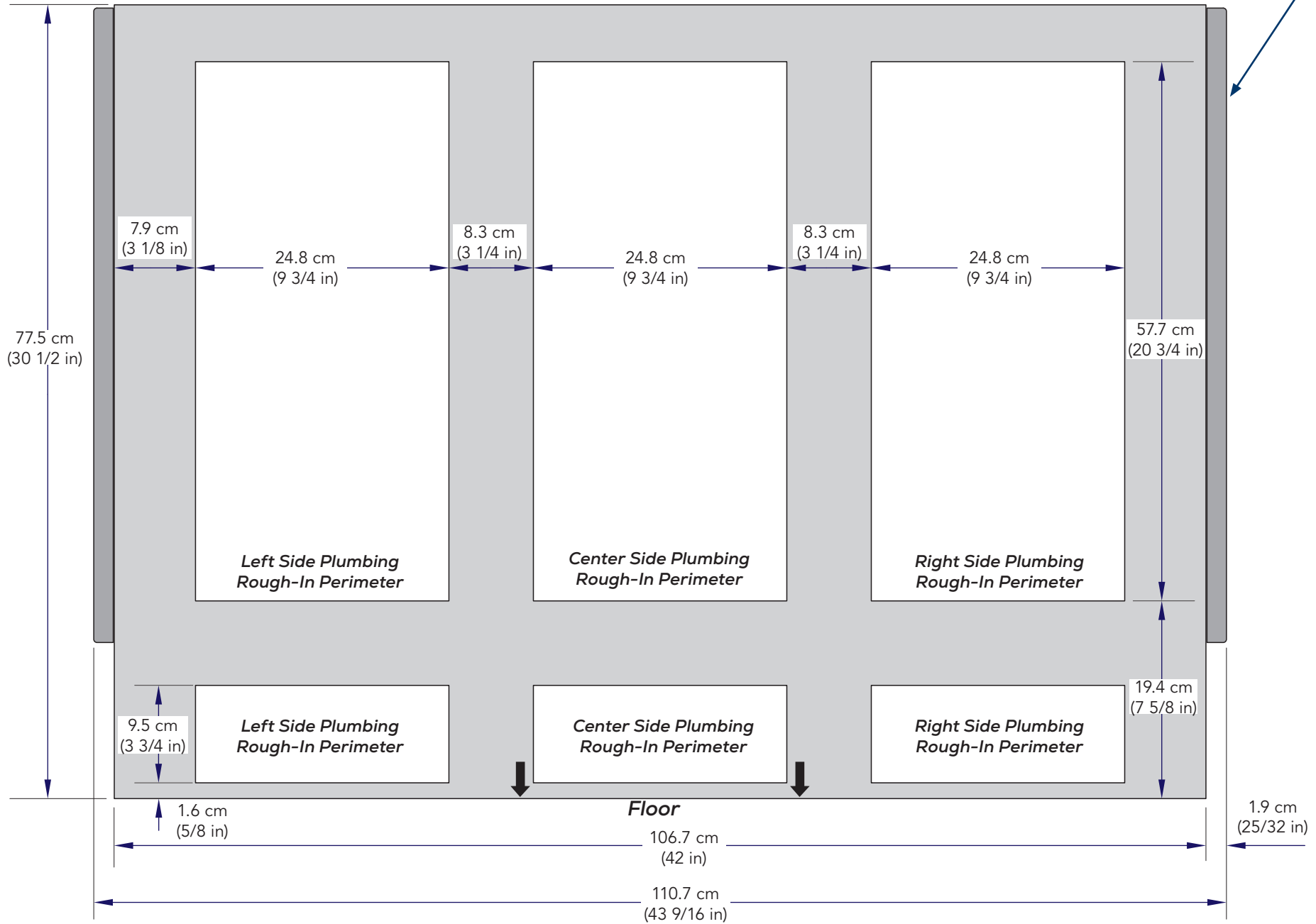
Full size Floor Template and Wall Template are available upon request, or refer to rough-in dimensions on next page.



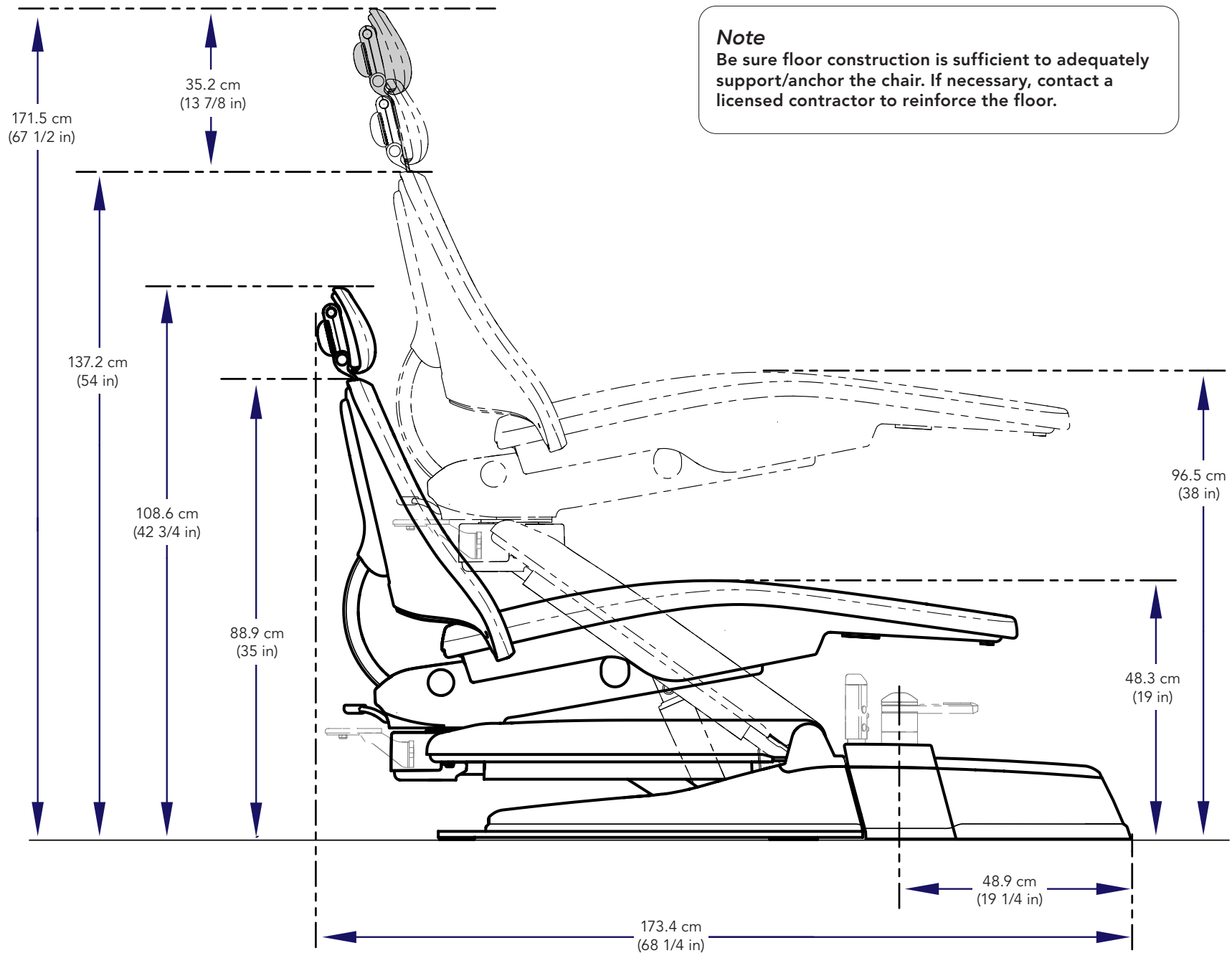
DA4956i

12 O'clock Utilities Location (Front View)

Note
 These panels are present only if side storage is selected.



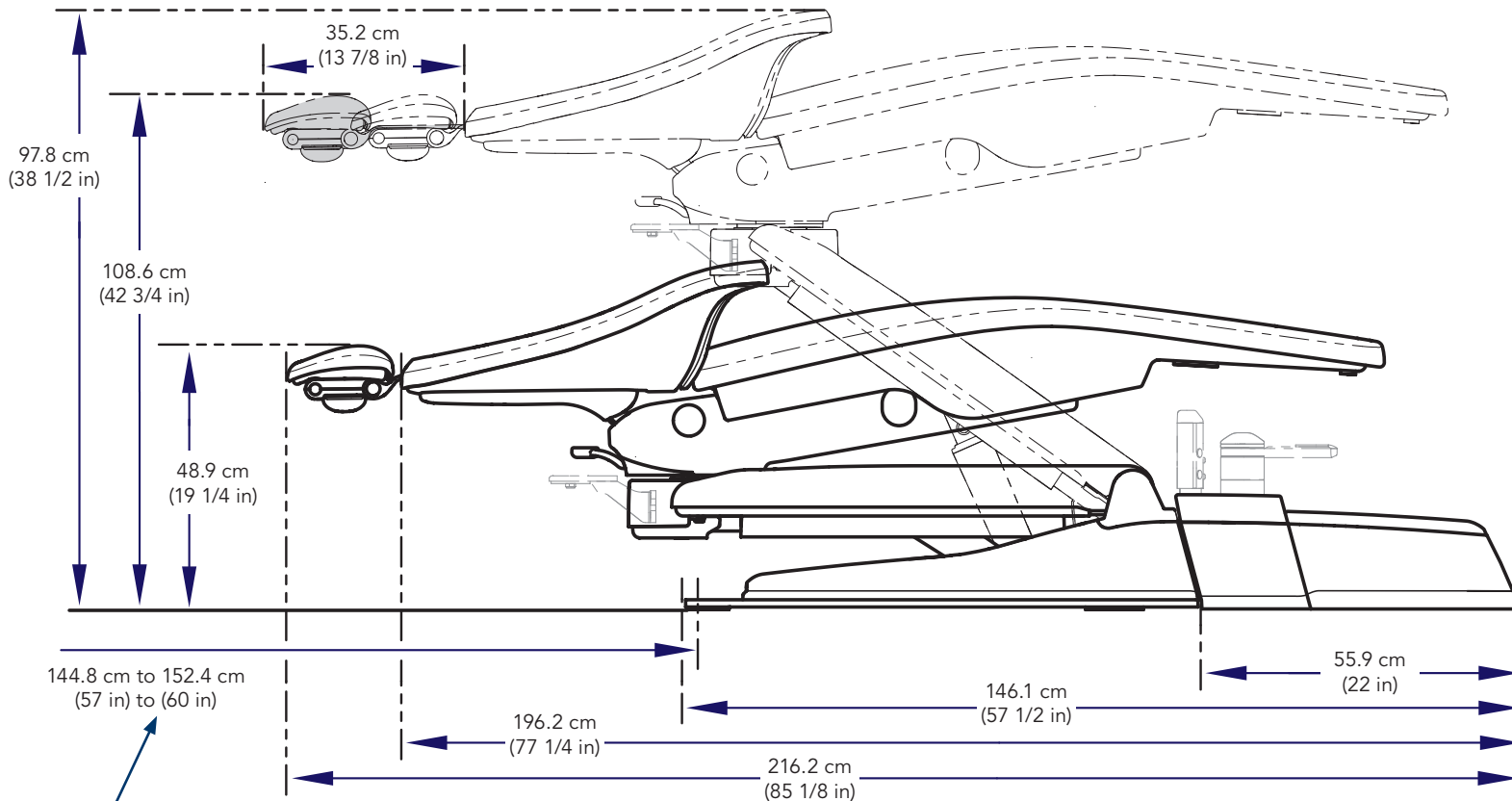
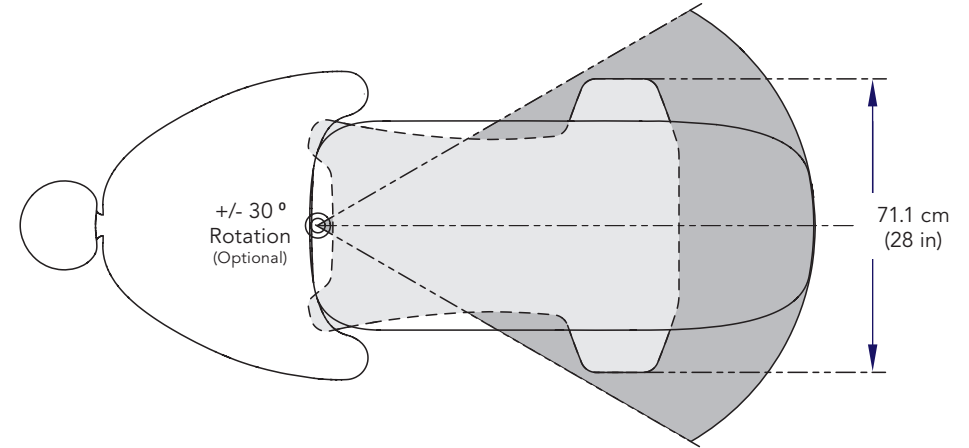
Chair (Back Up)



Chair (Back Down)

Note

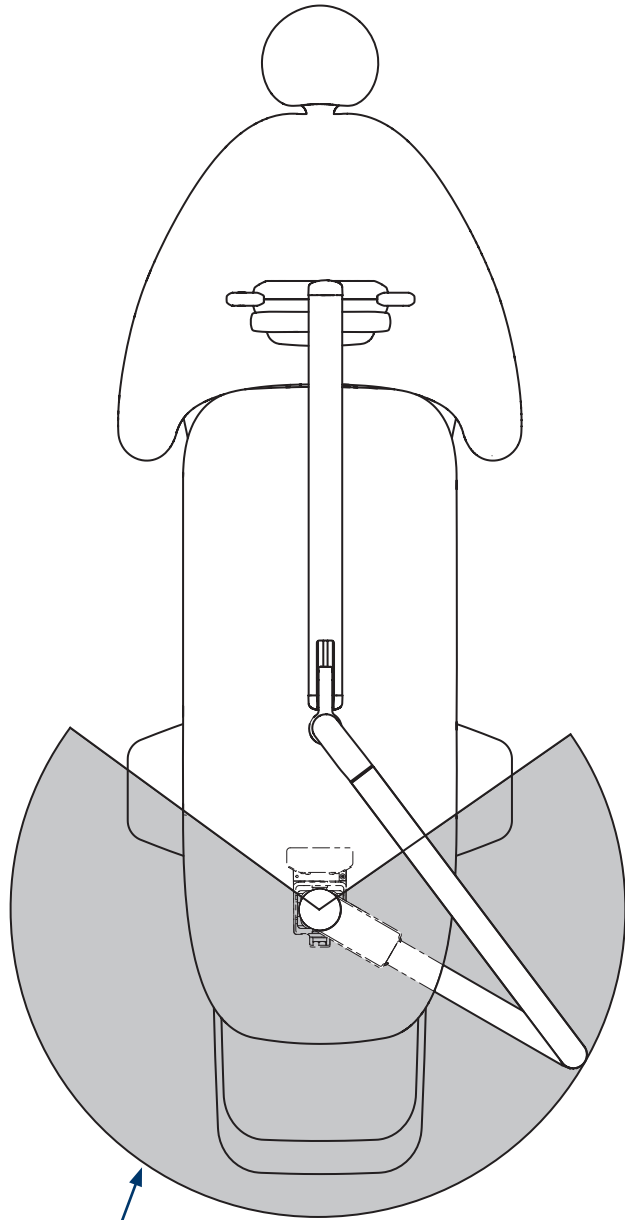
Be sure floor construction is sufficient to adequately support/anchor the chair. If necessary, contact a licensed contractor to reinforce the floor.



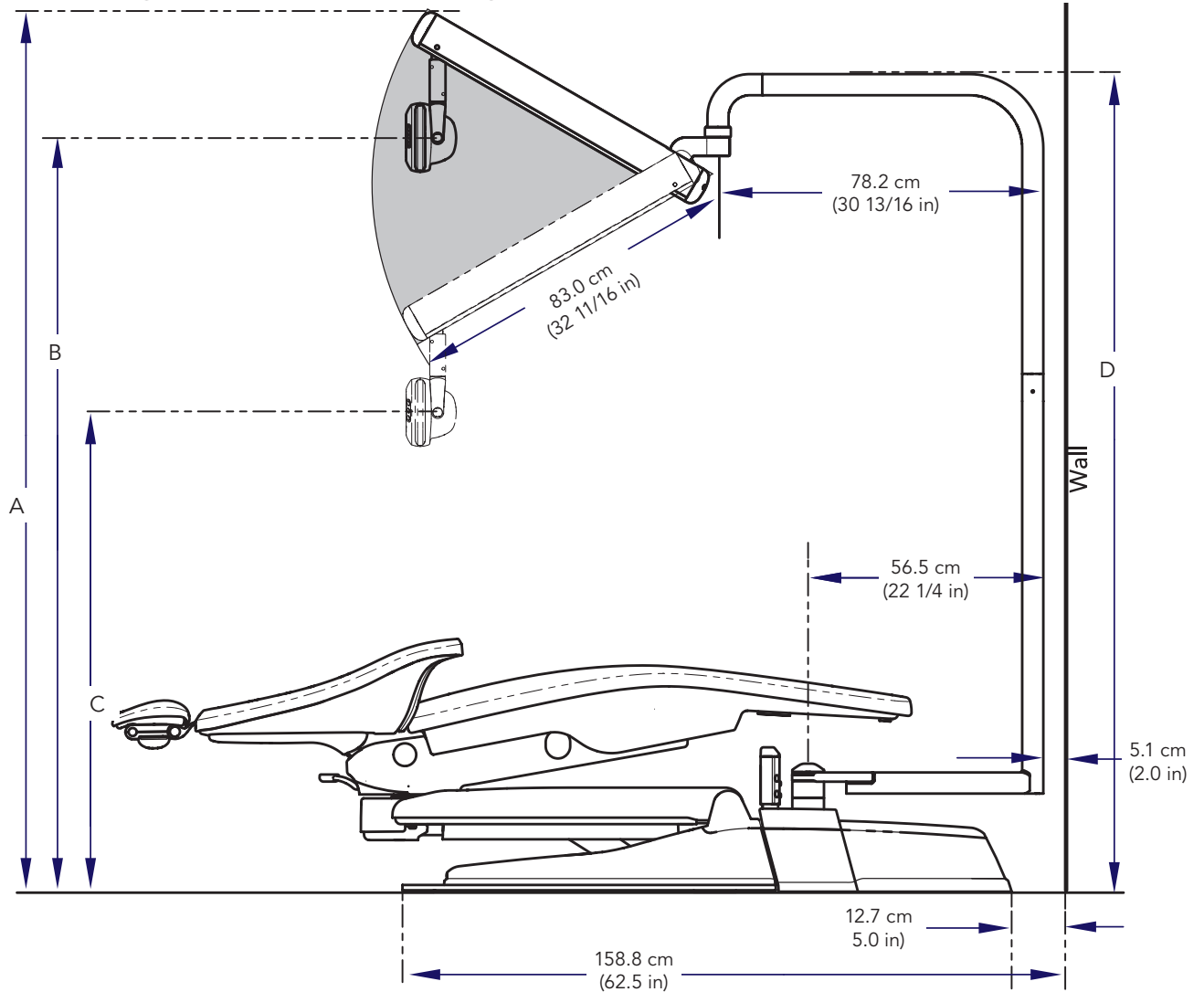
Note

For optimal functionality it is recommended to allow 144.8 cm (57 in) to 152.4 cm (60 in) of clearance from the center rear of the chair base to a 12 O'clock cabinet (if equipped).

Left-Right Chair Mounted Light



56.5 cm Radius
(22 1/4 in)

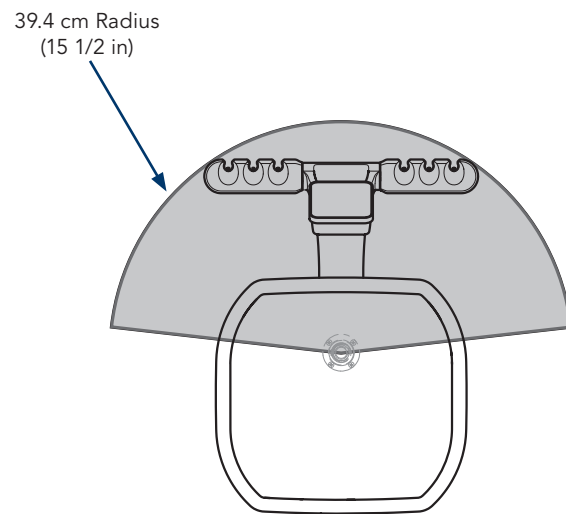
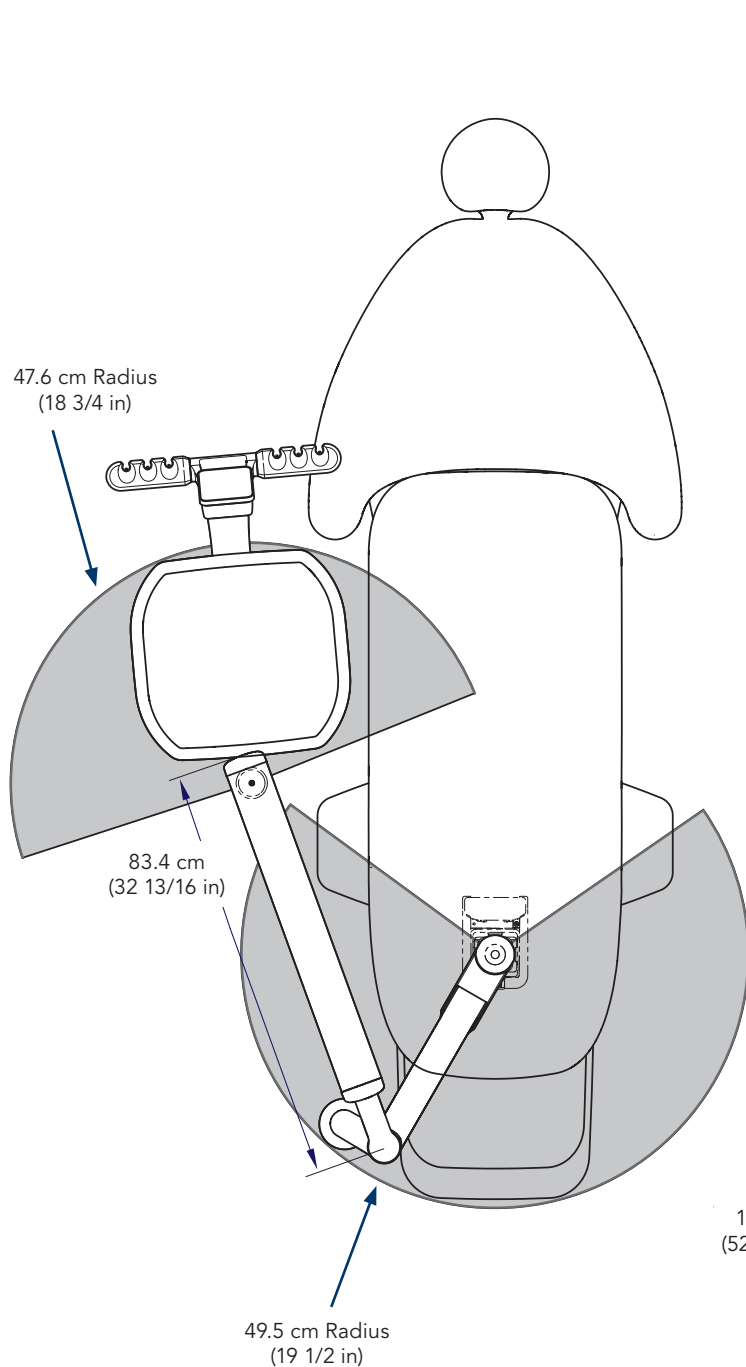


<i>Left - Right Light Dimensions</i>		
<i>Reference</i>	<i>Light Only</i>	<i>Light with Delivery Unit</i>
A	211.6 cm (83 5/16 in)	207.6 cm (81 3/4 in)
B	179.8 cm (70 13/16 in)	175.7 cm (69 3/16 in)
C	113 cm (44 1/2 in)	108.9 cm (42 7/8 in)
D	196.8 cm (77 1/2 in)	192.7 cm (75 7/8 in)

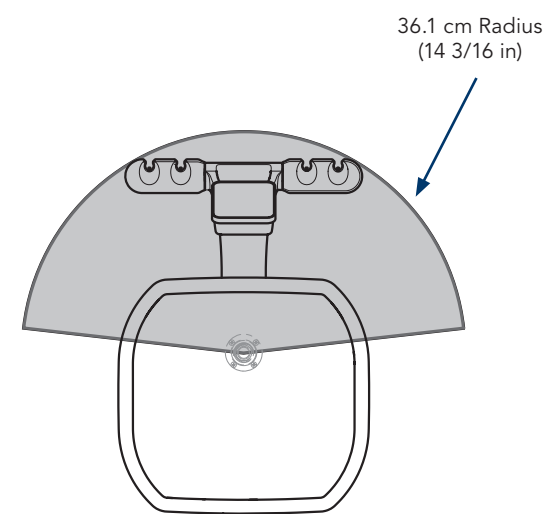
Note

It is recommended to position the light arm 5.1 cm (2 in) away from the wall.

Left-Right Chair Mounted Doctors Delivery System

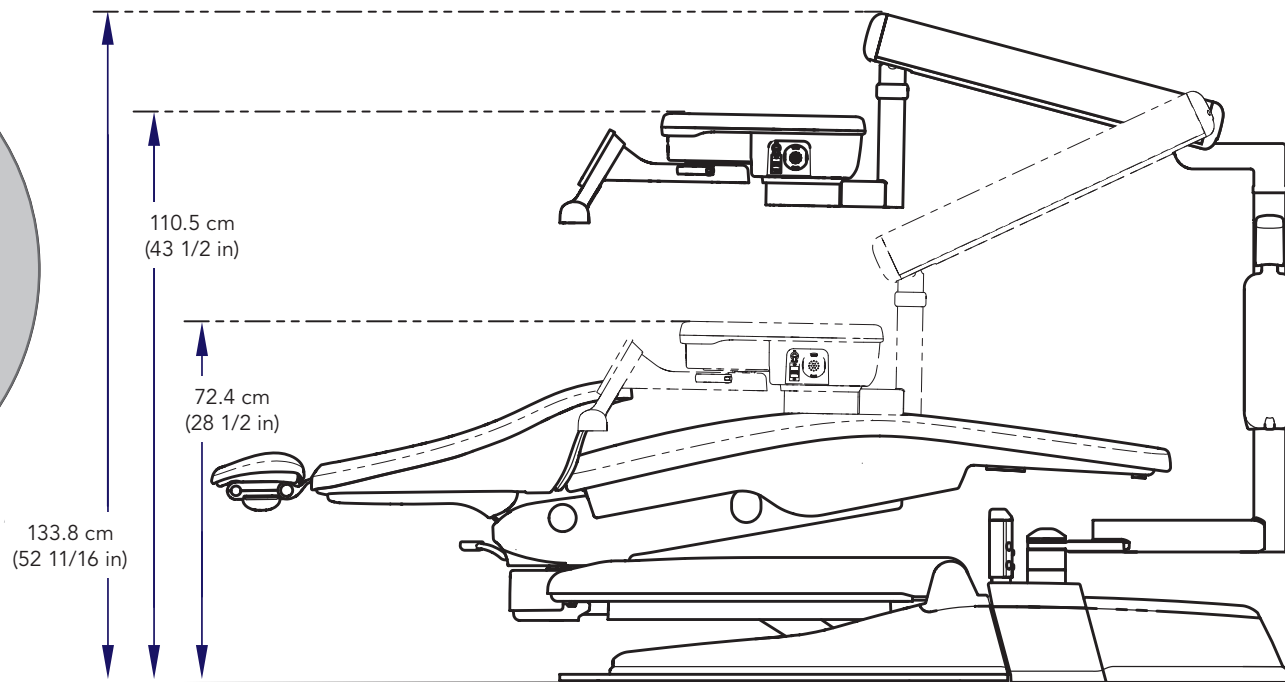


6 Position Holder

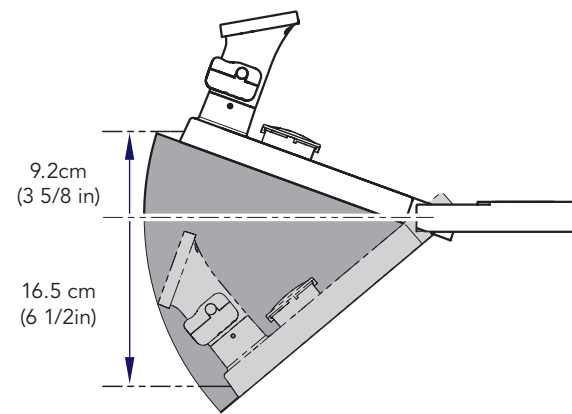
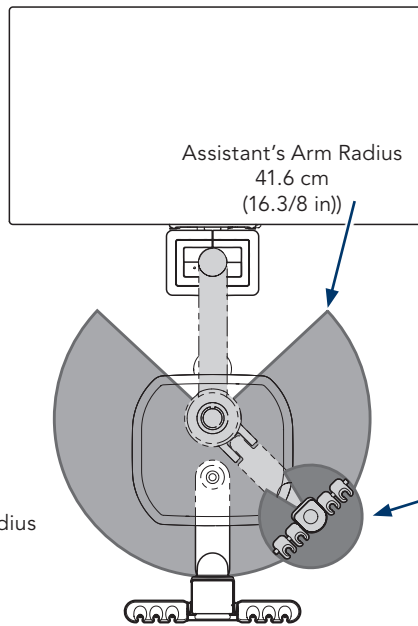
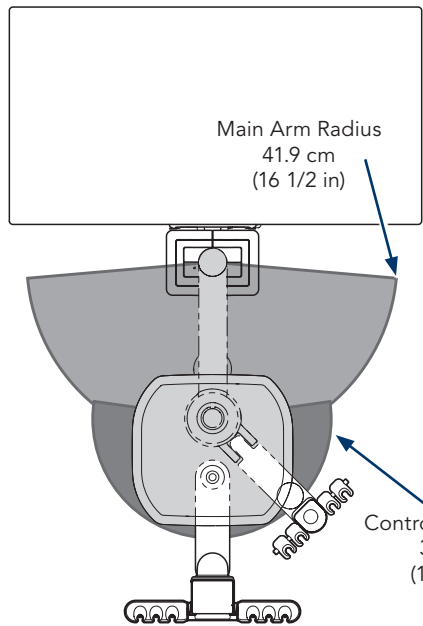


4 Position Holder

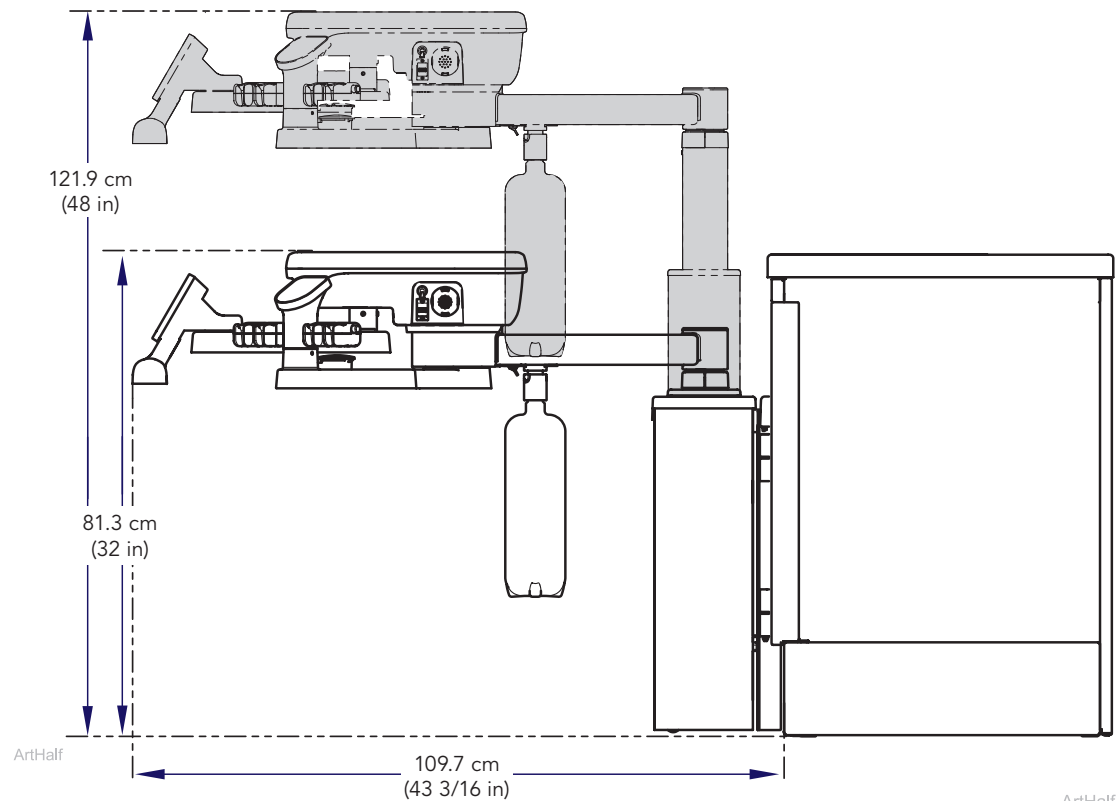
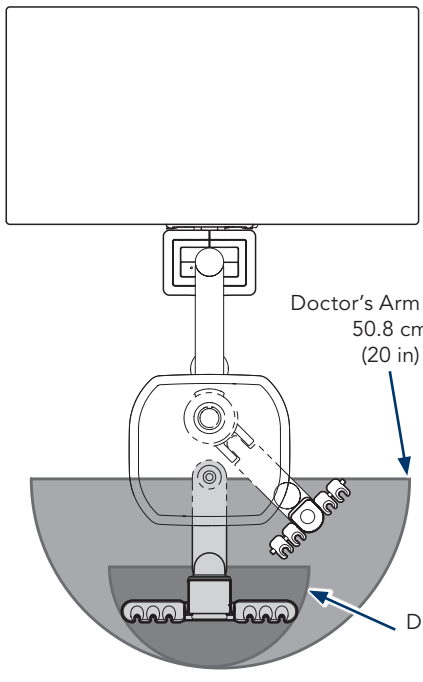
ArtHalf



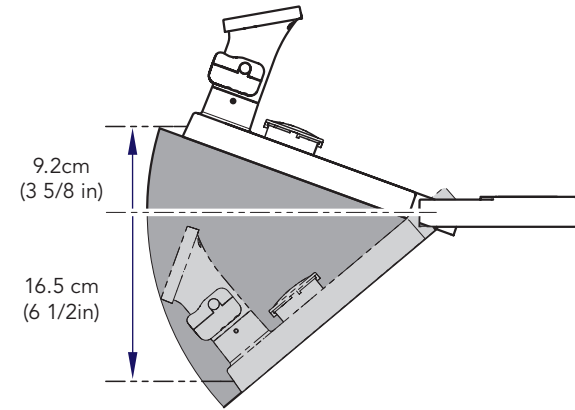
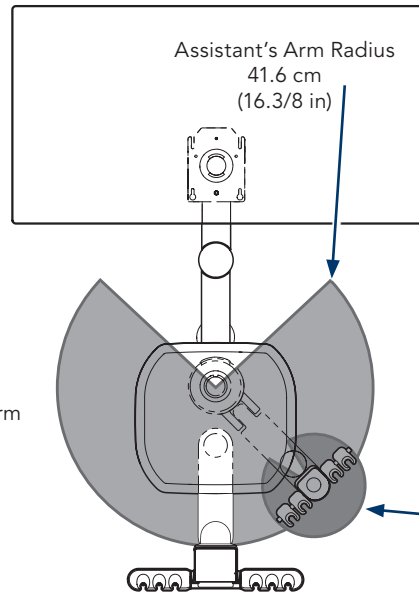
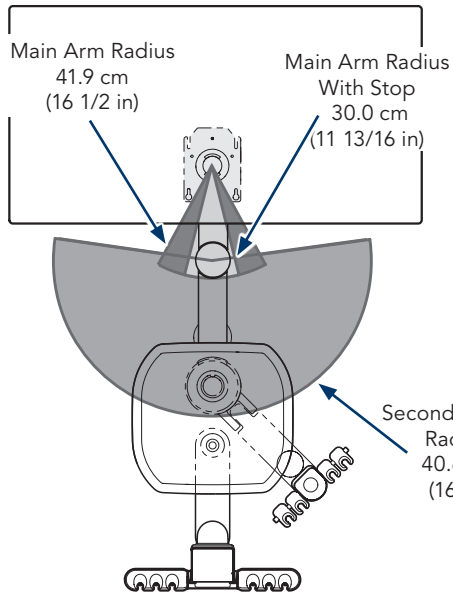
12 O'clock Column-Mounted Doctor's Delivery System



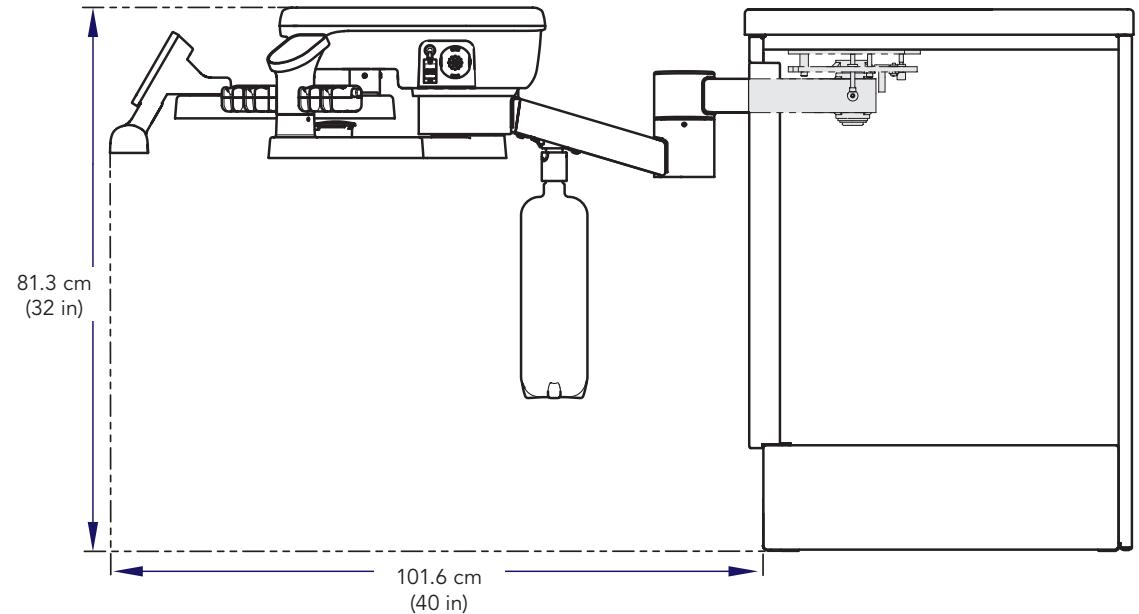
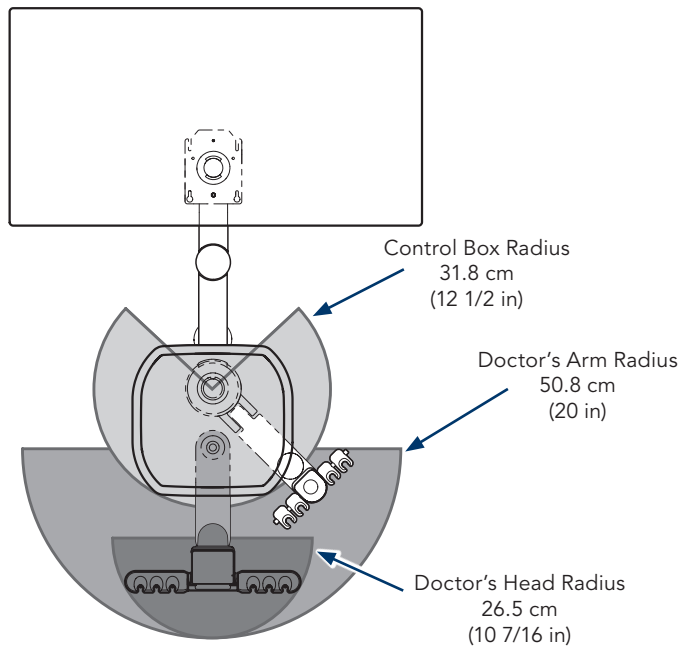
ArtQuarter



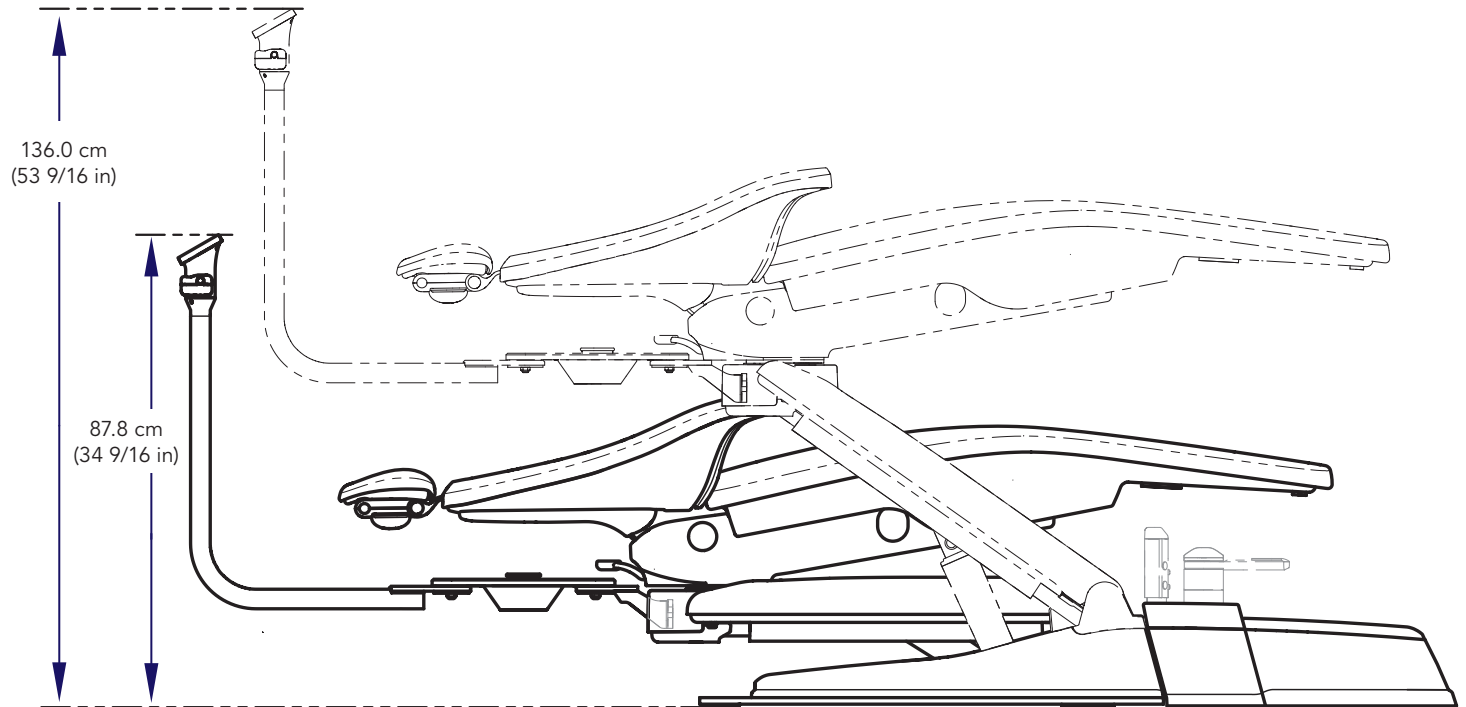
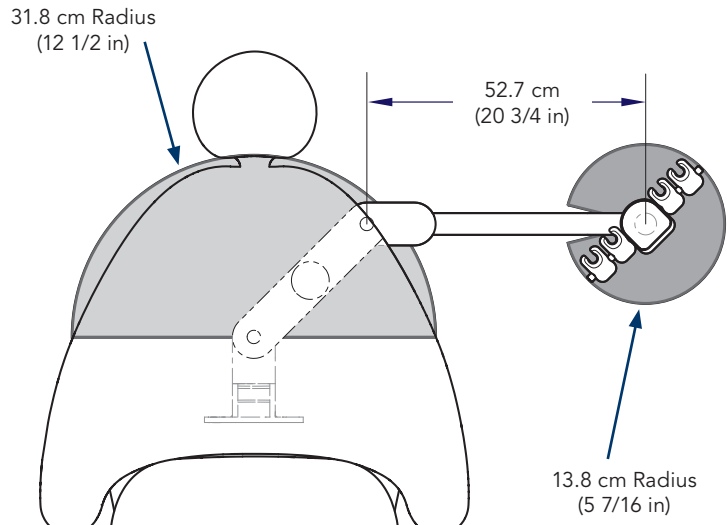
12 O'clock Cabinet-Mounted Doctor's Delivery System



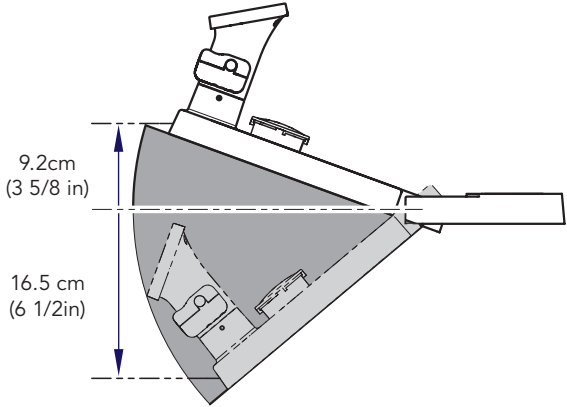
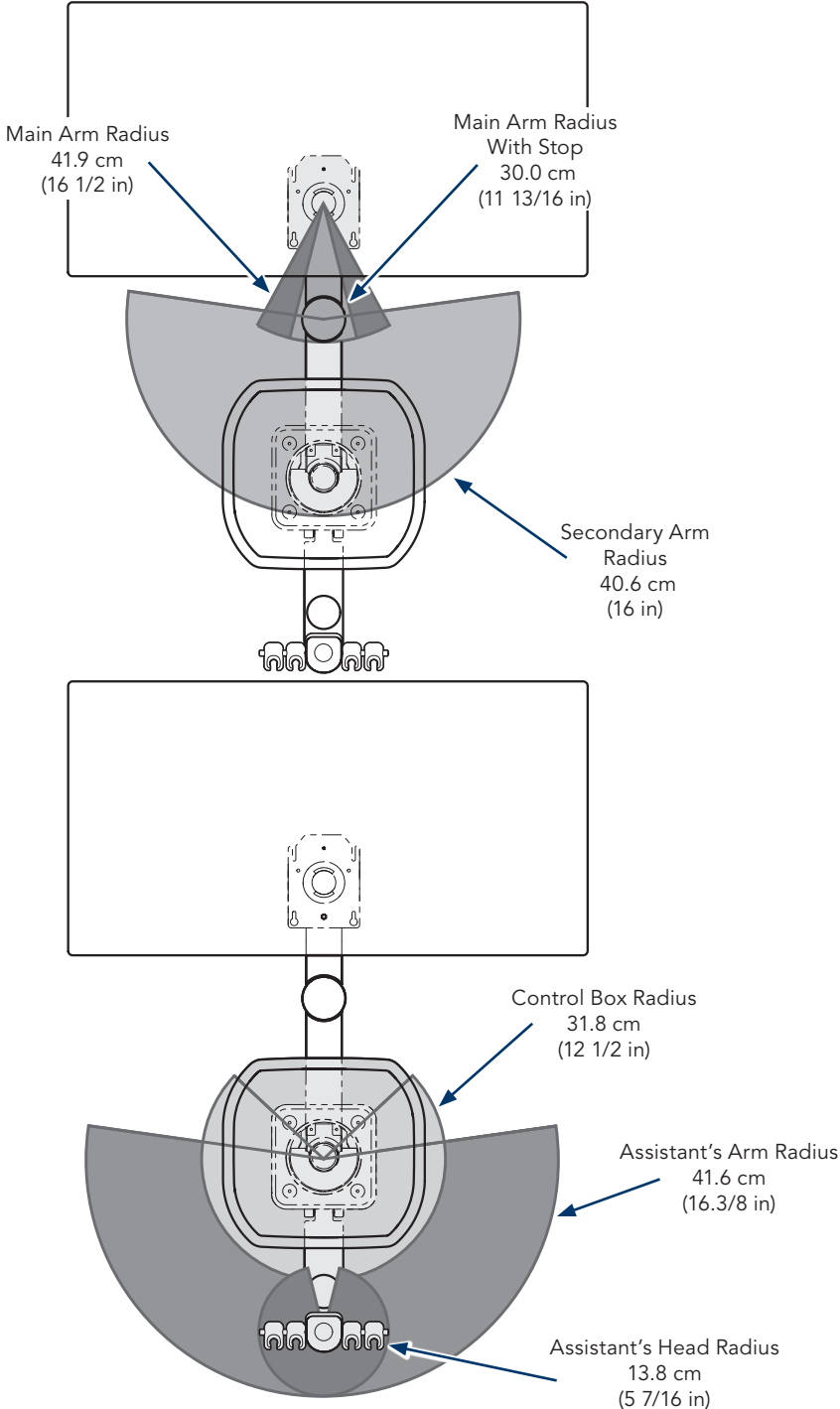
ArtQuarter



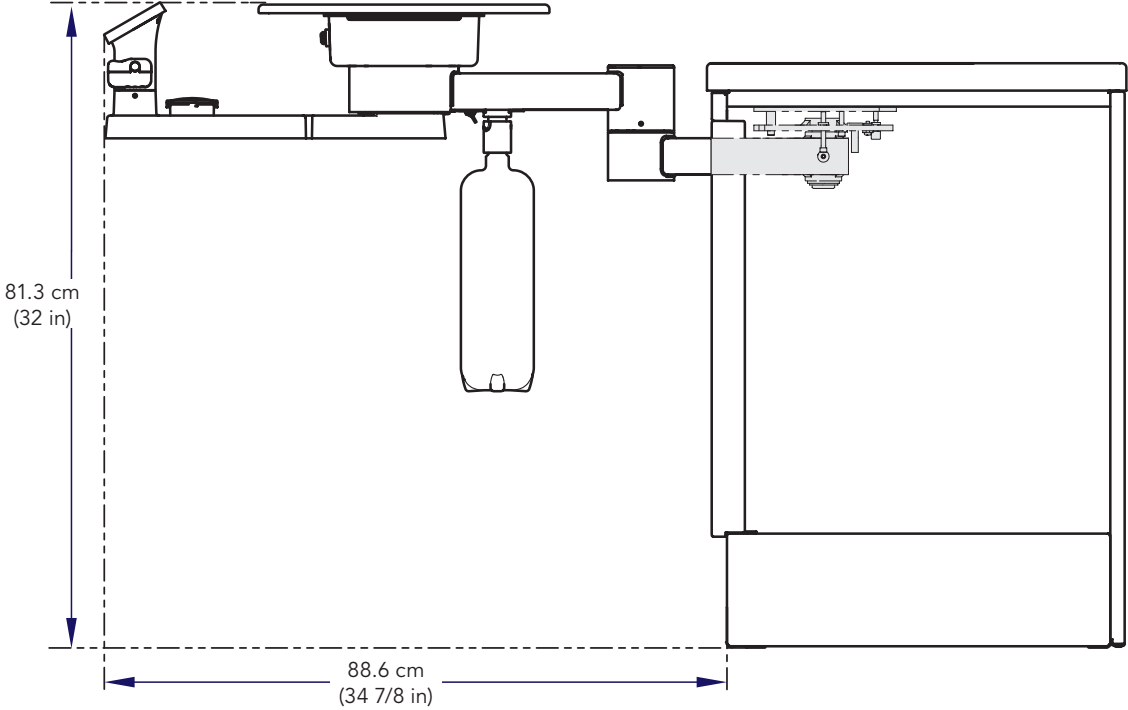
Chair Mounted Assistant's Delivery System



Cabinet-Mounted Assistant's Delivery System



ArtQuarter



Cabinet-Mounted Work Surface

