



WARNING

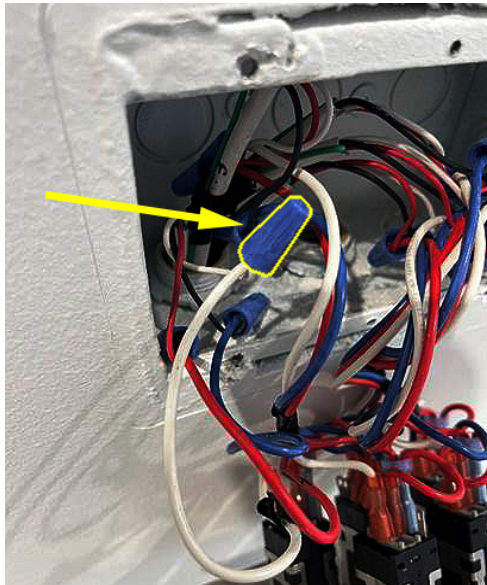
To prevent electric shock always ensure power is off to the Master Control Panel.

Step 1:

Using Phillips Head Screwdriver, unscrew all 4 panel fasteners and remove panel from the wall.

Step 2:

Disconnect white wire by unscrewing wire nut pictured below.

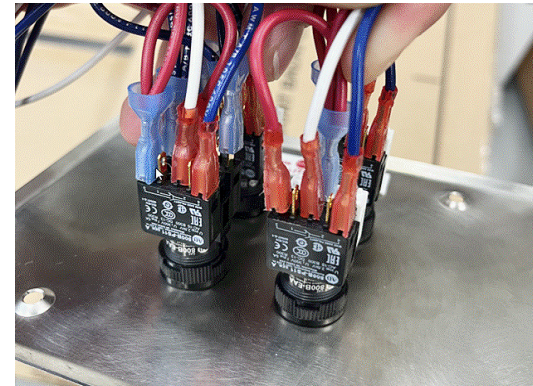
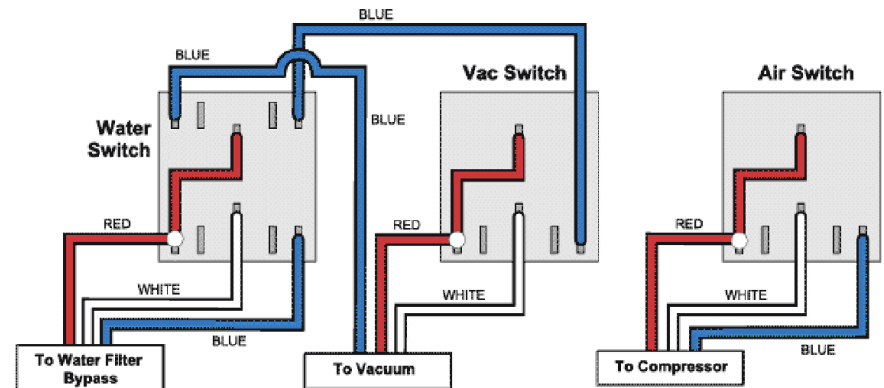


Step 3:

Remove white wire from the switch terminal.

Step 4: Replace Old Wire with New Harness.

A) Push the wire onto switch terminal according to the diagram below.
B) Use wire nut to reconnect the new harness to white wire coming from wall.



Step 5:

Reinstall using existing four panel screws.

Step 6: Replace Old Bulb.

- A) Ensure power to the Master Control Panel is off.
- B) Remove push button covers using the recessed tabs at top and bottom of the cover. Flathead screwdriver or needle-nose pliers may be required.
- C) Remove the old LED bulb from the switch housing with the needle-nose pliers.



Step 7:

Install the new bulb by gently pushing the bulb in with finger.



DO NOT use pliers as it may damage the bulb.



Step 8:

Reinstall button cover making sure the words (Air, Vac, or Water) are upright.

Step 9:

Turn the power back on.

Step 10: Ensure the functionality of the switch by fully engaging and disengaging the Button.

- A) The button should stay recessed when it is fully engaged and in the "ON" position. There will also be an audible "click" heard.
- B) Verify the corresponding system (Air/Vac/Water) turns on after engaging the button.
- C) Verify the LED bulb illuminates after engaging the button.

Step 11:

Repeat steps 1-10 above for each switch on the Control Panel.