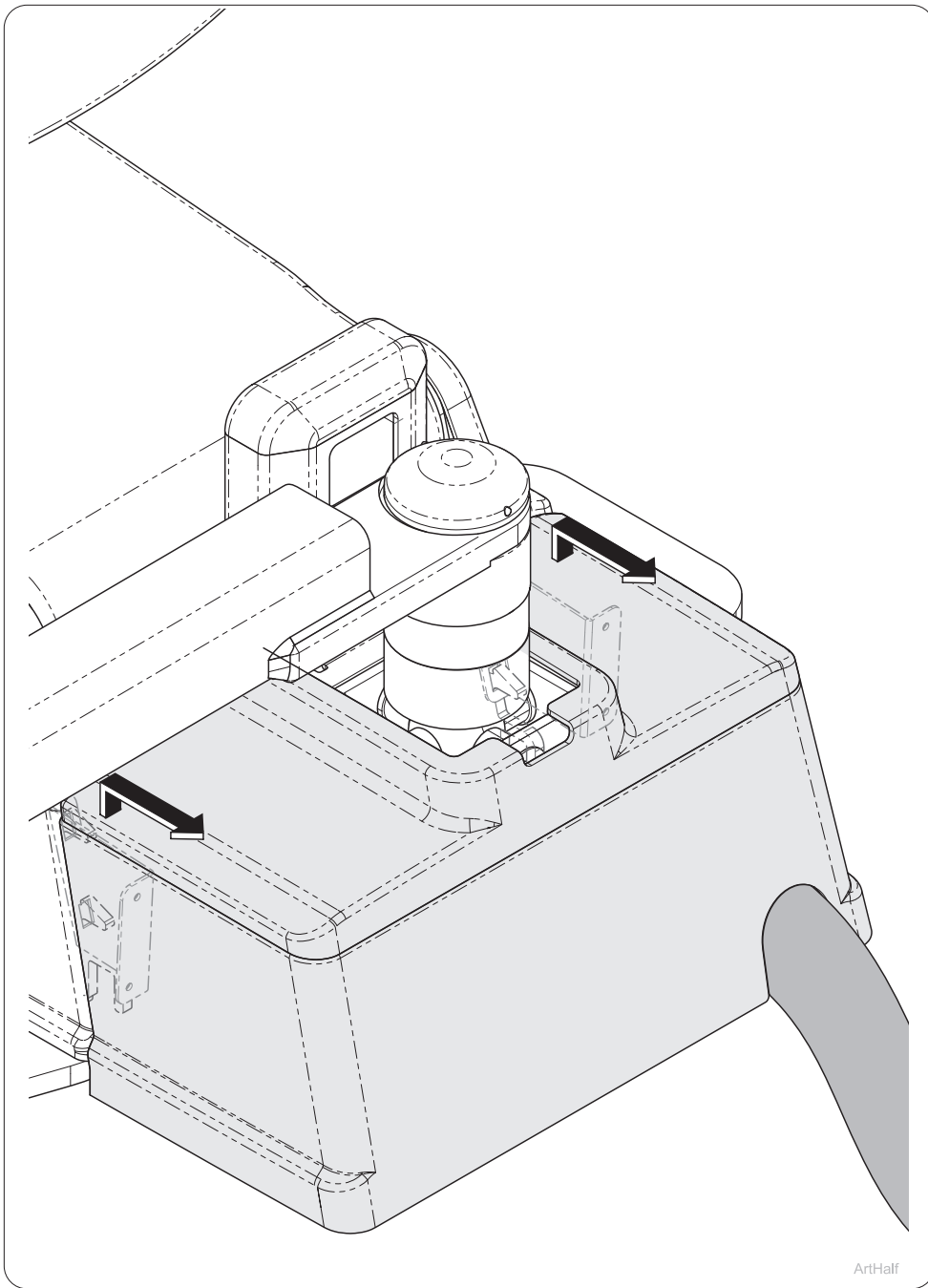


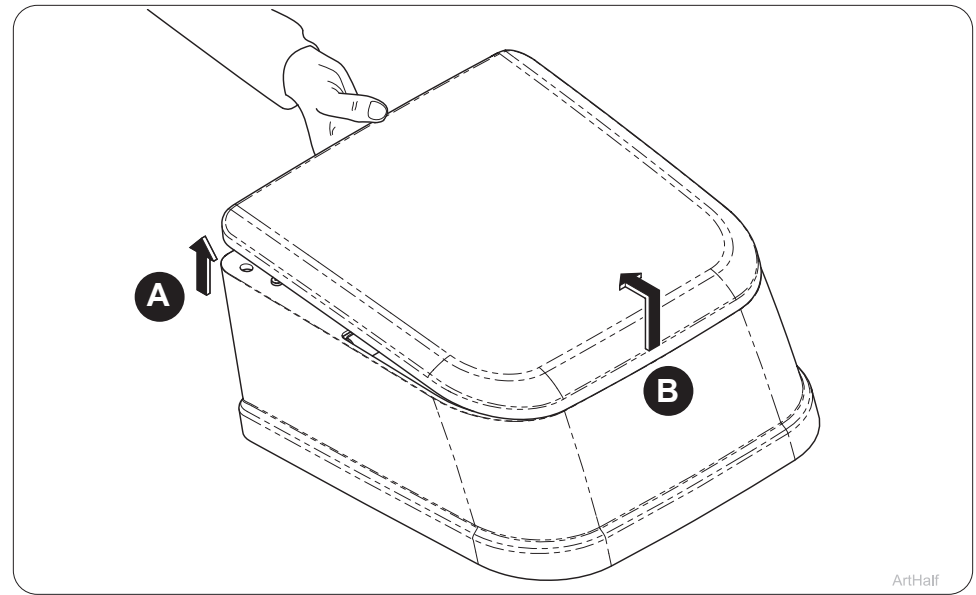
ArtFull



ArtHalf

### Removing Left-Right Box Cover

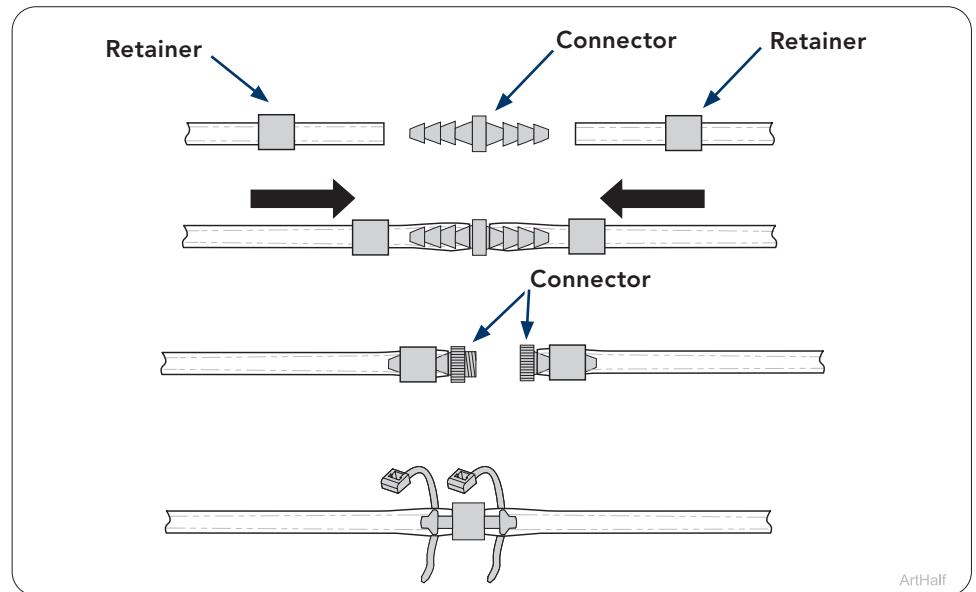
A) Lift left-right cover up slightly and pull away from chair until both left-right cover mounting brackets unlock from tabs.



ArtHalf

### Removing J-Box Lid

A) Remove J-box lid from base by lifting up back of lid.  
 B) Pull slightly up and back to the rear of the j-box.



ArtHalf

### Tube connections

A) Securing tubing together with different connectors.

# Chair Extension - 002-11133-01

## To install Extension.

- A) Connect extension connector in front of chair.
- B) Connect plug of extension bundle into power outlet.
- C) Install zip tie with screw to chair and secure power cord.

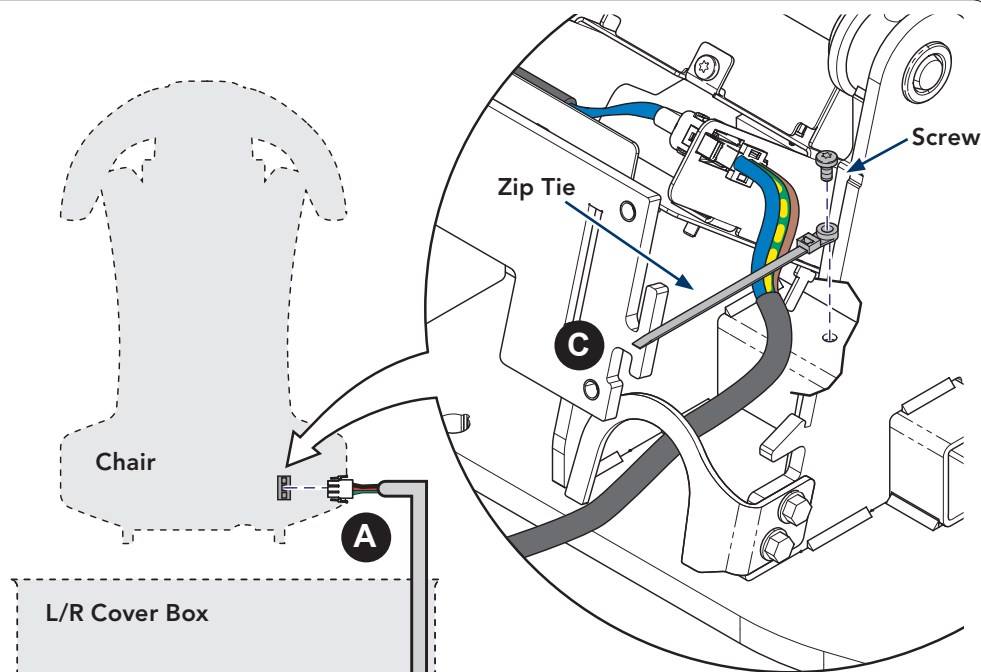
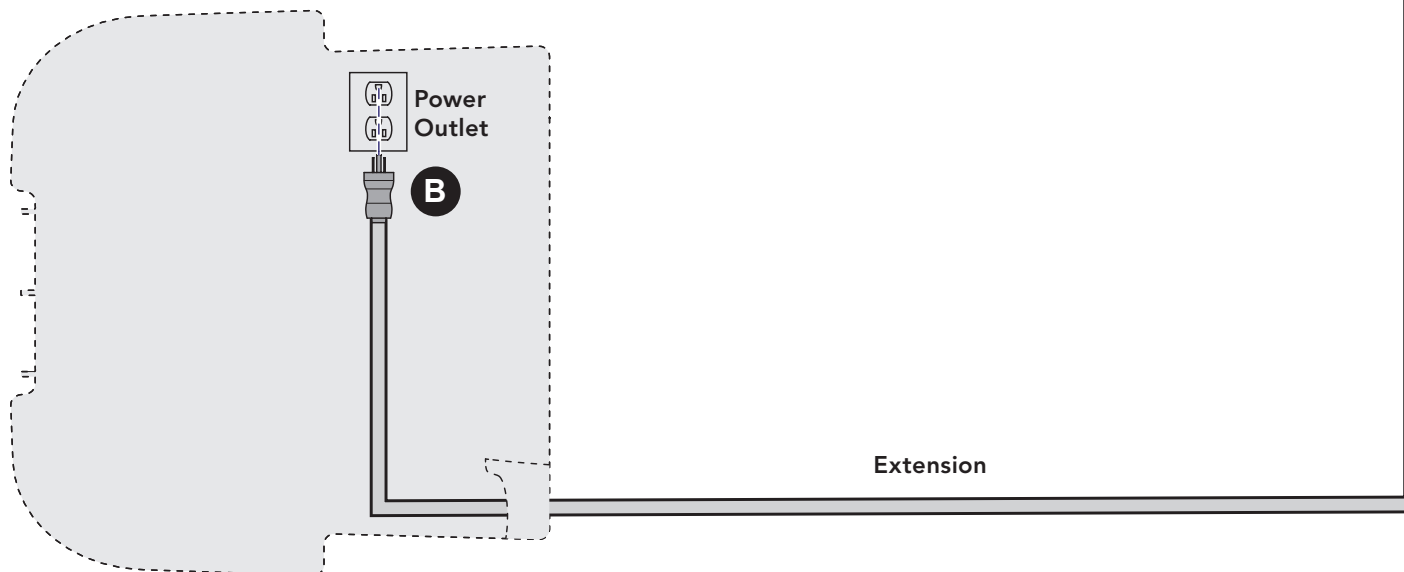


### WARNING

Disconnect power cord from power source before working on any components.

### Note

The chair could be connected one of three ways, receptacle in the j-box, receptacle in the power supply or receptacle outside of the j-box.



# Light Extension - 002-11198-00

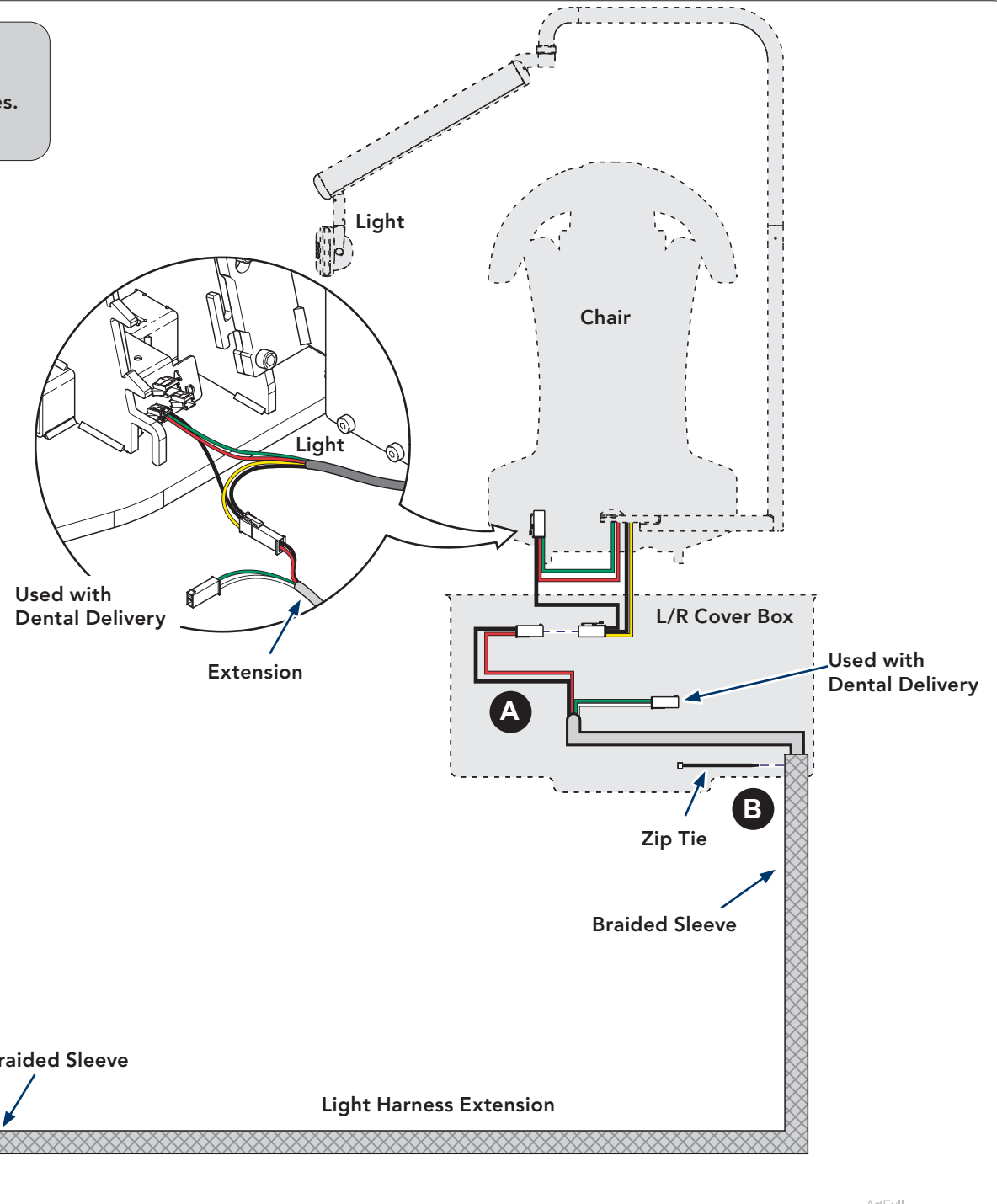
## To install Extension.

- A) Connect light extension to connectors from light.
- B) Slide light extension into braided sleeve and secure with zip ties.
- C) Connect other end of extension into power supply.



### WARNING

Disconnect power cord from power source before working on any components.



ArtFull

# Left-Right Delivery System Extension Bundle - 002-11195-00

## To install Extension Bundle.

- A) Match color tubing from front of L/R cover box with extension bundle and connect.
- B) Connect wiring harness to front of chair as shown.
- C) Install hook and loop braided sleeve before run extension into J-Box.
- D) Connect tubing in J-Box from extension bundle and use zip tie to secure.
- E) Connect wire harness to power supply.
- F) Zip tie both sides of extension bundles inside J-Box and L/R Cover Box.



### WARNING

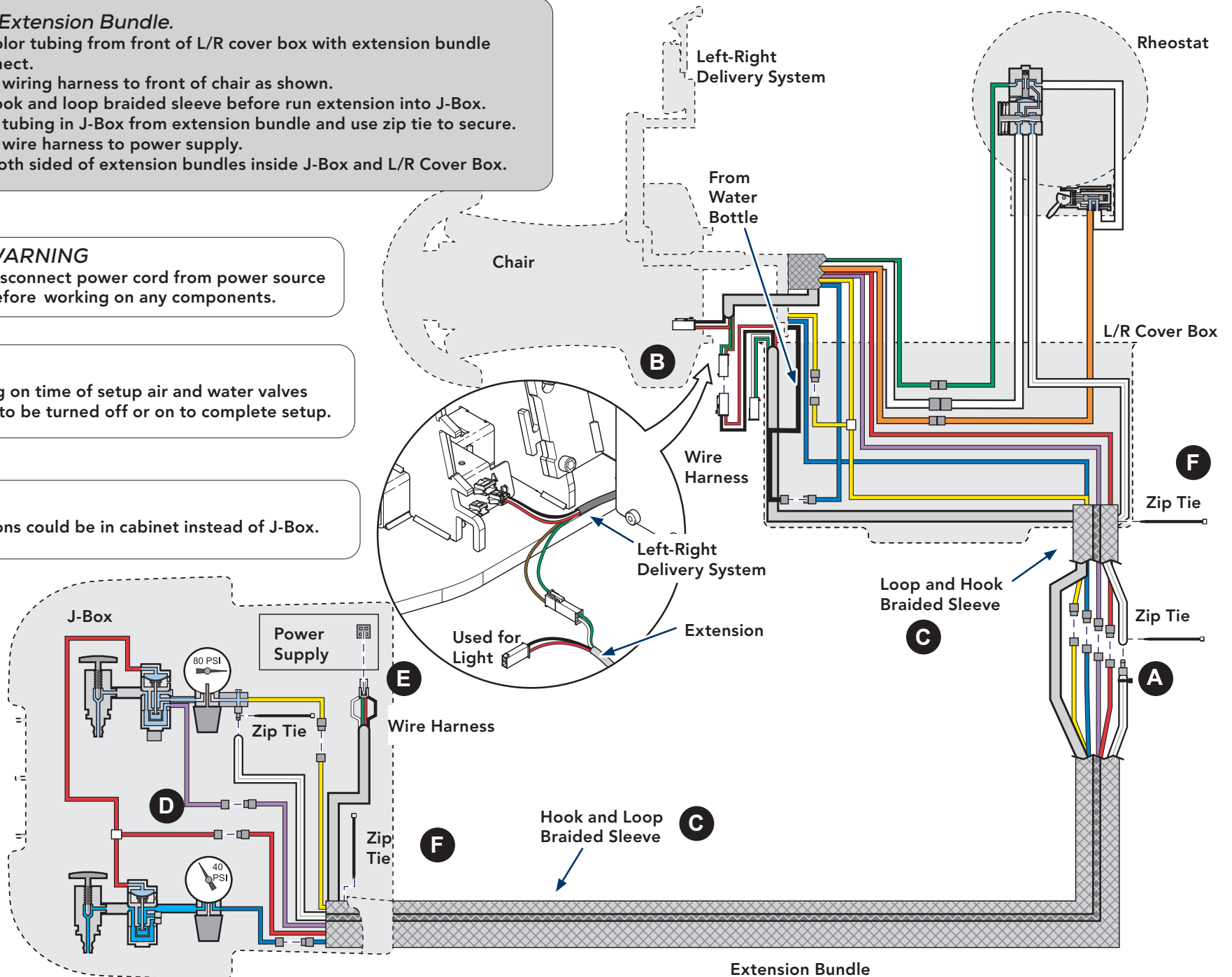
Disconnect power cord from power source before working on any components.

### Note

Depending on time of setup air and water valves may need to be turned off or on to complete setup.

### Note

Connections could be in cabinet instead of J-Box.

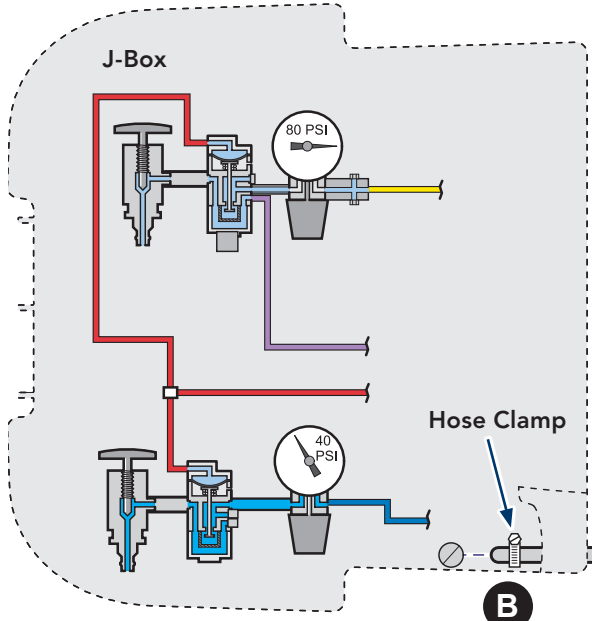
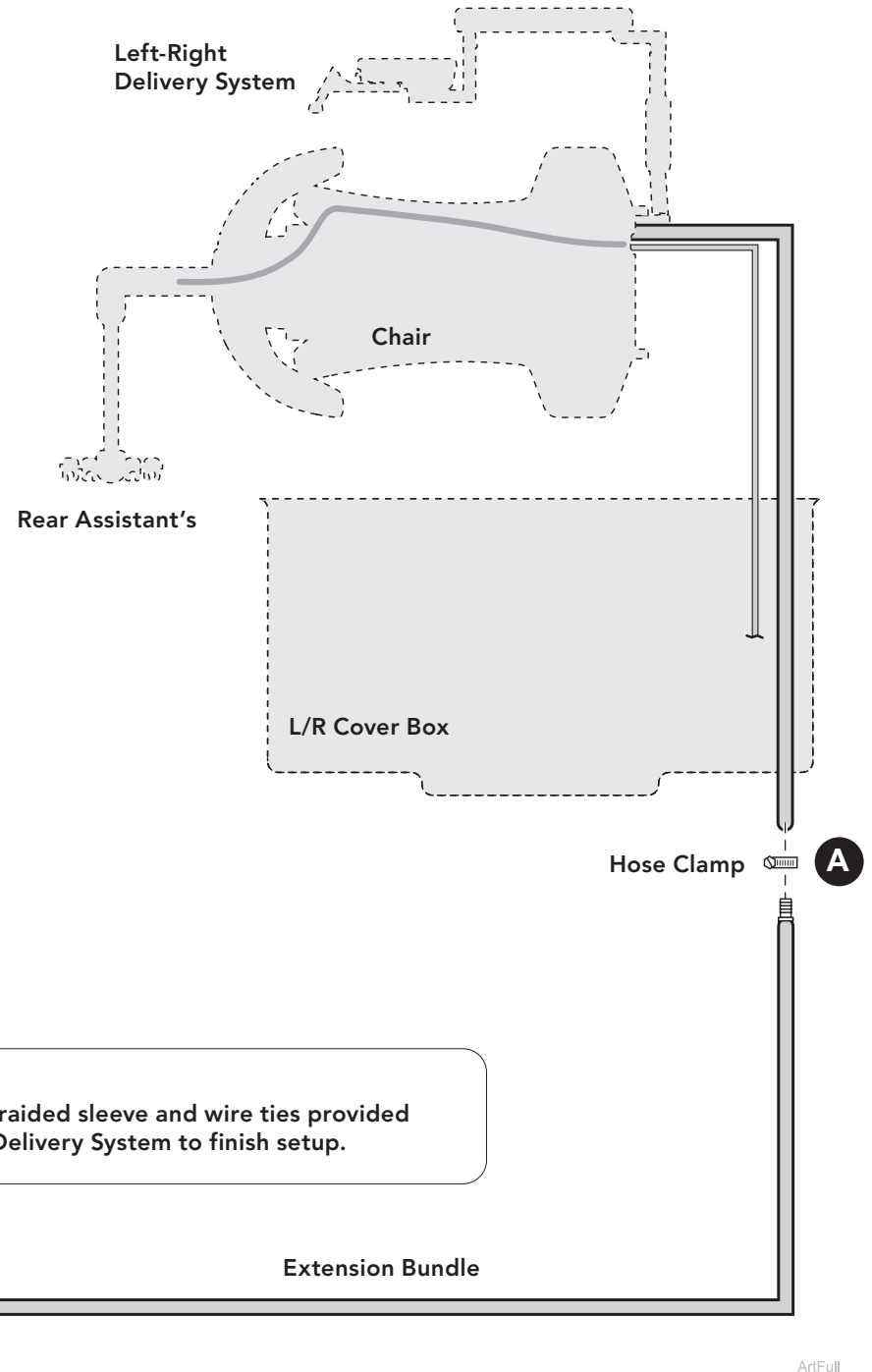


ArtFull

# Rear Assistant's Extension Bundle with Left-Right Delivery System - 002-11196-00

## To install Extension Bundle.

- A) Connect vacuum tube connector from extension bundle to front of chair with hose clamp.
- B) Secure extension bundle vacuum tube in J-box with hose clamp.



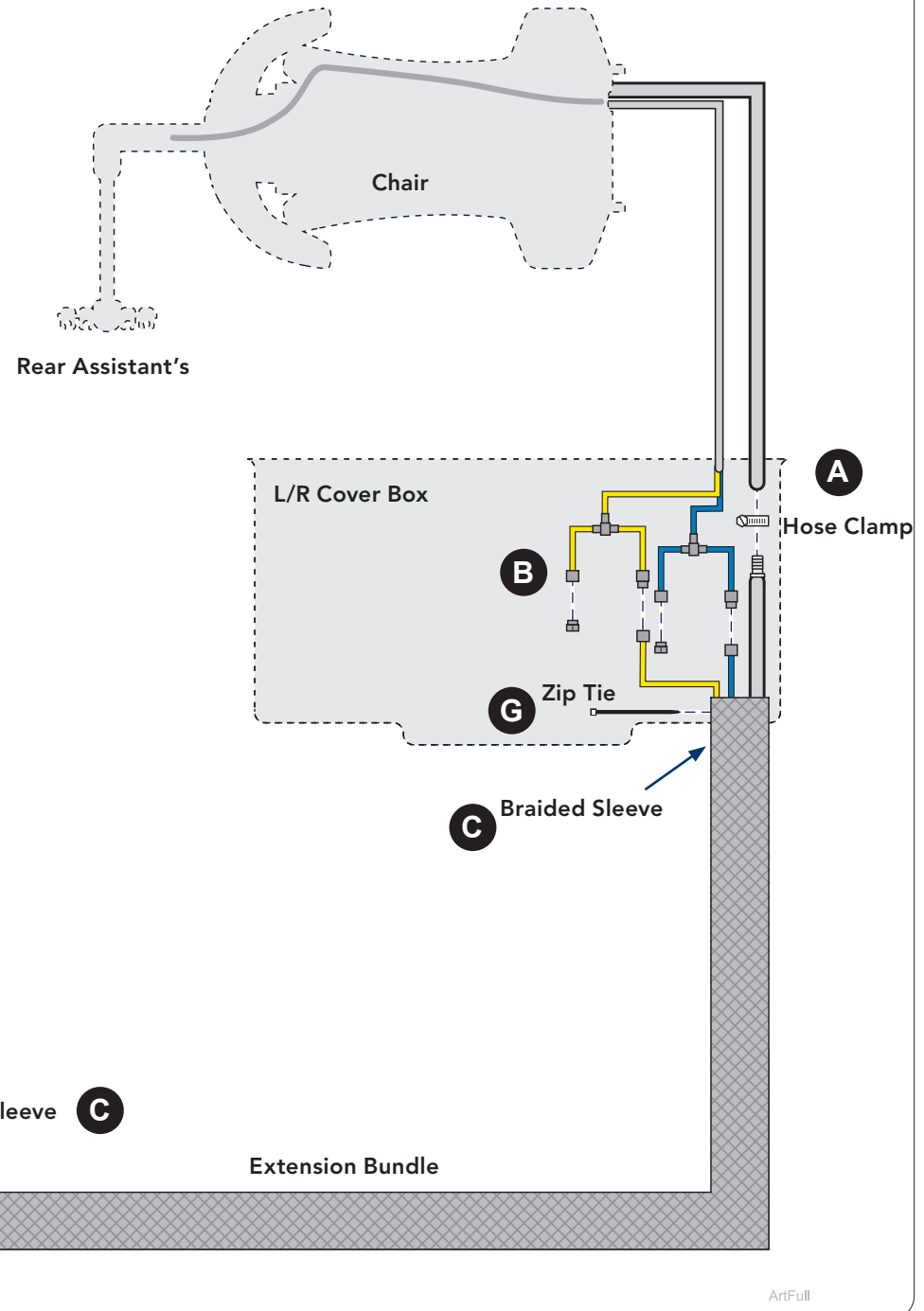
**Note**  
Use braided sleeve and wire ties provided with Delivery System to finish setup.

ArtFull

# Rear Assistant's Extension Bundle without Left-Right Delivery System - 002-11196-01

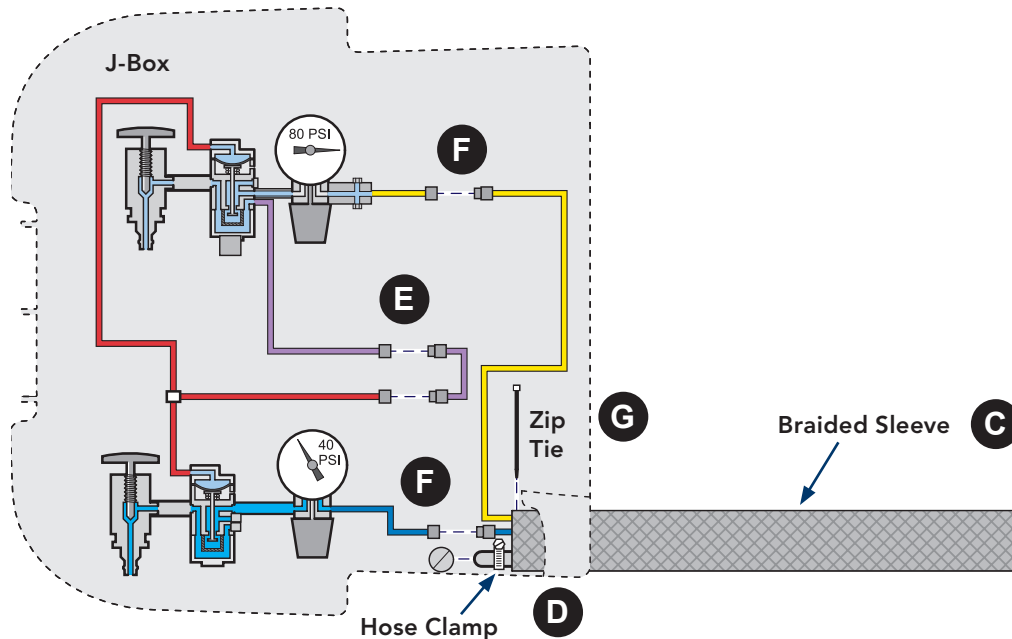
## To install Extension Bundle.

- A) Connect vacuum tube connector from extension bundle to front of chair with hose clamp.
- B) Connect like tubing from L/R Cover Box and plug the other colored tubing.
- C) Install braided sleeve extension before run extension into J-Box.
- D) Secure extension bundle vacuum tube in J-box with hose clamp.
- E) Connect purple tubing from air regulator to red tube from water regulator with small purple tubing provided
- F) Connect like colored tubing.
- G) Zip tie both sides of extension bundles inside J-Box and L/R Cover Box.



## Note

Depending on time of setup air and water valves may need to be turned off or on to complete setup.



# Cuspidor Extension - 002-11197-00

## To install Extension Bundle.

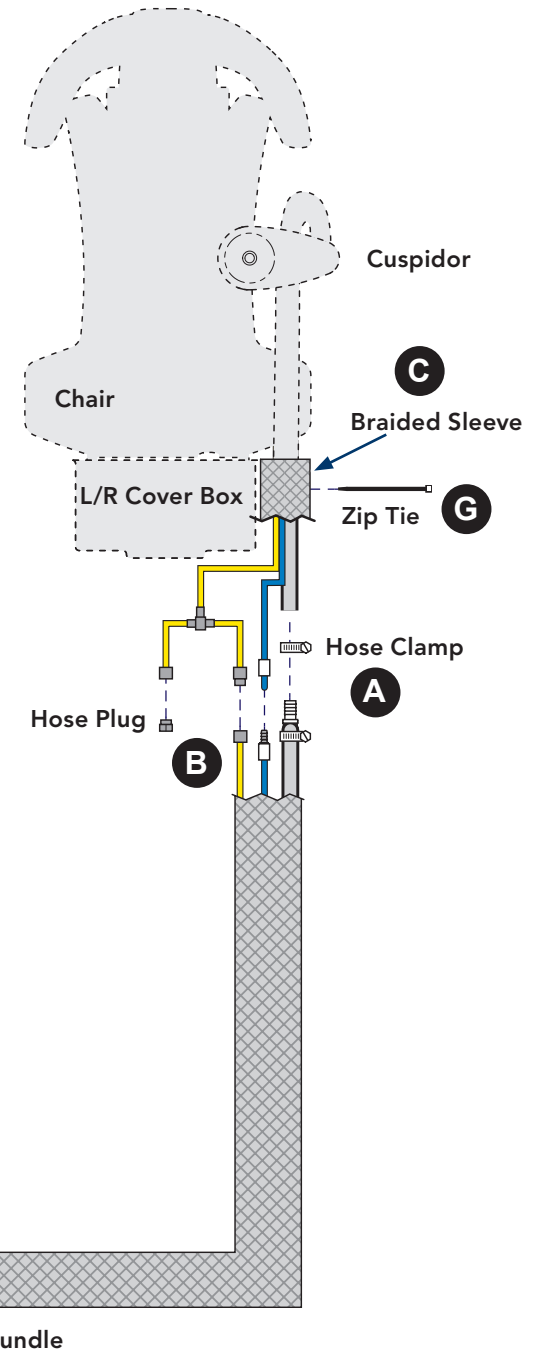
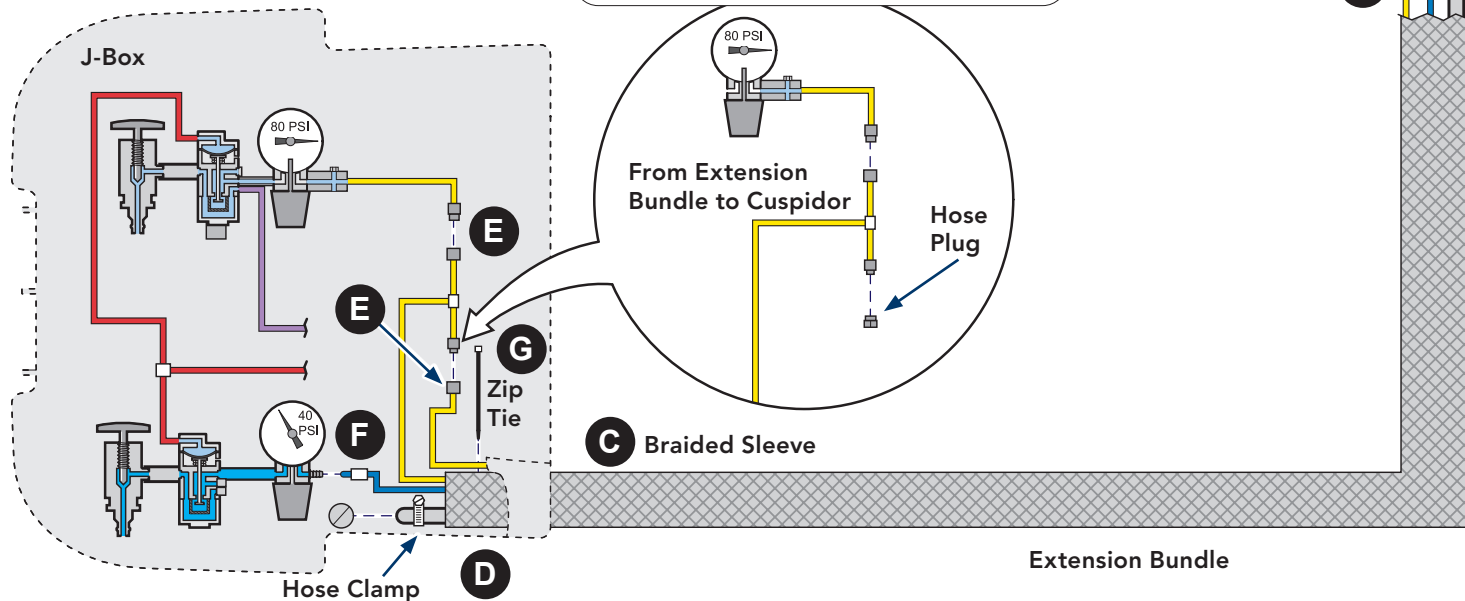
- A) Connect drain tube connector from extension bundle to cuspidor tube with hose clamp.
- B) Connect like tubing from cuspidor and plug the other yellow tube.
- C) Install braided sleeve extension before run extension into J-Box.
- D) Secure extension bundle drain tube in J-box with hose clamp.
- E) Connect yellow tubing to air regulator and Left-Right Delivery System.
- F) Connect blue tubing to water regulator.
- G) Zip tie extension bundles inside J-Box and rest of bundle as needed.

### Note

Depending on time of setup air and water valves may need to be turned off or on to complete setup.

### Note

Use a hole plug for dental chair with no delivery system and cuspidor only.



ArtFull

