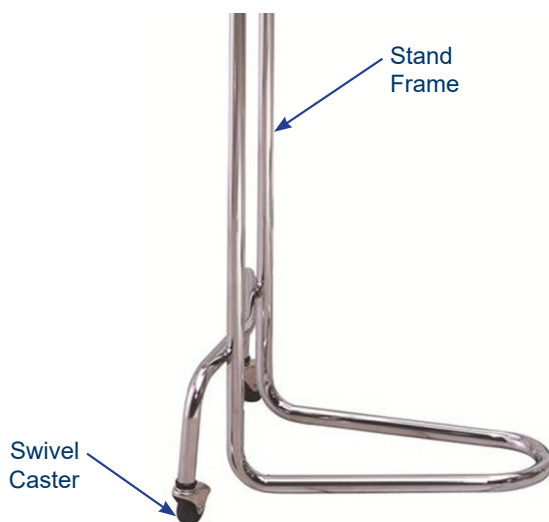


The adjustable Mayo Stand is a compact table used for veterinary procedures. This specification includes dimensions and materials pertaining to this model.

Specifications	
Physical Dimensions	
Overall Height (A)	See "Dimensions"
Overall Width (B)	50.80 cm (20 in)
Overall Length (C)	53.34 cm (21 in)
Floor Surface Area	0.27 sq m (2.92 sq ft)
Tray	30.48 cm x 48.26 cm x 1.91 cm (12 in x 19 in x .75 in)
Tray Capacity	2.27 kg (5 lbs)
Weight	
Weight	8.62 kg (19 lbs)
Materials	
Frame	Chrome-Plated Steel Tubing
Tray	Stainless Steel
Casters	Rubber



Dimensions				
Stand Position	A - Height	B - Width	C - Length	Weight
Down	86.36 cm (34 in)	50.80 cm (20 in)	53.34 cm (21 in)	8.62 kg (19 lbs)
Up (max)	132.08 cm (52 in)			



NOTE: Slide extension posts allow height adjustments from 34" to 52".

⚠ This product can expose you to chemicals, including nickel (metallic), which are known to the state of California to cause cancer. For more information, go to: www.P65Warnings.ca.gov