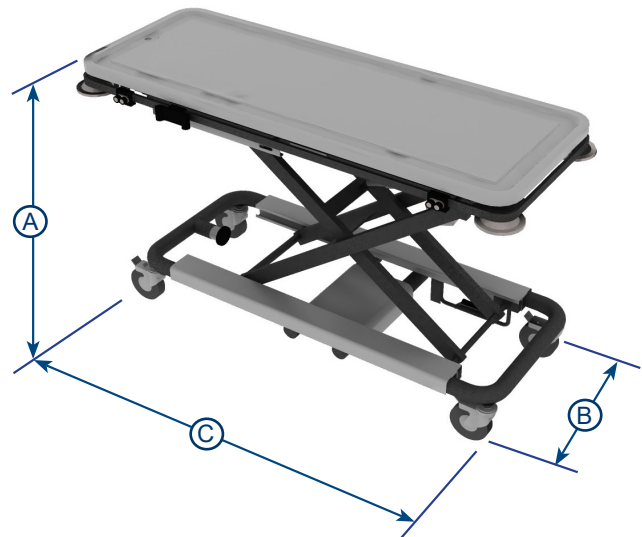


The CoJack Multi-Purpose Table has multiple uses—it can lift, tilt (optional) and transport without the clutter of numerous tables. This specification includes dimensions and materials pertaining to this model.

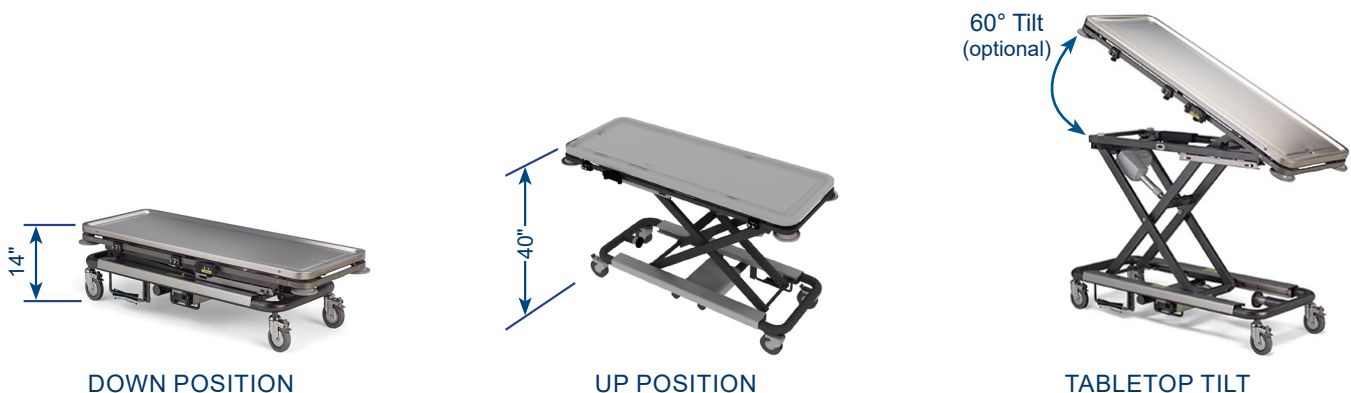
Specifications	
Physical Dimensions	
Overall Height (A)	See "Dimensions"
Overall Width (B)	1.83 cm (22 in)
Overall Length (C)	156.21 cm (61.5 in)
Floor Surface Area	0.87 sq m (9.32 sq ft)
Table Capacity	113.40 kg (250 lbs)
Weight	
Weight	75.52 kg (166.50 lbs)
Electric Actuator	
Electrical Load	110/220 VAC 60/50 Hz
DC Control Module	24 VDC 2.9 A
Battery	24 VDC
Shaft Travel	152 mm (6 in)
Materials	
Frame	Powder-Coated Heavy Gauge Steel
Tabletop	Series 304 18 GA Stainless Steel*
Casters	Non-Marring Polyurethane

\* Series 304 is referred to as medical grade due to its composition.



Tabletop Characteristics	
Tabletop Size	60 in x 20 in
Height Adjustment	From 14 in to 40 in

Dimensions				
Table Position	A - Height	B - Width	C - Length	Weight
Down	35.56 cm (14 in)	1.83 cm (22 in)	156.21 cm (61.5 in)	75.52 kg (166.50 lbs)
Up	101.60 cm (40 in)			



- NOTE:**
- Rechargeable battery supports approximately 100 full-capacity lifts per charge
  - Fast charge (approximately 4 hours full charge)
  - Foot pedal activates the lift/tilt rocker switch
  - Tabletop tilts up to 60° (optional)
  - Table includes integrated drain opening with collection pail hook
  - Includes four sliding leash safety ties

⚠ This product can expose you to chemicals, including nickel (metallic), which are known to the state of California to cause cancer. For more information, go to: [www.P65Warnings.ca.gov](http://www.P65Warnings.ca.gov)