

The Mobile Lift Table is battery-powered and available with or without an integrated scale. This specification includes dimensions and materials pertaining to this model.

Mobile Lift Table  
with Scale

Specifications	
Physical Dimensions	
Overall Height (A)	See "Dimensions"
Overall Width (B)	78.11 cm (30.75 in)
Overall Length (C)	130.81 cm (51.5 in)
Floor Surface Area	1.02 sq m (11 sq ft)
Tabletop	54.61 cm x 118.11 cm (21.5 in x 46.5 in)
Table Capacity	90.72 kg (200 lbs)
Weight	
Weight	See "Dimensions"
Electric Actuator	
Electrical Load	110/220 VAC 60/50 Hz
DC Control Module	24 VDC 2.9 A
Battery	24 VDC
Shaft Travel	152 mm (6 in)
Lift Speed (no load)	14 s Up / 13 s Down
Materials	
Frame	Powder-Coated Heavy Gauge Steel
Tabletop	Series 304 18 GA Stainless Steel*
Casters	Corrosion-Resistant Nylon
* Series 304 is referred to as medical grade due to its composition.	

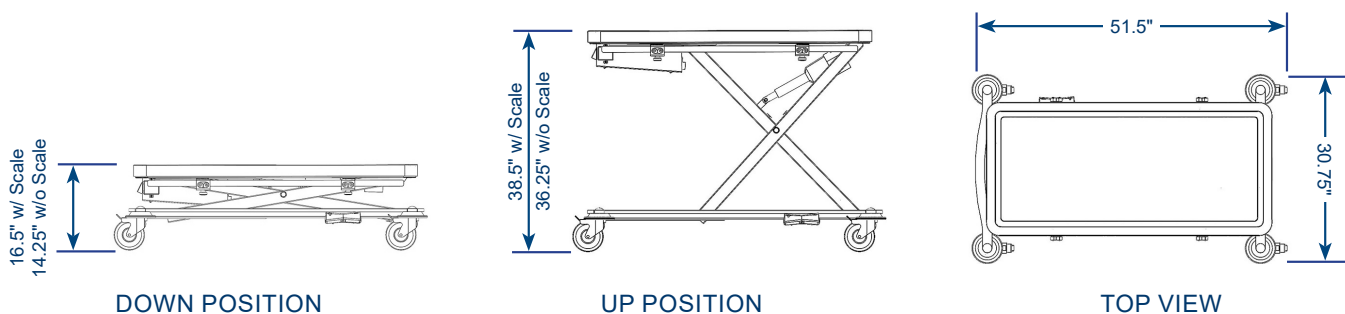


### K9-W8 Scale Specifications (Optional)

Operating Temperature	-1 °C to 50 °C (30.2 °F to 122 °F)
Operating Voltage	Standard Power Input: 7 to 24 VDC (4.8, 7.2, 9.6, 12)
Power-Pak	110/220 VAC 60/50 Hz in 24 VDC 1.25 A out

### Dimensions

Table Type	Table Position	A - Height	B - Width	C - Length	Weight
With Scale	Down	41.91 cm (16.5 in)	78.11 cm (30.75 in)	130.81 cm (51.5 in)	78.64 kg (173.38 lbs)
	Up	97.79 cm (38.5 in)			
Without Scale	Down	36.20 cm (14.25 in)	78.11 cm (30.75 in)	130.81 cm (51.5 in)	68.02 kg (149.96 lbs)
	Up	92.08 cm (36.25 in)			



NOTE: Battery under tabletop charges in 4–6 hours and holds charge up to two weeks.

⚠ This product can expose you to chemicals, including nickel (metallic), which are known to the state of California to cause cancer. For more information, go to: [www.P65Warnings.ca.gov](http://www.P65Warnings.ca.gov)