



Universal Light Installation

Applies to Models:
153639 (-001)
153904 (-002)

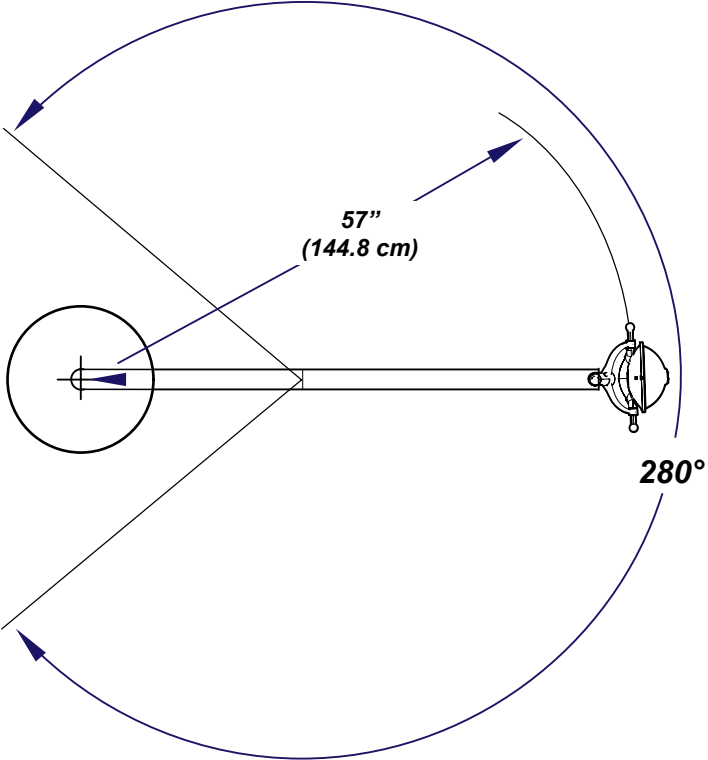
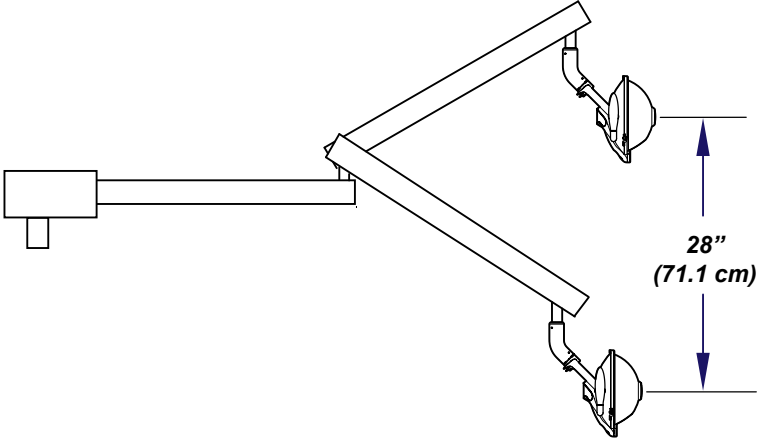
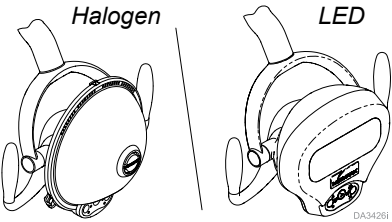
Language of origin: English

WARNING
Equipment is not suitable for use in the presence of a flammable anesthetic mixture.

Equipment Alert
Before installing the Midmark Cabinet / Wall Light, ensure the physical room requirements outlined are met.

Dimensions / Swing Radius

NOTE: This install guide applies to Halogen and LED-style lights.



MA3476i

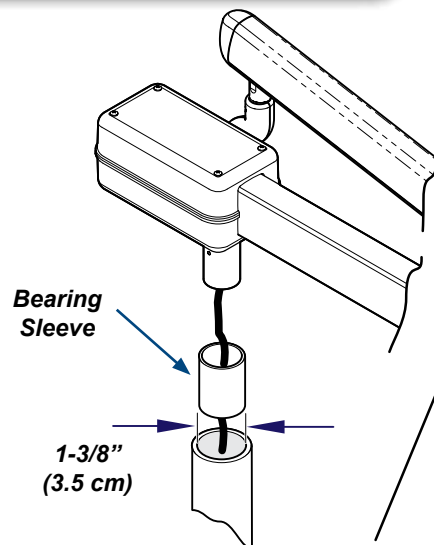
Installing Light Arm

Note

Make sure post is level before installation. This light can be installed into 1-3/8 or 1-3/4 in. diameter mounting posts.

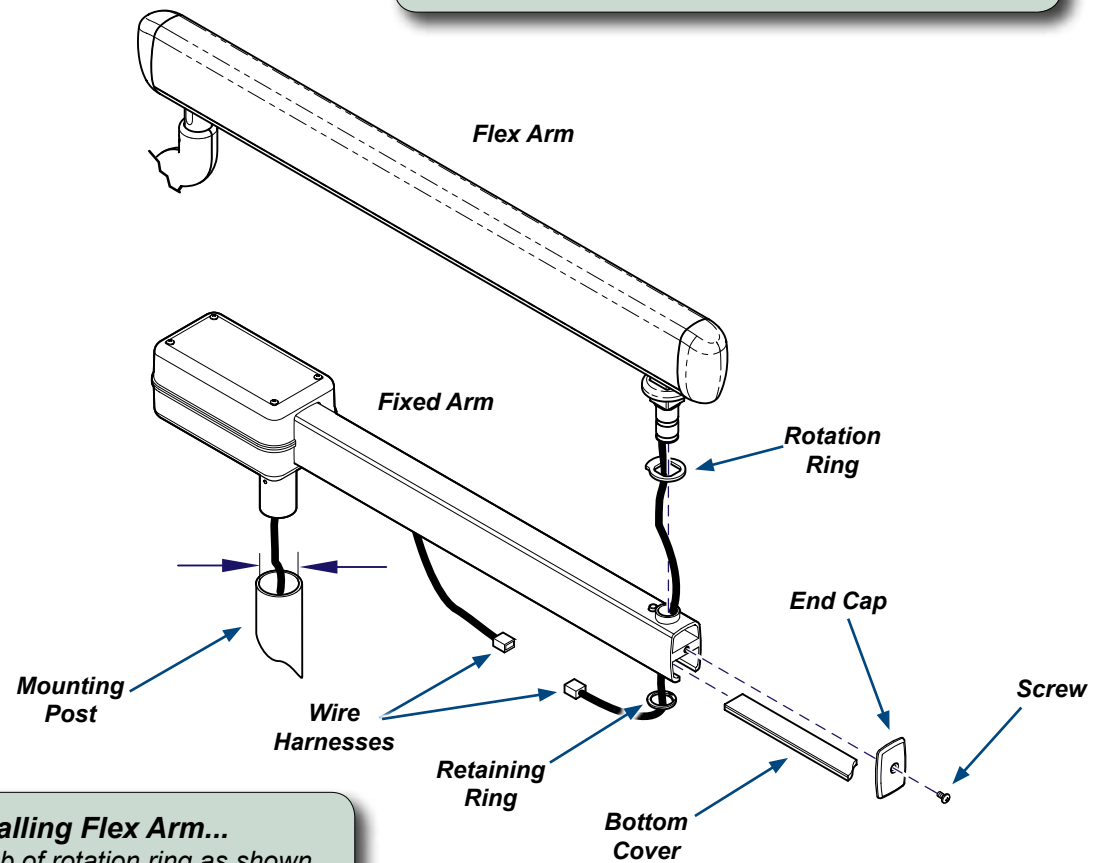
Step 1: Install bearing sleeve... (ONLY)

A) Install bearing sleeve into mounting post.



Step 2: Installing Fixed Arm...

- A) Route power cord thru mounting post.
- B) Insert fixed arm into mounting post.
- C) Remove screw, end cap and bottom cover.
- D) Route wire harness thru rotation stop ring and fixed arm.



Step 3: Installing Flex Arm...

- A) Position tab of rotation ring as shown.
- B) Insert flex arm into fixed arm.

Step 4: Wire connection...

- A) Slide retaining ring over wire harness and install in fixed arm.
- B) Connect wire harnesses from flex arm and fixed arm.
- C) Install screw, end cap and bottom cover.

DA3474i

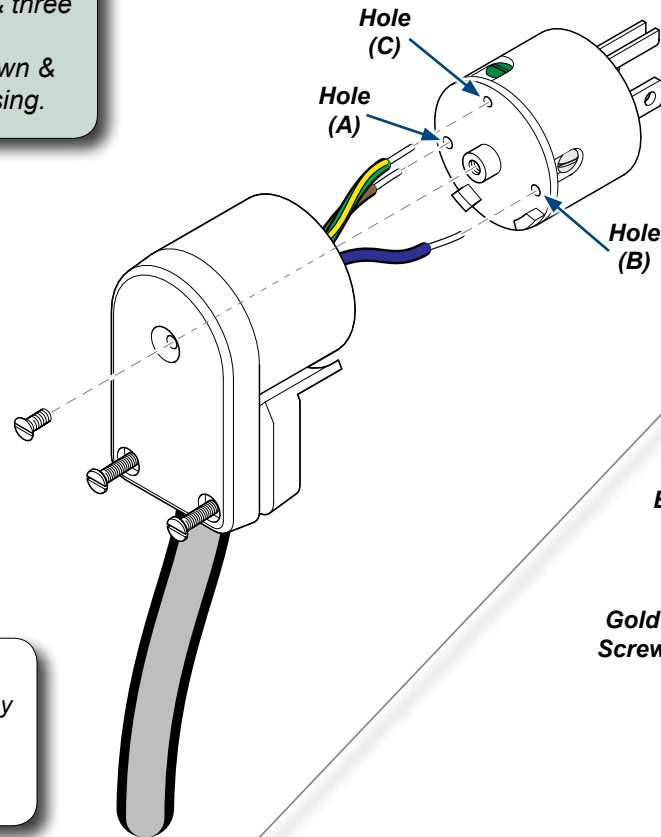
Installing Plug to Power Cord

Note (Halogen ONLY)

If facility voltage is 230 VAC, install a properly rated plug according to local codes and regulations. Adjust transformer for 230 VAC operation.

Step 1:

- Remove screw as shown & three pronged portion of plug.
- Loosen two screws as shown & insert power cord into housing.



Note

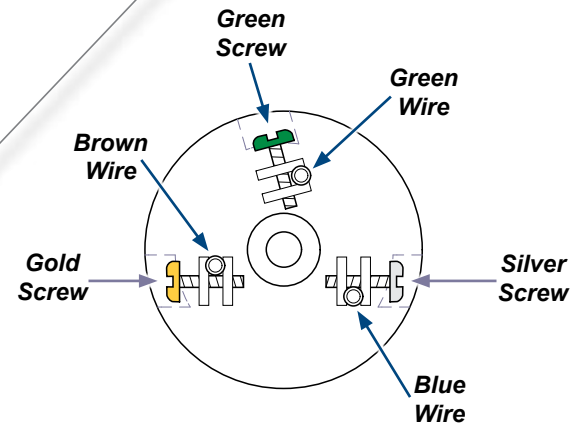
The three pronged portion of plug may be installed in four different positions. Be sure two tabs on pronged portion align with notches in housing.

Step 3:

- Rotate three pronged portion of plug to desired position in housing & secure with screw.
- Tighten two screws so that power cord is secured. Do not overtighten screws.

Step 2:

- Insert BROWN wire from power cord into hole (A) & tighten GOLD screw.
- Insert BLUE wire from power cord into hole (B) & tighten SILVER screw.
- Insert GREEN wire from power cord into hole (C) & tighten GREEN screw.



DA3416i

- Step 4:** Plug power cord into properly rated receptacle & check for proper operation.

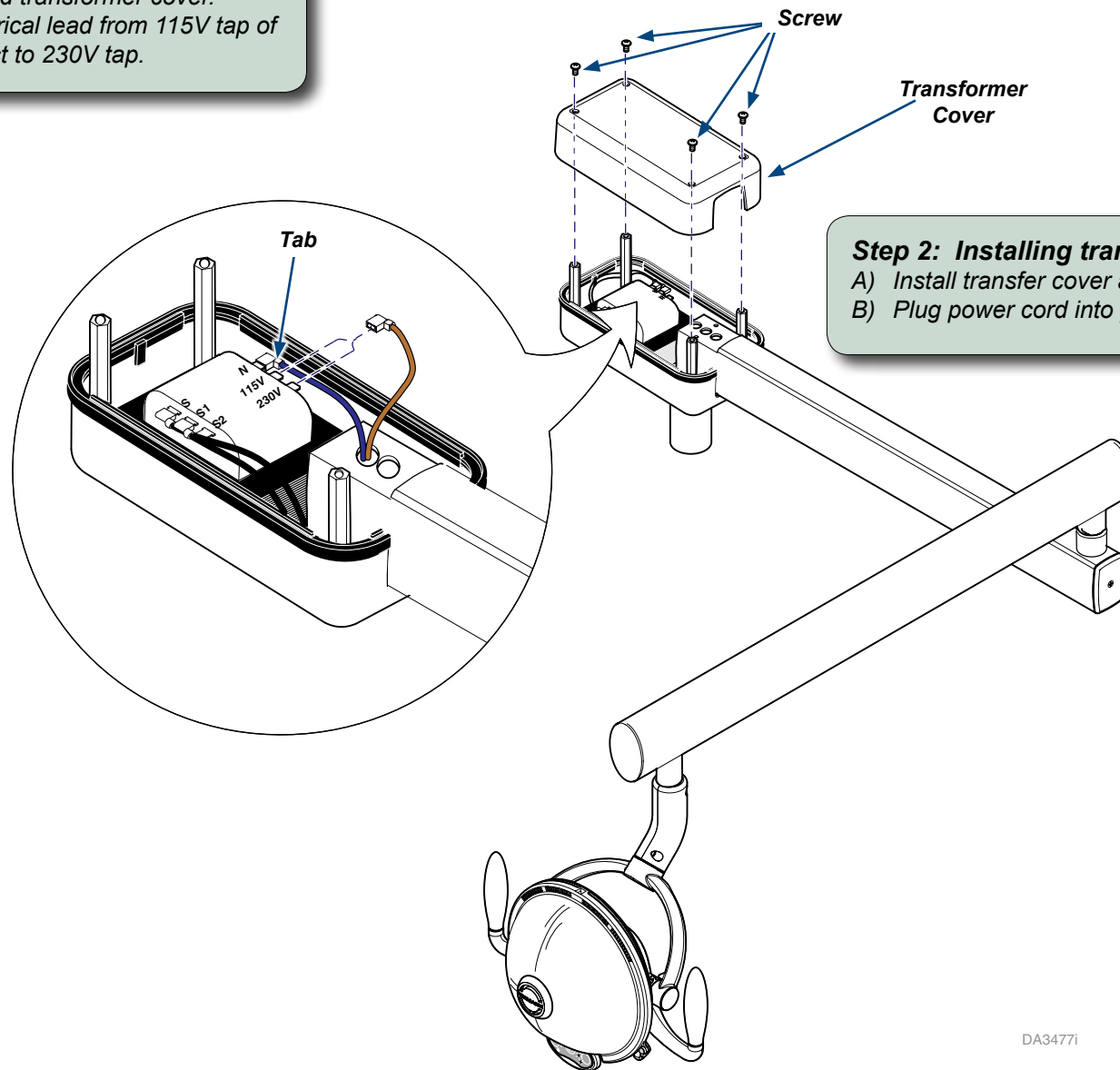
Changing Transformer VAC (Halogen ONLY)

Step 1: Removing cover and disconnecting...

- A) Remove four screws and transformer cover.
- B) Disconnect brown electrical lead from 115V tap of transformer and connect to 230V tap.

Note

If facility voltage is 230 VAC, the following procedure must be performed before connecting power to light.



Step 2: Installing transfer cover...

- A) Install transfer cover and secure with four screws.
- B) Plug power cord into proper rated receptacle.

Tension Adjustments

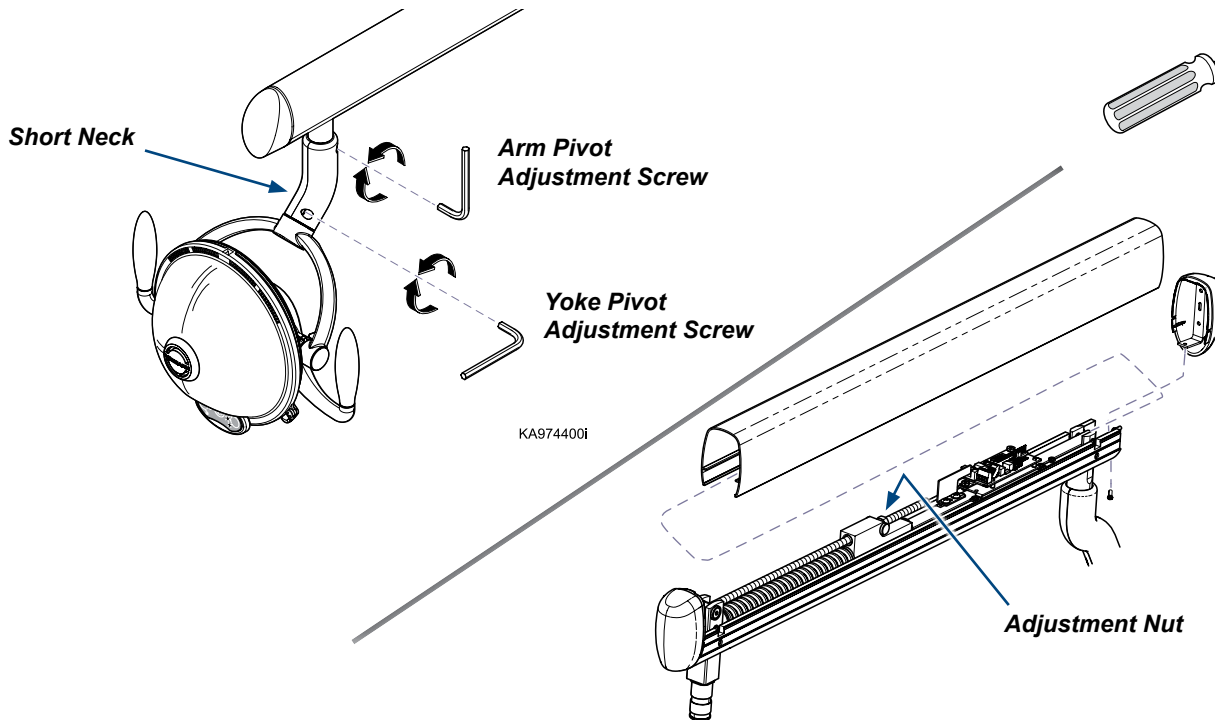
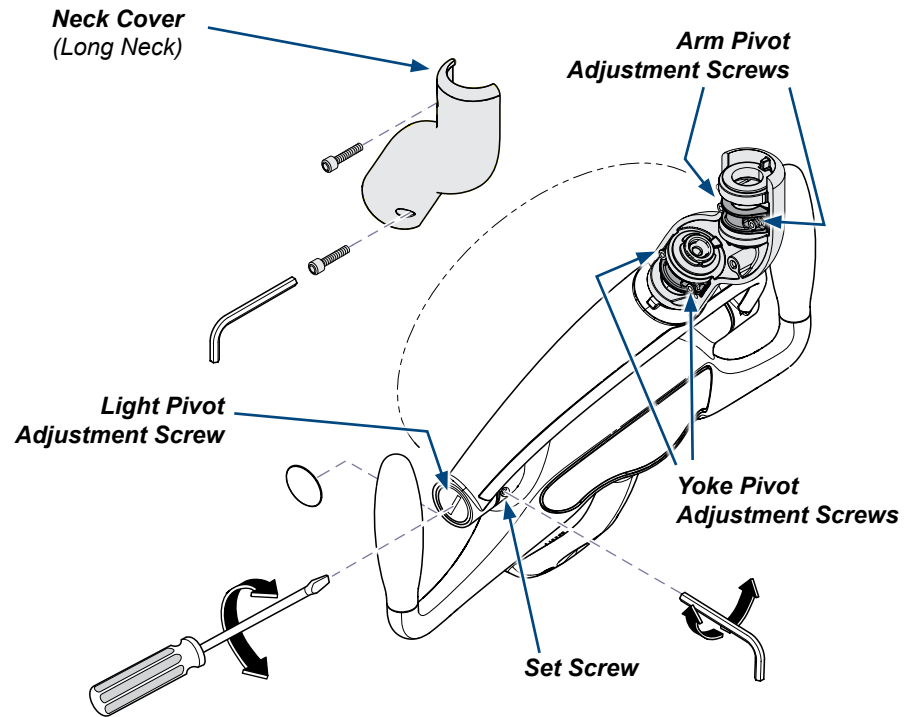
To adjust tension at Light pivot joint...

- A) Remove screw cover as shown.
- B) Loosen set screw.
- C) Loosen or tighten light pivot adjustment screw.
- D) Tighten set screw.

To adjust tension at Arm / Yoke pivot joints...

- A) Remove neck cover as shown (see Note).
- B) Loosen or tighten appropriate screws to adjust tension.

Note: Some halogen models have a short neck on the lighthead. It is not necessary to remove the neck cover on these models.



To adjust Flex Arm tension...

- A) Remove end cap and top cover as shown.
- B) Loosen or tighten adjustment nut as desired.



Because we care.