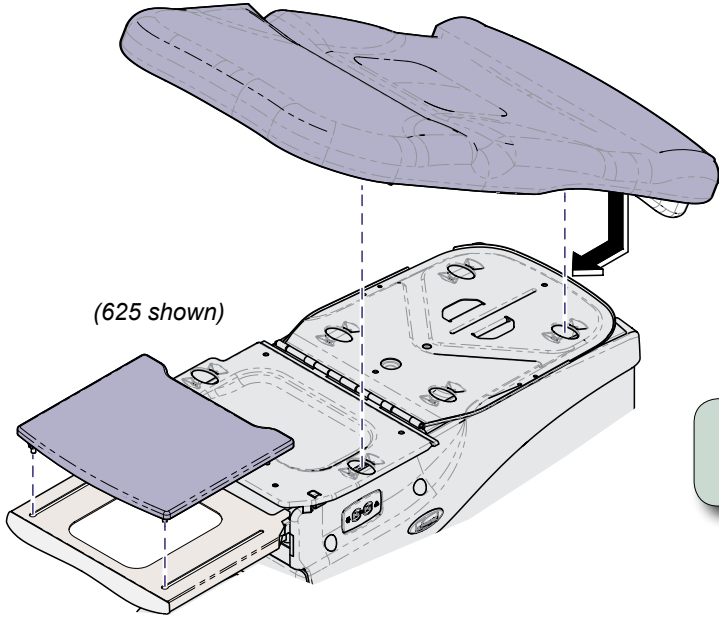




# Upholstery Installation (Midmark)

**Applies to Models:**  
604 (all)  
622 (-007 & -008)  
623 (-007 thru -011)  
625 (all)  
  
Language of origin: English

**Restrictions:**  
32 inch wide upholstery sets can only be installed on 625 models.

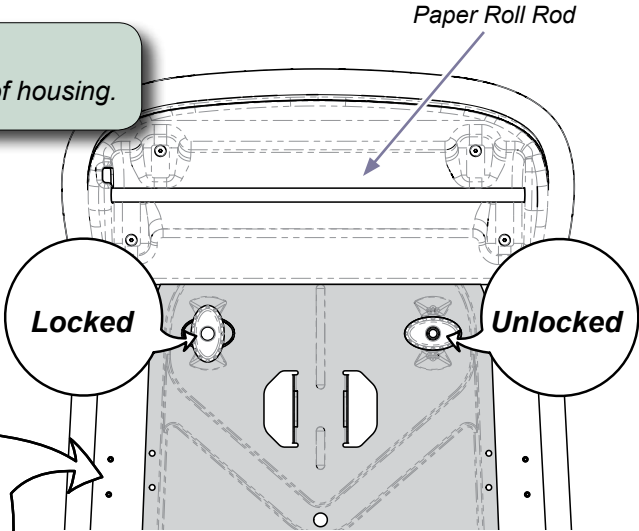


**Equipment Alert**  
Be sure paper roll rod has been removed from the seat / back hinge before installing upholstery top.

**To install seat / back upholstery...**

- A) Slide back support plate under paper roll housing.
- B) Position upholstery so that locking knobs align with holes in mounting plates.
- C) Turn all locking knobs to LOCKED position.

**To install paper roll rod...**  
Insert ends of paper roll rod into holes of housing.

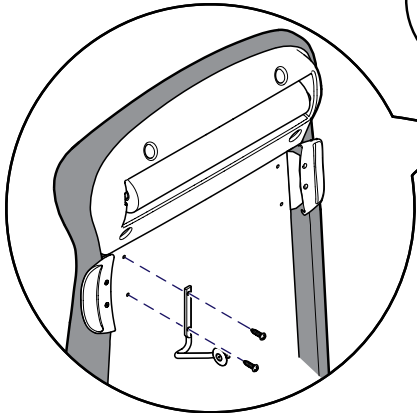


**To install footrest pad...**

- A) Extend footrest shelf.
- B) Place footrest glides in shelf slots.

**Equipment Alert**  
When installing 32 inch wide upholstery, the hand control bracket must be relocated.

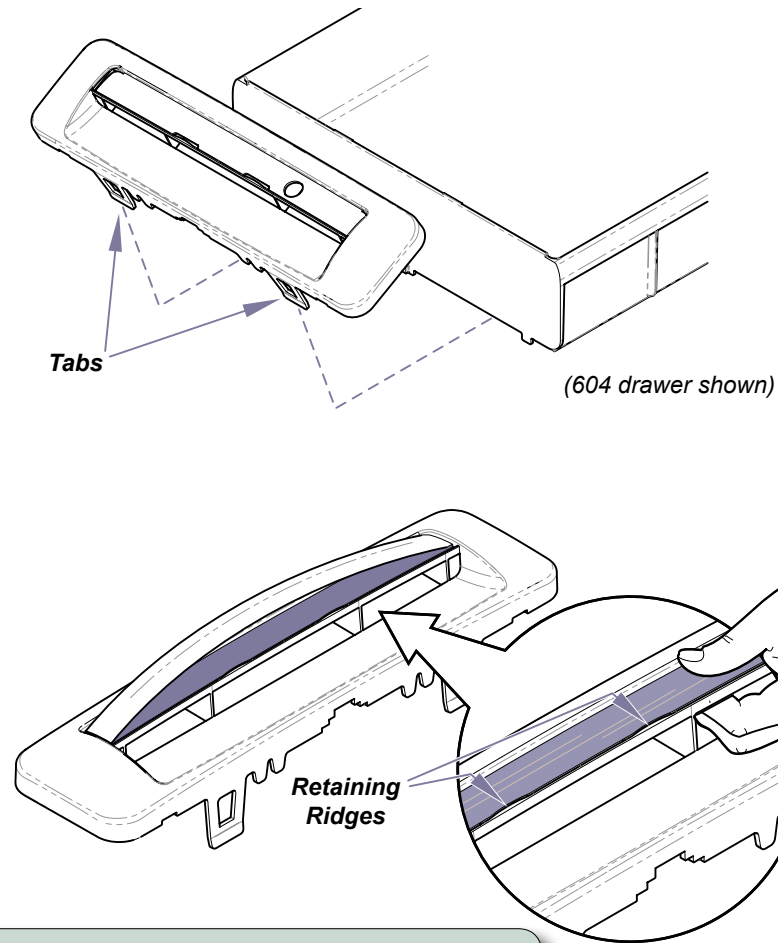
**To relocate hand control bracket...**  
Remove two screws and move hand control bracket from back weldment to upholstery back, then secure with two screws.



**Note**  
Hand control bracket can be mounted on the right or left side.

MA9178i

*Models with drawers only:*

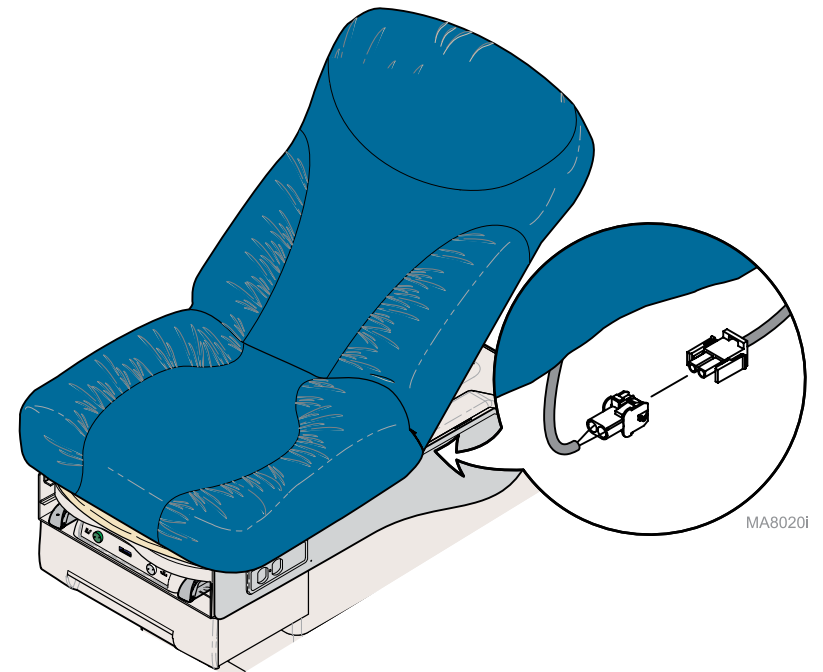


**To install color inserts onto drawer pulls...**

- A) Remove drawer front. (Pull tabs down to release).
- B) Remove clear insert cover.
- C) Position color insert.
- D) Replace clear insert cover.  
(Insert ends into slots one at a time)

*Note:* To lock clear insert cover in place, pinch firmly until cover snaps under two retaining ridges.

*Models with heated upholstery only:*



**Equipment Alert**

*Be sure harness is not pinched between upholstery & upperwrap.*

**To connect power to upholstery heater:**

- A) Connect upholstery heater harness.