

Knight Biltmore Classic Dental Chair Installation Guide

Knight[®]
by MIDMARK

For models:

120 VAC: 152192-01, 152375-01, 153085-01, 153102-01, 153647-01
240 VAC: 152267-01, 152723-01, 153039-01, 153335-01

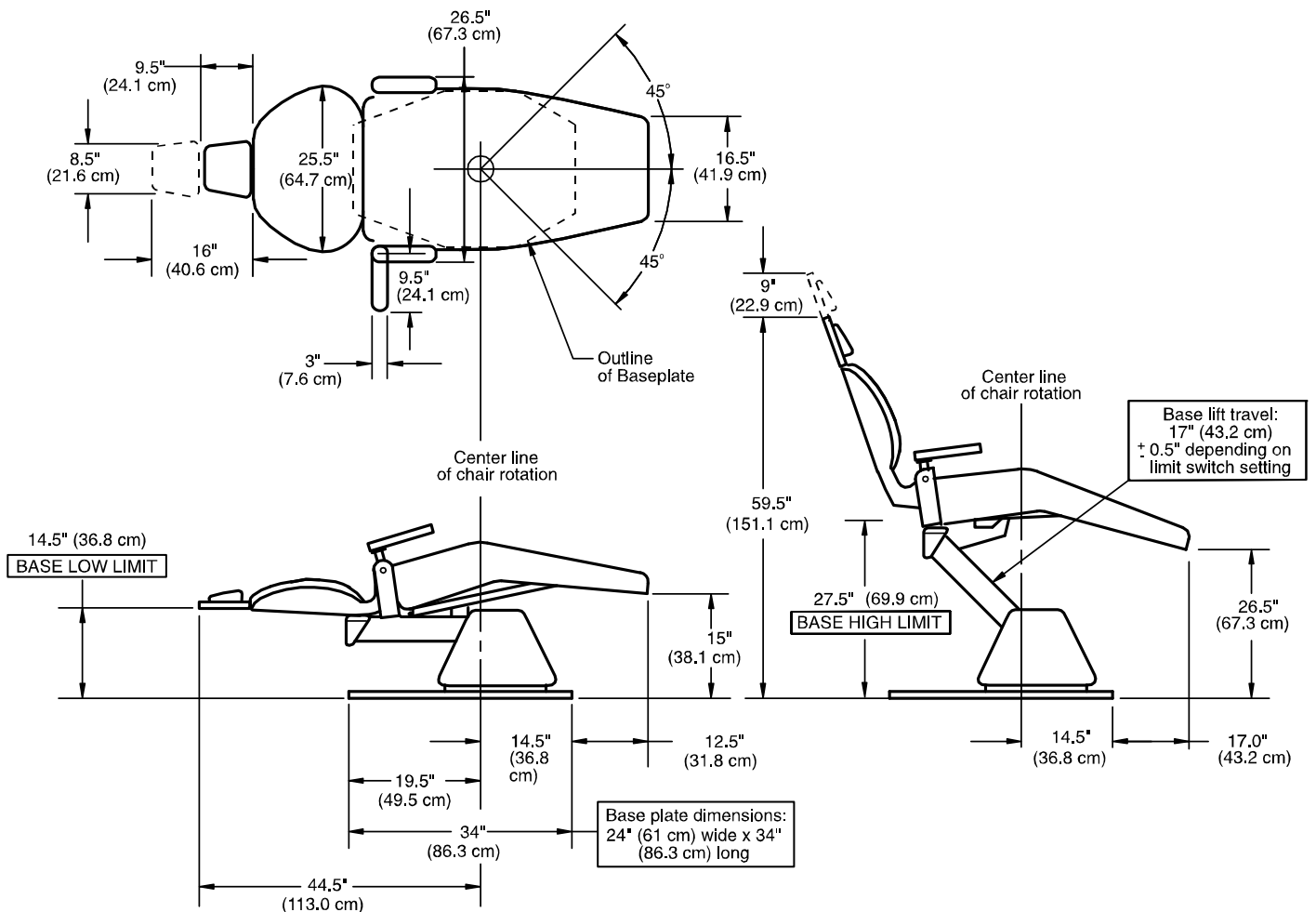


CAUTION

- Equipment not suitable for use in the presence of a flammable anesthetic mixture.
- Assure chair is attached to a dedicated circuit suited for the electrical specifications of the chair.
- Ground reliability can only be achieved if this equipment is connected to an equivalent receptacle marked "**Hospital Grade**".
- Observe all local and national electrical codes.

Note

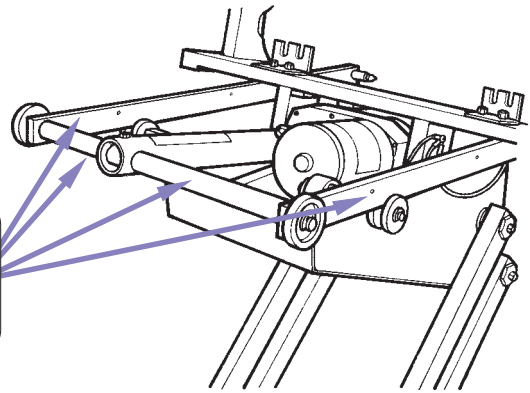
Chair should be located at least 18" (45.7 cm) from the nearest wall, cabinet, or permanent fixture when in the fully reclined position.
The chair seat moves forward 4 1/2" (11.4 cm) as the base is raised.



LIFTING RESTRICTIONS



Equipment Alert
When moving the chair, do not attempt to lift it by the motor bars or damage could occur to the motor shaft.



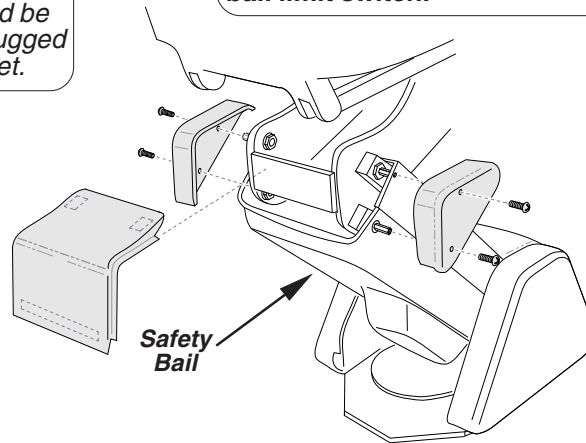
COVER INSTALLATION & CHECKING SAFETY BAIL

Note

Chair foot control should be connected and chair plugged into an appropriate outlet.

Step 1: Raise chair to its full up position.

Step 2: Install center platform cover



Equipment Alert
After covers are installed, check the operation of the Safety Bail to assure it moves freely up and down to operate the base safety bail limit switch.

Step 3: Install both side covers

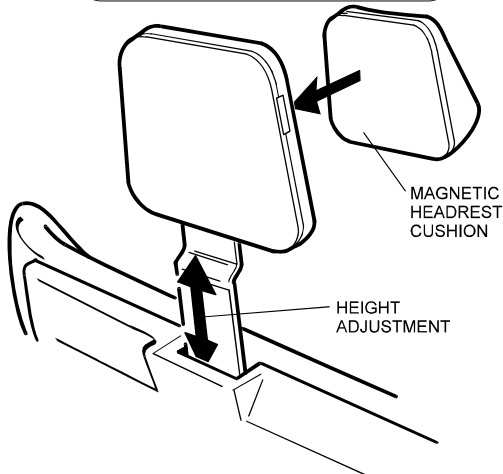
DA169400

HEADREST ADJUSTMENT

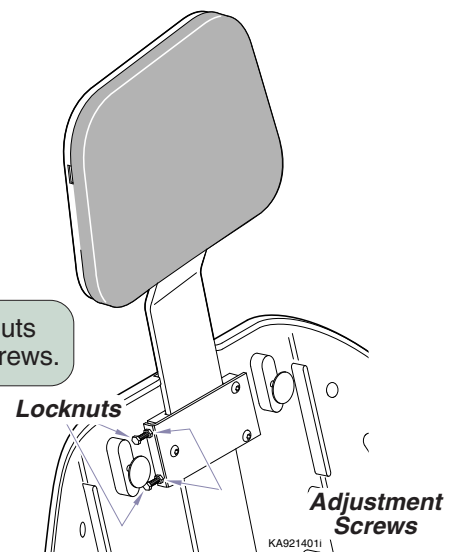
Note

The headrest adjustment bracket is pre-set at the factory and should not require adjustment.

Step 3: Place the magnetic headrest cushion in position.



Step 1: Loosen two locknuts on adjustment screws.



Step 2: Loosen or tighten adjustment screws to desired tension and retighten locknuts.

UPHOLSTERY INSTALLATION

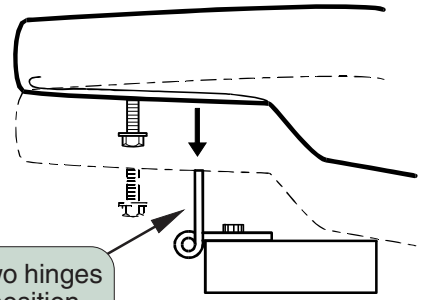
Note

Before installing upholstery, where applicable, install the L/R unit and any accessories.

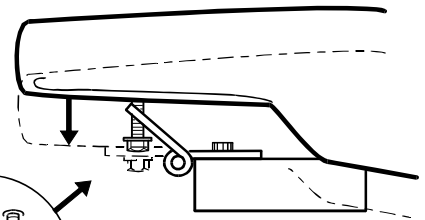
Step 1: Raise chair to highest position and recline back section approximately 45°.

Step 2: Insert four 1/4-20 x 3/4" hex head screws into bottom of seat cushion and turn in two turns.

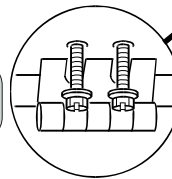
Step 3: Rotate the two hinges to a vertical position.



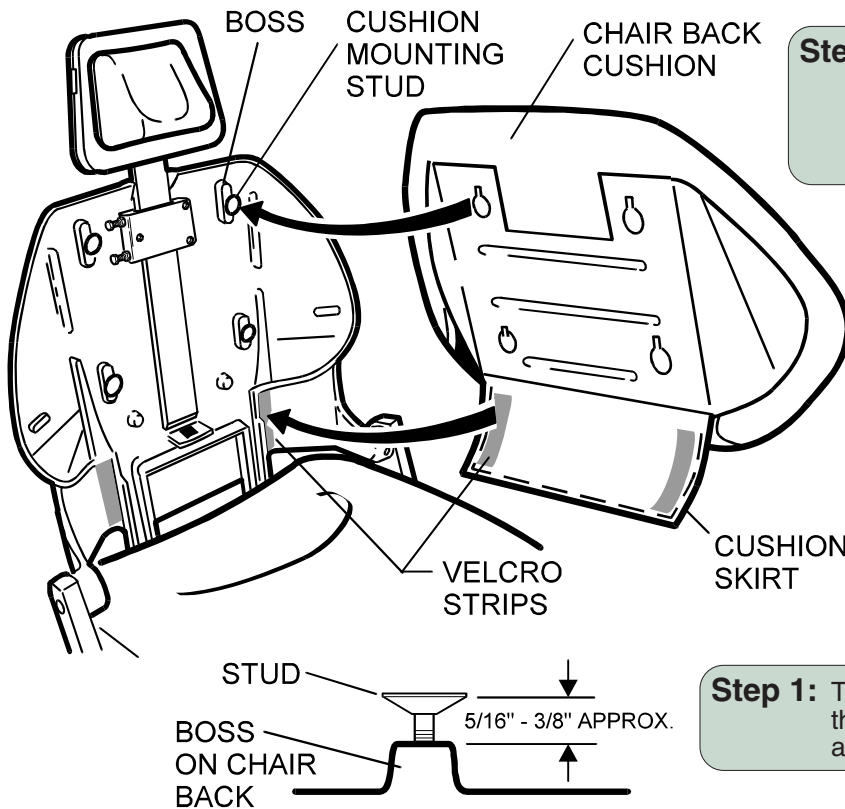
Step 4: Rotate the two hinges downward toward the hex screws, allowing the screws to slide into the slots of the hinges.



Step 5: Tighten the four screws



UPHOLSTERY INSTALLATION



Step 2: Position the back cushion on the chair aligning the four mounting studs with mounting holes. Push downward to lock cushion onto studs.

Step 3: Secure velcro strips on cushion skirt to velcro strips on chair back.

Step 1: Turn the four cushion mounting studs on the chair back counterclockwise until they are 5/16" to 3/8" from the top of the boss.

ARMREST LOCK AND UNLOCK POSITIONING

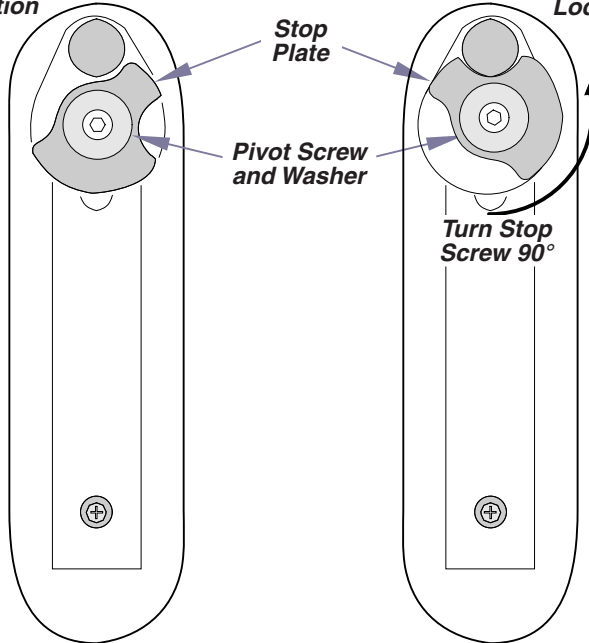
Note

We recommend disabling (locking) the swing out feature on the side of the chair opposite patient access.

Left Armrest
Swing Out Position

Left Armrest
Locked Position

Step 1: Remove pivot screw and washer on underside of armrest.



Step 2: Rotate stop plate 90°

Step 3: Reinstall the pivot screw and washer

DA169700i

ARMREST INSTALLATION

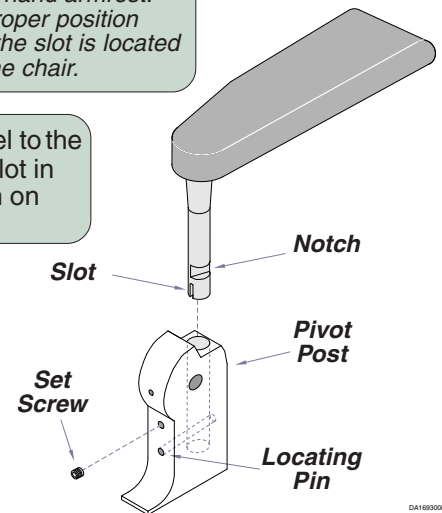
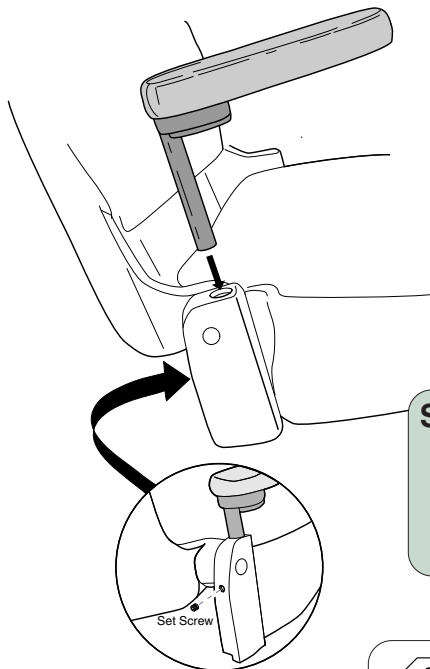
Step 1: After turning set screw outward, insert armrest in pivot post.

Note: There is a left and right hand armrest. The armrest is in the proper position when the notch above the slot is located toward the outside of the chair.

Step 2: Position the armrest parallel to the side of the chair, until the slot in the shaft locks into position on the locating pin.

Step 3: Turn the set screw in until it is tight and then back it out 1/4 turn.

Note: This adjustment allows the armrest to be lifted and rotated but prevents complete removal of the armrest.



DA169800



Equipment Alert

Never operate the armrest without the set screw in position and properly adjusted. Without the set screw in position the armrest could be positioned toward the back. If the chair were to be operated, damage could occur to the armrest or chair.

Specifications

Weights, Dimensions, Electrical Specifications

Patient Weight (Maximum) 325 lbs (147.4 kgs)

Weight of Chair:

Without Shipping Carton 355 lbs (161.0 kg)

With Packaging & Skid 367 lbs (166.5 kg)

Electrical Requirements: [See Chart]

Fuses: [See Chart]

Protection against ingress of fluids: Ordinary Equipment (IPX1)

Fire Code Ratings: All Midmark Standard Upholstery sets comply with:
California Bureau of Home Furnishing Tech. Bulletin 117.

Classifications Class 1, Type B Applied Part, Ordinary Equipment

Duty Cycle: Intermittent Operation, On 30 secs.- Off 5 min.

Certifications:

Midmark Corporation ISO 9001 Certified

Models 152192-01, 152647-01, 152375-01, ETL Classified, conforms to UL STD. 60601-1
153102-01, 153085-01 Certified to CAN/ CSA STD. C22.2 NO. 601.1

Models 152267-01, 152723-01, Conforms to EN60601-1, CE
153039-01, 153335-01

Fuse Characteristics



Caution

Only people qualified in electrical service should attempt to replace the fuse(s).
Always disconnect power to the chair before removing any component or panel.

Model Number	Input Rating (+/- 10% V)	Fuse Characteristics			
		PCB Transformer (F1)	Motor Fuses (F2, F3)	Exam Light (F5)	Main's Fuses (F6, F7)
152647-01 153102-01 152192-01 152375-01	120 VAC 50/60 Hz 8 Amps	Type T 125mA 250V	Type T 4 Amp 250V	Type T 315mA 250V	Type T 8 Amp 250V
152267-01 152723-01 153039-01 153335-01	240 VAC 50/60 Hz 4 Amps	Type T 50mA 250V	Type T 2 Amp 250V	Type T 160mA 250V	Type T 4 Amp 250V

Midmark Corporation
60 Vista Drive
P.O. Box 286
Versailles, OH 45380-0286
937-526-3662
Fax 937-526-5542
www.midmark.com



Because we care.