

222 / 223

Barrier-Free® Examination Table

Ritter®
by MIDMARK

[English](#)

[Español](#)

[Français](#)



CE

Refer to compliance chart
in this manual.

User's Guide

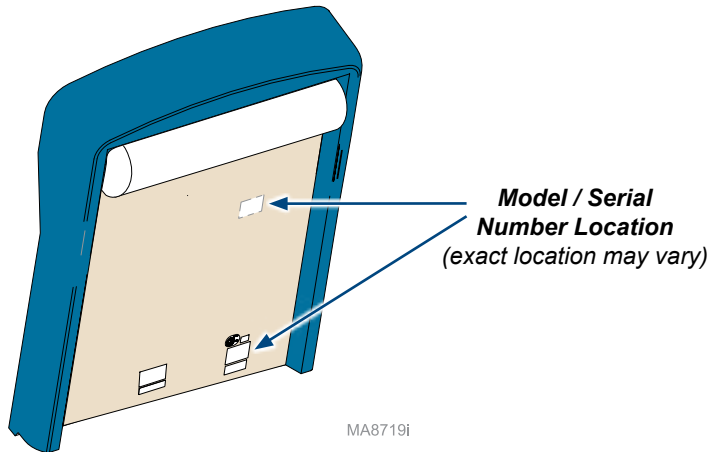
Product Information

Dealer :

Date of Purchase:

Model / Serial Number:

**Midmark Authorized Service
Company:**



Product Registration

To register your product warranty go to www.Midmark.com.

Table of Contents

Important Information

<u>Safety Symbols</u>	4
<u>Warnings</u>	5
<u>Intended Use</u>	5
<u>Electrical Requirements</u>	5
<u>Electromagnetic Interference</u>	6
<u>Disposal of Equipment</u>	6
<u>Authorized EU Representative</u>	6
<u>Transportation / Storage / Operating Conditions</u>	6
<u>Safety Instructions</u>	7

Operation

<u>Table Up / Down Operation</u>	8
<u>Back Up / Down Operation</u>	
<u>222 Model</u>	9
<u>223 Model</u>	10
<u>Exam Assistant® Drawer System</u>	11
<u>Paper Roll & Tear Strap</u>	12
<u>Stirrups</u>	13
<u>Footrest & Treatment Pan</u>	14
<u>Drawer Heater (optional)</u>	14
<u>Pelvic Tilt</u>	15
<u>Duplex Receptacle</u>	16

Maintenance

<u>Cleaning</u>	17
<u>Preventative Maintenance</u>	17
<u>Calling For Service</u>	17

Specifications

<u>Weights & Electrical Specifications</u>	18
<u>Model Identification / Compliance Chart</u>	19
<u>Range of Motion & Dimensions</u>	20

Warranty Information

<u>Limited Warranty</u>	22
---	----

Important Information

Safety Symbols



WARNING

Indicates a potentially hazardous situation which could result in serious injury.



Caution

Indicates a potentially hazardous situation which may result in minor or moderate injury. It may also be used to alert against unsafe practices



Equipment Alert

Indicates a potentially hazardous situation which could result in equipment damage.

Note

Amplifies a procedure, practice, or condition.



Duty Cycle (motor run time)
Domestic: 30 seconds ON, 5 minutes OFF
Export: 25 seconds ON, 7 minutes OFF



No Pushing



Proper shipping orientation



Keep dry



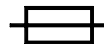
Fragile



Maximum stacking height
(palletted units)



Type B, Applied Part
(Upholstery)



Fuse rating specification



Protective earth ground



Dangerous voltage / shock hazard



Patient Weight Limit



Refer to manual

Warnings



Warning

To avoid injury, do not put head or extremities under the paper tear strap.



Warning

Connecting equipment to the multiple socket outlet effectively leads to creating a Medical Electrical System and the result can be a reduced level of safety.



Warning

Table must be positioned in normal use such that the power cords can be easily accessed to unplug.



Warning

To avoid risk of electric shock, this equipment must only be connected to a supply mains with protective earth.



WARNING

Equipment is not suitable for use in the presence of a flammable anesthetic mixture.

Clarification: Equipment is suitable for use in the presence of oxygen, air, or nitrous oxide.



Warning

No modification of this equipment is allowed.

Intended Use

This product is intended to be used as a chair / table to provide positioning and support of patients during general examinations and procedures conducted by qualified medical professionals in an office environment.

Electrical Requirements



Caution

To completely isolate the table from electrical mains supply, both power cords must be unplugged.

When using high frequency surgical devices or endocardial catheters:

- Use non-conductive material to insulate patient from metal portions of the table.*
- Consult operating instructions for the device before using in conjunction with drawer or upholstery heater.*

Failure to comply may result in electric shock or burns to patient.

Electromagnetic Interference

This product is designed and built to minimize electromagnetic interference with other devices. However, if interference is noticed between another device and this product:

- Remove interfering device from room.
- Plug chair into an isolated circuit.
- Increase separation between chair and interfering device.
- Contact Midmark if interference persists.

Disposal of Equipment

At the end of product life, the table, accessories, and other consumable goods may become contaminated from normal use. Consult local codes and ordinances for proper disposal of equipment, accessories and other consumable goods.

Authorized EU Representative

Countries in the EU should direct all questions, incidents, and complaints to Midmark's Authorized EU representative listed below.

Midmark EMEA Ltd
Beech House
First Floor, East Wing
Ancells Business Park
Fleet
Hampshire GU51 2UN
United Kingdom
Tel: + 44 (0) 1252 360 940
Fax: + 44 (0) 1252 360 941

Transportation / Storage Conditions

Ambient Temperature Range:.....+5°C to +38°C (+41°F to 100°F)
Relative Humidity.....10% to 90% (non-condensing)
Atmospheric Pressure500hPa to 1060hPa (0.49atm to 1.05atm)

Operating Conditions

Ambient Temperature Range:.....+10°C to +40°C (+50°F to 104°F)
Relative Humidity.....30% to 75% (non-condensing)
Atmospheric Pressure700hPa to 1060hPa (0.69atm to 1.05atm)

Safety Instructions



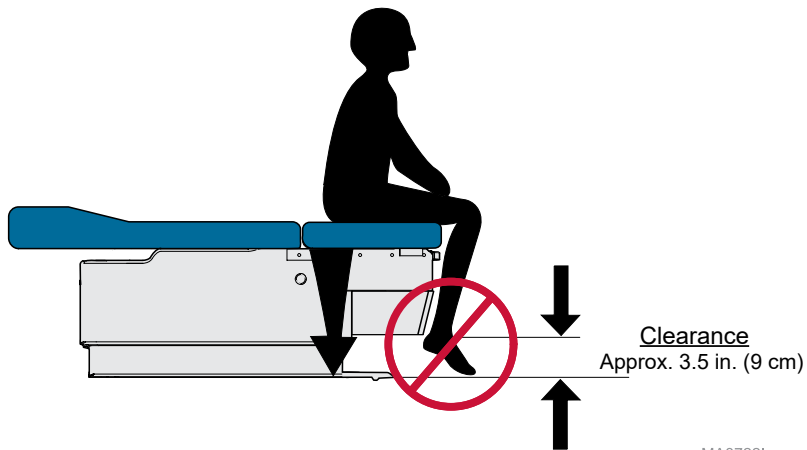
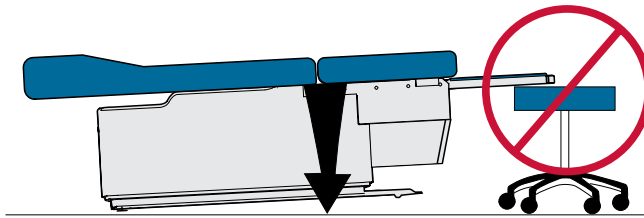
Caution

Be sure that all personnel and equipment are clear of the table before activating any function. Failure to do so could result in personal injury.

At the table's lowest height [18 in. (45.7 cm)], the clearance between the bottom of the drawer and the floor is approximately 3.5 in. (9 cm). Make sure patient (esp. feet) and all objects are clear of this area before lowering table.

If the table malfunctions, immediately release foot pedal, unplug the table power cord, and assist the patient from the table. If table continues to malfunction, call for service.

Failure to comply with these instructions may result in injury to patient and/or damage to equipment.



MA8722i

Operation

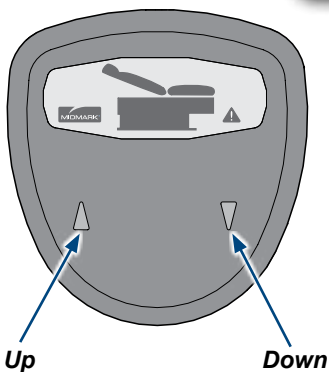
Table Up / Down Operation

Note

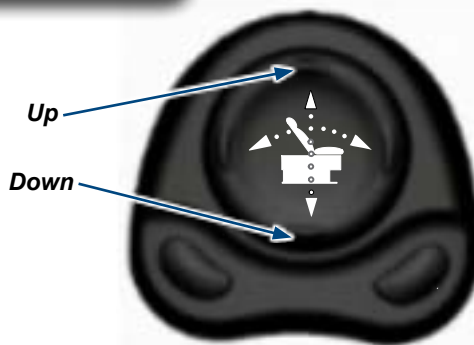
The table automatically stops at its maximum and minimum height.

To move the table Up or Down...
Press and hold the appropriate button.

222



223

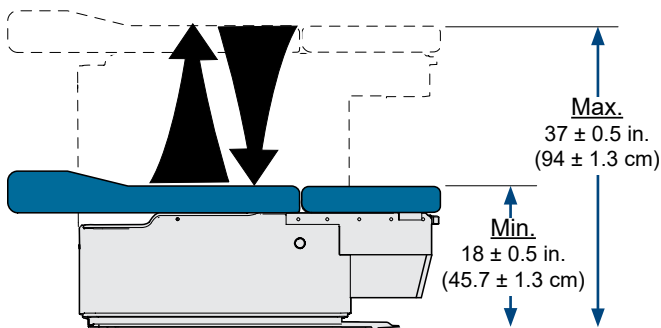


MA8741i



Equipment Alert

If the table's weight limit is exceeded, you will hear a "beep" and the function will be disabled. If the problem occurs with a normal load, contact your service technician.



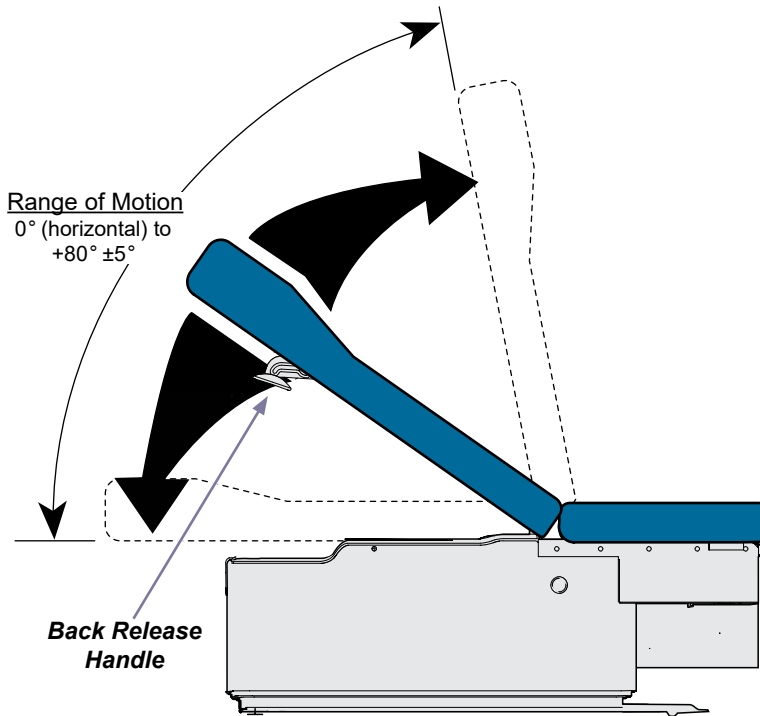
MA8723i

Operation - continued

Back Up / Down Operation - 222

To position the back section...

- A) While holding the back section in place, squeeze the Back Release Handle (either side).
- B) Move the back section.
- C) Release handle to lock back section in position.



MA8724i

Operation - continued

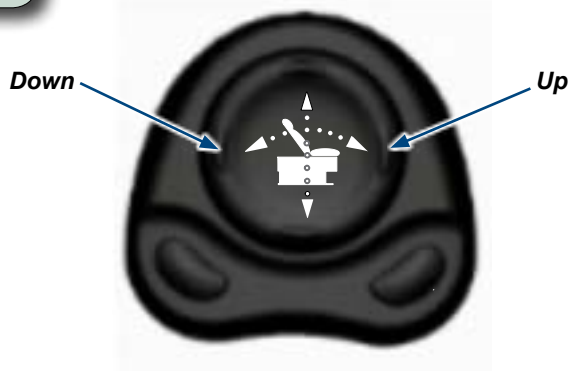
Back Up / Down Operation - 223

Note

The back section automatically stops at the top and bottom of its travel.

To position the back section...

Press and hold the appropriate button.

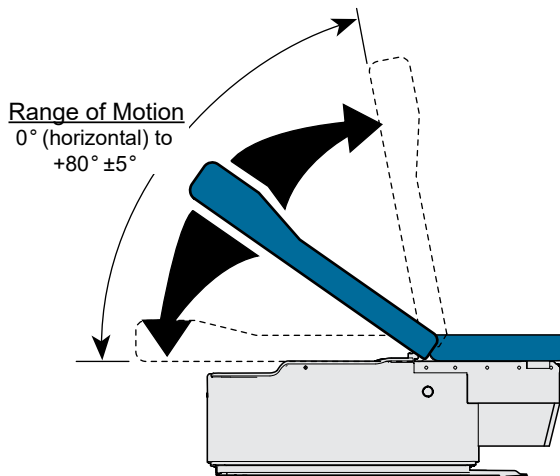


MA8728i



Equipment Alert

If the table's weight limit is exceeded, you will hear a "beep" and the function will be disabled. If the problem occurs with a normal load, contact your service technician.



MA8725i

Exam Assistant® Drawer System

To use the drawer front as a shelf...
Pull drawer front down to release the magnetic latch.

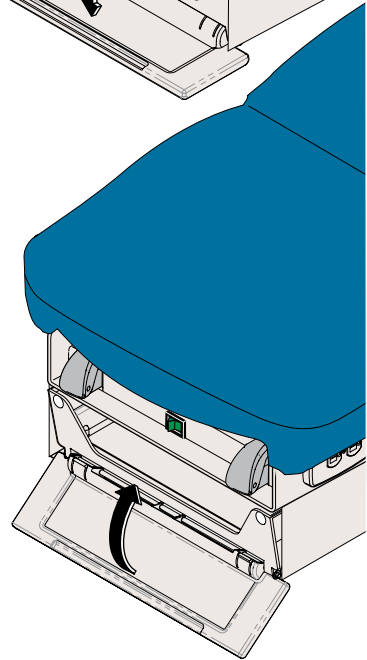
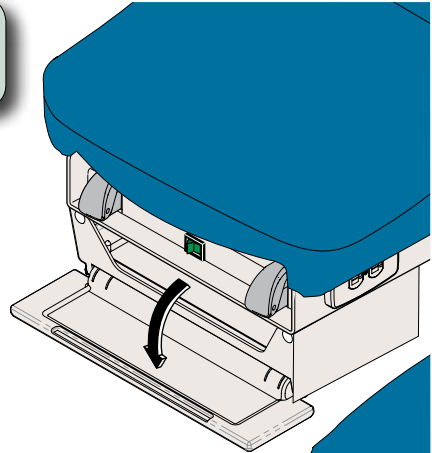


Equipment Alert
The maximum weight the shelf
will support is 10 lbs (4.5 kg).

If drawer front folds past horizontal...
Pull drawer front upward until it snaps back into
the horizontal position.



Equipment Alert
If drawer front folds past horizontal,
do not operate table.



MA8729I

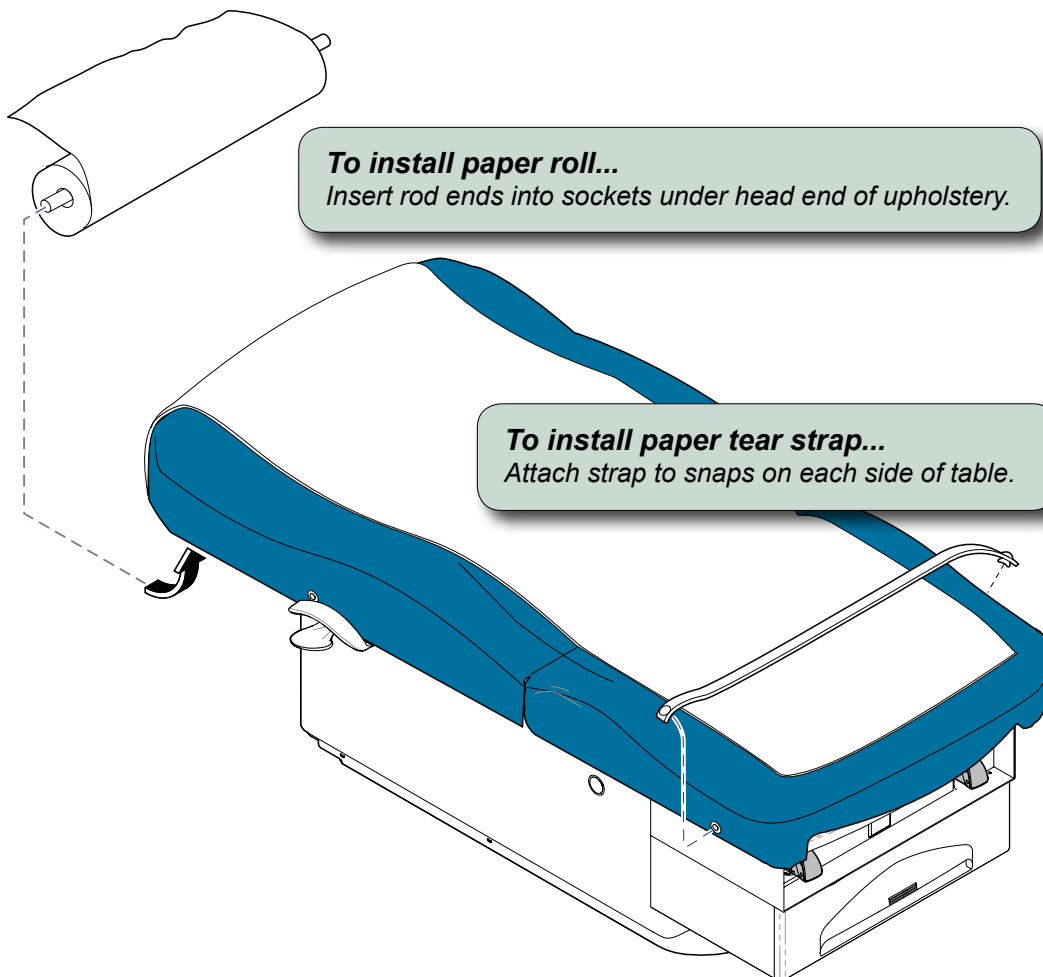
Paper Roll & Tear Strap

Note

Up to four paper rolls (max.) may be stored under the back section.

Paper Roll Size (maximum):

222 & 223 (-016).....	21 in. wide x 3.5 in. diameter (53.3 cm x 8.9 cm)
222 (-017)	19.7 in. wide x 4.7 in. diameter (50 cm x 12 cm)



MA8730i

Stirrups

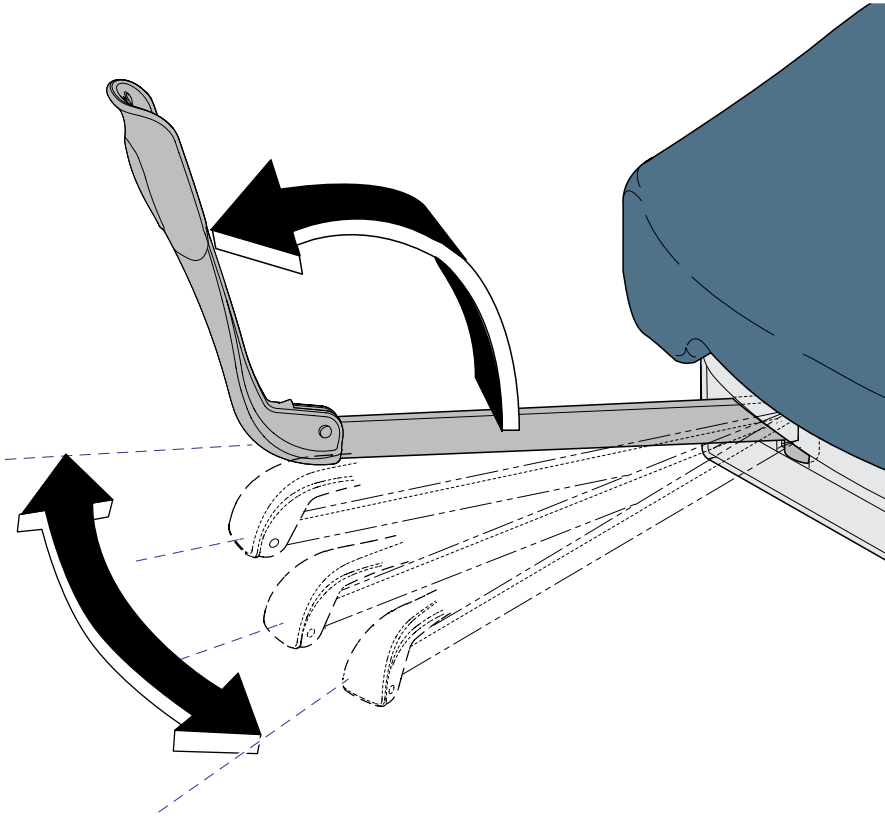


Caution

*Be sure the stirrups are locked in place before using.
The stirrups will not support the patient's entire weight.*

To position the stirrups...

- A) *Pull the stirrup out, then unfold.*
- B) *Lift the stirrup slightly, then move it left or right as desired.*
- C) *Release stirrup to lock in position.*



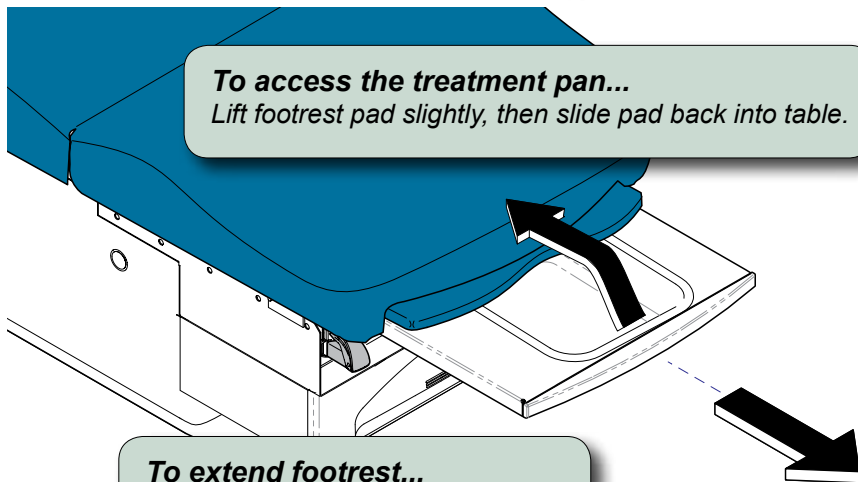
MA87311

Footrest & Treatment Pan



Caution

Do not use footrest to support patient's entire weight.



To access the treatment pan...

Lift footrest pad slightly, then slide pad back into table.

To extend footrest...

Pull footrest out to desired position.

MA8733i

Drawer Heater (optional)

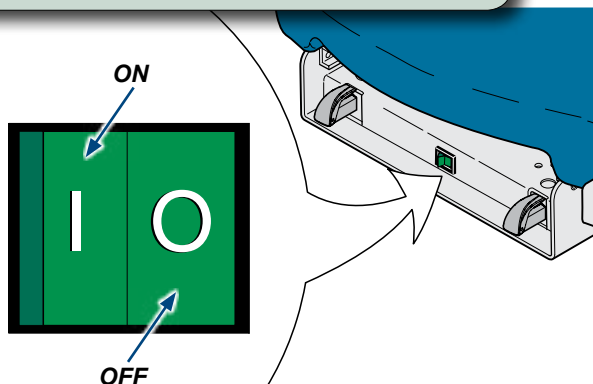
Note

The drawer heater switch illuminates when heater is ON.

The drawer heater warms the contents of the drawer to approximately 98°F (37°C).

To turn the drawer heater ON / OFF...

Press the heater switch to desired position.

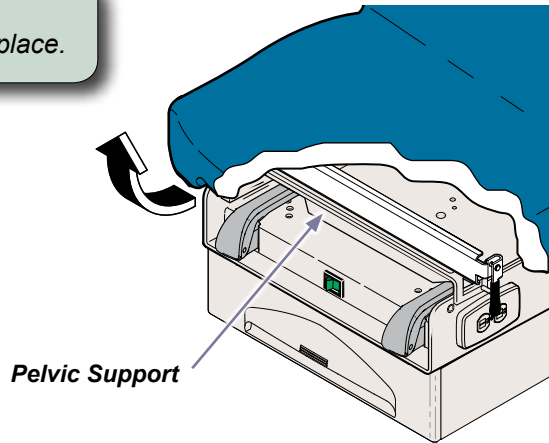


MA8734i

Pelvic Tilt

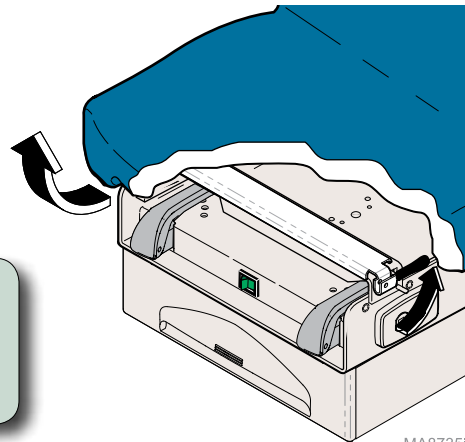
To elevate seat section...

Lift seat until pelvic support drops into place.



To return seat section to flat position...

- A) *Lift seat section slightly.*
- B) *Pivot pelvis support handle upward.*
- C) *Lower seat section.*



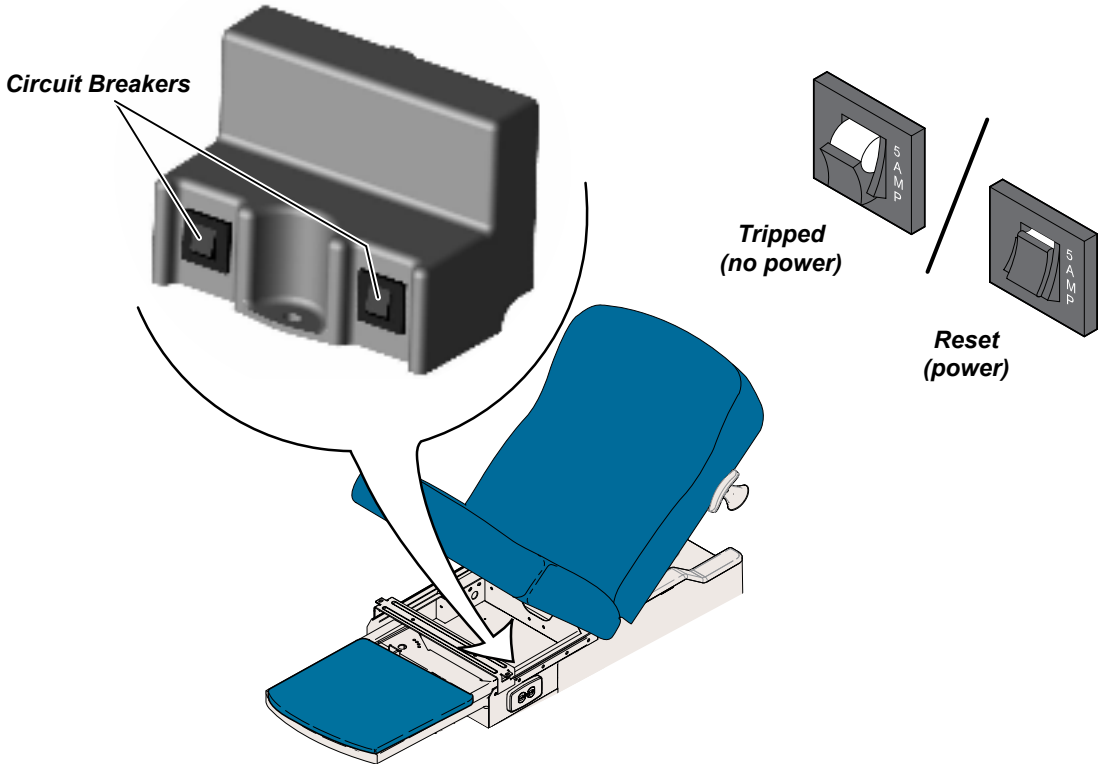
MA8735i

Duplex Receptacle (not available on 230 volt models)

The duplex receptacle on the side of the table provides power for accessories used during medical procedures. There are two circuit breakers located under the seat section. If the receptacle's maximum load is exceeded, the circuit breakers interrupt power to the receptacle.

Maximum Load:..... 115 VAC, 5 amps

To reset the circuit breaker(s)...
Push circuit breaker switch.



MA8736i

Maintenance

Cleaning

Upholstery



Equipment Alert

The upholstery is resistant to most medicinal-type stains, but may be damaged by solvents and dyes. Immediately remove any fluids spilled on the upholstery.

Wash your upholstery weekly with a mild liquid soap and water mixture, rinse with clear water and dry completely to remove disinfection cleaner build-up.

Disinfect your upholstery with a solution of standard bleach and water mixed 1 in 10 (10%) or chlorine based cleaners. Follow this with a clear water rinse and thorough drying of material. See current CDC Guideline for Disinfection & Sterilization in Healthcare Facilities.

To minimize damage caused by disinfectant cleaner residue build-up, do not allow disinfectants to pool on the upholstery surface. Once the approved contact time has been obtained, remove and dry excess liquid remaining on the surface.

Detailed care and maintenance instructions are included with your product. This information is also available on www.midmark.com in the Technical library under the User Information tab for your product.

Painted Metal / Plastic Surfaces

Clean the painted metal and plastic surfaces weekly using a clean soft cloth, and mild cleaner. Periodic applications of common furniture wax will ease cleaning, and maintain the finished luster of the surfaces.

Preventative Maintenance

Periodically inspect the following areas:

- Power cord should be free of cuts or other visible damage.
- All fasteners should be present and tightened securely.
- All mechanical functions should operate properly.

Periodically lubricate the following areas to maintain quiet, smooth, operation:

- Back hinge (*use light machine oil*).
- Footrest slide (*use household furniture wax*).

To ensure safe use of table, have a qualified service technician inspect your table every six months.

Calling For Service

Note

Model / serial number information is required when calling for service.

If service is required, contact your authorized Midmark dealer.

To contact Midmark directly:

1-800-MIDMARK (1-800-643-6275)

8:00 am until 5:00 pm Monday - Friday (EST) [excluding standard U.S. holidays]

Specifications

Weights & Electrical Specifications

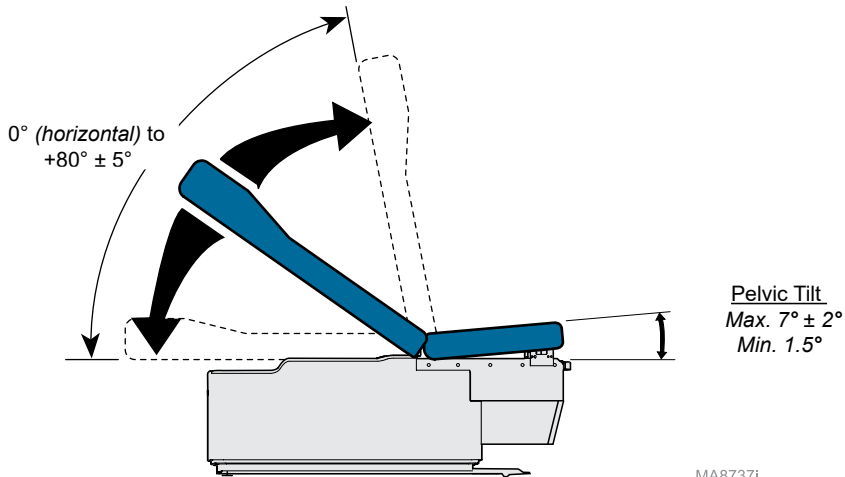
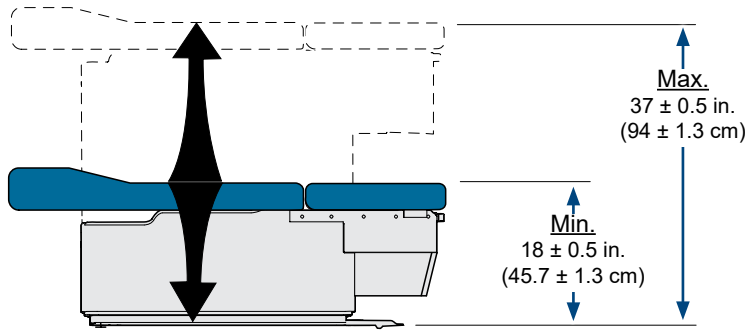
Patient Weight (<i>maximum</i>)	400 lbs (181.4 kg)
Paper Roll (<i>maximum size</i>)	(See <i>Paper Roll & Tear Strap page</i>)
Range of Motion & Dimensions	(See <i>Range of Motion & Dimensions page</i>)
Weight of Table <i>[Weights listed are for 115V models. The 230V transformer adds 14.5 lbs (6.5 kg)]</i>	
w/upholstery	325 lbs (147 kg)
w/ <i>packaging & skid (no upholstery)</i>	375 lbs (192.7 kg)
Upholstery w/<i>packaging (shipped separately)</i>	40 lbs (18.1 kg)
Power Cord(s) <i>[115V models have two cords]</i>	8 ft. (243.8 cm) long
Electrical Requirements	<i>[See Compliance Chart]</i>
Foot Control Voltage	14 VAC, SELV (Safety Extra Low Voltage)
Duplex Receptacle (<i>maximum load</i>) <i>(not available on 230 volt models)</i>	115 VAC, 5A, 50/60 Hz
Fuses <i>222/223 (all)</i> <i>F1 & F2 (on main PC board)</i> <i>F3 (on main PC board)</i> <i>F4 (on main PC board)</i> <i>223 (only)</i> <i>F5 (on main PC board)</i> <i>Models w/ drawer heater</i> <i>distribution board fuses (2)</i> <i>222 (-017)</i> <i>located next to IEC inlet (2)</i>	10A, 250V, Slo-Blo, 1/4" x 1 1/4" 5A, 250V, Slo-Blo, 1/4" x 1 1/4" 187 mA, 250V, Slo-Blo, 1/4" x 1 1/4" 4A, 250V, Slo-Blo, 1/4" x 1 1/4" 800 mA, 250V, Slo-Blo, 5 x 20 mm 4A, 250V, Slo-Blo, 5 x 20 mm
Duty Cycle (Motor Run Time)	Intermittent Operation <i>[Domestic: 30 seconds ON / 5 minutes OFF]</i> <i>[Export: 25 seconds ON / 7 minutes OFF]</i>
Receptacles / Drawer Heater	<i>Continuous Operation</i>
Classifications	Class I, Type B Applied Part Intermittent Operation <i>[Domestic: 30 seconds ON / 5 minutes OFF]</i> <i>[Export: 25 seconds ON / 7 minutes OFF]</i>
Protection against ingress of fluids	IPXO <i>[Foot Control only: IPX1]</i>

Model Identification / Compliance Chart

Model	Description	Complies To:					Electrical Ratings:		
		UL 60601-1	CAN / CSA 22.2, #601.1 - M90	IEC 60601-1	EN 60601-1-2 (EMC)	CE	VAC +/- 10%	Amps	Cycles (Hz)
222-016	Ritter Basic Table w/ Receptacle, Pelvic Tilt, & Drawer Heater	•	•	•	•		115	11	50/60
222-017	Ritter Basic Table - Export w/ Pelvic Tilt	•	•	•	•	•	230	2.75	50/60
223-016	Ritter Power Back Table w/ Receptacle, Pelvic Tilt, & Drawer Heater	•	•	•	•		115	12.5	50/60

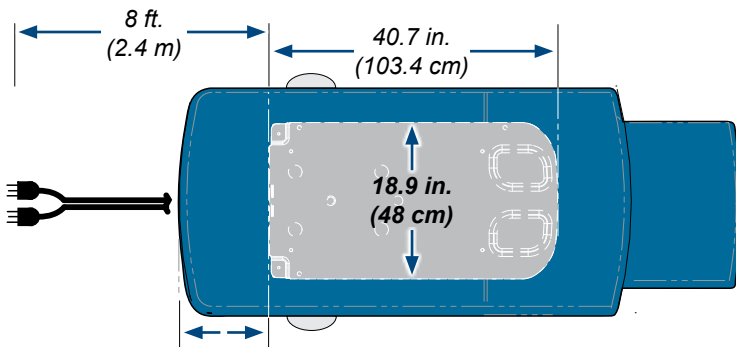
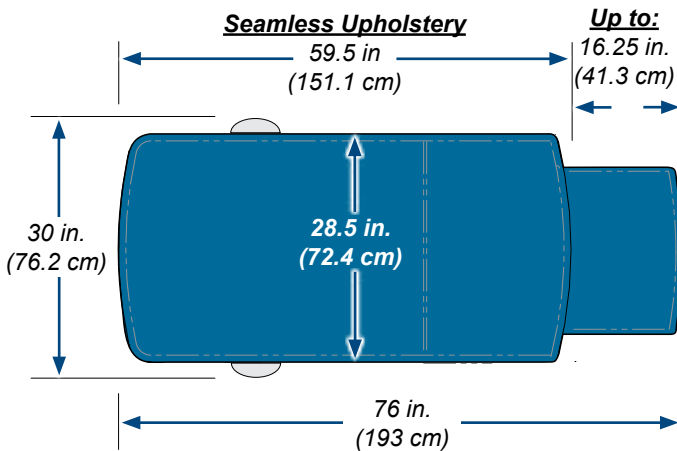
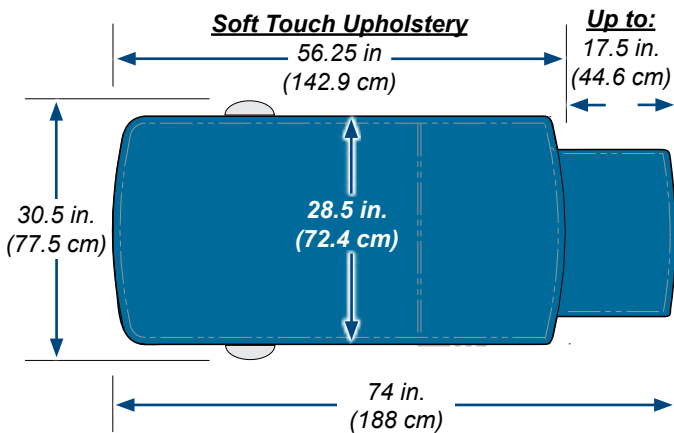
Fire Code Ratings: All upholstery complies with California Bureau of Home Furnishings Technical Bulletin 117. Optional upholstery is available that complies with California Bureau of Home Furnishing Technical Bulletin 133.

Range of Motion & Dimensions



MA87371

Range of Motion & Dimensions (continued)



Soft Touch: 12 in (30.5 cm)
Seamless: 13.5 in (34.3 cm)

MA8738i

Warranty Information

SCOPE OF WARRANTY Midmark Corporation ("Midmark") warrants to the original retail purchaser that it will, at Midmark's option, repair or replace components of the domestic and international medical products manufactured by Midmark (except for components not warranted under "Exclusions") that are defective in material or workmanship under normal use and service. The sole remedy under this limited warranty is the repair or replacement, at Midmark's option, of the applicable components. This limited warranty shall only apply to defects that are reported to Midmark within the applicable warranty period and which are determined to exist upon examination by Midmark. This warranty extends only to the original retail purchaser of a product and is not transferable or assignable. Replacement components or products may be used and/or refurbished components or products, provided they are of like quality and specifications as new components or products.

Midmark warrants to the original retail purchaser that during the applicable warranty period it will repair or replace software contained within the products manufactured by Midmark (except for those not warranted under "Exclusions") if: (1) the media on which the software is furnished exhibits defects in material or workmanship under normal use; or (2) the software does not substantially conform to its published specifications.

APPLICABLE WARRANTY PERIOD The applicable warranty period, measured from the date of invoice to the original retail purchaser of the product and shall be one (1) year for all warranted products and components.

OBTAINING WARRANTY SERVICE Warranty service must be obtained through either Midmark or an authorized dealer in the Midmark product line for which warranty service is requested. Midmark may be contacted for warranty service inquiries or issues via email at www.midmark.com; by phone at 1-800-MIDMARK or by mail to Midmark Corporation, 60 Vista Drive, Versailles, Ohio 45380. It is the retail purchaser's obligation to arrange for delivery of a product to Midmark or one of its authorized dealers for warranty service, which delivery shall be at retail purchaser's expense. It is also the retail purchaser's obligation to comply with the warranty service instructions provided either by Midmark or its authorized dealer. The retail purchaser must provide Midmark with completed warranty registration information within thirty (30) days after purchase in order to obtain the benefits of this limited warranty.

EXCLUSIONS: This limited warranty does not cover and Midmark shall not be liable for the following:

- (1) Defects, damage or other conditions caused, in whole or in part, by misuse, abuse, negligence, alteration, accident, freight damage, negligent storage, tampering or failure to seek and obtain repair or replacement in a timely manner;
- (2) Products which are not installed, used, and properly cleaned and maintained as required or recommended in the Midmark "Installation" and/or "Installation/Operation Manual" for the applicable product, including the specified structural and operational environmental conditions and electrical requirements;
- (3) Products considered to be of a consumable or sterile nature;
- (4) Accessories or parts not manufactured by Midmark;
- (5) Charges by anyone for adjustments, repairs, replacement parts, installation or other work performed upon or in connection with such products which are not expressly authorized in writing in advance by Midmark;
- (6) Costs and expenses of routine maintenance and cleaning; and
- (7) Representations and warranties made by any person or entity other than Midmark.
- (8) Matching of color, grain or texture except to commercially acceptable standards;
- (9) Changes in color caused by natural or artificial light;
- (10) Custom manufactured products;
- (11) Alterations or modifications to the product by any person or entity other than Midmark; and
- (12) Products that would otherwise be covered under this limited warranty, but are acquired: (i) from a person or entity that is not Midmark or one of its authorized dealers; or (ii) from a Midmark dealer that is not authorized to sell the product at issue in the geographic territory where the purchaser is located, or is not authorized to sell the product at issue within the medical market.

SOFTWARE; WITH RESPECT TO SOFTWARE THAT IS A PRODUCT OR COMPONENT THEREOF, MIDMARK DOES NOT WARRANT THAT THE SOFTWARE: (1) IS ERROR FREE; (2) CAN BE USED WITHOUT PROBLEMS OR INTERRUPTIONS; OR (3) IS FREE FROM VULNERABILITY TO INTRUSION OR ATTACK BY VIRUSES OR OTHER METHODS.

EXCLUSIVE REMEDY; CONSEQUENTIAL DAMAGES DISCLAIMER MIDMARK'S ONLY OBLIGATION UNDER THIS LIMITED WARRANTY IS THE REPAIR OR REPLACEMENT OF DEFECTIVE PARTS. MIDMARK SHALL NOT BE LIABLE FOR AND HEREBY DISCLAIMS ANY DIRECT, SPECIAL, INDIRECT, INCIDENTAL, EXEMPLARY OR CONSEQUENTIAL DAMAGES OR DELAYS, INCLUDING, BUT NOT LIMITED TO, DAMAGES FOR LOSS OF PROFITS OR INCOME, LOSS OF USE, LOSS OF DATA, DOWNTIME, COVER AND EMPLOYEE OR INDEPENDENT CONTRACTOR WAGES, PAYMENTS AND BENEFITS. THIS DISCLAIMER SHALL SURVIVE ANY FAILURE OR ASSERTED FAILURE OF THE ESSENTIAL PURPOSE OF THIS LIMITED WARRANTY OR ITS REMEDIES SPECIFIED HEREIN. **WARRANTY DISCLAIMER** THIS WARRANTY IS MIDMARK'S ONLY WARRANTY AND IS IN LIEU OF ALL OTHER WARRANTIES, EXPRESS OR IMPLIED. MIDMARK MAKES NO IMPLIED WARRANTIES OF ANY KIND INCLUDING ANY IMPLIED WARRANTIES OF MERCHANTABILITY OR FITNESS FOR A PARTICULAR PURPOSE. THIS WARRANTY IS LIMITED TO THE REPAIR OR REPLACEMENT OF DEFECTIVE PARTS.

STATUTE OF LIMITATIONS No action may be brought against Midmark for breach of this limited warranty, an implied warranty, if any, or for any other claim arising out of or relating to the products, more than ninety (90) days following expiration of the limited warranty period.

NO AUTHORIZATION No person or firm is authorized to create or approve for Midmark any other obligation or liability in connection with the products.

Notes:

Midmark Corporation

60 Vista Drive

Versailles, OH 45380 USA

1-800-643-6275

1-937-526-3662



Because we care.

222 / 223

Camilla de exploración Barrier-Free®

Ritter®
by MIDMARK

[English](#)

[Español](#)

[Français](#)



Consulte la tabla de
cumplimiento
de este manual.

Guía del usuario

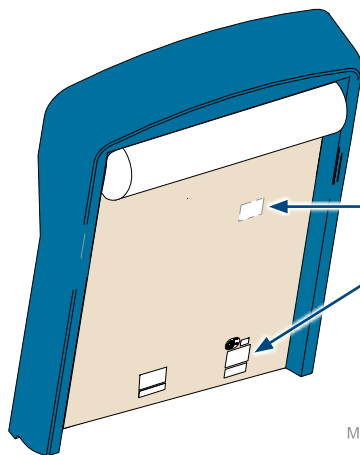
Información del producto

Distribuidor:

Fecha de compra:

Modelo / Número de serie:

**Empresa de mantenimiento
autorizada por Midmark:**



**Ubicación del Modelo/
Número de serie**
(la ubicación exacta puede cambiar)

MA8719i

Registro del producto

Para registrar la garantía de su producto visite www.Midmark.com.

Índice

Información importante

<u>Símbolos de seguridad</u>	4
<u>Advertencias</u>	5
<u>Uso indicado</u>	5
<u>Requisitos eléctricos</u>	5
<u>Interferencia electromagnética</u>	6
<u>Eliminación del equipo</u>	6
<u>Representante autorizado en la CE</u>	6
<u>Transporte/Almacenamiento/Condiciones de funcionamiento</u>	6
<u>Instrucciones de seguridad</u>	7

Funcionamiento

<u>Funcionamiento de subida y bajada de la camilla</u>	8
<u>Funcionamiento de subida y bajada del respaldo</u>	
<u>Modelo 222</u>	9
<u>Modelo 223</u>	10
<u>Sistema de cajones Exam Assistant®</u>	11
<u>Rollo de papel y cinta</u>	12
<u>Estribos</u>	13
<u>Bandeja de tratamiento y reposapiés</u>	14
<u>Calentador de cajón (opcional)</u>	14
<u>Inclinación pélvica</u>	15
<u>Tomacorriente doble</u>	16

Mantenimiento

<u>Limpieza</u>	17
<u>Mantenimiento preventivo</u>	17
<u>Contactar con el Servicio técnico</u>	17

Especificaciones

<u>Pesos y especificaciones eléctricas</u>	18
<u>Identificación del modelo/Tabla de cumplimiento</u>	19
<u>Límites de movimiento y dimensiones</u>	20

Información de la garantía

<u>Garantía limitada</u>	22
--	----

Información importante

Símbolos de seguridad



ADVERTENCIA

Indica una situación potencialmente peligrosa que podría ocasionar lesiones graves.



Precaución

Indica una situación potencialmente peligrosa que puede ocasionar lesiones leves o moderadas. También puede usarse para alertar contra prácticas peligrosas.



Alerta del equipo

Indica una situación potencialmente peligrosa que podría provocar daños en el equipo.

Nota

Desarrolla un procedimiento, una práctica o una condición.



Ciclo de trabajo (tiempo de funcionamiento del motor)
Nacional: 30 segundos ENCENDIDO,
5 minutos APAGADO
Para exportación: 25 segundos
ENCENDIDO, 7 minutos APAGADO



No empujar



Mantener seco



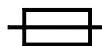
Indica la orientación correcta para el transporte



Altura máxima de apilamiento (**unidades** almacenadas)



Frágil



Especificación nominal del fusible



Tipo B, pieza aplicada (tapicería)



Voltaje peligroso / peligro de descarga eléctrica



Toma de tierra protectora



Consultar el manual



Límite de peso del paciente

Advertencias



Advertencia

Para evitar lesiones, no coloque la cabeza ni las extremidades debajo de la cinta.



Advertencia

Al conectar el equipo a una toma con enchufes múltiples se crea efectivamente un sistema médico eléctrico que puede tener como consecuencia una reducción del nivel de seguridad.



Advertencia

La camilla, en uso normal, se debe ubicar de tal forma que se pueda acceder con facilidad a los cables de alimentación para desenchufarlos.



Advertencia

Para evitar el riesgo de descarga eléctrica, este equipo debe conectarse únicamente a enchufes provistos de toma a tierra.



ADVERTENCIA

El equipo no se puede utilizar en presencia de mezclas anestésicas inflamables.

Aclaración: el equipo puede utilizarse en presencia de oxígeno, aire u óxido nítrico.



Advertencia

No se permite la modificación de este equipo.

Uso indicado

Este producto, utilizado como silla o camilla, está diseñado para proporcionar apoyo y mantener a los pacientes en posición durante reconocimientos generales y procedimientos realizados por profesionales médicos calificados en una consulta.

Requisitos eléctricos



Precaución

Para aislar completamente la camilla de la red eléctrica principal, ambos cables de alimentación deben estar desenchufados.

Cuando utilice equipos quirúrgicos de alta frecuencia o catéteres intracardiacos:

- Utilice un material no conductor para aislar al paciente de las partes metálicas de la camilla.*
- Consulte las instrucciones de funcionamiento del dispositivo antes de utilizarlo con los calentadores de cajón o tapicería.*

De lo contrario, el paciente puede sufrir una descarga eléctrica o una quemadura.

Interferencias electromagnéticas

Este producto se ha diseñado y construido para reducir al mínimo la interferencia electromagnética con otros dispositivos.

Sin embargo, si detecta interferencias entre este producto y otros dispositivos:

- Saque de la habitación el dispositivo que cause interferencia.
- Enchufe el sillón en un circuito aislado.
- Aumente la separación entre el sillón y el dispositivo que cause interferencia.
- Póngase en contacto con Midmark si persiste la interferencia.

Eliminación del equipo

Al final del ciclo de vida del producto, tanto la camilla como sus accesorios y otros consumibles podrían estar contaminados por efecto de su uso habitual. Consulte las normativas y códigos locales para la correcta eliminación de equipos, accesorios y otros productos fungibles.

Representante autorizado para la CE

Los países de la CEE deberán comunicar todos los incidentes, preguntas y quejas al representante autorizado de Midmark para la CE que se indica a continuación:

Midmark EMEA Ltd
Beech House
First Floor, East Wing
Ancells Business Park
Fleet
Hampshire GU51 2UN
United Kingdom
Tel: + 44 (0) 1252 360 940
Fax: + 44 (0) 1252 360 941

Condiciones de transporte y almacenamiento

Rango de temperatura ambiente:.....De +5 °C a +38 °C (+41 °F a 100 °F)
Humedad relativaDe 10% a 90% (sin condensación)
Presión atmosférica.....De 500 hPa a 1060 hPa (0.49 atm a 1.05 atm)

Condiciones de funcionamiento

Rango de temperatura ambiente:.....De +10 °C a +40 °C (+50 °F a 104 °F)
Humedad relativaDe 30% a 75% (sin condensación)
Presión atmosférica.....De 700 hPa a 1060 hPa (0.69 atm a 1.05 atm)

Instrucciones de seguridad



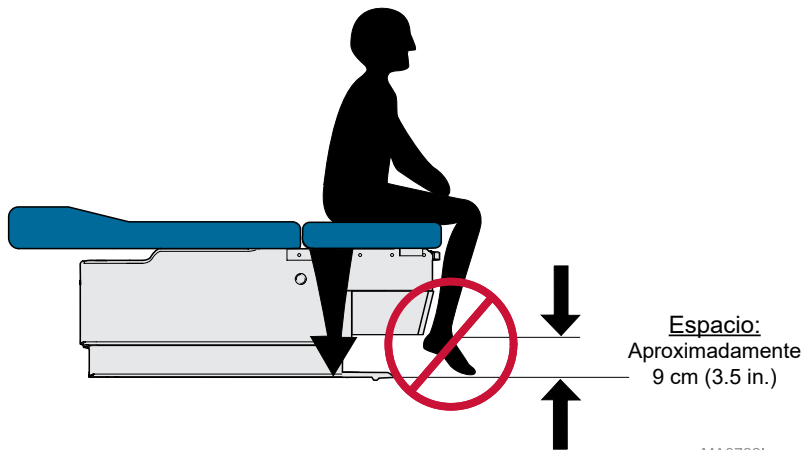
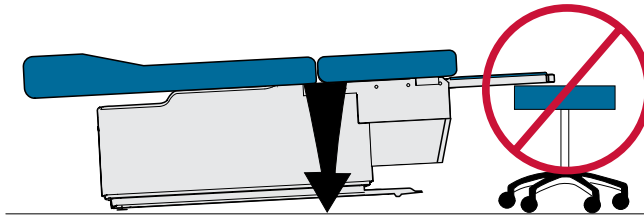
Precaución

Asegúrese de que no haya personas ni instrumental cerca de la camilla antes de activar cualquier función. Si no lo hace puede provocar lesiones personales.

A la altura más baja de la camilla [45,7 cm (18 in.)], el espacio entre la parte inferior del cajón y el piso es de aproximadamente 9 cm (3.5 in.). Asegúrese de que el paciente (especialmente sus pies) y cualquier otro objeto se encuentren fuera de esta área antes de bajar la camilla.

Si falla el funcionamiento de la camilla, libere de inmediato el pedal, desconecte el cable de alimentación y ayude al paciente a bajar de la camilla. Si la camilla continúa funcionando incorrectamente, llame al servicio técnico.

De no seguir estas instrucciones se pueden provocar lesiones al paciente o daños al equipo.



MA8722i

Funcionamiento

Funcionamiento de subida y bajada de la camilla

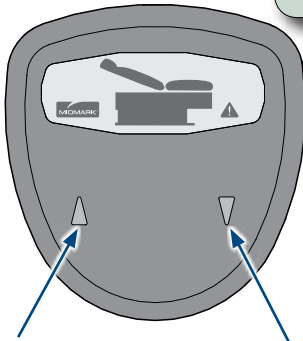
Nota

La camilla se detiene automáticamente al llegar a la altura máxima y la mínima.

Para mover la camilla hacia arriba o hacia abajo...

Mantenga presionado el botón adecuado.

222



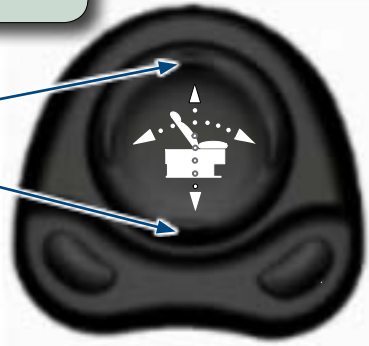
Hacia arriba

Hacia abajo

223

Hacia arriba

Hacia abajo

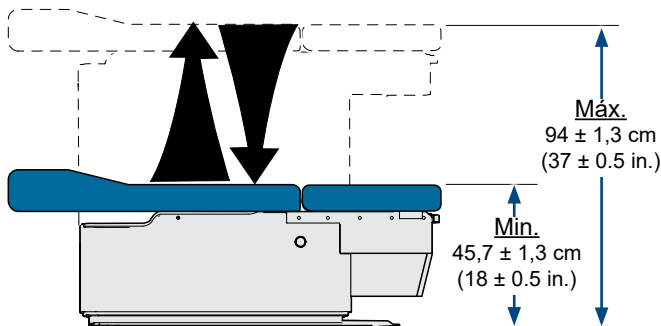


MA8741i



Alerta del equipo

Si se supera el límite de peso de la camilla, se escuchará un pitido y se desactivará la función. Si el problema se produce con una carga normal, póngase en contacto con el servicio técnico.



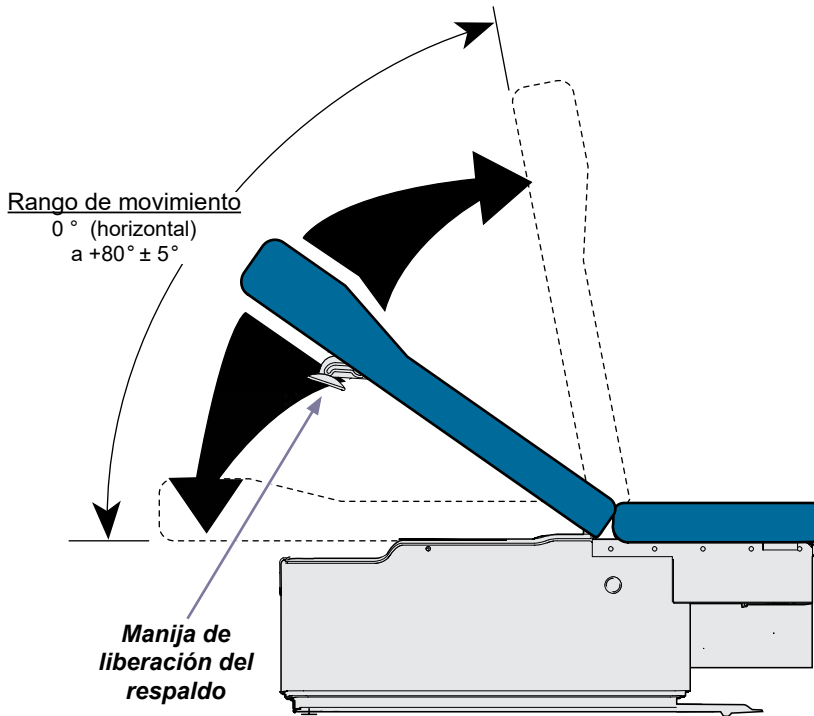
MA8723i

Funcionamiento - continuación

Funcionamiento de subida y bajada del respaldo - 222

Para colocar la sección del respaldo...

- A) Mientras sostiene la sección del respaldo en su sitio, apriete la manija de liberación del respaldo (en cualquier lado).
- B) Mueva la sección del respaldo.
- C) Libere la manija para fijar la sección del respaldo en su sitio.



MA8724i

Funcionamiento - continuación

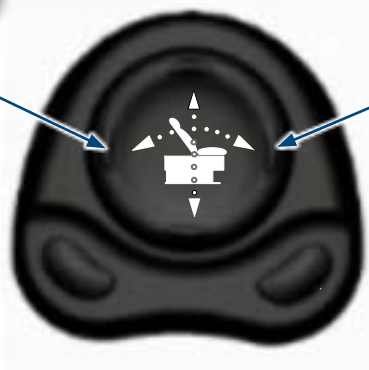
Funcionamiento de subida y bajada del respaldo - 223

Nota

La sección del respaldo se detiene automáticamente en el límite superior e inferior de su desplazamiento.

Para colocar la sección del respaldo...
Mantenga presionado el botón adecuado.

Hacia abajo



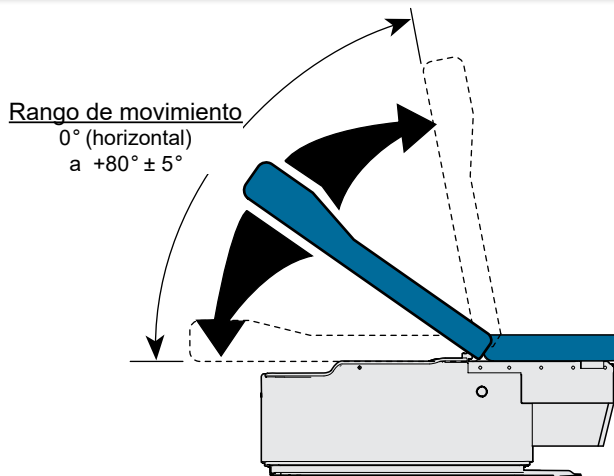
Hacia arriba

MA8728i



Alerta del equipo

Si se supera el límite de peso de la camilla, se escuchará un pitido y se desactivará la función.
Si el problema se produce con una carga normal, póngase en contacto con el servicio técnico.



MA8725i

Sistema de cajones Exam Assistant®

Para usar el frente del cajón como repisa...

Tire del frente del cajón hacia abajo para soltar el cierre magnético.



Alerta del equipo

El peso máximo que puede soportar la repisa es 4,5 kg (10 lbs.).

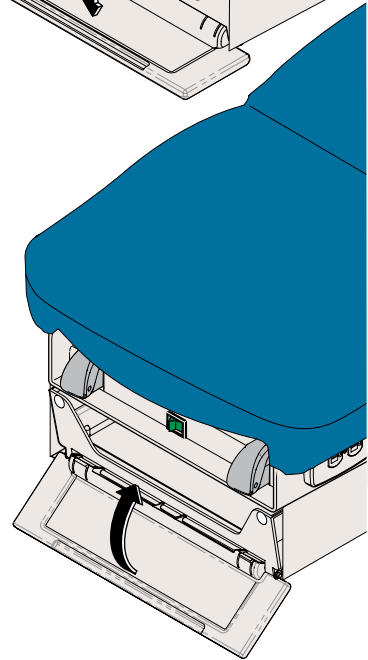
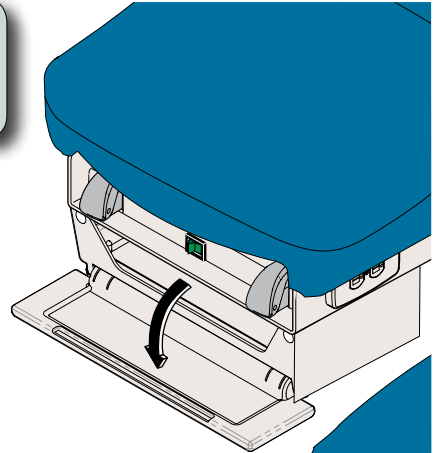
Si el frente del cajón se dobla más allá de la posición horizontal...

Tire del frente del cajón hacia arriba hasta que se trabe en la posición horizontal.



Alerta del equipo

*Si el frente del cajón se dobla más allá de la posición horizontal, **no** opere la camilla.*



MA8729I

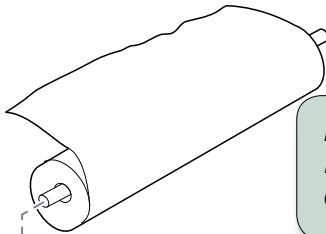
Rollo de papel y cinta

Nota

Bajo la sección del respaldo se puede almacenar un máximo de cuatro rollos de papel.

Tamaño de rollo de papel (máximo):

222 y 223 (-016)	53,3 cm de ancho x 8,9 cm de diámetro (21 in. x 3.5 in.)
222 (-017)	50 cm de ancho x 12 cm de diámetro (19.7 in. x 4.7 in.)

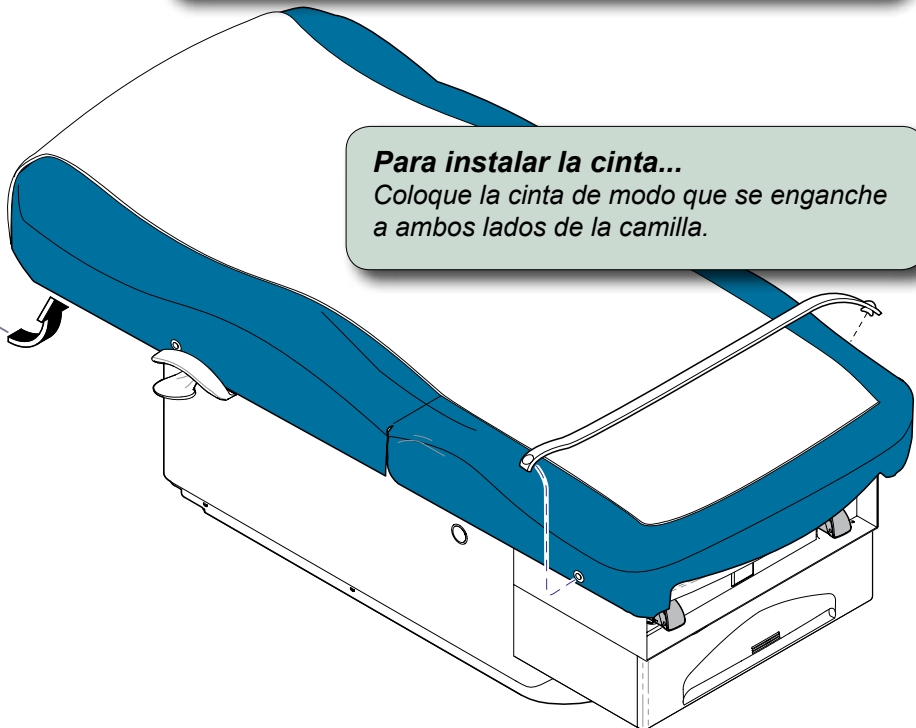


Para instalar el rollo de papel...

Inserte los extremos de la barra en los encastres debajo del extremo tapizado de la cabecera.

Para instalar la cinta...

Coloque la cinta de modo que se enganche a ambos lados de la camilla.



MA8730i

Estribos

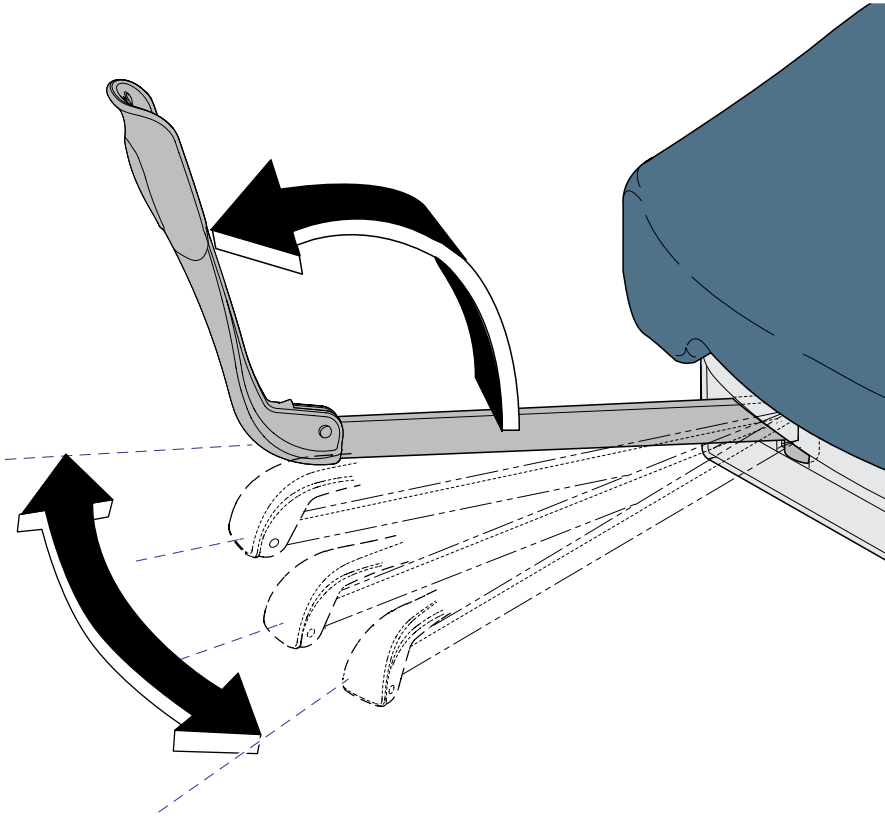


Precaución

Asegúrese de los estribos estén bloqueados en su posición antes de usar la camilla. Los estribos no están diseñados para soportar todo el peso del paciente.

Para colocar los estribos...

- A) Saque el estribo y despléguelo.*
- B) Eleve ligeramente el estribo y muévelo hacia la izquierda o la derecha, como lo desee.*
- C) Libere el estribo y fíjelo en la posición deseada.*



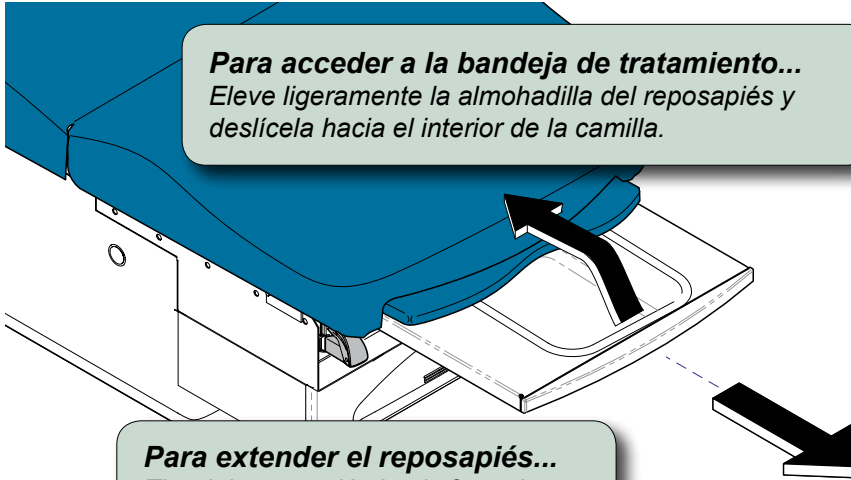
MA87311

Bandeja de tratamiento y reposapiés



Precaución

No use el reposapiés para soportar todo el peso del paciente.



Para acceder a la bandeja de tratamiento...
Eleve ligeramente la almohadilla del reposapiés y deslícela hacia el interior de la camilla.

Para extender el reposapiés...
Tire del reposapiés hacia fuera hasta la posición deseada.

MA8733i

Calentador de cajón (opcional)

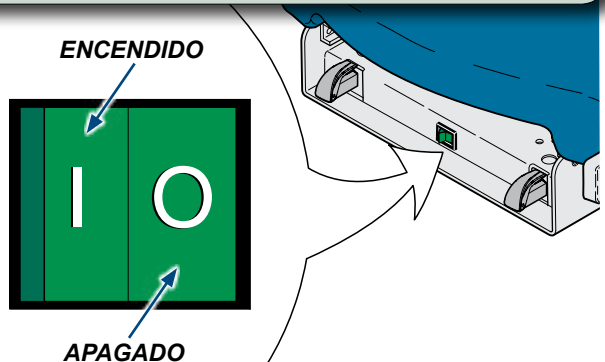
Nota

El interruptor del calentador de cajón se ilumina cuando está encendido.

Para encender y apagar el calentador de cajón...

Presione el interruptor del calentador hasta la posición deseada.

El calentador de cajón calienta el contenido del cajón hasta aproximadamente 37 °C (98 °F).

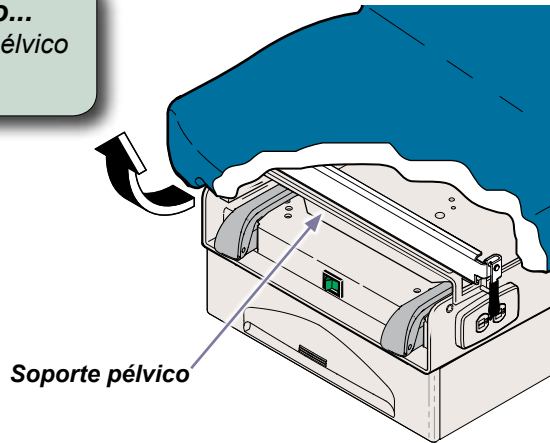


MA8734i

Inclinación pélvica

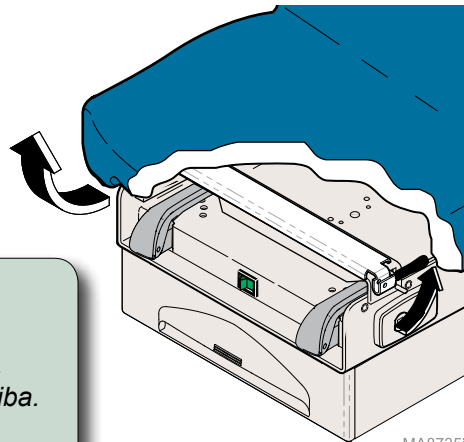
Para elevar la sección del asiento...

Eleve el asiento hasta que el soporte pélvico esté en su sitio.



Para volver a colocar la sección del asiento en posición horizontal...

- A) Levante ligeramente la sección del asiento.*
- B) Gire la manija del soporte pélvico hacia arriba.*
- C) Baje la sección del asiento.*



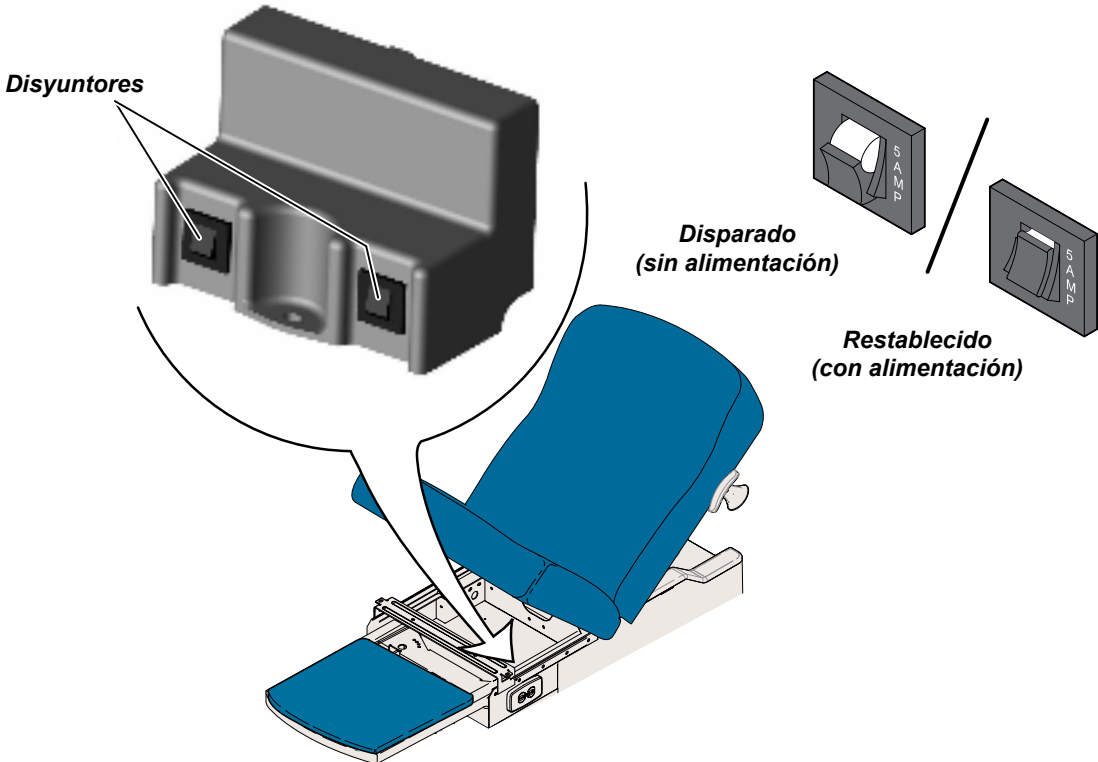
MA8735i

Tomacorriente doble (no se encuentra disponible en los modelos de 230 voltios)

El tomacorriente doble del lateral de la camilla proporciona alimentación a los accesorios que se utilizan durante los procedimientos médicos. Hay dos disyuntores situados debajo de la sección del asiento. Si se supera la carga máxima del tomacorriente, los disyuntores interrumpirán la alimentación.

Carga máxima:.....115 V CA, 5 amperios

Para restablecer el/los disyuntor(es)...
Pulse el interruptor del disyuntor.



MA8736i

Mantenimiento

Limpieza

Tapizado



Alerta del equipo

El tapizado es resistente a la mayoría de las manchas que pueden producirse con el uso médico, pero puede dañarse si se derraman tintes o disolventes sobre él. Debe secar inmediatamente los líquidos que se derramen sobre el tapizado.

Lave la tapicería semanalmente con un jabón líquido suave y mezcla de agua, enjuague con agua limpia y seque completamente para eliminar filtro desinfección.

Desinfectar el tapizado con una solución de lejía y agua mezclado 1 en 10 (10%) o limpiadores con cloro. Siga esto con un enjuague de agua clara y el secado minucioso de los materiales. Ver actual CDC directriz para la desinfección y esterilización en centros sanitarios.

Para reducir al mínimo los daños causados por limpiador desinfectante acumulación de residuos, no se debe permitir que los desinfectantes de piscina de la tapicería. Una vez aprobado el tiempo de contacto se ha obtenido, extraer y secar el exceso de líquido en la superficie.

Con el producto se incluyen instrucciones detalladas de conservación y mantenimiento. Esta información también está disponible en www.midmark.com, concretamente en la biblioteca técnica situada en el apartado "Documentación" del producto en cuestión.

Metal pintado / Superficies plásticas

Limpie el metal pintado y las superficies plásticas una vez por semana con un paño suave y limpio y utilice un producto de limpieza no abrasivo. Las aplicaciones periódicas de cera común para muebles facilitarán la limpieza y el mantenimiento del lustre del acabado de las superficies.

Mantenimiento preventivo

Revisión periódica de las siguientes áreas:

- El cable de alimentación no debe presentar cortes ni otros daños visibles.
- Todos los elementos de sujeción deben estar colocados y bien apretados.
- Todas las funciones mecánicas deben funcionar correctamente.

Con el fin de mantener un funcionamiento suave y silencioso deberá lubricar periódicamente las siguientes áreas:

- Bisagra del respaldo (*use aceite ligero para máquinas*).
- Canales laterales del reposapiés (*use cera para muebles*).

Para garantizar un uso seguro de la camilla, hágala inspeccionar por personal técnico calificado cada seis meses.

Contactar con el Servicio técnico

Nota

Cuando llame para solicitar asistencia técnica deberá indicar el modelo/número de serie.

Si necesita asistencia técnica, póngase en contacto con su distribuidor autorizado de Midmark. Para ponerse en contacto con Midmark directamente llame a:

+1-937-526-3662
de 8:00 a 17:00 de lunes a viernes
www.midmark.com

Especificaciones

Pesos y especificaciones eléctricas

Peso del paciente (máximo)	181,4 kg (400 lbs)
Rollo del papel (tamaño máximo)	<i>(Consulte la página Rollo de papel y cinta)</i>
Límites de movimiento y dimensiones	<i>(Consulte la página Límites de movimiento y dimensiones)</i>
Peso de la camilla <i>[Los pesos enumerados son para los modelos de 115 V. El transformador de 230 V añade 6,5 kg adicionales (14.5 lbs.)]</i>	
con tapicería con embalaje y plataforma <i>(sin tapicería)</i> Tapicería con embalaje <i>(se envía por separado)</i>	147 kg (325 lbs.) 192,7 kg (375 lbs.) 18,1 kg (40 lbs.)
Cable(s) de alimentación <i>[los modelos de 115 V tienen dos cables]</i>	243,8 cm de largo (8 ft.)
Requisitos eléctricos	<i>[Consulte la Tabla de cumplimiento]</i>
Voltaje del pedal de control	14 V de CA, SELV (voltaje de seguridad extra bajo)
Tomacorriente doble (carga máxima) <i>(no se encuentra disponible en los modelos de 230 voltios)</i>	115 V de CA, 5 A, 50/60 Hz
Fusibles <u>222/223 (todos)</u> <i>F1 y F2 (en la placa principal de circuito impreso)</i> <i>F3 (en la placa principal de circuito impreso)</i> <i>F4 (en la placa principal de circuito impreso)</i> <i>223 (solamente)</i> <i>F5 (en la placa principal de circuito impreso)</i> <u>Modelos con calentador de cajón</u> <i>fusibles del tablero de distribución (2)</i> <u>222 (-017)</u> <i>situado al lado de la entrada IEC (2)</i>	10 A, 250 V, Slo-Blo, 1/4" x 1 1/4" 5A, 250 V, Slo-Blo, 1/4" x 1 1/4" 187 mA, 250 V, Slo-Blo, 1/4" x 1 1/4" 4 A, 250 V, Slo-Blo, 1/4" x 1 1/4" 800 mA, 250 V, Slo-Blo, 5 x 20 mm 4 A, 250 V, Slo-Blo, 5 x 20 mm
Ciclo de utilización (Tiempo de funcionamiento del motor)	Funcionamiento intermitente <i>[Nacional: 30 segundos ENCENDIDO, 5 minutos APAGADO]</i> <i>[Exportación: 25 segundos ENCENDIDO, 7 minutos APAGADO]</i>
Tomacorrientes / Calentador de cajón	<i>Funcionamiento continuo</i>
Clasificaciones	Clase I, parte aplicada tipo B Funcionamiento intermitente <i>[Nacional: 30 segundos ENCENDIDO, 5 minutos APAGADO]</i> <i>[Exportación: 25 segundos ENCENDIDO, 7 minutos APAGADO]</i>
Protección contra la entrada de líquidos	IPXO <i>[Solo pedal de control: IPX1]</i>

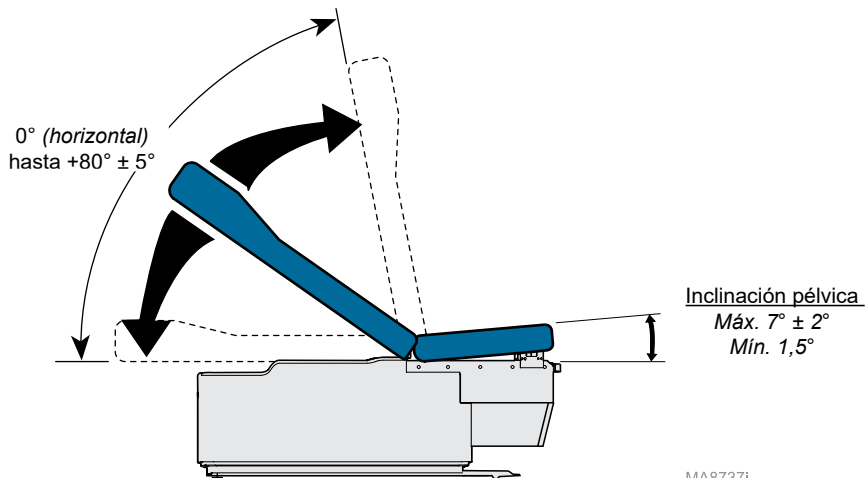
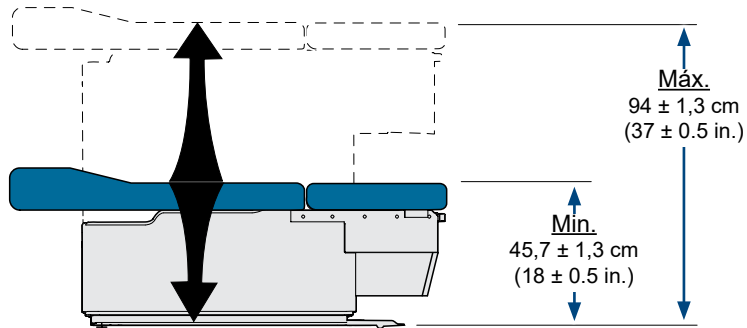
Identificación del modelo/Tabla de cumplimiento

Modelo	Descripción	Conformidad con:					Clasificaciones eléctricas:			
		UL 60601-1	CAN / CSA 22.2, #601.1-M90	IEC 60601-1	EN 60601-1-2 (EMC)	CE	V CA +/- 10 %	Am- perios	Ciclos (Hz)	
222-016	Camilla básica Ritter con tomacorriente, inclinación pélvica y calentador de cajón	•	•	•	•		115	11	50/60	
222-017	Camilla básica Ritter - para exportación con inclinación pélvica	•	•	•	•	•	230	2,75	50/60	
223-016	Camilla con respaldo mejorada Ritter con tomacorriente, inclinación pélvica y calentador de cajón	•	•	•	•		115	12,5	50/60	

Clasificación código de incendio:

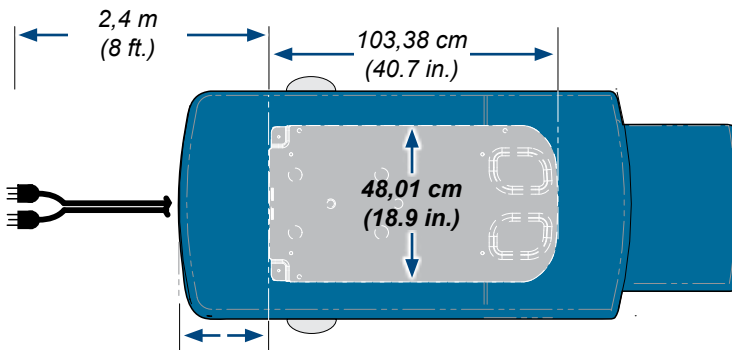
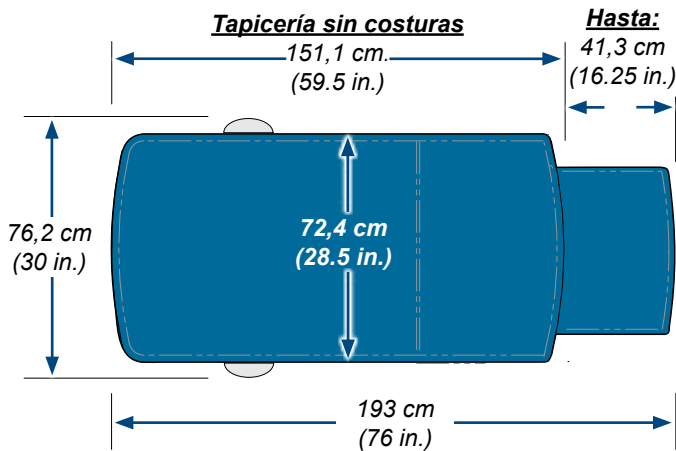
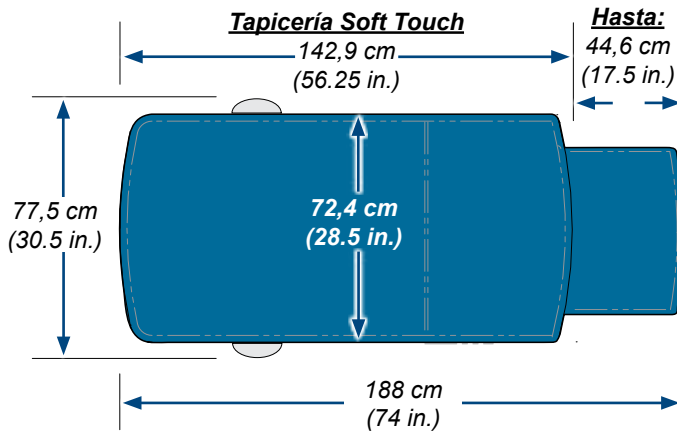
Toda la tapicería cumple con el Boletín Técnico 117 de la Oficina de California para Mobiliario del Hogar (CBHF).
 Hay tapicería opcional que cumple con el Boletín Técnico 133 de la Oficina de California para Mobiliario del Hogar (CBHF).

Límites de movimiento y dimensiones



MA87371

Límites de movimiento y dimensiones (continuación)



Soft Touch: 30,5 cm (12 in.)
Sin costuras: 34,3 cm (13.5 in.)

MA8738i

Información sobre la garantía

COBERTURA DE LA GARANTÍA. Midmark Corporation («Midmark») garantiza al comprador minorista original que reparará o reemplazará, a discreción de Midmark, los componentes de los productos médicos nacionales e internacionales fabricados por Midmark (excepto los componentes no garantizados en «Exclusiones») que contengan materiales defectuosos o fallos de mano de obra en condiciones normales de uso y servicio. La responsabilidad única en virtud de esta garantía limitada es a la reparación o la sustitución, a discreción de Midmark, de los componentes aplicables. Esta garantía limitada solo se aplicará a los defectos que se notifiquen a Midmark dentro del período de garantía y cuya existencia se llega a determinar tras un examen efectuado por Midmark. Esta garantía se expide únicamente al comprador minorista original de un producto y no es transferible ni asignable. Se pueden utilizar componentes o productos de repuesto o reformados, siempre y cuando tengan la misma calidad y especificaciones que los componentes y productos nuevos.

Midmark garantiza al comprador minorista original que, durante el período de garantía, reparará o reemplazará el software contenido en los productos fabricados por Midmark (excepto los que no estén garantizados en «Exclusiones») si: (1) los formatos en los que se proporciona el software muestran materiales defectuosos o fallos de mano de obra en condiciones normales de uso y servicio; o (2) el software no se ajusta sustancialmente a las especificaciones publicadas.

PERÍODO DE LA GARANTÍA El período de validez de la garantía de todos los productos y componentes es de un (1) año a partir de la fecha de facturación al comprador minorista original del producto.

OBTENCIÓN DEL SERVICIO DE GARANTÍA El servicio de garantía debe obtenerse a través de un distribuidor de Midmark o un distribuidor autorizado por Midmark en la línea de productos para la que se solicita el servicio de garantía. Puede contactar con Midmark para consultarle dudas o problemas sobre el servicio de garantía por correo electrónico en www.midmark.com, por teléfono al +1-937-526-3662 o por correo postal a Midmark Corporation, 60 Vista Drive, Versailles, Ohio 45380. Es obligación del comprador minorista organizar la entrega de un producto a Midmark o a uno de sus distribuidores autorizados para el servicio de garantía, la cual correrá a cargo del comprador. También es obligación del comprador minorista cumplir las instrucciones de servicio de garantía proporcionadas, ya sea por Midmark o por su distribuidor autorizado. El comprador minorista debe suministrar a Midmark la información de registro de la garantía completada en un plazo de treinta (30) días después de la compra con el fin de obtener los beneficios de esta garantía limitada.

EXCLUSIONES: Esta garantía limitada no cubre (y Midmark no es responsable de) lo siguiente:

- (1) Defectos, daños u otras condiciones causadas, en su totalidad o en parte, por el mal uso, abuso, negligencia, alteración, accidente, daños durante el transporte, almacenamiento negligente, manipulación o incapacidad de solicitar y lograr la reparación o la sustitución dentro del plazo estipulado;
- (2) Productos que no se hayan instalado, utilizado o limpiado y mantenido adecuadamente tal y como se indica o se recomienda en la «Instalación» de Midmark y/o el «Manual de instalación/uso» del producto en cuestión, incluidas las condiciones de entorno estructural y operativo y los requisitos de alimentación eléctrica;
- (3) Productos considerados de naturaleza consumible o estéril;
- (4) Accesorios o piezas no fabricados por Midmark;
- (5) Facturas de terceros en concepto de ajustes, reparaciones, piezas de recambio, instalaciones o cualquier otra modificación del producto, o relacionada con el mismo, que se hayan realizado sin la autorización previa por escrito de Midmark;
- (6) Costes y gastos de mantenimiento y limpieza rutinarios; y
- (7) Declaraciones y garantías hechas por cualquier persona o entidad que no sea Midmark.
- (8) Coincidencia de color, grano o textura, a excepción de las normas comercialmente aceptables;
- (9) Cambios en el color causados por la luz natural o artificial;
- (10) Productos fabricados a medida;
- (11) Alteraciones o modificaciones del producto efectuadas por cualquier persona o entidad que no sea Midmark; y
- (12) Productos que estarían cubiertos por esta garantía limitada pero que se hayan adquirido: (i) a través de una persona o entidad distinta a Midmark o sus distribuidores autorizados; o (ii) a través de un distribuidor de Midmark que no tenga la autorización para vender el producto en cuestión en el territorio donde se encuentre el comprador, o que no tenga la autorización para vender el producto en el sector médico.

SOFTWARE; EN RELACIÓN CON EL SOFTWARE QUE CONSTITUYA UN PRODUCTO O COMPONENTE DEL MISMO, MIDMARK NO GARANTIZA QUE EL SOFTWARE: (1) ESTÉ LIBRE DE ERRORES; (2) SE PUEDA UTILIZAR SIN PROBLEMAS NI INTERRUPCIONES; O (3) NO SEA VULNERABLE A LA INTRUSIÓN O AL ATAQUE DE VIRUS U OTROS MÉTODOS.

RESPONSABILIDAD EXCLUSIVA; DAÑOS EMERGENTES; LA ÚNICA RESPONSABILIDAD DE MIDMARK EN VIRTUD DE LA PRESENTE GARANTÍA LIMITADA ES LA DE REPARAR O SUSTITUIR LAS PIEZAS DEFECTUOSAS. MIDMARK NO SE HACE RESPONSABLE DE, Y POR LA PRESENTE RENUNCIA A, CUALESQUIERA DAÑOS DIRECTOS, ESPECIALES, INDIRECTOS, ACCIDENTALES, EJEMPLARES O CONSECUENTES, O DEMORAS, INCLUIDOS, SIN LIMITACIÓN, DAÑOS POR PÉRDIDA DE GANANCIAS O INGRESOS, PÉRDIDA DE USO, PÉRDIDA DE DATOS, TIEMPO MUERTO, COBERTURA Y SALARIOS DE EMPLEADOS O DE CONTRATISTA INDEPENDIENTE, PAGOS Y BENEFICIOS. LA PRESENTE EXENCIÓN DE RESPONSABILIDAD SERÁ VÁLIDA AUN EN CASO DE INCUMPLIMIENTO O INCUMPLIMIENTO ALLEGADO DEL OBJETIVO PRINCIPAL DE ESTA GARANTÍA LIMITADA O DE SUS RESPONSABILIDADES ESPECIFICADAS EN EL PRESENTE DOCUMENTO. EXENCIÓN DE RESPONSABILIDAD DE LA GARANTÍA ESTA ES LA GARANTÍA COMPLETA DE MIDMARK Y SUSTITUYE A CUALQUIER OTRA GARANTÍA, EXPLÍCITA O IMPLÍCITA. MIDMARK NO OFRECE GARANTÍAS IMPLÍCITAS DE NINGÚN TIPO, INCLUIDAS LAS IMPLÍCITAS DE COMERCIABILIDAD O IDONEIDAD PARA UN PROPÓSITO DETERMINADO. ESTA GARANTÍA SE LIMITA A LA REPARACIÓN O SUSTITUCIÓN DE PIEZAS DEFECTUOSAS.

ESTATUTO DE LIMITACIONES No podrá interponerse ninguna acción contra Midmark por incumplimiento de esta garantía limitada, de una garantía implícita, si las hubiere, o por cualquier otra reclamación que surja de o en relación con los productos, después de transcurridos noventa (90) días después del vencimiento del período de garantía limitada.

AUTORIZACIÓN Midmark no autoriza a ninguna persona ni empresa a imponer ni aprobar ninguna otra obligación ni responsabilidad en relación con los productos.

Notas:

Midmark Corporation

60 Vista Drive

Versailles, OH 45380 EE. UU.

1-800-643-6275

1-937-526-3662



Because we care.

222/223

Table d'examen Barrier-Free®

Ritter®
by MIDMARK

[English](#)

[Español](#)

[Français](#)



CE

Reportez-vous aux
consignes de sécurité
dans ce manuel.

Guide de l'utilisateur

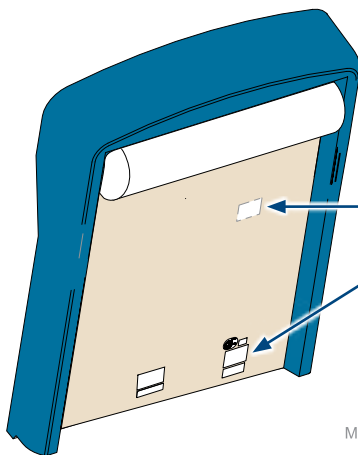
Informations produit

Revendeur :

Date d'acquisition :

Numéro de modèle/de série :

Société de service après-vente agréée Midmark :



**Emplacement du numéro
du modèle/de la série**
(l'emplacement exact peut varier)

MA8719i

Enregistrement du produit

**Pour enregistrer la garantie de votre produit,
visitez le site www.midmark.com.**

Table des matières

Renseignements importants

<u>Symboles de sécurité</u>	4
<u>Avertissements</u>	5
<u>Utilisation prévue</u>	5
<u>Alimentation électrique</u>	5
<u>Interférences électromagnétiques</u>	6
<u>Mise au rebut de l'équipement</u>	6
<u>Représentant CE autorisé</u>	6
<u>Conditions de transport, de stockage et d'utilisation</u>	6
<u>Consignes de sécurité</u>	7

Fonctionnement

<u>Réglage de la hauteur de la table</u>	8
<u>Réglage du dossier</u>	
<u>Modèle 222</u>	9
<u>Modèle 223</u>	10
<u>Tiroir Exam Assistant®</u>	11
<u>Pose du rouleau de papier et de la sangle de maintien</u>	12
<u>Étriers</u>	13
<u>Repose-pied et cuvette</u>	14
<u>Élément chauffant du tiroir (en option)</u>	14
<u>Surélévation du bassin</u>	15
<u>Prise de courant double</u>	16

Entretien

<u>Nettoyage</u>	17
<u>Entretien préventif</u>	17
<u>Service après-vente</u>	17

Caractéristiques techniques

<u>Poids et caractéristiques électriques</u>	18
<u>Identification du modèle/Tableau de conformité</u>	19
<u>Amplitude de mouvement et dimensions</u>	20

Renseignements sur la garantie

<u>Garantie limitée</u>	22
-------------------------------	----

Renseignements importants

Symboles de sécurité



AVERTISSEMENT

Signale un danger potentiel qui pourrait entraîner des blessures graves.



Attention

Signale un danger potentiel qui risque d'entraîner des blessures modérées ou mineures. Il peut également servir à signaler à l'utilisateur des pratiques dangereuses.



Avertissement relatif à l'équipement

Signale un danger potentiel qui pourrait endommager le matériel.

Remarque

Attire l'attention sur une procédure, une pratique ou une situation.



Cycle d'utilisation (cycle du moteur)

Modèle domestique : 30 secondes activé,
5 minutes désactivé

Modèle exportation : 25 secondes activé,
7 minutes désactivé



Orientation correcte pour transport



Fragile



Type B, partie appliquée
(garniture)

Mise à la terre de protection



Poids limite du patient



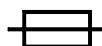
Ne pas pousser



Conserver au sec



Hauteur maximale d'empilage
(palettes empilées)



Calibre des fusibles



Tension dangereuse /
risque d'électrocution



Consulter le manuel

Avertissements



Avertissement

Pour éviter toute blessure, ne pas placer la tête ou les extrémités sous la bande de déchirure du papier.



Avertissement

Le branchement de l'équipement dans une prise multiple entraîne en fait à la création d'un système électromédical, susceptible de résulter en une réduction du niveau de sécurité.



Avertissement

Dans le cadre d'une utilisation normale, la table doit être installée de sorte à permettre un accès aisé aux cordons d'alimentation afin de les débrancher.



Avertissement

Pour éviter le risque d'électrocution, branchez cet équipement uniquement dans une prise secteur reliée à la terre.



AVERTISSEMENT

Le matériel ne doit pas être utilisé à proximité d'un mélange anesthésique inflammable.

Clarification : Cet équipement convient à l'utilisation en présence d'oxygène, d'air ou de protoxyde d'azote.



Avertissement

Aucune modification de cet équipement n'est autorisée.

Utilisation prévue

Ce produit est destiné à être utilisé comme un fauteuil ou une table afin de permettre le placement et le support du patient lors d'une procédure ou d'un examen général exécuté par un professionnel de la santé qualifié dans un bureau.

Alimentation électrique



Attention

Pour que la table soit complètement isolée du réseau électrique, les deux cordons d'alimentation doivent être débranchés.

En cas d'utilisation d'appareils chirurgicaux à haute fréquence ou de cathéters endocardiques :

- *Utilisez un matériau non conducteur pour isoler le patient des parties métalliques de la table.*
- *Consultez les instructions d'utilisation de l'appareil avant de l'utiliser avec le tiroir ou l'élément chauffant de garniture.*

Tout manquement à cette recommandation peut provoquer une électrocution ou des brûlures au patient.

Interférences électromagnétiques

Ce produit est conçu et construit pour minimiser les interférences électromagnétiques avec d'autres appareils. Cependant, en cas d'interférences entre un autre appareil et ce produit :

- Retirez de la pièce l'appareil qui crée les interférences.
- Branchez le fauteuil sur un circuit isolé.
- Imposez une distance entre le fauteuil et l'appareil qui crée les interférences.
- Contactez Midmark si les interférences persistent.

Mise au rebut de l'équipement

À la fin de la durée de vie du produit, la table, les accessoires et autres fournitures peuvent devenir contaminés dans le cadre d'une utilisation normale. Consultez les codes et les arrêtés locaux pour vous renseigner sur la mise au rebut appropriée de l'équipement, des accessoires et autres fournitures.

Représentant EU autorisé

Au sein de l'Union européenne, toutes les questions, tous les incidents et toutes les plaintes doivent être adressés au représentant EU autorisé de Midmark indiqué ici :

Midmark EMEA Ltd
Beech House
First Floor, East Wing
Ancells Business Park
Fleet
Hampshire GU51 2UN
United Kingdom
Tel: + 44 (0) 1252 360 940
Fax: + 44 (0) 1252 360 941

Transport et conditions de stockage

Plage de températures ambiantes :.....De +5 °C à +38 °C (de +41 °F à 100 °F)
Humidité relative.....de 10 % à 90 % (sans condensation)
Pression atmosphérique.....500 hPa à 1 060 hPa (0.49 atm à 1.05 atm)

Conditions d'utilisation

Plage de températures ambiantes :.....De +10 °C à +40 °C (de +50 °F à 104 °F)
Humidité relative.....de 30 % à 75 % (sans condensation)
Pression atmosphérique.....de 700 hPa à 1 060 hPa (0.69 atm à 1.05 atm)

Consignes de sécurité



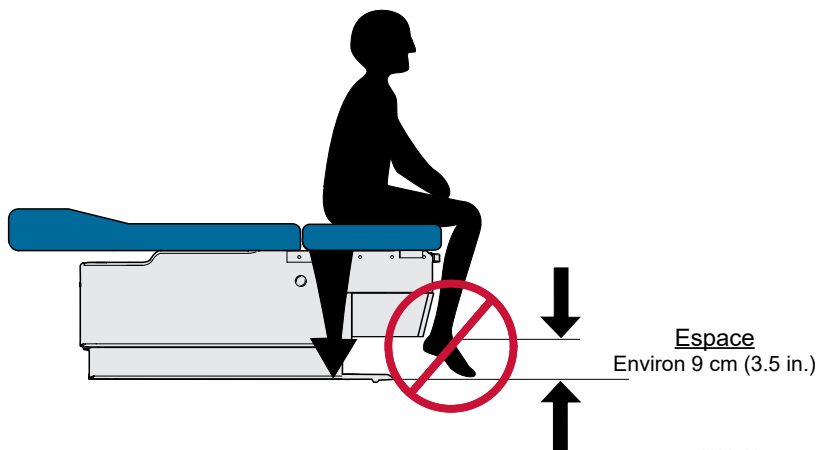
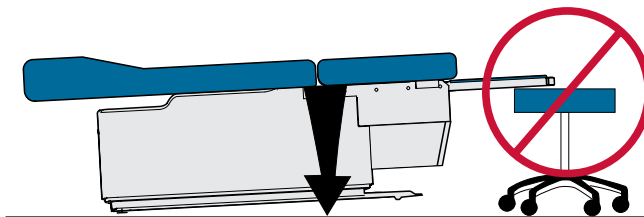
Attention

Veillez à ce que tout membre du personnel et tout équipement soient éloignés de la table avant d'activer une fonction. Tout manquement à cette recommandation peut entraîner des blessures.

Lorsque la table est abaissée au maximum [45,7 cm (18 in.)], l'espace entre le bas du tiroir et le sol est d'environ 9 cm (3.5 in.). Éloignez le patient (*notamment ses pieds*) et tout objet de cette zone avant d'abaisser la table d'examen.

Si la table d'examen ne fonctionne pas correctement, relâchez immédiatement la pédale, débranchez le cordon d'alimentation et aidez le patient à descendre de la table. Si le dysfonctionnement persiste, contactez le service après-vente.

Il est impératif de respecter ces instructions pour éviter toute blessure au patient et/ou dommage matériel.



MA8722i

Fonctionnement

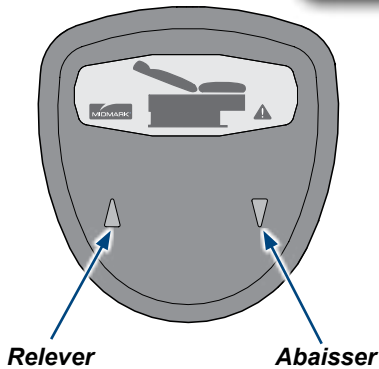
Réglage de la hauteur de la table

Remarque

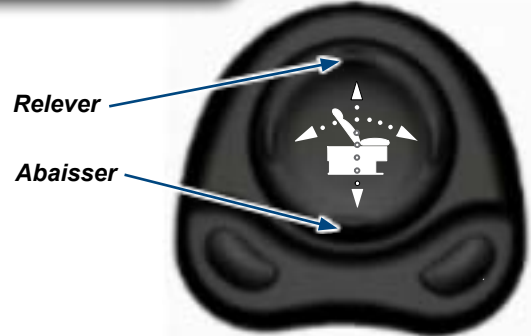
La table s'arrête automatiquement lorsqu'elle atteint sa hauteur maximale de relevage ou d'abaissement.

Pour relever ou abaisser la table...
Maintenez enfoncé le bouton approprié.

222



223

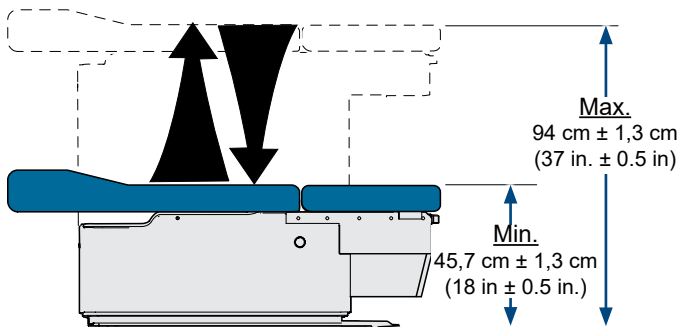


MA8741i



Avertissement relatif à l'équipement

Si le poids limite que peut supporter la table est dépassé, vous entendez un bip et la fonction est désactivée. Si le problème survient en charge normale, contactez votre technicien de maintenance.



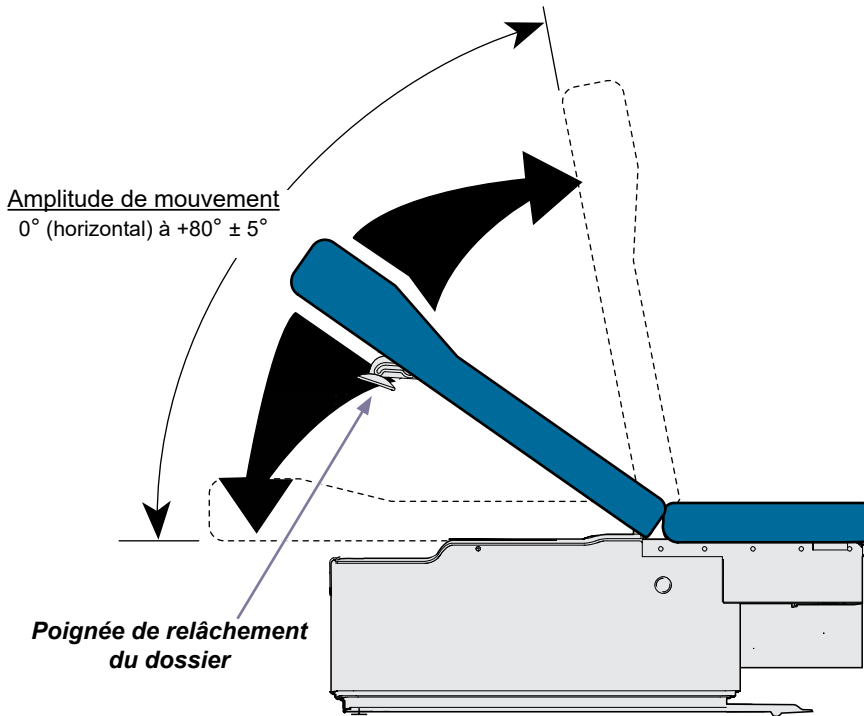
MA8723i

Réglages - suite

Réglage du dossier - 222

Pour positionner le dossier...

- A) *Tout en maintenant le dossier en place, serrez la poignée de relâchement du dossier (d'un côté de la table).*
- B) *Positionnez le dossier.*
- C) *Relâchez la poignée pour bloquer le dossier.*



MA8724i

Réglages - suite

Réglage du dossier - 223

Remarque

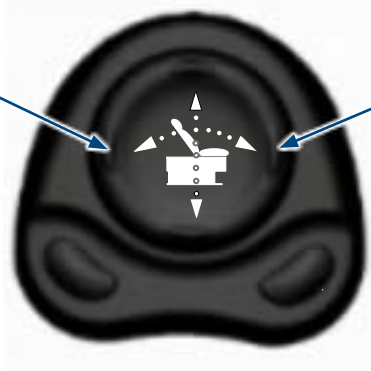
Le dossier s'arrête automatiquement lorsqu'il atteint sa hauteur extrême de relevage ou d'abaissement.

Pour positionner le dossier...

Maintenez enfoncé le bouton approprié.

Abaissier

Relever



MA8728i

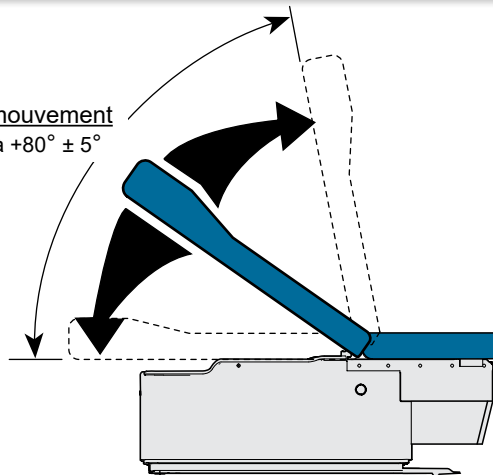


Avertissement relatif à l'équipement

Si le poids limite que peut supporter la table est dépassé, vous entendez un bip et la fonction est désactivée. Si le problème survient en charge normale, contactez votre technicien de maintenance.

Amplitude de mouvement

0° (horizontal) à +80° ± 5°



MA8725i

Tiroir Exam Assistant®

Pour utiliser le panneau avant du tiroir comme tablette...

Abaissez le panneau avant du tiroir pour relâcher le verrou magnétique.



Avertissement relatif à l'équipement

La tablette supporte un poids maximal de 4,5 kg (10 lbs).

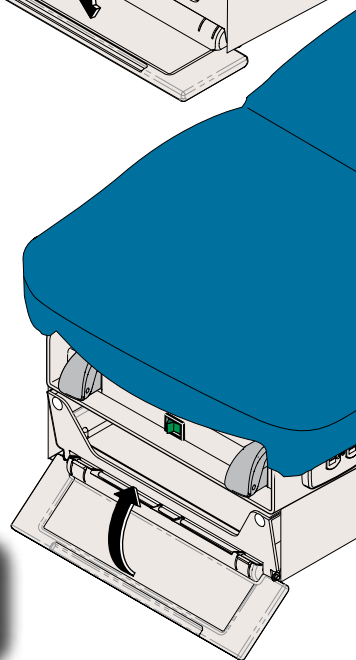
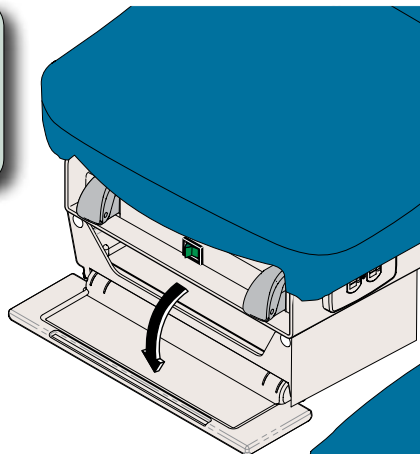
Si le panneau avant du tiroir plie vers le bas...

Tirez le panneau avant du tiroir vers le haut jusqu'à ce qu'il s'enclenche en position horizontale.



Avertissement relatif à l'équipement

Si le panneau avant du tiroir plie vers le bas, **ne faites pas fonctionner la table.**



MA8729I

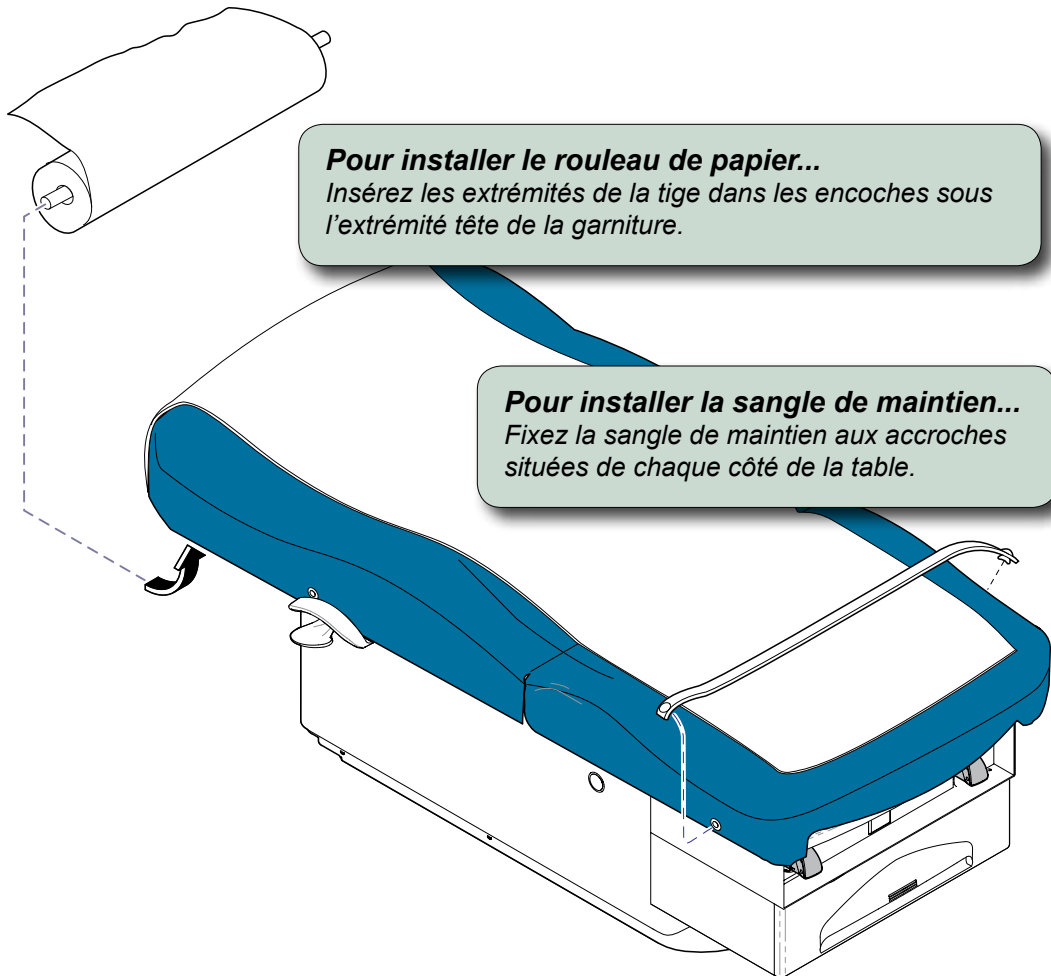
Pose du rouleau de papier et de la sangle de maintien

Remarque

Il est possible de ranger un maximum de quatre rouleaux de papier sous le dossier.

Taille du rouleau de papier (max.) :

222 et 223 (-016)	53,3 cm de large x 8,9 cm de diamètre (21 in. x 3.5 in.)
222 (-017)	50 cm de large x 12 cm de diamètre (19,7 in. x 4.7 in.)



MA8730i

Étriers

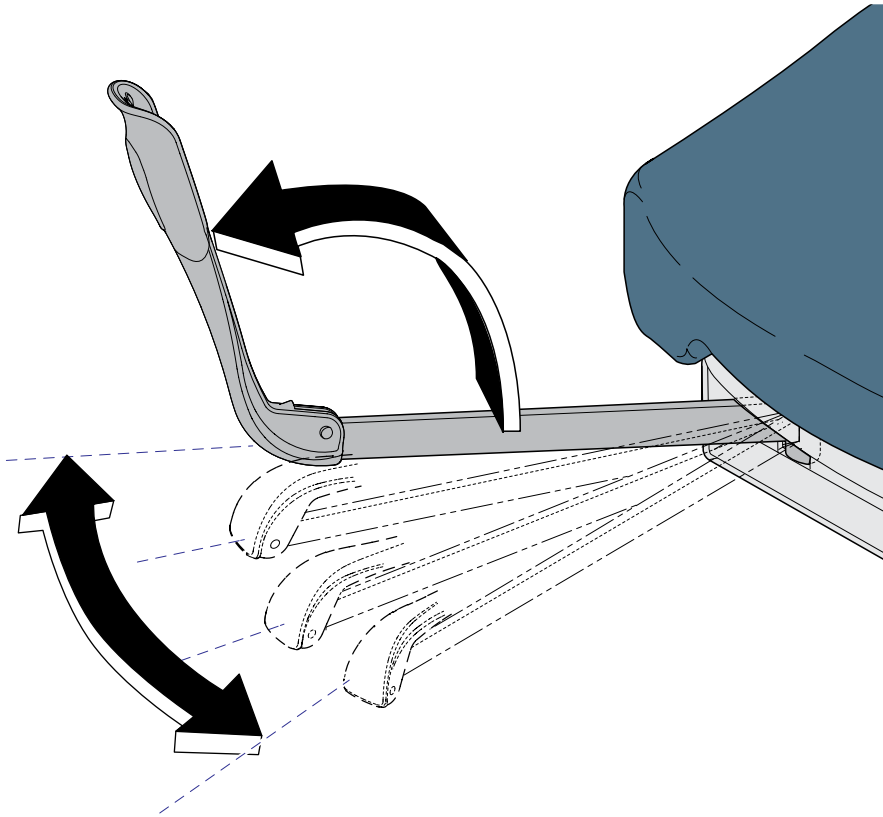


Attention

Vérifiez que les étriers sont bien en place et bloqués avant de les utiliser. Les étriers ne peuvent pas supporter le poids du patient.

Pour positionner les étriers...

- A) Tirez l'étrier et déployez-le.
- B) Soulevez légèrement l'étrier, puis déplacez-le vers la droite ou la gauche.
- C) Relâchez l'étrier pour le bloquer dans la position souhaitée.



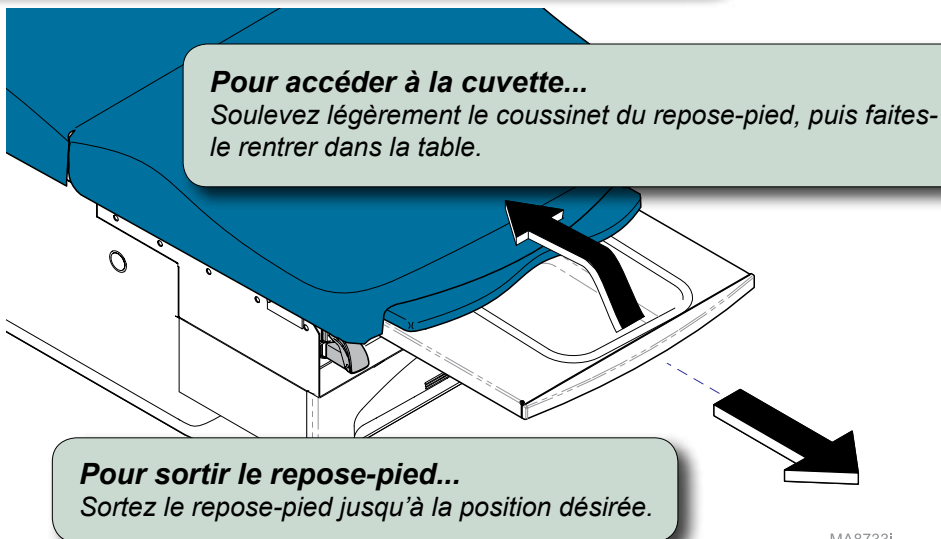
MA87311

Repose-pied et cuvette



Attention

Le repose-pied n'est pas prévu pour supporter le poids du patient.



MA8733i

Élément chauffant du tiroir (en option)

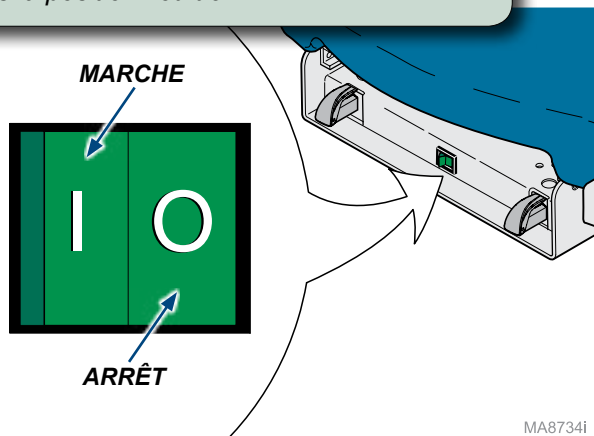
Remarque

L'interrupteur est allumé lorsque l'élément chauffant est en marche.

Pour ACTIVER/DÉSACTIVER l'élément chauffant du tiroir...

Mettez l'interrupteur de l'élément chauffant dans la position voulue.

L'élément chauffant du tiroir maintient le contenu du tiroir à une température d'environ 37 °C (98 °F).

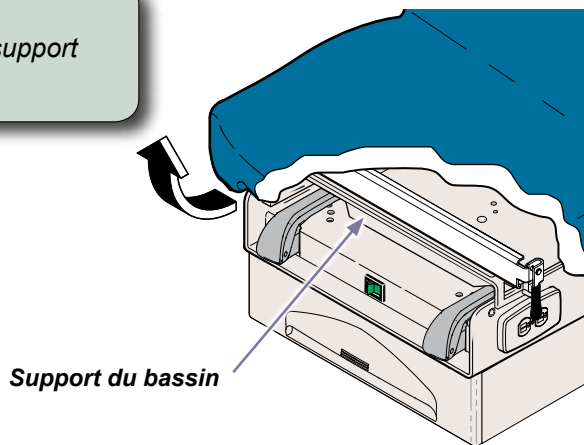


MA8734i

Surélévation du bassin

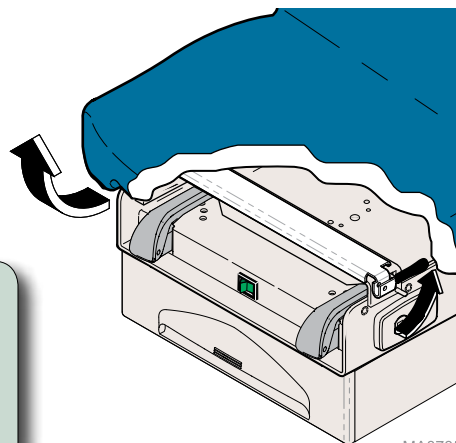
Pour élever l'assise...

Relevez l'assise jusqu'à ce que le support du bassin s'encliquette en place.



Pour remettre l'assise à plat...

- A) Soulevez l'assise légèrement.
- B) Faites pivoter la poignée du support du bassin vers le haut.
- C) Rabaissez l'assise.

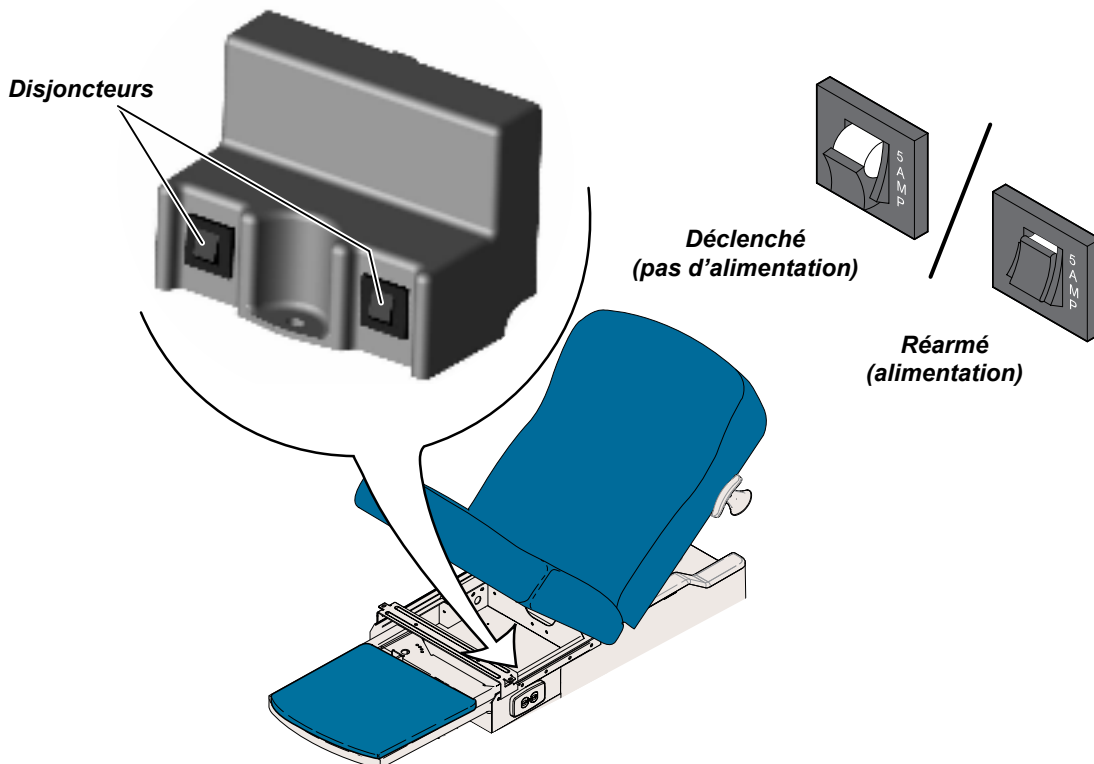


Prise de courant double (non disponible sur les modèles en 230 V)

La prise de courant double située sur le côté de la table permet le branchement des accessoires utilisés lors des interventions. Il y a deux disjoncteurs sous l'assise. Si la charge maximale de la prise est dépassée, les disjoncteurs coupent l'alimentation.

Charge maximale : 115 V CA., 5 A

Pour réinitialiser le ou les disjoncteurs...
Enfoncez le bouton du disjoncteur.



MA8736i

Entretien

Nettoyage



Avertissement relatif à l'équipement

La garniture résiste à la plupart des taches d'origine médicale, mais risque d'être endommagée par les solvants et les teintures. Essayez immédiatement tout liquide renversé sur la garniture.

Garniture

Nettoyez la garniture toutes les semaines avec un mélange de savon doux liquide et d'eau. Rincez à l'eau claire et séchez complètement afin d'éliminer les résidus de désinfectant.

Désinfectez la garniture avec une solution à base d'un volume d'eau de Javel ou de produits chlorés pour 10 volumes d'eau (10 %). Puis rincez à l'eau claire et séchez soigneusement. Voir les directives de désinfection et de stérilisation dans les centres de santé des centres pour le contrôle des maladies (CDC).

Pour minimiser les dommages provoqués par les résidus de nettoyeurs désinfectants, empêchez toute accumulation de désinfectant sur la garniture. Lorsque le temps de réaction reconnu s'est écoulé, ôtez et séchez tout excès de liquide restant sur la surface.

Votre produit est livré avec un manuel détaillé d'utilisation et d'entretien. Vous trouverez également toutes les informations utiles sur www.midmark.com à la rubrique Bibliothèque technique, au niveau de l'onglet Documents correspondant à votre produit.

Surfaces en métal/en plastique peintes

Chaque semaine, essuyez les surfaces en métal et en plastique peintes de la table à l'aide d'un chiffon doux propre et d'un détergent doux. Cirez régulièrement ces surfaces avec une cire pour meubles afin de faciliter le nettoyage et de préserver le lustre des surfaces.

Entretien préventif

Examinez périodiquement les zones suivantes :

- Le cordon d'alimentation ne doit présenter aucune coupure ou autre dommage matériel.
- Toutes les fixations doivent être en place et bien attachées.
- Tous les dispositifs mécaniques doivent fonctionner correctement.

Lubrifiez périodiquement les zones suivantes pour que la table fonctionne bien, sans faire de bruit :

- Charnière arrière (*huile lubrifiante légère*).
- Conduits de coulissement du repose-pied (*cire pour meubles*).

Pour assurer une utilisation de la table en toute sécurité, faites la inspecter tous les six mois par un technicien de maintenance qualifié.

Remarque

Vous devez préciser le numéro de modèle et le numéro de série lorsque vous contactez le service après-vente.

Service après-vente

Si une réparation est nécessaire, contactez votre revendeur Midmark agréé.

Pour contacter directement Midmark :

+1-937-526-3662

De 8 h 00 à 17 h 00, du lundi au vendredi (heure normale de l'Est des États-Unis)

www.midmark.com

Caractéristiques techniques

Poids et caractéristiques électriques

Poids du patient (maximal)	181,4 kg (400 lbs)
Rouleau de papier (taille maximale)	<i>(Voir la section Rouleau de papier et sangle de maintien)</i>
Amplitude de mouvement et dimensions	<i>(Voir la section Amplitude de mouvement et dimensions)</i>
Poids de la table <i>[Pour des modèles en 115 V. Ajouter 6,5 kg (14.5 lb) pour un transformateur de 230 V]</i>	
avec garniture avec emballage et palette <i>(sans garniture)</i> Garniture avec emballage (expédiée séparément)	147 kg (325 lbs) 192,7 kg (375 lbs) 18,1 kg (40 lbs)
Cordon(s) d'alimentation <i>[Les modèles en 115 V sont dotés de deux cordons]</i>	243,8 cm (8 ft.) de long
Alimentation électrique	<i>[Voir le tableau de conformité à la réglementation]</i>
Alimentation de la pédale de commande	14 V CA, SELV (Tension de sécurité extra-basse)
Prise de courant double (charge maximale) <i>(non disponible sur les modèles en 230 V)</i>	115 V CA, 5 A, 50/60 Hz
Fusibles <u>222/223 (tous)</u> <i>F1 et F2 (sur la carte de circuit imprimé principale)</i> <i>F3 (sur la carte de circuit imprimé principale)</i> <i>F4 (sur la carte de circuit imprimé principale)</i> <i>Modèle 223 (uniquement)</i> <i>F5 (sur la carte de circuit imprimé principale)</i> <u>Modèles avec élément chauffant du tiroir</u> <i>Fusibles du tableau de distribution (2)</i> <u>222 (-017)</u> <i>situés à côté de la prise CEI (2)</i>	10A, 250 V, Slo-Blo, 1/4" x 1 1/4" 5A, 250 V, Slo-Blo, 1/4" x 1 1/4" 187 mA, 250 V, Slo-Blo, 1/4" x 1 1/4" 4 A, 250 V, Slo-Blo, 1/4" x 1 1/4" 800 mA, 250 V, Slo-Blo, 5 x 20 mm 4 A, 250 V, à retardement, 5 x 20 mm
Cycle d'utilisation (cycle du moteur)	Fonctionnement par intermittence <i>[Modèle domestique : 30 secondes ACTIVÉ, 5 minutes DÉSACTIVÉ]</i> <i>[Modèle exportation : 25 secondes ACTIVÉ, 7 minutes DÉSACTIVÉ]</i>
Prises, élément chauffant du tiroir	<i>Fonctionnement continu</i>
Classifications	Classe 1, matériel industriel de type B Fonctionnement par intermittence <i>[Modèle domestique : 30 secondes ACTIVÉ, 5 minutes DÉSACTIVÉ]</i> <i>[Modèle exportation : 25 secondes ACTIVÉ, 7 minutes DÉSACTIVÉ]</i>
Protection contre la pénétration de liquides	IPXO <i>[Pédale de commande uniquement : IPX1]</i>

Identification du modèle/Tableau de conformité

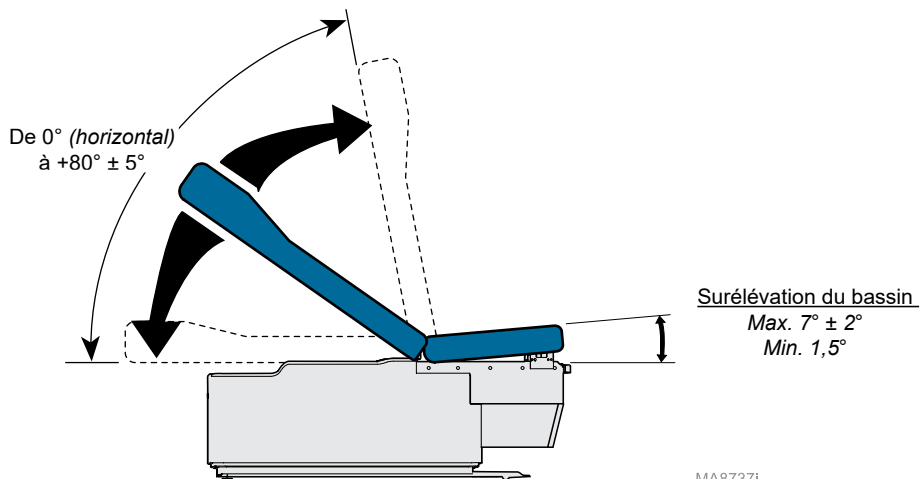
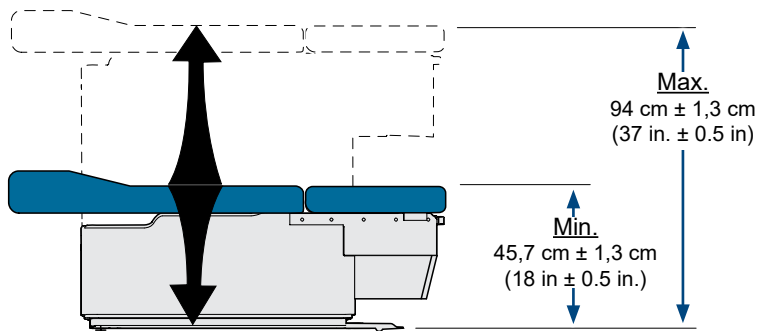
Modèle	Description	Conforme aux normes :					Alimentation électrique :		
		UL 60601-1	CAN/CSA 22.2, n° 601.1 - M90	CEI 60601-1	EN 60601-1-2 (CEM)	CE	VCA +/- 10 %	Inten- sité	Cycles (Hz)
222-016	Table Ritter Basic avec prise de courant, surélévation du bassin et élément chauffant du tiroir	•	•	•	•		115	11	50/60
222-017	Table Ritter Basic - exportation avec surélévation du bassin	•	•	•	•	•	230	2,75	50/60
223-016	Table Ritter à dossier électrique avec prise de courant, surélévation du bassin et élément chauffant du tiroir	•	•	•	•		115	12,5	50/60

Conformité au code des incendies :

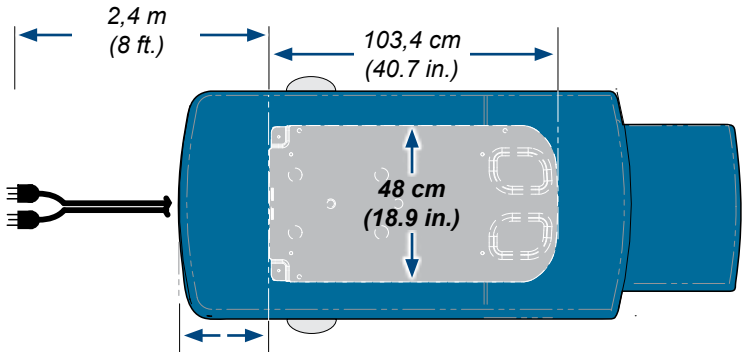
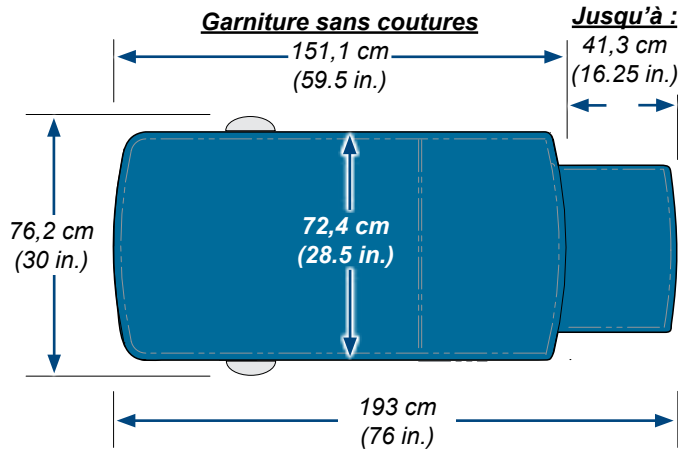
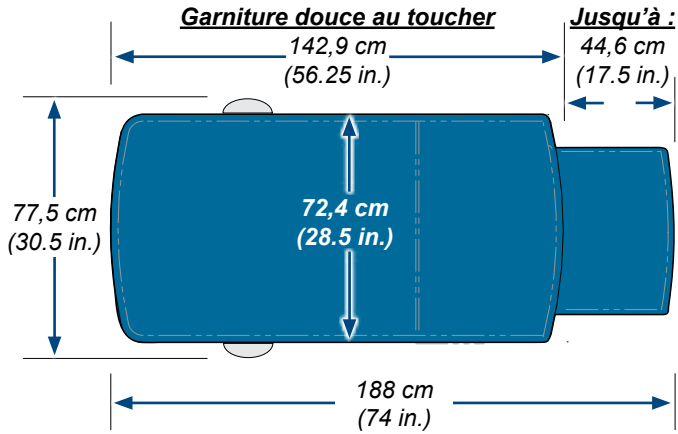
Toutes les garnitures sont conformes aux normes du California Bureau of Home Furnishing
Bulletin technique 117.

Une garniture en option est disponible, elle est conforme aux normes du California Bureau of
Home Furnishing Bulletin technique 133.

Amplitude de mouvement et dimensions



Amplitude de mouvement et dimensions (suite)



Garniture douce au toucher : 30,5 cm (12 in.)
Sans coutures : 34,3 cm (13.5 in.)

MA8738i

Renseignements sur la garantie

CADRE DE GARANTIE Midmark Corporation (« Midmark ») s'engage auprès de l'acquéreur initial à réparer ou à remplacer, au gré de Midmark, les produits médicaux locaux et internationaux fabriqués par Midmark (hormis les composants non garantis en vertu des « Exclusions ») qui sont défectueux au niveau du matériel ou de la qualité d'exécution dans des conditions normales d'utilisation et de service. Le seul recours admissible aux termes de la présente garantie limitée est la réparation ou le remplacement des composants concernés, au gré de Midmark. La présente garantie limitée ne s'applique qu'aux défauts signalés à Midmark durant la période de garantie applicable et dont Midmark détermine après examen qu'ils existent. La présente garantie s'étend au seul acquéreur initial d'un produit et n'est ni transférable, ni cessible. Des composants ou produits de remplacement peuvent être utilisés, ou encore des composants ou produits rénovés, à condition qu'ils présentent une qualité et des spécifications identiques à celles des composants ou produits neufs.

Midmark s'engage auprès de l'acquéreur initial à réparer ou remplacer les logiciels contenus dans les produits fabriqués par Midmark (hormis ceux non garantis en vertu des « Exclusions ») pendant la période de garantie applicable si : (1) le support sur lequel le logiciel est fourni présente des défauts matériels ou d'exécution dans des conditions normales d'utilisation ; ou (2) le logiciel n'est pas fondamentalement conforme aux spécifications annoncées.

PÉRIODE DE GARANTIE APPLICABLE La période de garantie applicable est d'un (1) an pour tous les produits et composants couverts par la garantie, à compter de la date de facturation à l'acheteur au détail initial du produit.

OBTENTION DU SERVICE DE GARANTIE Le service de garantie doit être mis en œuvre par Midmark ou un distributeur agréé de la ligne de produits de Midmark pour laquelle le service de garantie est requis. Les demandes ou questions liées au service de garantie Midmark peuvent être adressées par courrier électronique sur www.midmark.com ou par téléphone au +1-937-526-3662 ou par courrier à Midmark Corporation, 60 Vista Drive, Versailles, Ohio 45380. L'acquéreur a l'obligation de prendre ses dispositions auprès de Midmark ou de tout revendeur agréé pour mettre en place un service de garantie, service qui est à la charge de l'acquéreur. L'acquéreur est également dans l'obligation de se conformer aux instructions du service de garantie fourni par Midmark ou son distributeur agréé. L'acquéreur doit fournir à Midmark les renseignements relatifs à l'enregistrement de la garantie dans les trente (30) jours consécutifs à l'achat afin de pouvoir jouir de la garantie.

EXCLUSIONS : Midmark ne peut être tenu pour responsable des cas suivants, qui ne sont pas couverts par la garantie limitée :

- (1) les malfaçons, dommages ou autres conditions provoquées, en tout ou en partie, par une utilisation abusive ou incorrecte, une négligence, une modification, un accident, des dommages subis pendant le transport, une négligence dans l'entreposage, une altération ou une demande de réparation ou de remplacement hors délais ;
- (2) les produits qui ne sont pas installés, utilisés, nettoyés et entretenus correctement tel qu'exigé ou recommandé dans les guides « Installation » ou « Installation/Fonctionnement » de Midmark pour le produit concerné, y compris les conditions environnementales structurelles et opérationnelles et les exigences électriques ;
- (3) les produits considérés comme étant de nature consommable ou stérile ;
- (4) les accessoires ou pièces n'étant pas fabriqués par Midmark ;
- (5) les frais appliqués par quiconque pour des réglages, des réparations, des pièces de remplacement, l'installation ou toute autre tâche accomplie sur ou en rapport avec lesdits produits, qui ne sont pas expressément autorisés au préalable et par écrit par Midmark ;
- (6) les frais d'entretien et de nettoyage ordinaires ; et
- (7) les représentations et garanties données par toute autre personne ou entité que Midmark.
- (8) la correspondance de couleur, de grain ou de texture, hormis selon les normes commerciales acceptables ;
- (9) les changements de couleur causés par la lumière naturelle ou artificielle ;
- (10) les produits de fabrication sur mesure ;
- (11) les altérations ou modifications au produit par toute personne ou entité autre que Midmark ; et
- (12) les produits qui seraient sinon couverts par cette garantie limitée, mais qui ont été acquis : (i) auprès d'une personne ou d'un organisme autre que Midmark ou l'un de ses revendeurs agréés ; ou (ii) auprès d'un revendeur Midmark non autorisé à vendre le produit en cause sur le territoire géographique où se trouve l'acheteur ou non autorisé à vendre le produit en cause sur le marché médical.

LOGICIEL ; EN LIEN AVEC UN LOGICIEL QUI EST UN PRODUIT OU UN COMPOSANT D'UN PRODUIT, MIDMARK NE GARANTIT PAS QUE LE LOGICIEL : (1) EST EXEMPT D'ERREURS ; (2) PEUT ÊTRE UTILISÉ SANS PROBLÈME OU INTERRUPTION ; OU (3) EST EXEMPT DE VULNÉRABILITÉS AUX INTRUSIONS OU ATTAQUES DE VIRUS OU AUTRES PROCÉDÉS.

RECOURS EXCLUSIF ; AVIS DE NON-RESPONSABILITÉ POUR LES DOMMAGES INDIRECTS ; L'UNIQUE OBLIGATION DE MIDMARK DANS LE CADRE DE CETTE GARANTIE LIMITÉE EST LA RÉPARATION OU LE REMPLACEMENT DES PIÈCES DÉFECTUEUSES. MIDMARK NE PEUT ÊTRE TENU POUR RESPONSABLE ET DÉCLINE PAR LA PRÉSENTE TOUTE RESPONSABILITÉ POUR TOUT RETARD OU DOMMAGE DIRECT, PARTICULIER, INDIRECT, ACCIDENTEL, EXEMPLAIRE OU CONSÉCUTIF, Y COMPRIS, SANS S'Y LIMITER, LES DOMMAGES RELATIFS À UNE PERTE DE BÉNÉFICE OU DE REVENU, UNE PERTE D'USAGE, UNE PERTE DE DONNÉES, UN TEMPS D'INDISPONIBILITÉ, UNE COUVERTURE ET LES SALAIRES, PAIEMENTS ET AVANTAGES SOCIAUX D'EMPLOYÉS OU D'ENTREPRENEURS INDÉPENDANTS. CETTE EXCLUSION SURVIVRA À TOUT MANQUEMENT OU MANQUEMENT ALLÉGUÉ AU BUT ESSENTIEL DE CETTE GARANTIE LIMITÉE OU À SES RECOURS PRÉVUS. EXCLUSION DE GARANTIE : CETTE GARANTIE EST LA SEULE GARANTIE DE MIDMARK ET REMPLACE TOUTES LES AUTRES GARANTIES EXPLICITES OU IMPLICITES. MIDMARK N'ACCORDE AUCUNE GARANTIE IMPLICITE D'AUCUNE SORTE, Y COMPRIS LES GARANTIES IMPLICITES DE COMMERCIALISATION OU D'ADAPTATION POUR UNE UTILISATION PARTICULIÈRE. CETTE GARANTIE EST LIMITÉE À LA RÉPARATION OU AU REMPLACEMENT DE PIÈCES DÉFECTUEUSES.

PRESCRIPTION Aucune action ne peut être portée contre Midmark pour violation de la présente garantie limitée, d'une garantie implicite, le cas échéant, ou pour toute autre revendication découlant de ou relative aux produits, plus de quatre-vingt-dix (90) jours après expiration de la période de garantie limitée.

AUCUNE AUTORISATION Aucune personne ou société n'est autorisée à créer ou approuver d'autres obligations ou responsabilités pour Midmark en rapport avec les produits.

Remarques :

Midmark Corporation

60 Vista Drive

Versailles, OH 45380 États-Unis

1-800-643-6275

1-937-526-3662



Because we care.