



Barrier-Free™ Examination Table

For models:
622
623



User's Guide



SF- 1882
003-1593-00 Rev P (2/16)

Owner's Product Identification

(The information below is required when calling for service)

Model Number:

Serial Number:

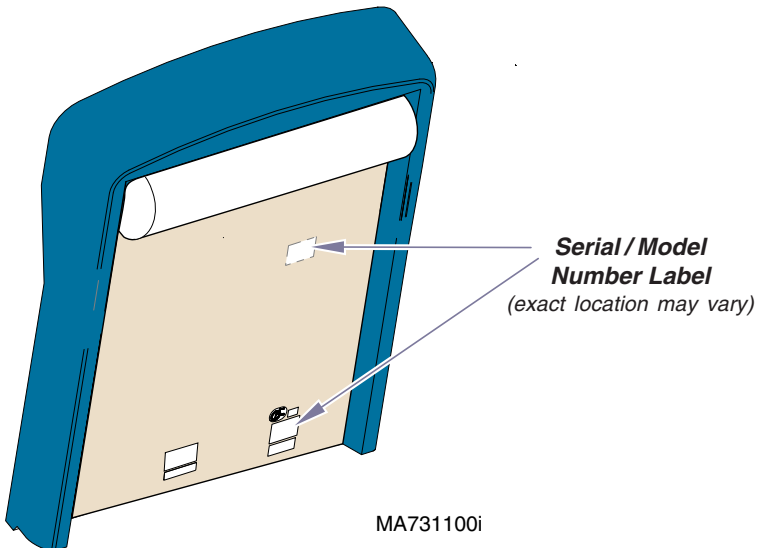
Date of Purchase:

Name of Owner / Facility:

Name of Dealer:

Dealer's Phone Number:

Midmark Authorized Service Company:



MA731100i

Table of Contents

Important Information

Safety Symbols	2
Transportation / Storage Conditions	2
Intended Use	3
Electrical Requirements	3
Electromagnetic Interference	3
Authorized CE Representative	3
Disposal of Equipment	3
Safety Instructions	4

Operation

Table Up / Down Operation	5
Back Section Operation:	
622	6
623	7
Home Function - 623 only	8
Exam Assistant™ Drawer System	9
Paper Roll & Tear Straps	10
Stirrups	11
Footrest & Treatment Pan	12
Drawer Heater (<i>optional</i>)	12
Pelvic Tilt (<i>optional</i>)	13
Duplex Receptacle (<i>optional</i>)	14

Maintenance

Cleaning	15
Preventative Maintenance	15
Calling for Service	15

Specifications

Weights, Dimensions, Electrical Specifications	16
Regulatory Compliance Chart:	
622 / 623	17
Range of Motion & Dimensions	18

Warranty Information

Limited Warranty	20
------------------------	----

Important Information

Safety Symbols



Caution

Indicates a potentially hazardous situation which could result in injury if not avoided.



Equipment Alert

Indicates a potentially hazardous situation which could result in equipment damage if not avoided.

Note

Amplifies a procedure, practice, or condition.



Consult User Guide for important information.



Keep dry



Proper shipping orientation



Maximum stacking height (palletted units)



Fragile



Fuse rating specification



Type B, Applied Part



Dangerous voltage / shock hazard



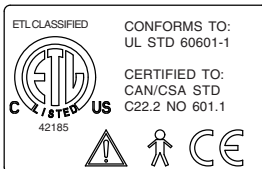
Protective earth ground



Duty Cycle (motor run time):
30 seconds ON, 5 minutes OFF



Patient weight limit



This product has been evaluated with respect to electrical shock, fire & mechanical hazards only, in accordance with UL60601-1 and CAN/CSA C22.2 NO. 601.1.

Transportation / Storage Conditions

Ambient Temperature Range:+5°C to +38°C (+41°F to 100°F)

Relative Humidity 10% to 90% (non-condensing)

Atmospheric Pressure500hPa to 1060hPa (0.49atm to 1.05atm)

Intended Use

This product is intended to be used as a chair / table to provide positioning and support of patients during general examinations & procedures conducted by qualified medical professionals.

Electrical Requirements



Caution

When using high frequency surgical devices or endocardial catheters:

- Use non-conductive material to insulate patient from metal portions of the table.
- Consult operating instructions for the device before using in conjunction with drawer or upholstery heater.

Failure to comply may result in electric shock or burns to patient.

Electromagnetic Interference

This Midmark table is designed and built to minimize electromagnetic interference with other devices. However, if interference is noticed between another device and this table:

- Remove interfering device from room
- Plug table into an isolated circuit
- Increase separation between table and interfering device
- Contact Midmark if interference persists

Electromagnetic Compliance Statements per EN60601-1-2 are available online:

Go to: www.documark.com (Use the **FIND** feature to locate: **077-0501-00**)

Authorized EU Representative

Countries in the EU should direct all questions, incidents, and complaints to Midmark's Authorized EU representative listed below. :

Midmark EMEA Ltd
Beech House, First Floor, East Wing
Ancells Business Park
Fleet
Hampshire GU51 2UN
United Kingdom
Tel: + 44 (0) 1252 360 940
Fax: + 44 (0) 1252 360 941

Disposal of Equipment

At the end of product life, the table, accessories, and other consumable goods may become contaminated from normal use. Consult local codes and ordinances for proper disposal of equipment, accessories and other consumable goods.

Safety Instructions



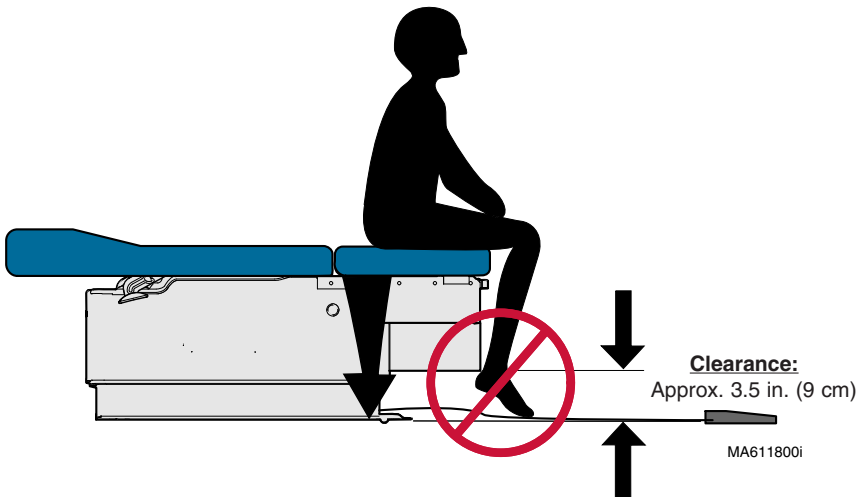
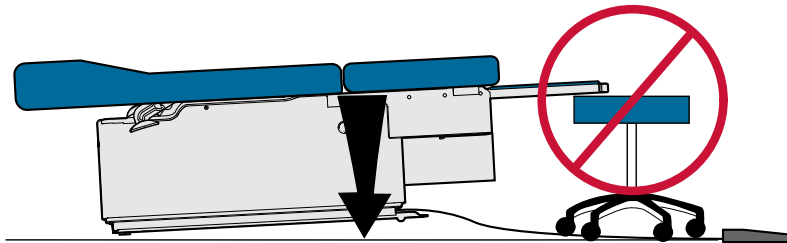
Caution

Be sure that all personnel and equipment are clear of the table before activating any function. Failure to do so could result in personal injury.

At the table's lowest height [18 in. (45.7 cm)], the clearance between the bottom of the drawer and the floor is approximately 3.5 in. (9 cm). Make sure patient (*esp. feet*) and all objects are clear of this area before lowering table.

If the table malfunctions, immediately release foot pedal, unplug the table power cord, and assist the patient from the table. If table continues to malfunction, call for service.

Failure to comply with these instructions may result in injury to patient and/or damage to equipment.



Operation

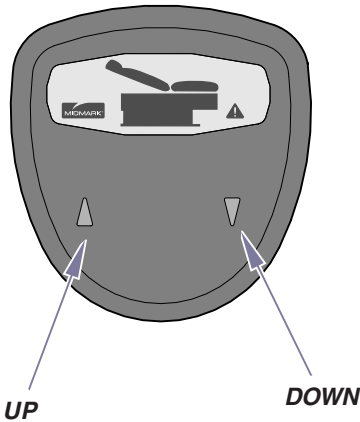
Table Up / Down Operation

Note

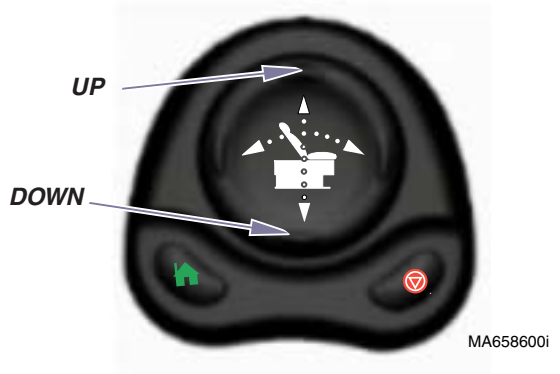
The table automatically stops at its maximum and minimum height.

*To move the table Up or Down...
Press and hold the appropriate button.*

622



623



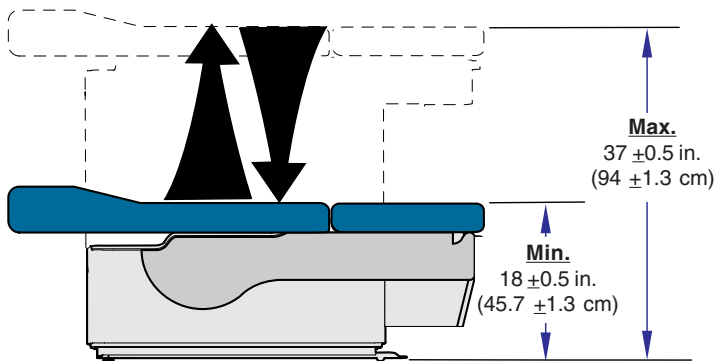
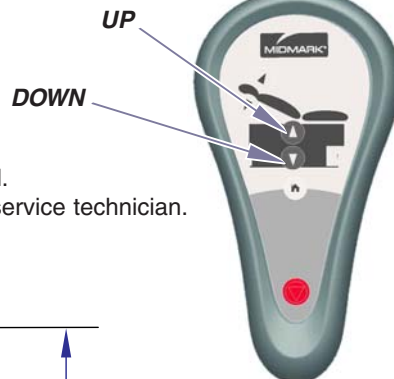
MA658600i



Equipment Alert

If the table's weight limit is exceeded, you will hear a "beep" and the function will be disabled.

If the problem occurs with a normal load, contact your service technician.

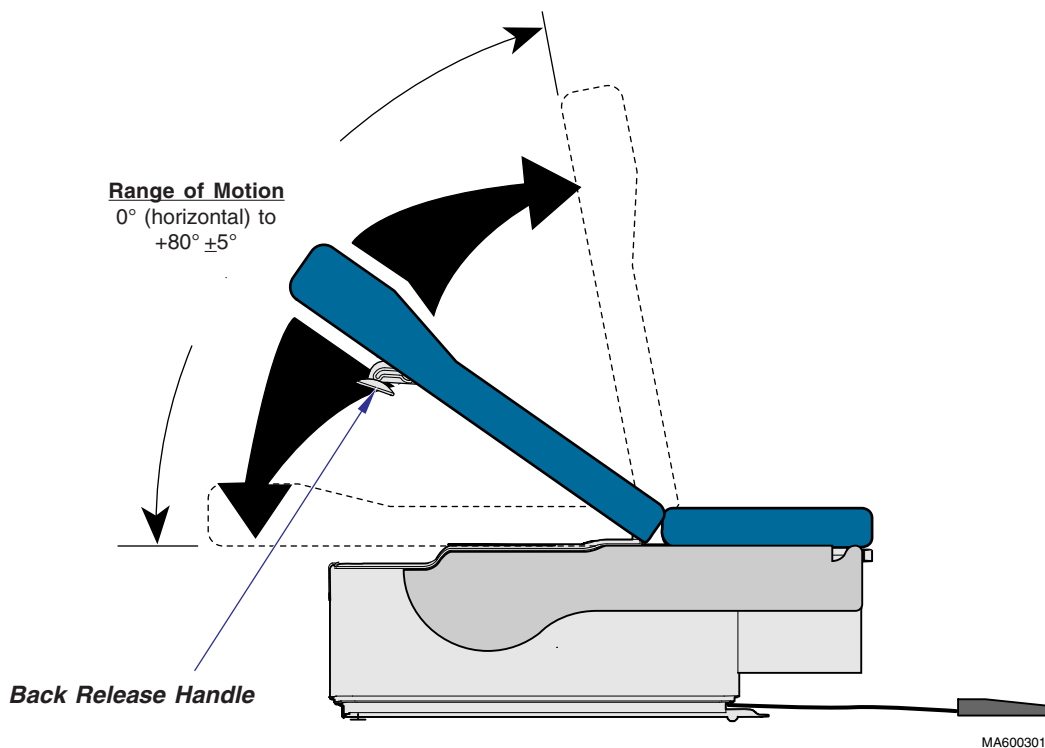


MA626000i

Back Section Operation - 622

To position the back section...

- A. While holding the back section in place, squeeze the Back Release Handle (either side).
- B. Move the back section.
- C. Release handle to lock back section in position.



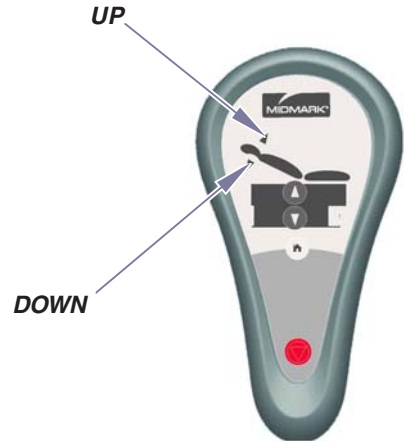
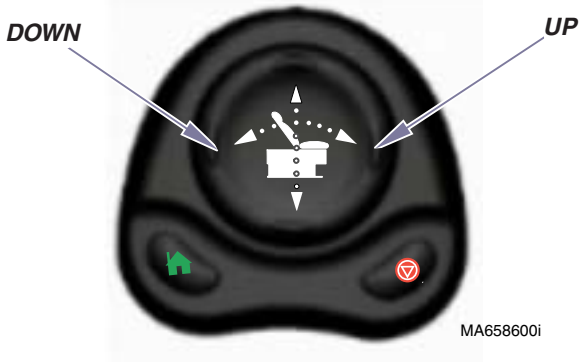
Back Section Operation - 623

Note

The back section automatically stops at the top and bottom of its travel.

To position the back section...

Press and hold the appropriate button.

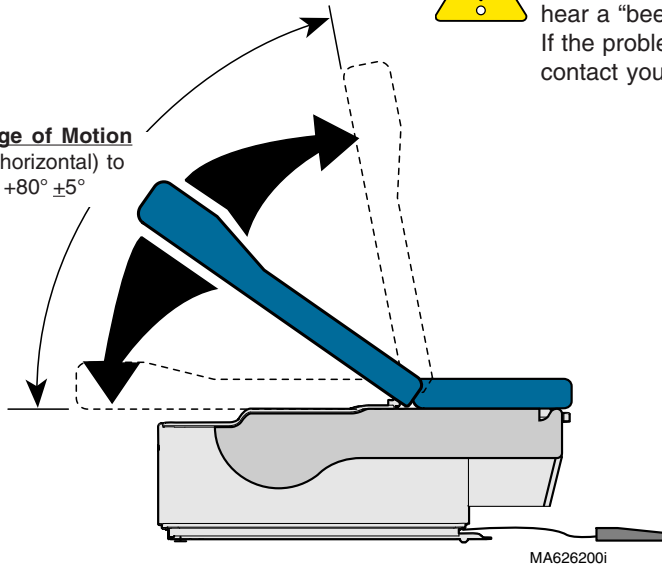


Equipment Alert

If the table's weight limit is exceeded, you will hear a "beep" and the function will be disabled. If the problem occurs with a normal load, contact your service technician.

Range of Motion

0° (horizontal) to
+80° ±5°

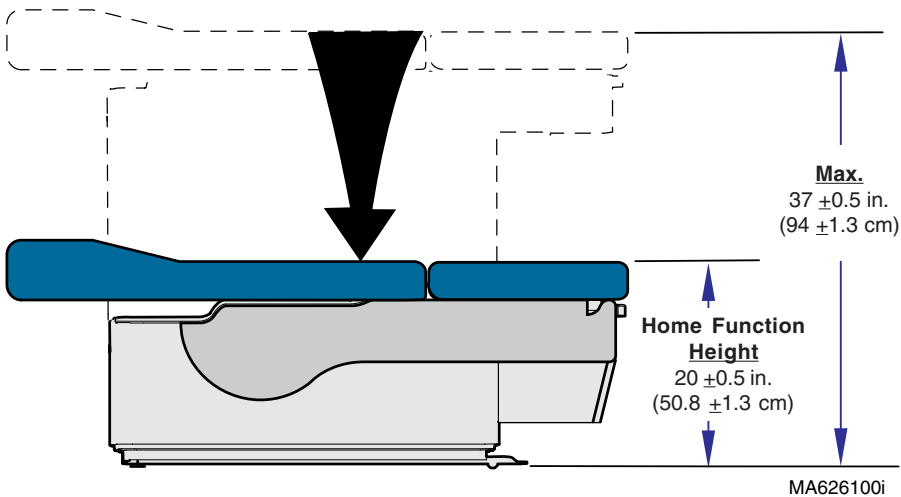
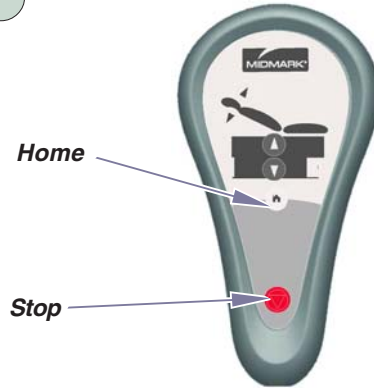
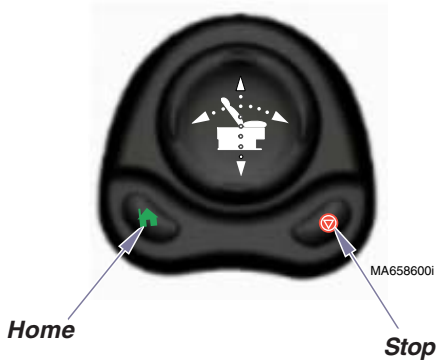


Home Function - 623 only

Note

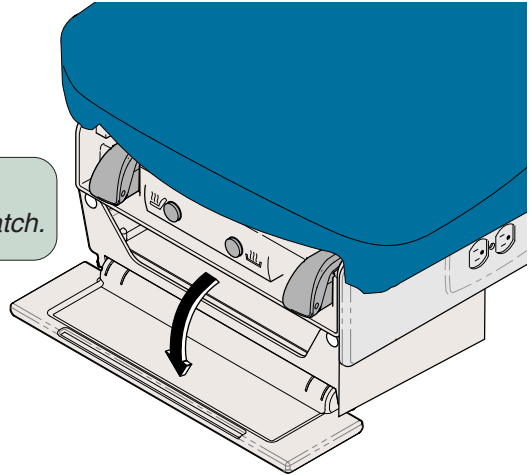
The Home Function automatically lowers the table to 20" (50.8 cm). Press the Stop button at anytime to stop movement.

To activate the Home Function...
Press and release the Home button.



Exam Assistant™ Drawer System

To use the drawer front as a shelf...
Pull drawer front down to release the magnetic latch.

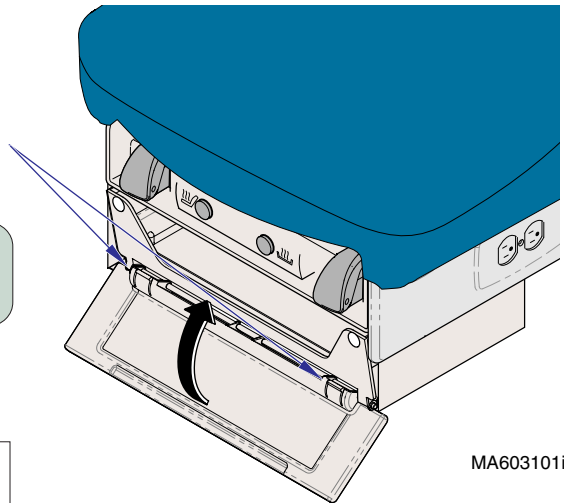


Equipment Alert

The maximum weight the shelf will support is 10 lbs (4.5 kg).

If drawer front folds past horizontal...
Press two tabs and swing drawer front upward.

Tabs



Equipment Alert

If drawer front folds past horizontal, **do not** operate table.

MA6031011

Paper Roll & Tear Strap

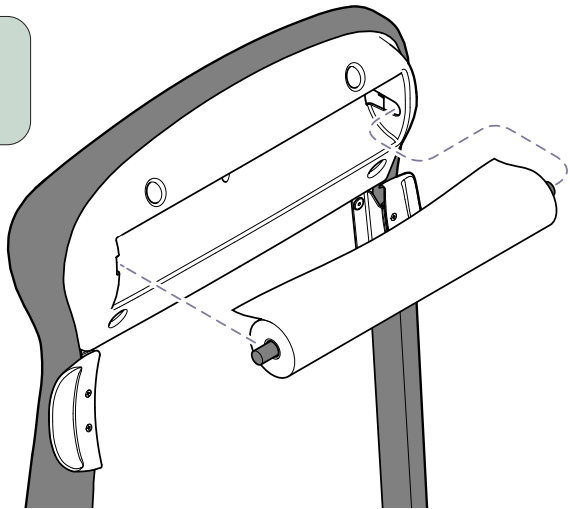
Note

Up to four paper rolls (max.) may be stored under the back section.

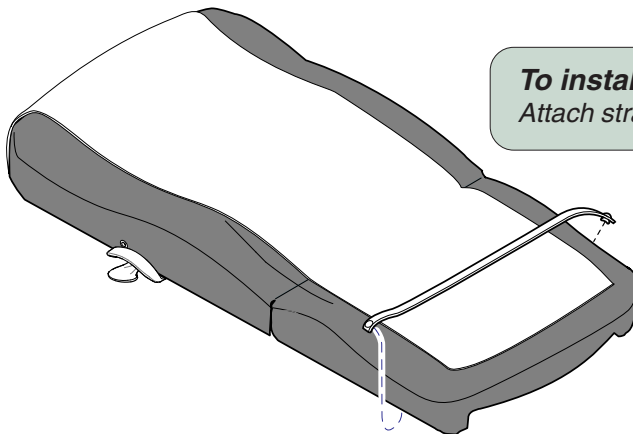
Paper Roll Size (maximum):

622 & 623 (-007 & -008)	21 in. long x 3.5 in. diameter (53.3 cm x 8.9 cm)
623 (-009 & -010)	19.7 in. long x 4.7 in. diameter (50 cm x 12 cm)

To install the paper roll...
Insert rod ends into sockets
under head end of upholstery.



To install the paper tear strap...
Attach strap to snaps on each side of table.



MA628701i

Stirrups

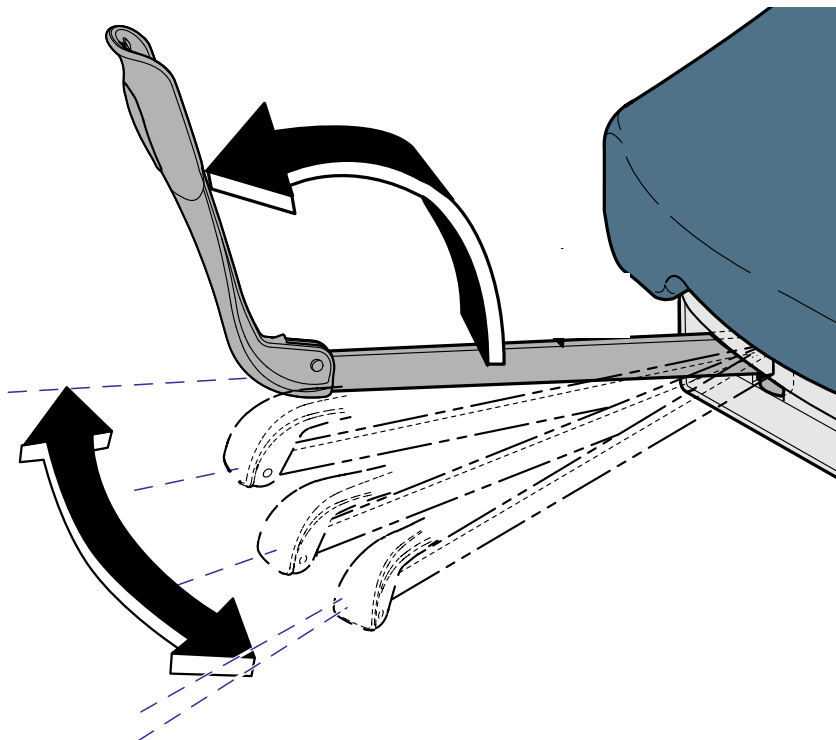


Caution

Be sure the stirrups are locked in place before using.
The stirrups will not support the patient's entire weight.

To position the stirrups...

- A. Pull the stirrup out, then unfold.*
- B. Lift the stirrup slightly, then move it left or right as desired.*
- C. Release stirrup to lock in position.*



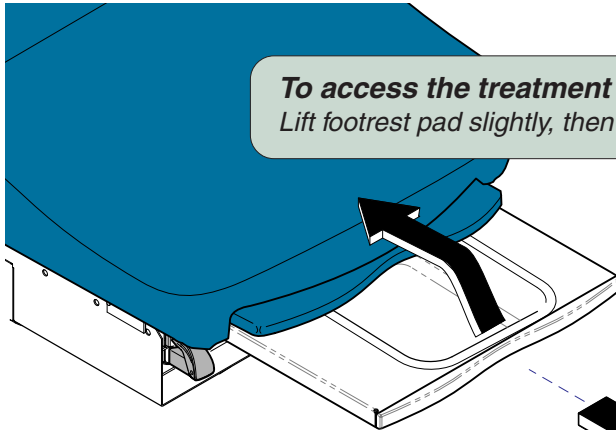
MA602500i

Footrest & Treatment Pan



Caution

Do not use footrest to support patient's entire weight.

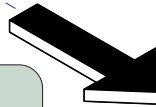


To access the treatment pan...

Lift footrest pad slightly, then slide pad back into table.

To extend footrest...

Pull footrest out to desired position.



MA6264001

Drawer Heater (optional)

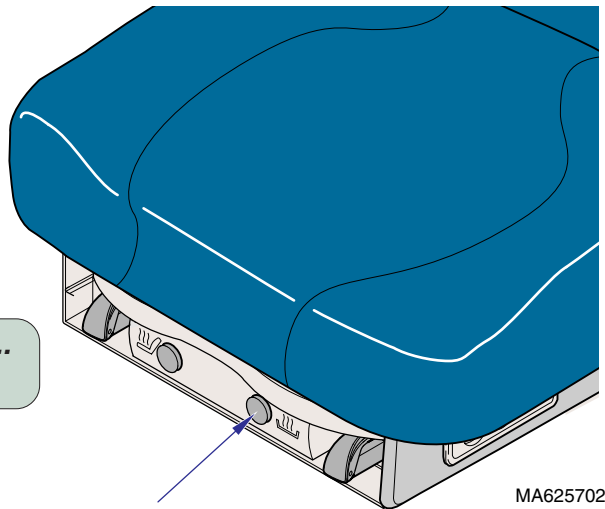
Note

The drawer heater switch illuminates when heater is ON.

The drawer heater warms the contents of the drawer to approximately 98°F (37°C).

To turn the drawer heater ON / OFF...

Press & release the drawer heater switch.



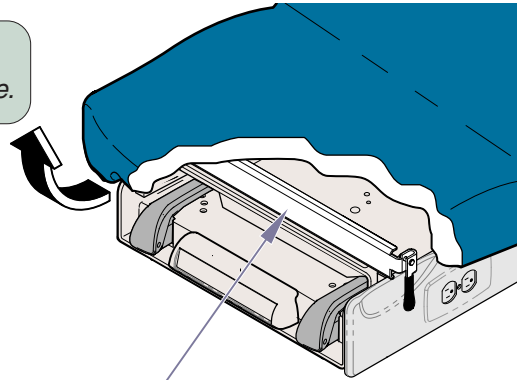
**Drawer Heater
Switch**

MA6257021

Pelvic Tilt (optional)

To elevate seat section...

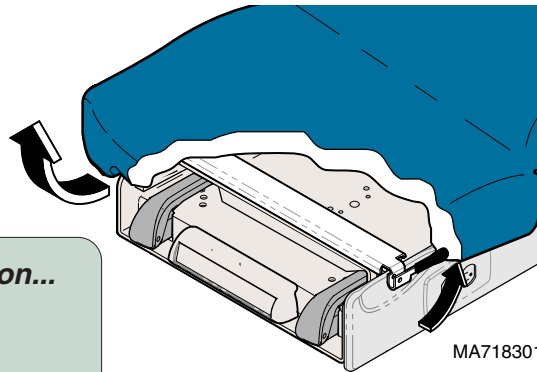
Lift seat until pelvic support drops into place.



Pelvic Support

To return seat section to flat position...

- A. Lift seat section slightly.***
- B. Pivot pelvic support handle upward.***
- C. Lower seat section.***



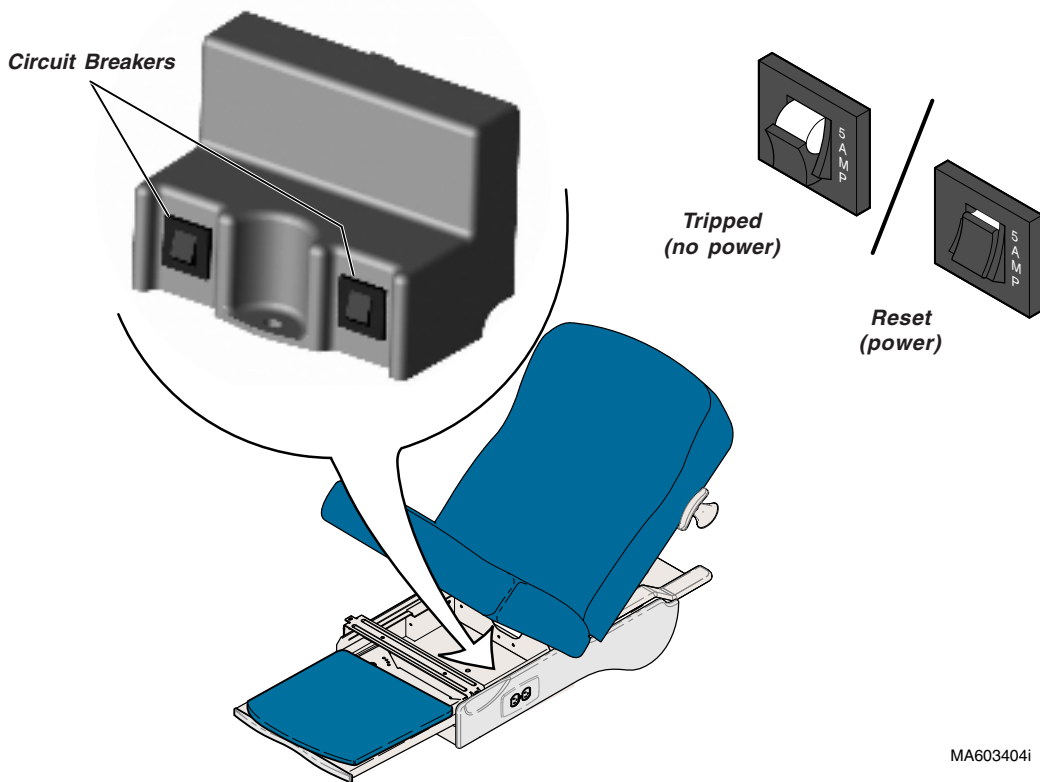
MA718301i

Duplex Receptacle (not available on 230 volt models)

The duplex receptacle on the side of the table provides power for accessories used during medical procedures. There are two circuit breakers located under the seat section. If the receptacle's maximum load is exceeded, the circuit breakers interrupt power to the receptacle.

Maximum Load: 115 VAC, 5 amps

To reset the circuit breaker...
Push circuit breaker switch.



MA603404i

Maintenance

Cleaning

Clean upholstery with 5% bleach/water solution.



Equipment Alert

The upholstery is resistant to most medicinal-type stains, but may be damaged by solvents and dyes. Immediately remove any fluids spilled on the upholstery.

Clean the table weekly, wiping the painted metal and plastic surfaces with a clean, soft cloth, and mild cleaners. Periodic applications of common furniture wax will ease cleaning and maintain the finished luster of the table.

Preventive Maintenance

Periodically inspect the following areas:

- Power cord should be free of cuts or other visible damage.
- All fasteners should be present and tightened securely.
- All mechanical functions should operate properly.

Periodically lubricate the following areas to maintain quiet, smooth, operation:

- Back hinge (*use light machine oil*)
- Footrest slide (*use household furniture wax*)

Have a qualified service technician inspect your table every six months.

Calling For Service

Note

Model / Serial Number information is required when calling for service.

Contact your Midmark Dealer, or log onto www.midmark.com to locate your nearest service provider. To contact Midmark directly:

1-800-Midmark (1-800-643-6275) or 937-526-3662
8:00 am until 5:00 pm. Monday through Friday (EST)
[excluding standard U.S. holidays]

Specifications

Weights, Dimensions, Electrical Specifications

Patient Weight (Maximum)	400 lbs (181.4 kgs)
Paper Roll (maximum size):	(See <i>Paper Roll & Tear Straps</i> page)
Range of Motion & Dimensions	(See <i>Range of Motion & Dimensions</i> page)
Weight of Table:	
<i>[Weights listed are for 115V models. The 230V transformer adds 14.5 lbs (6.5 kg)]</i>	
622 / 623 w/upholstery	325 lb (147 kg)
w/packaging & skid (<i>no uph.</i>)	375 lb (192.7 kg)
Upholstery w/packaging (<i>shipped seperately</i>)	40 lbs (18.1 kg)
Power Cord(s) [<i>115V models have two cords</i>]:	8 ft. (243.8 cm) long
Electrical Requirements:	[See <i>Regulatory Compliance Charts</i>]
Foot / Hand Control Voltage:	14 VAC, SELV (Safety Extra Low Voltage)
Duplex Receptacle (optional)	
maximum load:	115 VAC, 5A, 50/60 Hz
Fuses:	
<u>622/623 (all):</u>	
F1 & F2 (<i>on main PC board</i>)	10A, 250V, Type-T, 1/4" x 1 1/4"
F3 (<i>on main PC board</i>)	5A, 250V, Type-T, 1/4" x 1 1/4"
F4 (<i>on main PC board</i>)	187 mA, 250V, Type-T, 1/4" x 1 1/4"
F5 (<i>on main PC board</i>)	4A, 250V, Type-T, 1/4" x 1 1/4"
<u>Models w/ drawer heater</u>	
distribution board fuses (2)	800 mA, 250V, Type-T, 5 x 20mm
<u>Models w/ upholstery heater</u>	
uph. heater PC board fuses (2)	1/2 A, 250V, Type-T, 1/4" x 1 1/4"
<u>623 (-009 & -010):</u>	
located next to IEC inlet (2)	4A, 250V, Type-T, 5 x 20 mm
Duty Cycle:	
Actuator motor run time:	Intermittent Operation <i>[30 seconds ON / 5 minutes OFF]</i>
Receptacle / Drawer Heater / Uph. Heater:	Continuous Operation
Classifications:	Class 1, Type B Applied Part,
Protection against ingress of fluids:	IPX0 [<i>Foot Control only: IPX1</i>]

Equipment not suitable for use in the presence of a flammable anesthetic mixture with air, or with oxygen, or nitrous oxide.

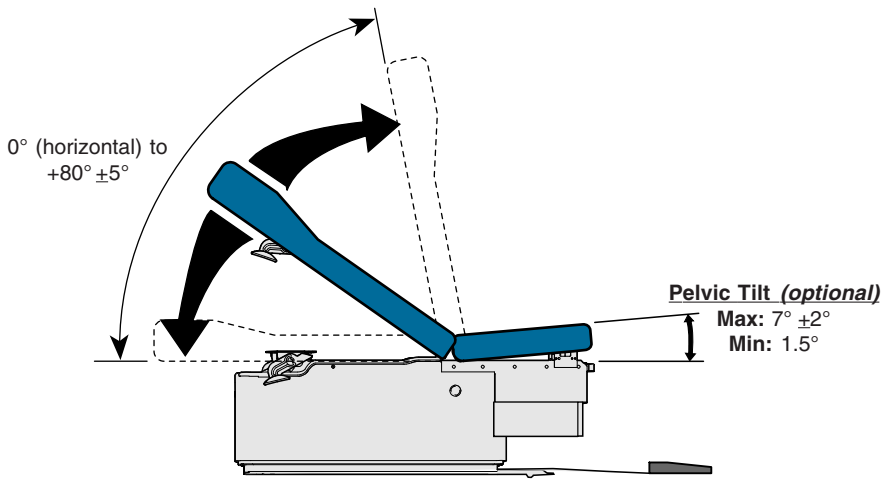
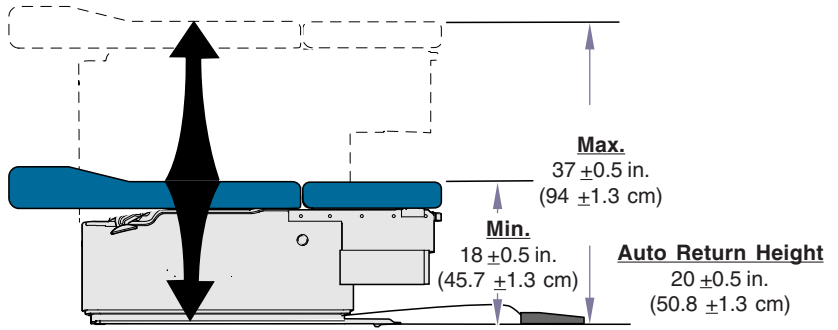
Regulatory Compliance Chart - 622 / 623

Fire Code Ratings: All upholstery complies with California Bureau of Home Furnishing Technical Bulletin 117

Optional upholstery is available that complies with California Bureau of Home Furnishing Technical Bulletin 133.

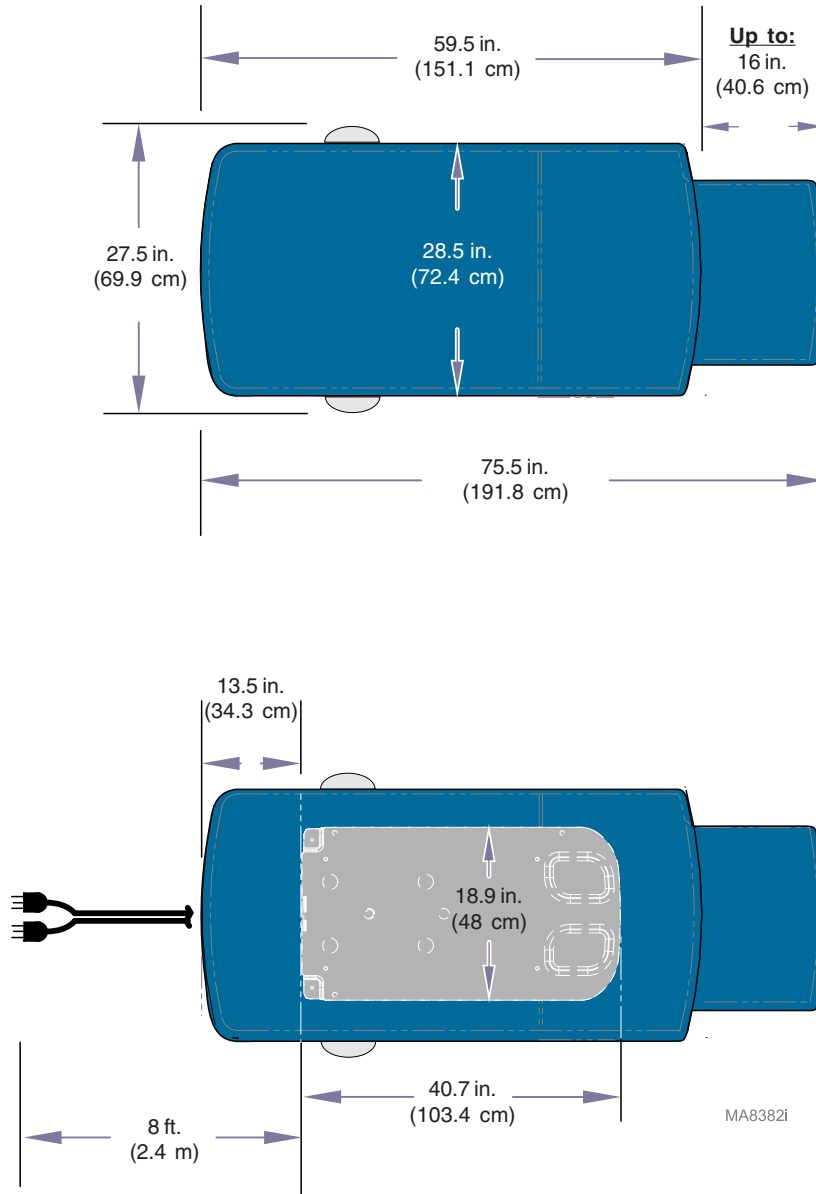
Model	Description	Serial Number Prefix	Complies To:					Electrical Ratings:		
			UL 60601-1	CAN/CSA 22-2, #601.1-M90	IEC 60601-1	EN 60601-1-2 (EMC)	CE	VAC +/- 10%	Amps	Cycles (Hz)
622-007	Midmark Manual Back Table w/ Receptacle	V	X	X	X	X	X	115	10.5	50/60
622-008	Midmark Manual Back Table w/ Receptacle, Drawer Heater, Pelvic Tilt, & Heated Upholstery	V	X	X	X	X	X	115	11.5	50/60
623-007	Midmark Power Back Table w/ Receptacle	V	X	X	X	X	X	115	12.5	50/60
623-008	Midmark Power Back Table w/ Receptacle, Pelvic Tilt Drawer Heater, & Heated Upholstery	V	X	X	X	X	X	115	13.5	50/60
623-009	Midmark Power Back Table - Export w/ Pelvic Tilt	V	X	X	X	X	X	230	3.75	50/60
623-010	Midmark Power Back Table - Export w/ Pelvic Tilt, Drawer Heater, & Heated Upholstery	V	X	X	X	X	X	230	4.25	50/60

Range of Motion & Dimensions



MA8381i

Range of Motion & Dimensions (continued)



Warranty Information

SCOPE OF WARRANTY

Midmark Corporation ("Midmark") warrants to the original retail purchaser that it will repair or replace components of the domestic and international medical products manufactured by Midmark (except for components not warranted under "Exclusions") that are defective in material or workmanship under normal use and service. Midmark's obligation under this warranty is limited to the repair or replacement, at Midmark's option, of the applicable components. This limited warranty shall only apply to defects that are reported to Midmark within the applicable warranty period and which, upon examination by Midmark, prove to be defective. This warranty extends only to the first retail purchaser of a product and is not transferable or assignable.

APPLICABLE WARRANTY PERIOD

The applicable warranty period, measured from the date of delivery to the original user, shall be one (1) year for all warranted products and components.

OBTAINING WARRANTY SERVICE

Warranty service must be obtained through either Midmark or an authorized dealer in the Midmark product line for which warranty service is requested. Midmark may be contacted for warranty service inquiries or issues via email at www.midmark.com; by phone at 1-800-MIDMARK; by facsimile at 1-800-365-8631; or by mail to Midmark Corporation, 60 Vista Drive, Versailles, Ohio 45380.

It is the retail purchaser's obligation to arrange for delivery of a product to Midmark or one of its authorized dealers for warranty service, which delivery shall be at retail purchaser's expense. It is also the retail purchaser's obligation to comply with the warranty service instructions provided either by Midmark or its authorized dealer. The retail purchaser must provide Midmark with completed warranty registration information within thirty (30) days after purchase in order to obtain the benefits of this warranty.

EXCLUSIONS

This warranty does not cover, and Midmark shall not be liable, for the following:

- (1) defects, damage or other conditions caused, in whole or in part, by misuse, abuse, negligence, alteration, accident, freight damage, tampering or failure to seek and obtain repair or replacement in a timely manner;
- (2) products which are not installed, used, and properly cleaned and maintained as required in the Midmark "Installation" and/or "Installation/Operation Manual" for the applicable product;
- (3) products considered to be of a consumable nature;
- (4) accessories or parts not manufactured by Midmark;
- (5) charges by anyone for adjustments, repairs, replacement parts, installation or other work performed upon or in connection with such products which are not expressly authorized in writing in advance by Midmark;
- (6) costs and expenses of routine maintenance and cleaning; and
- (7) representations and warranties made by any person or entity other than Midmark.

EXCLUSIVE REMEDY; CONSEQUENTIAL DAMAGES DISCLAIMER:

MIDMARK'S ONLY OBLIGATION UNDER THIS WARRANTY IS THE REPAIR OR REPLACEMENT OF DEFECTIVE PARTS. MIDMARK SHALL NOT BE LIABLE FOR AND HEREBY DISCLAIMS ANY DIRECT, SPECIAL, INDIRECT, INCIDENTAL, EXEMPLARY OR CONSEQUENTIAL DAMAGES OR DELAYS, INCLUDING, BUT NOT LIMITED TO, DAMAGES FOR LOSS OF PROFITS OR INCOME, LOSS OF USE, DOWNTIME, COVER AND EMPLOYEE OR INDEPENDENT CONTRACTOR WAGES, PAYMENTS AND BENEFITS.

NO AUTHORIZATION

No person or firm is authorized to create or approve for Midmark any other obligation or liability in connection with the products.

WARRANTY DISCLAIMER

THIS WARRANTY IS MIDMARK'S ONLY WARRANTY AND IS IN LIEU OF ALL OTHER WARRANTIES, EXPRESS OR IMPLIED. MIDMARK MAKES NO IMPLIED WARRANTIES OF ANY KIND INCLUDING ANY IMPLIED WARRANTIES OF MERCHANTABILITY OR FITNESS FOR A PARTICULAR PURPOSE. THIS WARRANTY IS LIMITED TO THE REPAIR OR REPLACEMENT OF DEFECTIVE PARTS.

STATUTE OF LIMITATIONS

No action may be brought against Midmark for breach of this limited warranty, an implied warranty, if any, or for any other claim arising out of or relating to the products, more than ninety (90) days following expiration of the limited warranty period.

Notes:

Language of origin: English

Midmark Corporation
60 Vista Drive
P.O. Box 286
Versailles, OH 45380-0286
Phone: 937-526-3662
Fax: 937-526-5542
www.midmark.com
© Midmark Corporation 2008



Because we care.