

## Podiatry Chair Upholstery Installation

### Applies to Models:

646 (all)

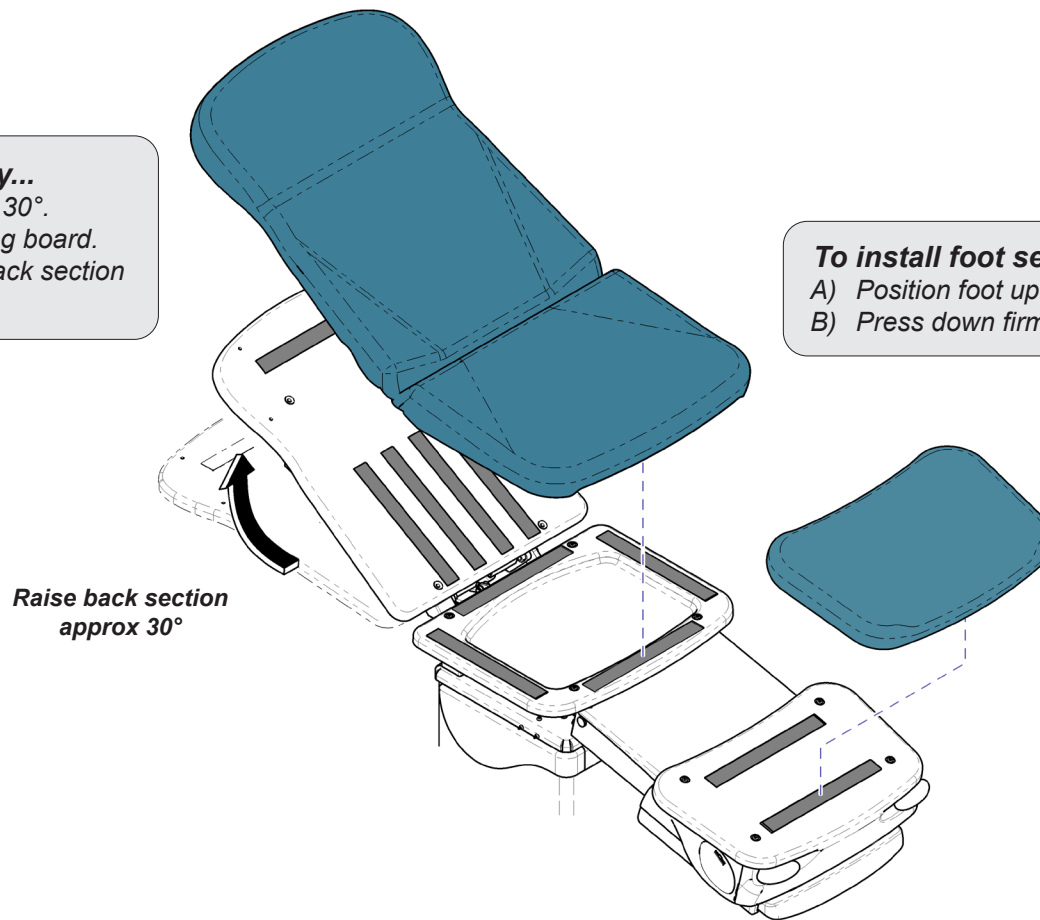
647 (all)

### Special Tools:

none

#### **To install seat / back section upholstery...**

- A) Raise back section of chair approximately 30°.
- B) Position front of seat uph. against mounting board.
- C) Press seat section down firmly, then lay back section into position and press down firmly.



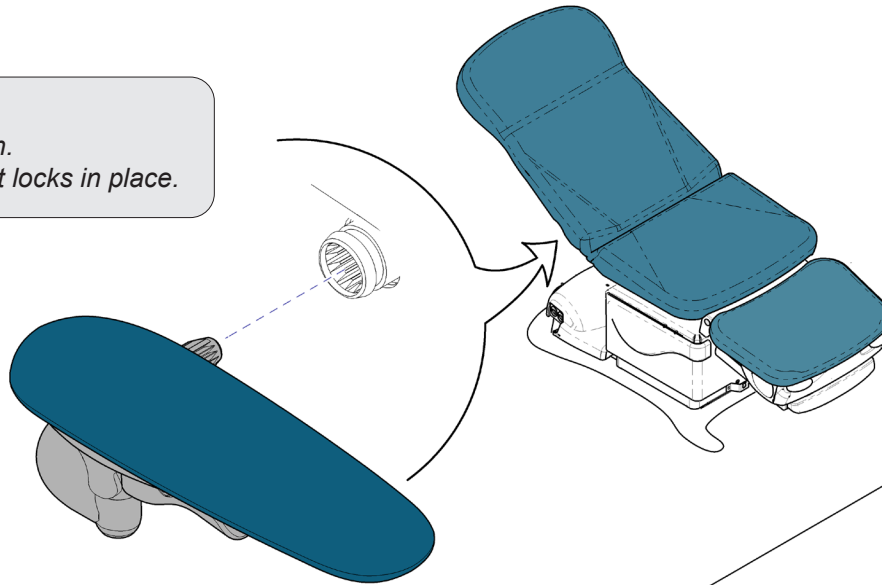
#### **To install foot section upholstery...**

- A) Position foot upholstery on mounting board.
- B) Press down firmly.

ArtHalf

**To install chair arms...**

- A) Position chair arm as shown.
- B) Insert arm into socket until it locks in place.



**To replace chair arm upholstery...**

- A) Remove two screws securing bottom cover.
- B) Remove four screws securing upholstered pad.
- C) Position new upholstered pad, then secure with four screws.
- D) Position bottom cover, then secure with two screws

