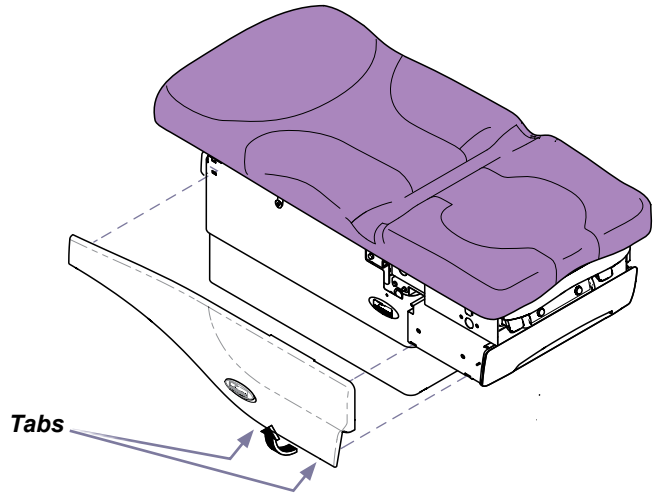




Main PC Board [002-1274-00, (S/N: V2200 thru V968527)]
[002-1422-00, (S/N: V968528 thru V1266165)]
[002-1610-00, (S/N: V1266166 thru Present)]

Components:
PC Board..... 1

Special Tools:
none



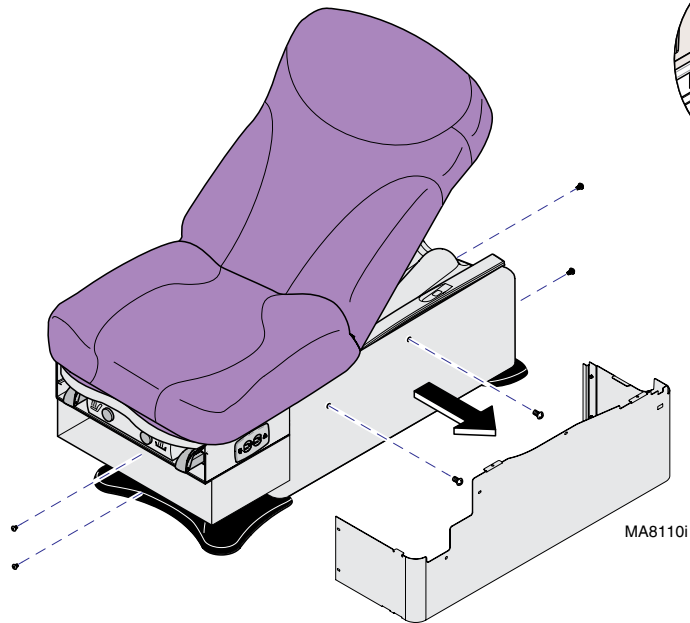
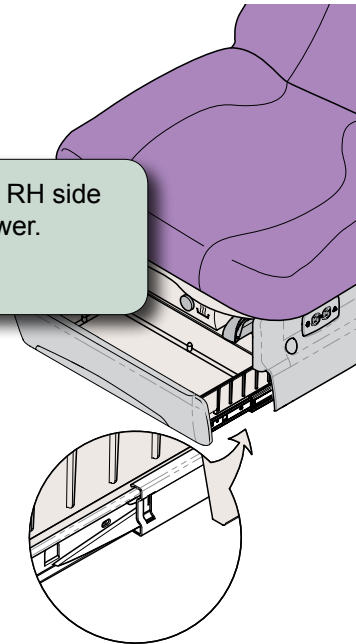
Step 1: Remove cladding.

Note
Lower table all the way down to remove shrouds.

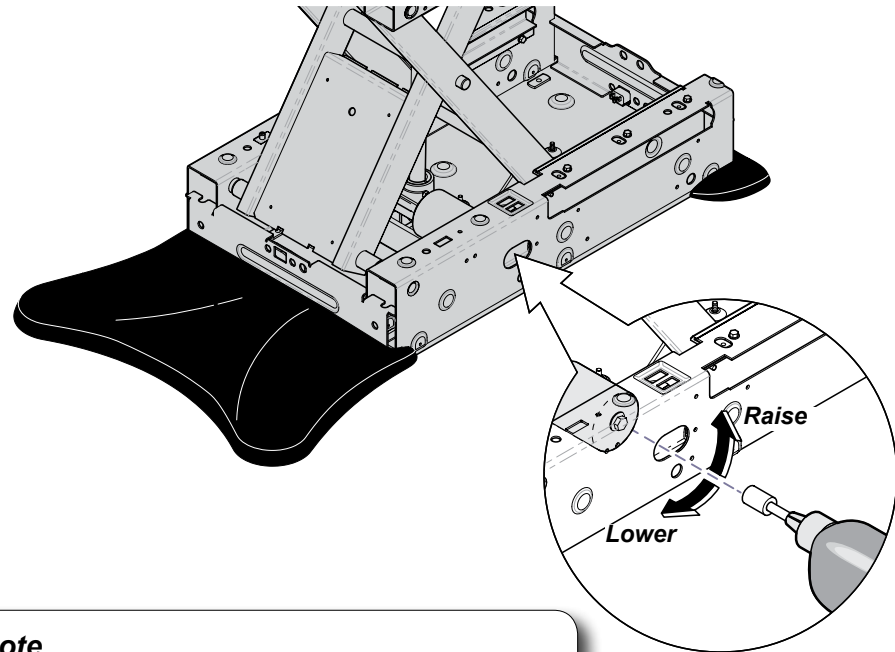
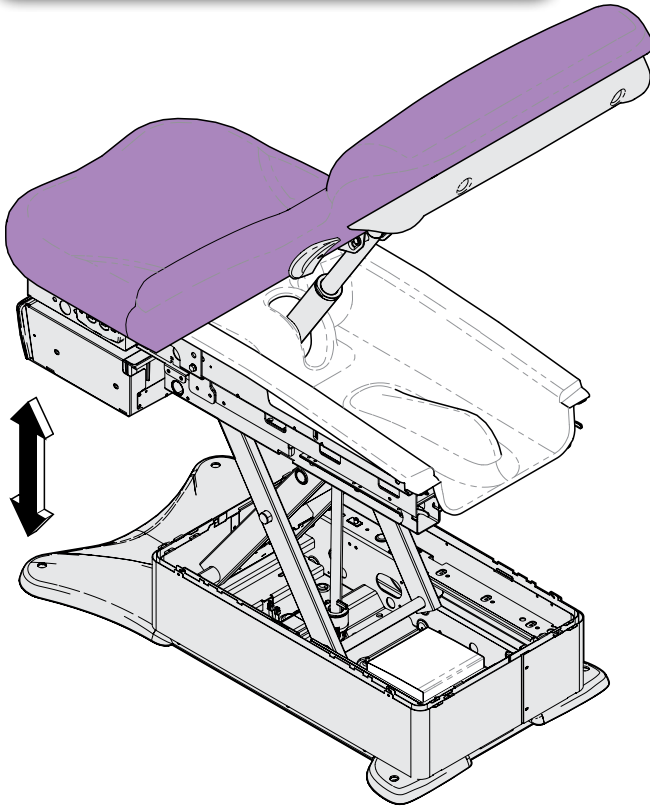
Step 3: Remove eight screws.
Remove outer shrouds.

Step 2: Push LH side lever UP and RH side lever DOWN. Remove drawer.

Note: Side levers are clear plastic.

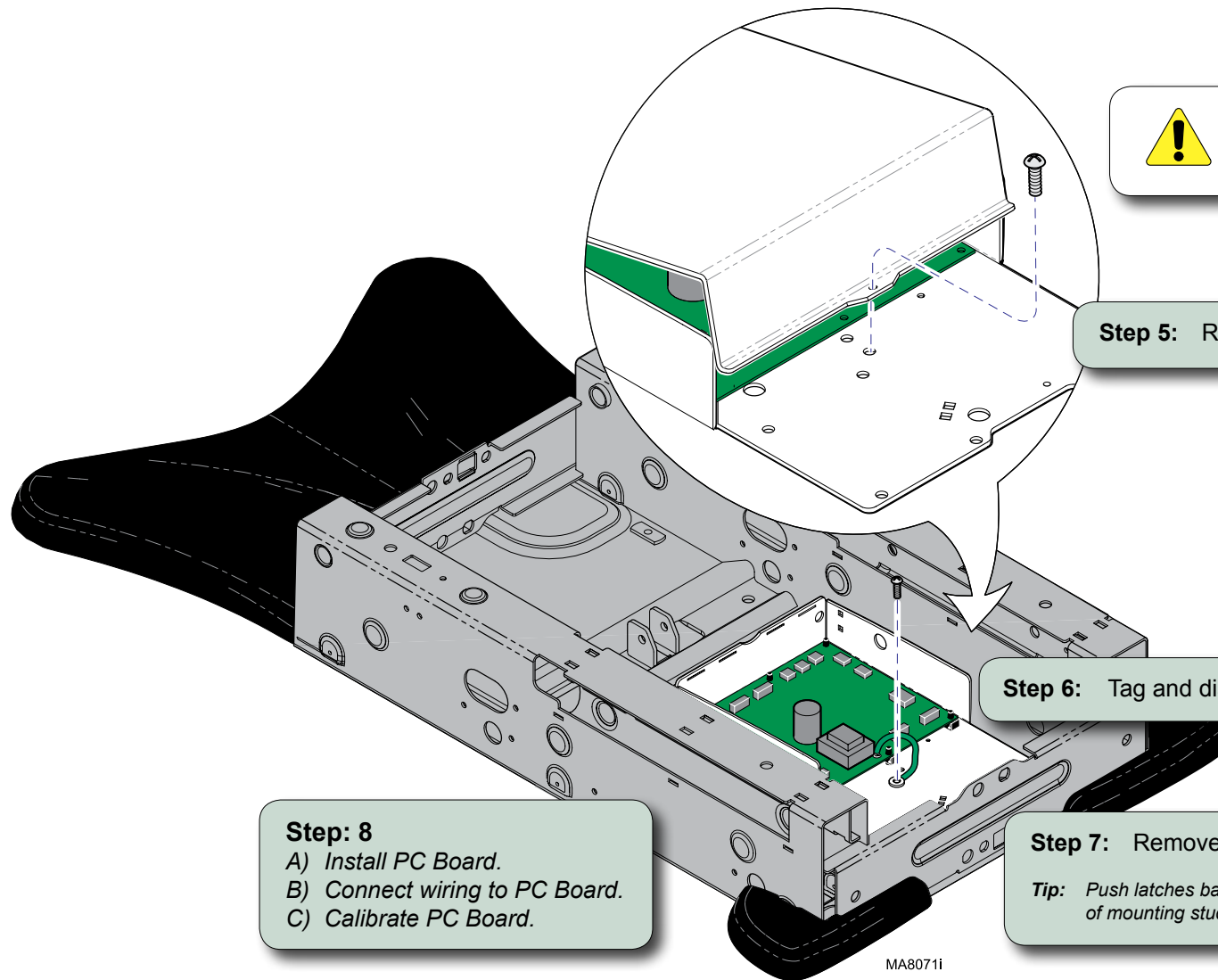


Step 4: Raise table to access PC Board.



Note
*If base is inoperable, remove middle & inner shrouds.
Manually raise / lower table.*

MA8116i



Caution

Unplug power cord before removing PC Board cover.

Step 5: Remove PC Board cover.

Step 6: Tag and disconnect wiring from PC Board.

Step: 8
A) Install PC Board.
B) Connect wiring to PC Board.
C) Calibrate PC Board.

Step 7: Remove PC Board.
Tip: Push latches back, then lift off of mounting studs.

Note
Anytime the PC Board is removed or the actuator wires are disconnected, the PC Board must be calibrated.

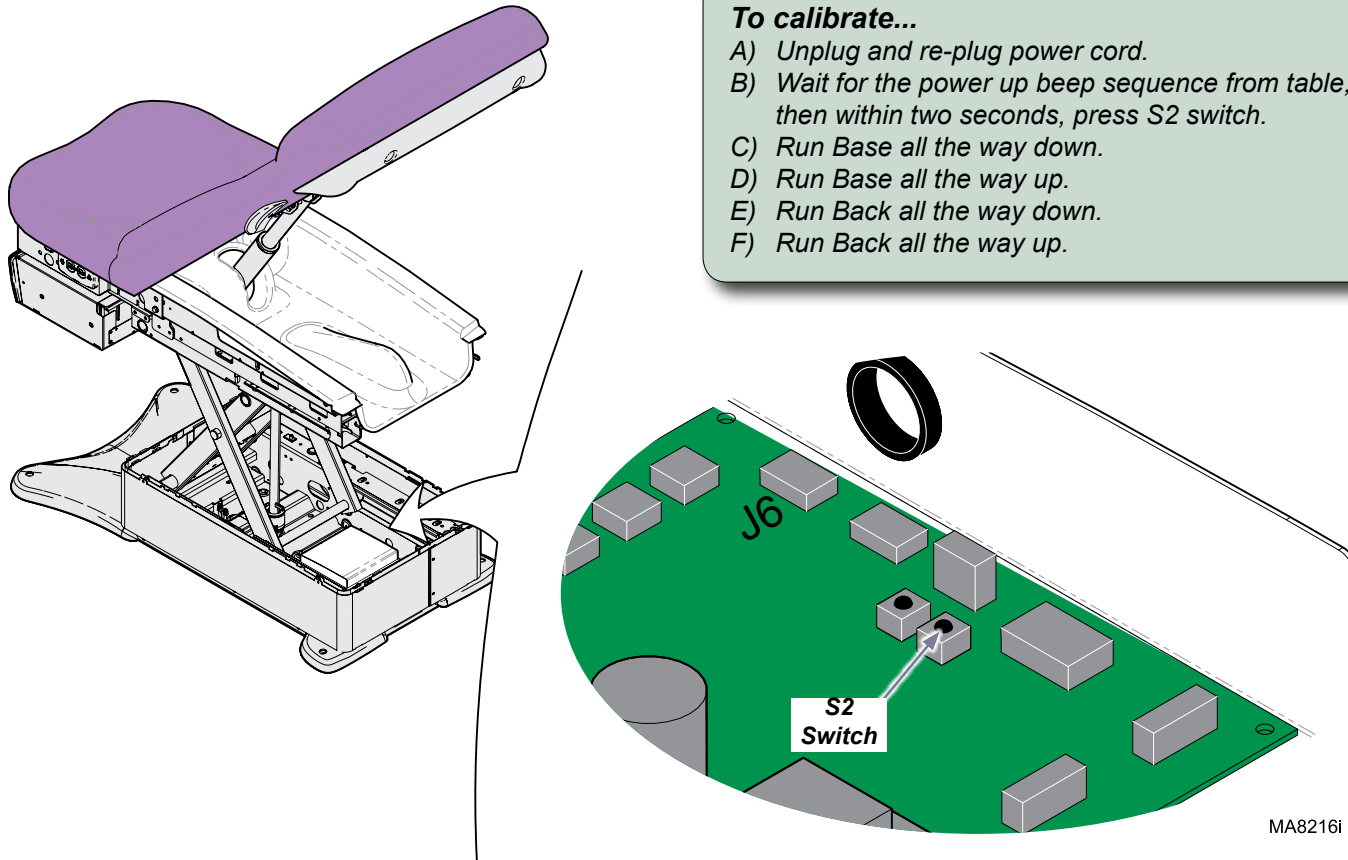
MA8071i

Note

When S2 switch is pressed you will hear a steady pattern of "beeps". When calibration is completed you will hear three short beeps.

To calibrate...

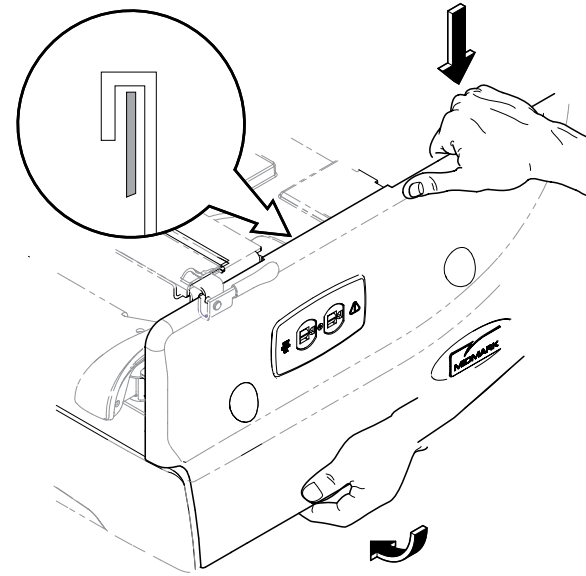
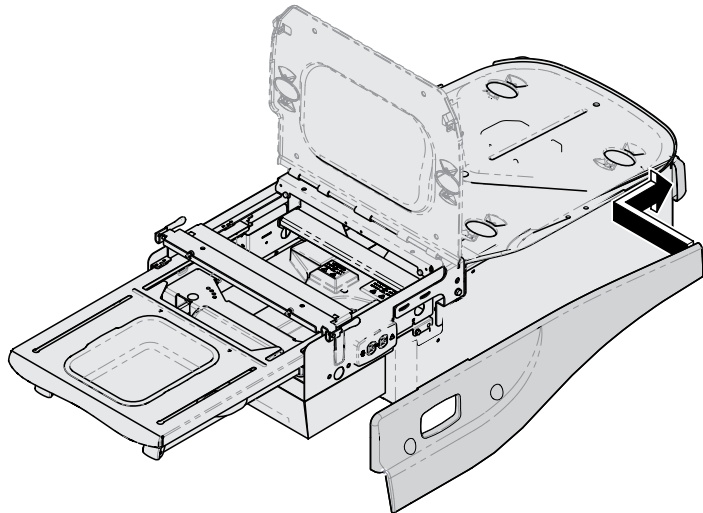
- A) Unplug and re-plug power cord.
- B) Wait for the power up beep sequence from table, then within two seconds, press S2 switch.
- C) Run Base all the way down.
- D) Run Base all the way up.
- E) Run Back all the way down.
- F) Run Back all the way up.



Step: 9

- A) Install PC Board cover.
- B) Install shrouds.

Note: Refer to removal procedure.



MA8111i

To install cladding...

- A) Insert tab at head-end of cladding into top shroud.
- B) Slide cladding over upperwrap.
- C) Pull bottom of cladding out, then push down on the top to engage the long tab onto top edge of upperwrap.
- D) Push bottom of cladding in, until two bottom tabs snap into place.



Because we care.