



Vaporizer Wall Mount [91800186]

Contents:
 Wall Mount Assy..... 1
 Mounting Bar..... 1
 Spacer Kit..... 1
 Language of origin: English

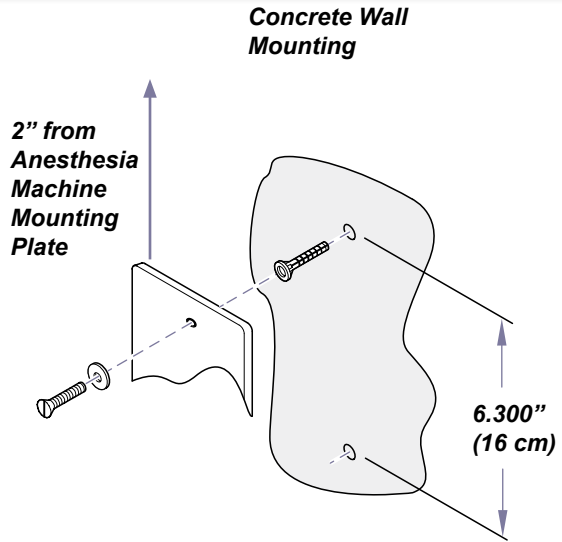
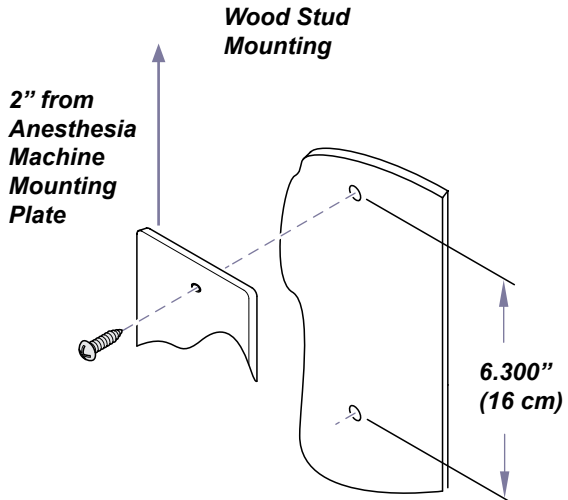
Intended Use:
 To provide wall mount for Matrx VIP 3000 Vaporizer.

WARNING
 Equipment is not suitable for use in the presence of a flammable anesthetic mixture.

Step 1: Install wall plate. If hanging below anesthesia machine, mounting block should have at least 2" clearance.
 Note: Mounting hardware not included for wall installation. Two screws are required for each mounting.

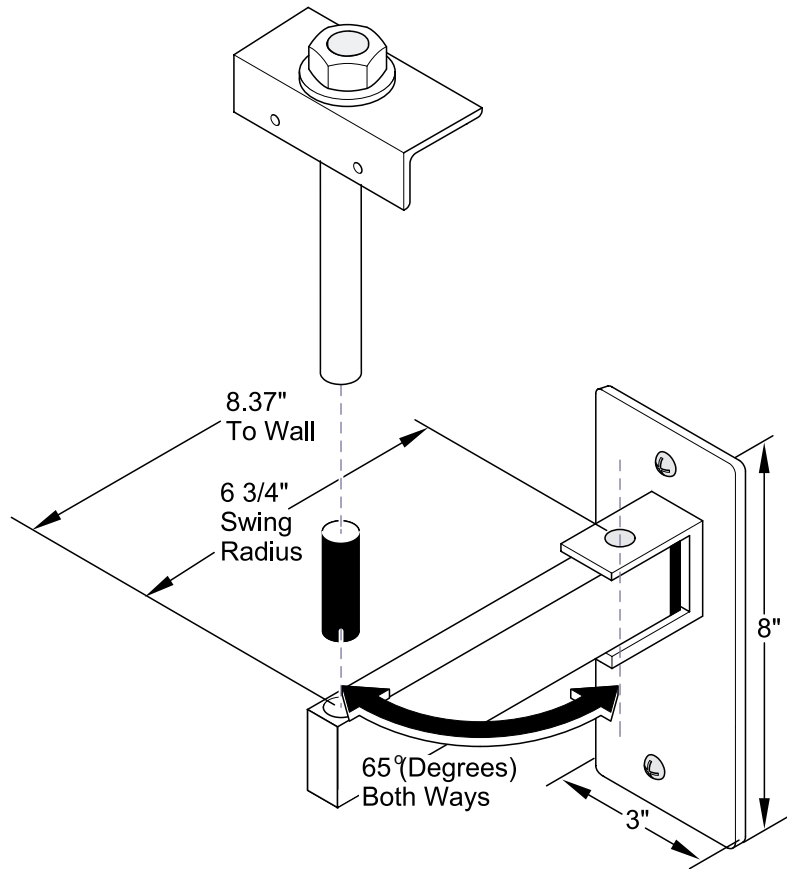
Wood Stud Mounting...
 Use #12 x 2 1/2" wood screw and #12 x 5/8" flat washer to mount wall bracket to wood stud thru 1/2" min dry wall.

Concrete Wall Mounting...
 A) Drill hole in wall for #12 lead anchor as instructed by anchor manufacturer.
 B) Drive anchor in wall.
 C) Use #12 x 2" screw and #12 x 5/8" flat washer to screw wall bracket into anchor.
 Note: Repeat for each mounting hole.



VA1669

Step 2: Slide mounting bar into swing arm.



Step 3: Mount vaporizer.

