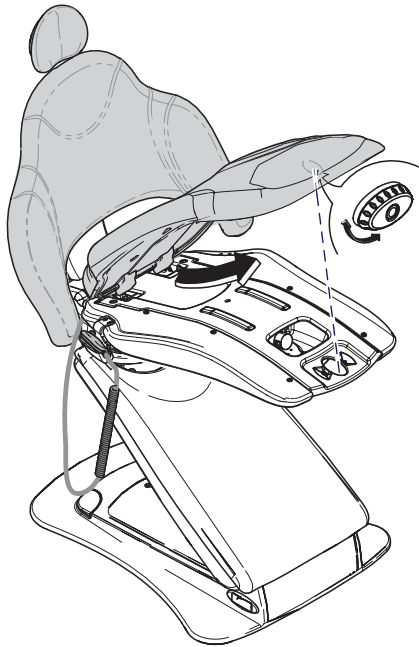


SerenEscape™ Remote with Adapter Kit [002-1487-00]

Kit Components:
 Adapter Harness..... 1
 Remote Harness..... 1

Special Tools:
 Torque wrench

Note: Torque wrench should be capable of 33 ft-lbs (44.7 Nm).



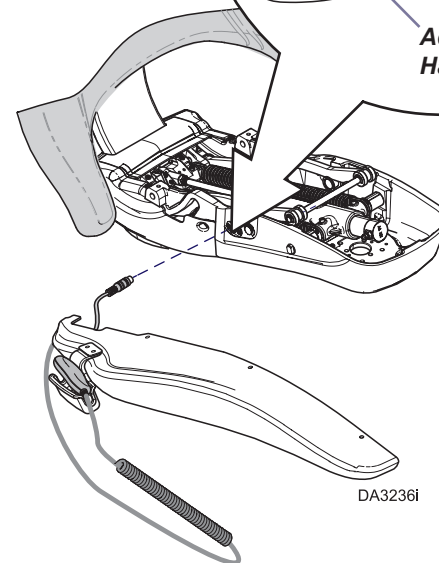
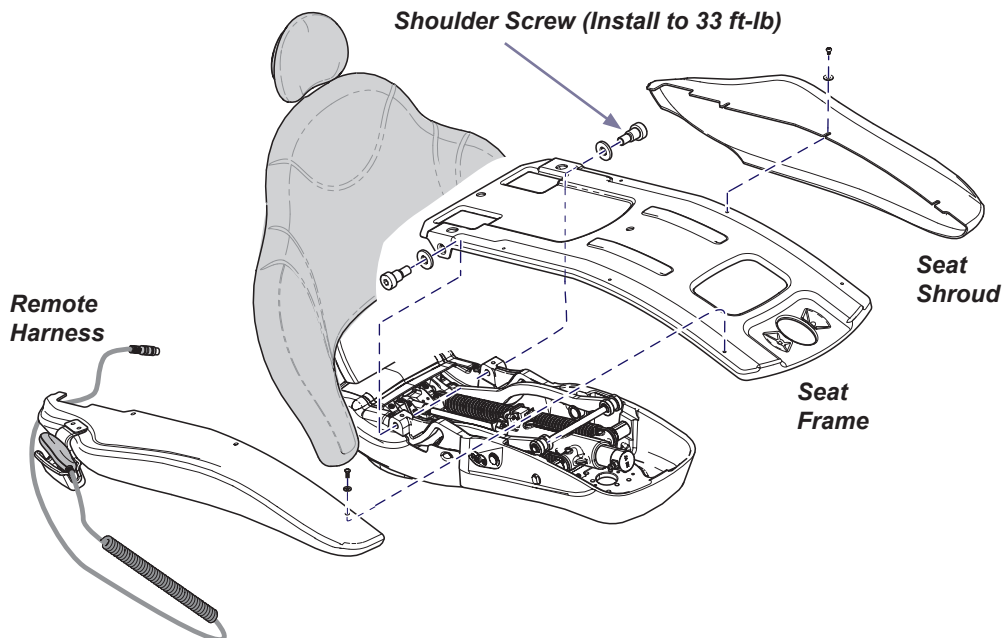
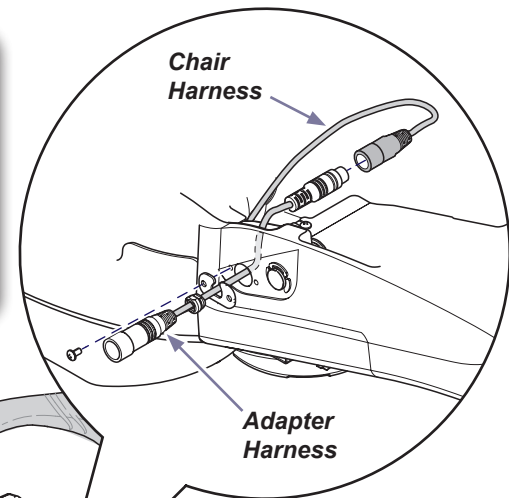
Step 1: Position chair and remove seat upholstery.

- A) Raise chair to a comfortable working height.
- B) Rotate lock knob and lift up to free seat upholstery from slots.
- C) Disconnect chair from power supply.

Step 2: Remove shroud and install adapter harness.

- A) Remove three screws/washers and both seat shrouds.
- B) Remove two washer/bolts and lift off seat frame.
- C) Disconnect and discard old remote harness.
- D) Connect new remote harness to adapter harness and route it thru the chair frame as shown.

Note: Shoulder Screws need torqued down 33 ft-lb when reinstalling seat frame.

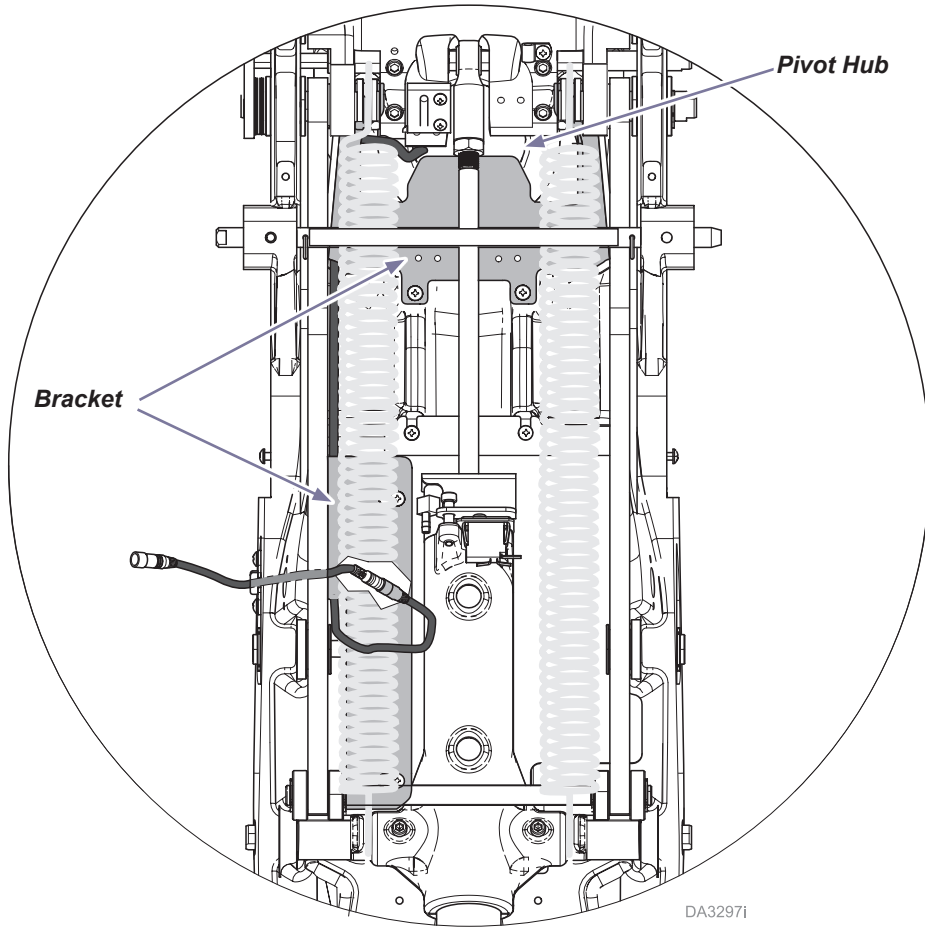


Step 3: Install remote chair harness.

- A) Route chair harness thru chair frame, keep it under under the brackets .
- B) Route chair harness into pivot hub.

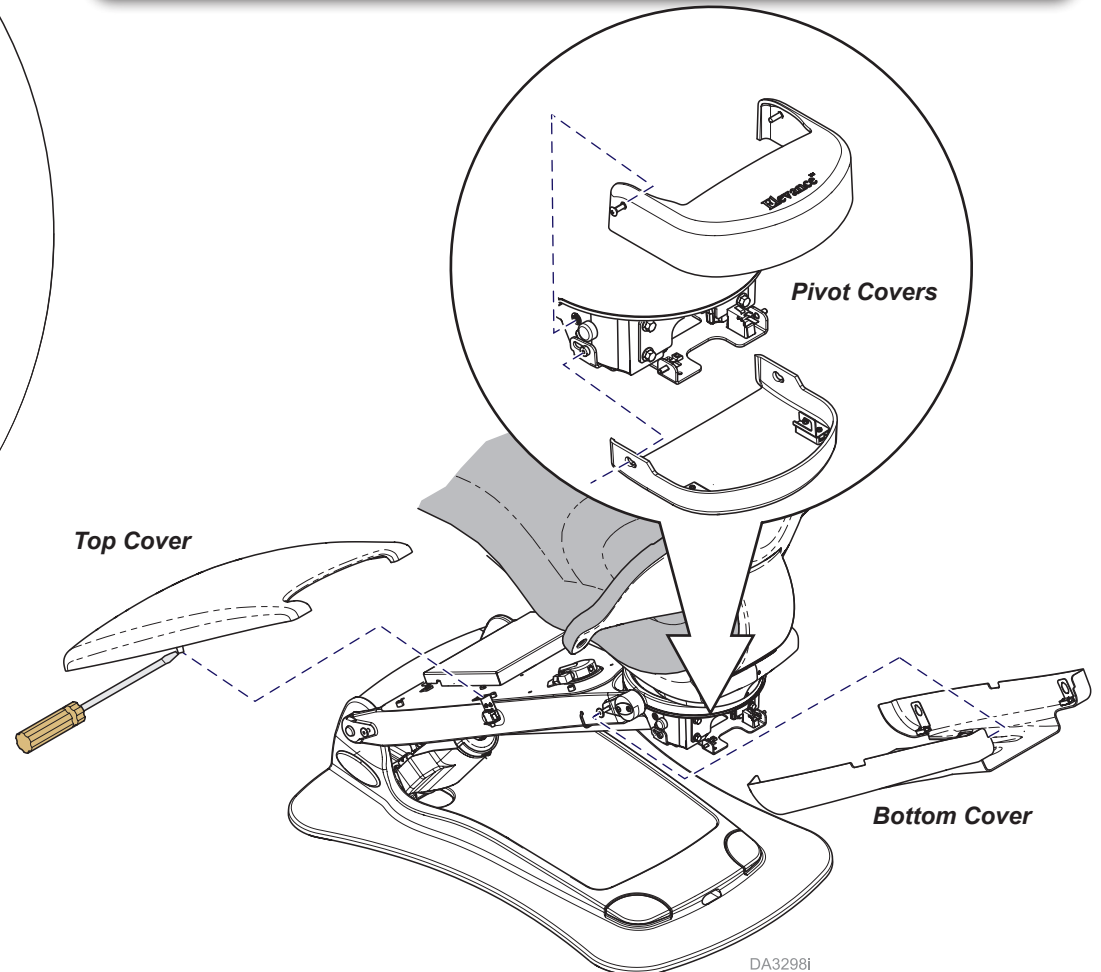


Top view



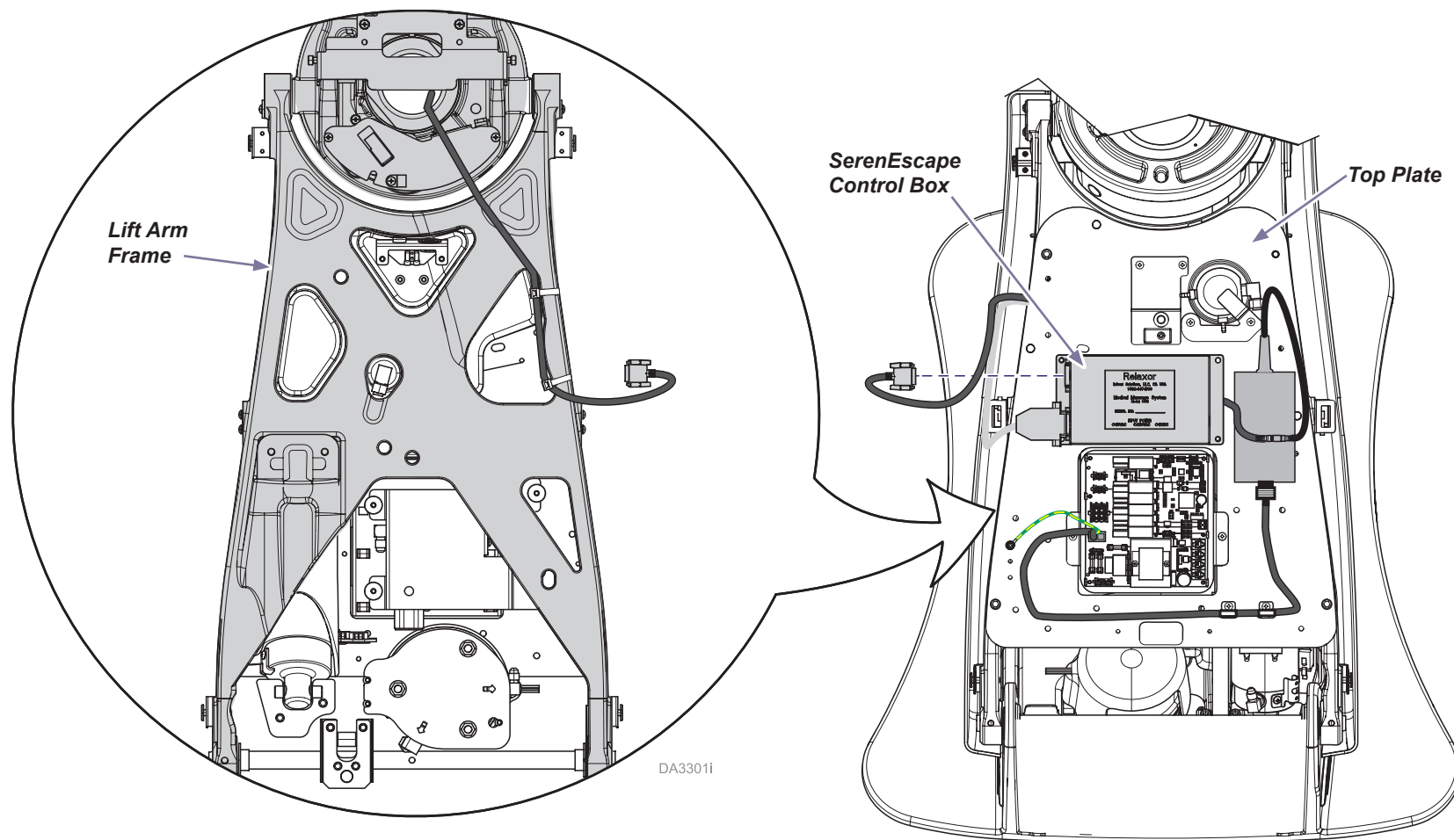
Step 4: Remove lift arm and pivot covers.

- A) Push in with screwdriver to release clips on top cover.
- B) Work bottom cover back and forth to remove from mounting pins.
- C) Remove two screws in top pivot cover.
- D) Work bottom pivot cover back and forth to remove from mounting pins.



Step 5: Route the remote chair harness under the lift arm.

- A) Secure remote chair harness to the lift arm frame with cable ties.
- B) Route harness around lift arm to the top plate.
- C) Connect harness to the SerenEscape™ control box.



Step 6: Install all covers and test.

- A) Install lift arm and pivot covers (see Step 4).
- B) Install seat frame and shrouds (see Step 2).
- C) Install upholstery and connect chair to power (see Step 1).
- D) Test SerenEscape™ remote control to verify functionality.