



# Barrier-Free<sup>®</sup> Exam Table with IQscale<sup>®</sup> and IQhub<sup>®</sup>

[English](#)  
[Español](#)  
[Français](#)

For Model:  
625 (-004)



## User's Guide

Style P

TP202 20-42-FO-00014 Rev A1 C2169

003-2425-99 Rev.CA1 (2/7/18)

# Product Information

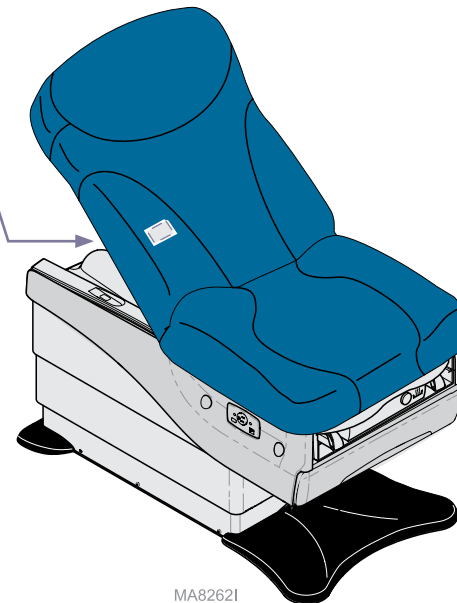
**Dealer :**

**Date of Purchase:**

**Model / Serial Number:**

**Midmark Authorized Service  
Company:**

**Model / Serial Number Label  
Located on the Back Mounting Frame**  
(exact location may vary)



MA8262I

# Table of Contents

## **Important Information**

<u>Safety Symbols</u> .....	4
<u>Transportation / Storage Conditions</u> .....	4
<u>Compliance Information</u> .....	5
<u>Intended Use</u> .....	6
<u>Electrical Requirements</u> .....	6
<u>Electromagnetic Interference</u> .....	6
<u>Disposal of Equipment</u> .....	6
<u>Digital Scale Accuracy</u> .....	7
<u>Safety Instructions</u> .....	7

## **Operation**

<u>IQscale® Operation</u> .....	9
<u>Base / Back Functions</u> .....	14
<u>Home Function</u> .....	15
<u>Quick Exam® Function</u> .....	16
<u>Exam Assistant® Drawer System</u> .....	17
<u>Paper Roll &amp; Tear Strap</u> .....	18
<u>Stirrups</u> .....	19
<u>Footrest &amp; Treatment Pan</u> .....	20
<u>Drawer Heater</u> .....	20
<u>Pelvic Tilt</u> .....	21
<u>Simplex Receptacles</u> .....	22
<u>IQhub® Operation</u> .....	23

## **Maintenance**

<u>Calling for Service</u> .....	27
<u>Cleaning</u> .....	27
<u>Preventative Maintenance</u> .....	27
<u>Troubleshooting</u> .....	28

## **Specifications**

<u>Weights, Dimensions, Electrical Specifications</u> .....	29
<u>Model Identification / Compliance Chart</u> .....	30
<u>Range of Motion &amp; Dimensions</u> .....	31

## **Warranty Information**


<u>Limited Warranty</u> .....	33
-------------------------------	----


# Important Information

## Safety Symbols


 **DANGER**  
Indicates an imminently hazardous situation which will result in serious or fatal injury. This symbol is used only in the most extreme conditions.


 **WARNING**  
Indicates a potentially hazardous situation which could result in serious injury.

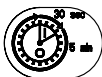
 **Caution**  
Indicates a potentially hazardous situation which may result in minor or moderate injury. It may also be used to alert against unsafe practices


 **Equipment Alert**  
Indicates a potentially hazardous situation which could result in equipment damage.

**Note**  
Amplifies a procedure, practice, or condition.


 Consult User Guide for important information


 Protective earth ground


 Duty Cycle (motor run time):  
30 seconds ON, 5 minutes OFF

 Fuse rating specification


 Keep dry


 Type B, Applied Part

 Proper Shipping Orientation

 Maximum stacking height  
(palletted units)

 Fragile

 Emergency Stop

 Patient weight limit

## Transportation / Storage Conditions

Ambient Temperature Range:.....41°F to 104°F (5°C to 40°C)  
Relative Humidity.....10% to 90% (non-condensing)  
Atmospheric Pressure .....500hPa (.49 atm) to 1060hPa (1.04 atm)

# ***Compliance Information***

## ***FCC Compliance Statement***

This equipment has been tested and found to comply with the limits for a class A digital device, pursuant to part 15 of the FCC rules. These limits are designed to provide reasonable protection against harmful interference when the equipment is operated in a commercial environment. This equipment generates, uses, and can radiate radio frequency energy and, if not installed and used in accordance with the instruction manual, may cause harmful interference to radio communications. Operation of this equipment in a residential area is likely to cause harmful interference in which case the user will be required to correct the interference at their own expense.

Any modifications to this product may violate the rules of the Federal Communications Commission and make operation of the product unlawful.

## ***IC Compliance Statement***

### **Interference**

“This device complies with Industry Canada license-exempt RSS standard(s). Operation is subject to the following two conditions: (1) this device may not cause interference, and (2) this device must accept any interference, including interference that may cause undesired operation of the device.”

“Le présent appareil est conforme aux CNR d'Industrie Canada applicables aux appareils radio exempts de licence. L'exploitation est autorisée aux deux conditions suivantes: (1) l'appareil ne doit pas produire de brouillage, et (2) l'utilisateur de l'appareil doit accepter tout brouillage radioélectrique subi, même si le brouillage est susceptible d'en compromettre le fonctionnement.”

### **Antennas**

“Under Industry Canada regulations, this radio transmitter may only operate using an antenna of a type and maximum (or lesser) gain approved for the transmitter by Industry Canada. To reduce potential radio interference to other users, the antenna type and its gain should be so chosen that the equivalent isotropically radiated power (e.i.r.p.) is not more than that necessary for successful communication.”

“Conformément à la réglementation d'Industrie Canada, le présent émetteur radio peut fonctionner avec une antenne d'un type et d'un gain maximal (ou inférieur) approuvé pour l'émetteur par Industrie Canada. Dans le but de réduire les risques de brouillage radioélectrique à l'intention des autres utilisateurs, il faut choisir le type d'antenne et son gain de sorte que la puissance isotrope rayonnée équivalente (p.i.r.e.) ne dépasse pas l'intensité nécessaire à l'établissement d'une communication satisfaisante.”

## ***Intended Use***

The examination table is intended to be used as a chair / table to provide positioning and support of patients during general examination procedures conducted by medical professionals.

With the addition of the integrated digital scale, the examination table is additionally intended to be used for regular monitoring to assess patient weight change, as well as measuring patient weight to assist medical diagnosis. The integrated digital scale is not intended to be used for patients that weigh less than 30 pounds (13.6 kilograms) or more than 650 pounds (295 kilograms).

## ***Electrical Requirements***

*Before connecting the Midmark device power cord into an electrical power source outlet, it is recommended to contact a local licensed electrician or a local Authority Having Jurisdiction over the internal building power distribution to verify that the device when powered up will comply with all local electrical codes. Use the electrical power rating marked on the device when determining the appropriate electrical branch circuit and outlet requirements. For 115V rated device models with a current rating at or above 12 Amps, a dedicated branch circuit may be required if the branch circuit protection is provided by a 15 Amp breaker.*



### **Caution**

*When using high frequency surgical devices or endocardial catheters:*

- *Use non-conductive material to insulate patient from metal portions of the chair.*
- *Consult operating instructions for the device before using in conjunction with drawer or upholstery heaters.*

*Failure to comply may result in electric shock or burns to patient.*

## ***Electromagnetic Interference***

This product is designed and built to minimize electromagnetic interference with other devices. However, if interference is noticed between another device and this product:

- Remove interfering device from room
- Plug chair into isolated circuit
- Increase separation between chair and interfering device
- Contact Midmark if interference persists

## ***Disposal of Equipment***

At the end of product life, the chair, accessories, and other consumable goods may become contaminated from normal use. Consult local codes and ordinances for proper disposal of equipment, accessories and other consumable goods.

## Digital Scale Accuracy



### Equipment Alert

Before using the digital scale, verify the scale is measuring accurately using a reference weight of known value. In addition, refer to the Preventive Maintenance Schedule for the recommended frequency of this check. If the scale is determined to be out of calibration, contact your authorized Midmark service provider before using the scale.

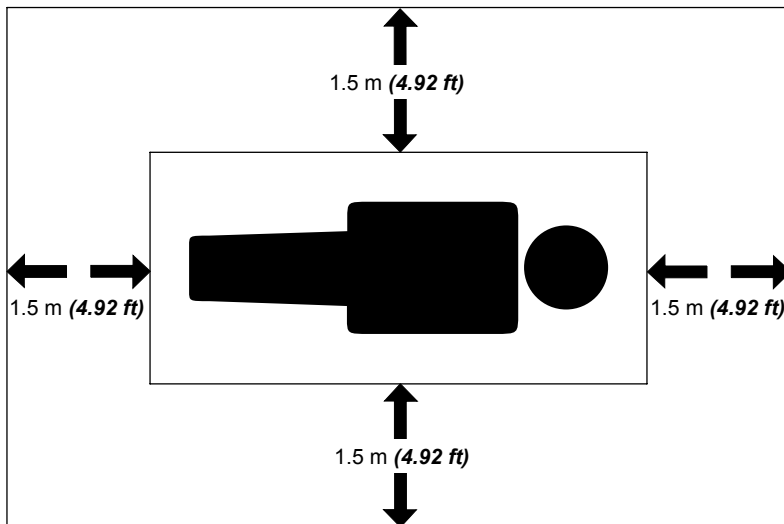
## Safety Instructions



### WARNING

**Risk of Electrical Shock Hazard: Accessory equipment connected to the SIP/SOP port must be certified according to the respective IEC standards, i.e., IEC 60950 for data processing equipment or IEC 60601-1 for electromedical equipment. All combinations of equipment must be in compliance with IEC 60601-1 systems requirements. Anyone connecting additional equipment to the SIP/SOP port configures a medical system, and therefore is responsible that the system complies with the requirements of the system standard IEC 60601-1-1.**

**IEC 60950 approved Information Technology Equipment must be placed outside the "patient environment." The patient environment is defined as an area 1.5 m (4.92 feet) from the patient.**



MA83171

**The following options are recommended if there is a need to remediate system leakage current:**

- **Redundant protective earth connection shall be made to either the medical device or the other equipment.**
- **The other equipment shall be powered from a medical grade (IEC 60601-1 compliant) separating transformer.**

## Safety Instructions - continued



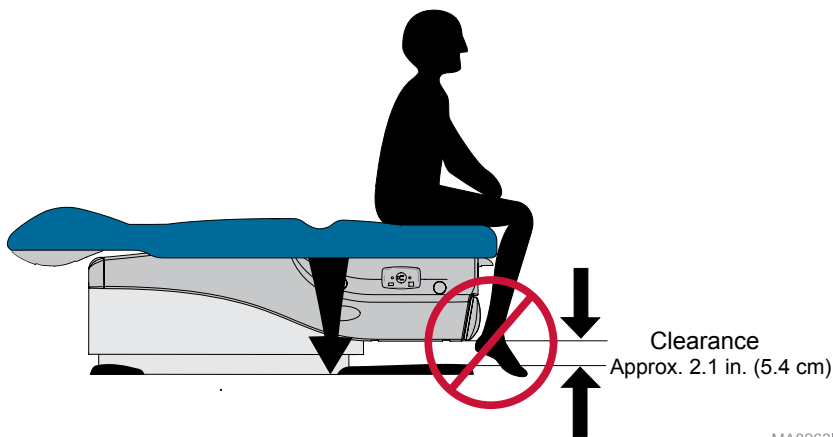
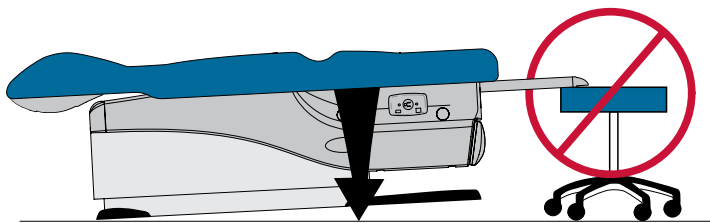
### Caution

Be sure that all personnel and equipment are clear of the table before activating any function. Failure to do so could result in personal injury.

At the table's lowest height [18 in. (45.7 cm)], the clearance between the bottom of the drawer and the floor is approximately 2.1 in. (5.4 cm). Make sure patient (esp. feet) and all objects are clear of this area before lowering table.

If the table malfunctions, immediately release foot pedal, unplug the table power cord, and assist the patient from the table. If table continues to malfunction, call for service.

Failure to comply with these instructions may result in injury to patient and/or damage to equipment.



MA8263I



# Operation

## IQscale® Functions

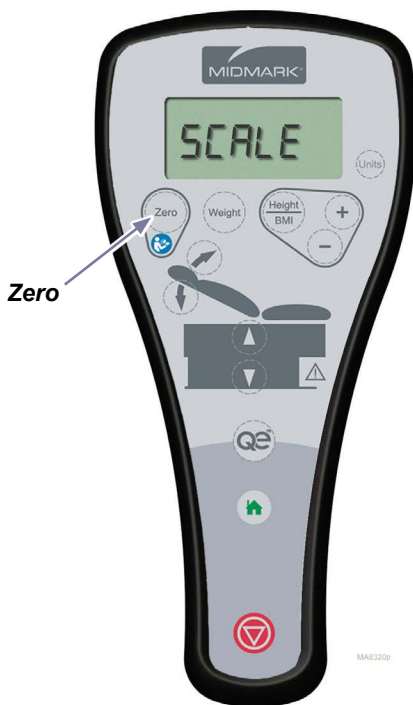
Best practice is to always zero the scale prior to weighing the patient. For details, please refer to the weighing guidelines in this manual.

### Note

*Before seating patient on exam table, ensure the scale has been zeroed. Failure to do so may affect the measurement of the patient's weight.*

### To zero the scale...

*Before seating patient, press and release the Zero button. The display will flash "Scale Ready"; the zero operation is complete and the patient may be seated.*



## IQscale® Functions - continued



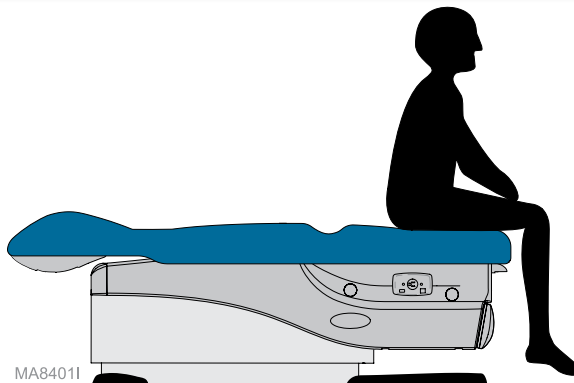
### Caution

The scale is intended for use with patients who weigh between 30 and 650 lbs (13.6 / 295 kg). For weights below 30 lbs (13.6 kg) or above 650 lbs (295 kg), the display will flash the weight reading to indicate the weight is out of range. Do not use an out of range (flashing) weight reading for patient measurements.

### To measure the patient's weight...

With patient in the seated position, press & release the Weight button.

Note: To prevent the patient's feet from touching the ground, the table will automatically rise to a height of twenty five inches prior to displaying patient weight.



### To calculate the patient's BMI...

- After patient weight is displayed, press and release the Height / BMI button.
- Press the (+) or (-) buttons to increase or decrease patient height on display.
- Press the Height / BMI button again to display patient BMI.



## Auto Zero Configuration

Best practice is to always zero the scale prior to weighing the patient. For details, please refer to the weighing guidelines on the next page.

In addition, at regular intervals the digital scale will zero itself automatically. This auto zero will only be performed when there are no patients present.

This auto zero function can be enabled or disabled if needed. The default factory setting is for auto zero to be enabled.

### Note

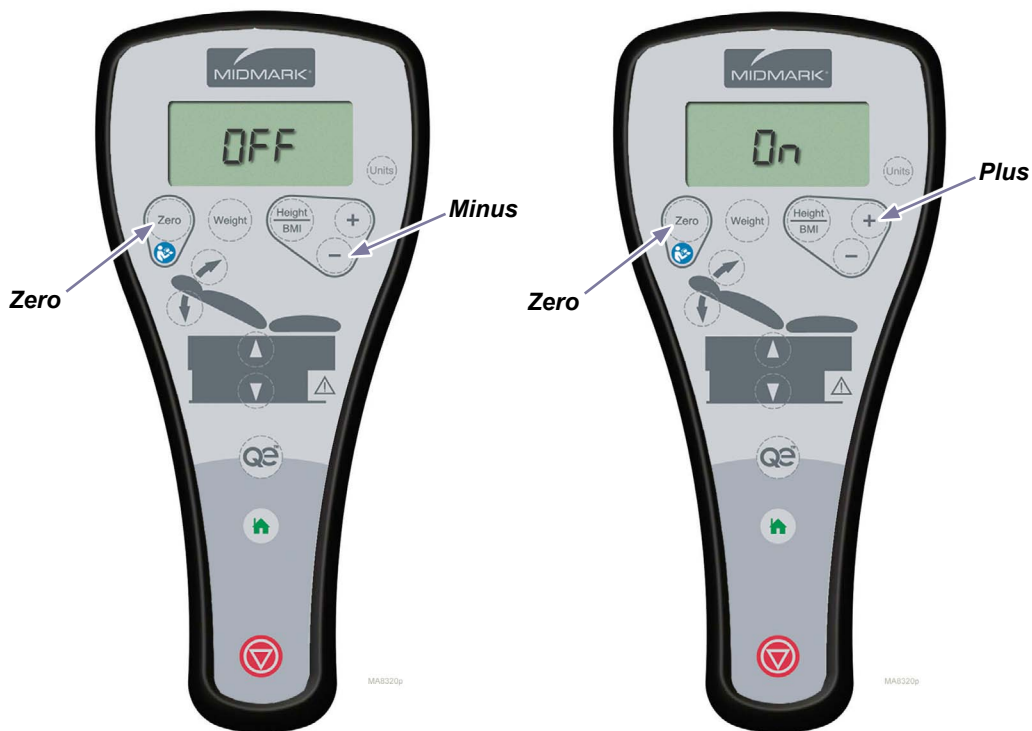
*Before seating patient on exam table, ensure the scale has been zeroed. Failure to do so may affect the measurement of the patient's weight.*

### To Disable:

- Press and hold the “Zero” and “Minus” buttons at the same time for five seconds.
- The display will flash “auto zero off”. Auto zero is now disabled and the scale is ready for use.

### To Re-enable:

- Press and hold the “Zero” and “Plus” buttons at the same time for five seconds.
- The display will flash “auto zero on”. The auto zero is now enabled and the scale is ready for use.



# Units Configuration

*(Applies to units with software version 141 and higher)*

## **Note**

To verify the software version, remove and reinstall the hand control batteries. The software version will be displayed momentarily on the hand control.

The Units key will be used to lock the units (English or Metric), and to unlock the units. The Units key will behave differently depending if the units are locked or unlocked.

### **If Units are unlocked:**

- When the display is blank releasing the Units key will show the current units indicator.
- When the display is showing only the units indicator then releasing the Units key will cause the Units indicator to toggle between displays showing inch/lb and cm/kg.
- When the display is showing only the units indicator then holding the Units key for 5 seconds will cause the LCD to display the following message 'UnitS','LOC',' ' repeat 3 times.
- When the display is showing Weight, pressing and releasing the Units key will toggle the units indicator between lb/kg and display the weight in the new units.
- When the display is showing Height, pressing and releasing the Units key will toggle the units indicator between in/cm and display the height in the new units.

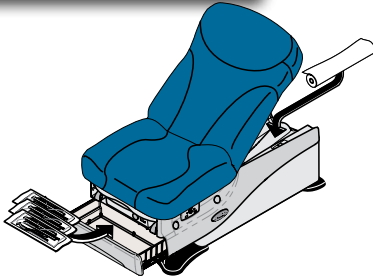
### **If Units are locked:**

- When the display is blank releasing the Units key will show the current Units indicator.
- When the display is showing only the units indicator then releasing the Units key will do nothing
- When the display is showing only the units indicator then holding the Units key for 5 seconds will cause the LCD to display the following message 'UnitS','UnLOC',' ' repeat 3 times.
- When the display is showing Weight, pressing the Units key will toggle the units indicator between lb/kg and display the weight in the new units. Releasing the Units key will toggle the units indicator back to the previous units.
- When the display is showing Height, pressing the Units key will toggle the units indicator between in/cm and display the height in the new units. Releasing the Units key will toggle the units indicator back to the previous units.

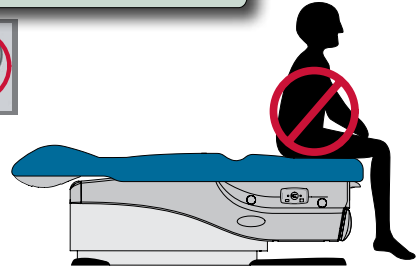


To ensure proper weighing of patients please review the following guidelines.

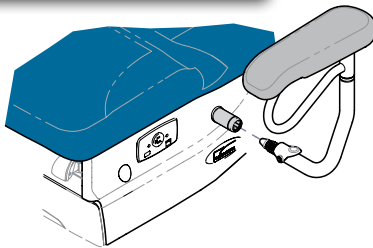
**Do** zero the scale after adding or removing supplies.



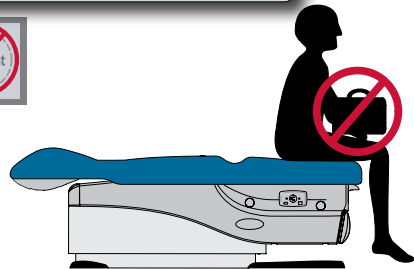
**Don't** zero the scale while the patient is on the table.



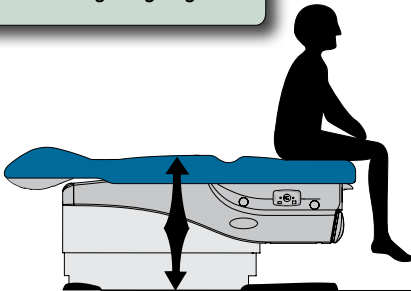
**Do** zero the scale after adding or removing equipment.



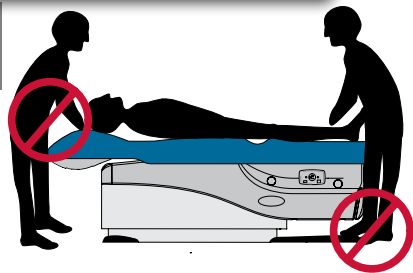
**Don't** weigh patients holding items such as purses, coats etc.



**Do** ensure the patient's feet are off the floor during weighing.



**Don't** lean, step or otherwise apply load to table while measuring weight.



## Base / Back Functions

### To operate the Base / Back functions...

Press & hold the Up or Down arrow button for the desired function.

Note: The table automatically stops at its maximum and minimum height.  
In the event of a malfunction, press the Stop button to terminate movement.



### Equipment Alert

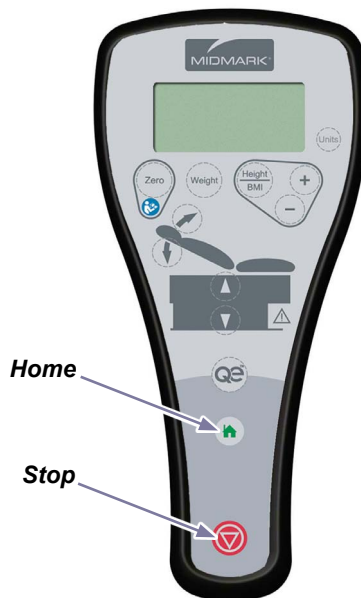
If the table's weight limit is exceeded, you will hear a "beep" and the function will be disabled. If the problem occurs with a normal load, contact your service technician.

## 'Home' Function

The Home function automatically lowers the table to approximately 20" (51 cm).

**To activate the Home function...**  
*Press & release the Home button.*

*Note: In the event of a malfunction, press the Stop button to terminate movement.*



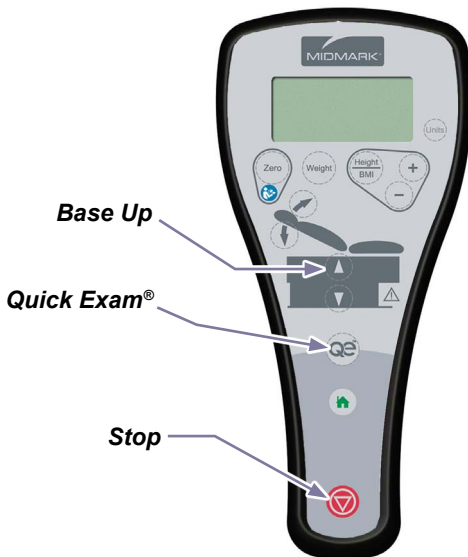
## Quick Exam® Function

The Quick Exam® function automatically commands the table seat height to a programmed position.

### To program the Quick Exam® function...

- Press the Base Up button to move the table to the desired position.
- Press & hold the Quick Exam® & Base Up buttons simultaneously for three seconds.

Note: You will hear a brief chirp when the new Quick Exam® position is saved.



### To activate the Quick Exam® function...

Press & release the Quick Exam® button.

Note: In the event of a malfunction, press the Stop button to terminate movement.



### Equipment Alert

If the table's weight limit is exceeded, you will hear a "beep" and the function will be disabled. If the problem occurs with a normal load, contact your service technician.



# Exam Assistant® Drawer System

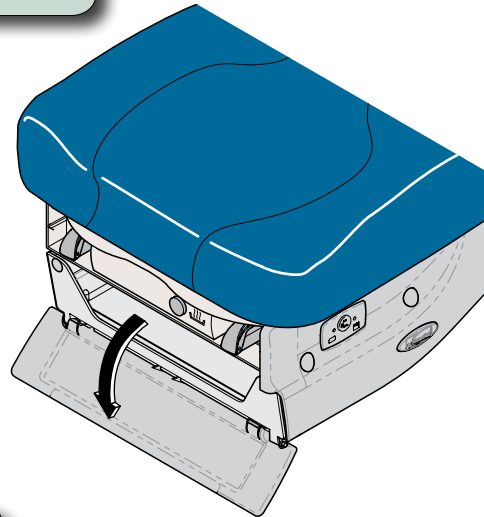
**To use the drawer front as a shelf...**

*Pull drawer front down to release the magnetic latch.*



**Equipment Alert**

*The maximum weight the shelf will support is 10 lbs (4.5 kg).*



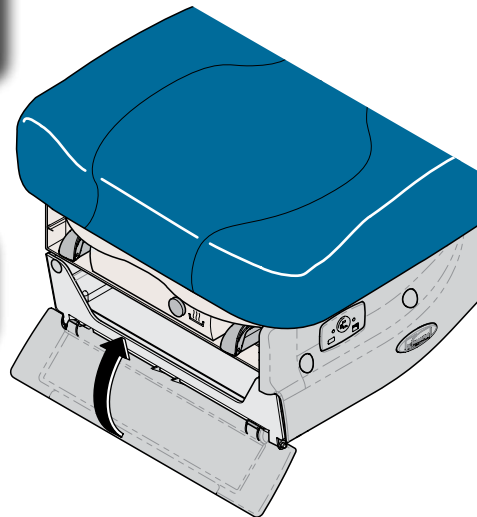
**If drawer front folds past horizontal...**

*Pull drawer front upward until it snaps back into the horizontal position.*



**Equipment Alert**

*If drawer front folds past horizontal, do not operate table.*



MA8264I

## Paper Roll & Tear Strap

Upholstery sets are available in two widths: 28" (standard) & 32" (optional).  
Paper rolls of common size may be stored under the back section as follows:

<u>Uph. Width</u>	<u>Paper Roll Size</u>	<u>Max. Qty.</u>
28 in.	21 in. long x 3.0 in. diameter (53.3 cm x 7.6 cm).....	4
28 in.	21 in. long x 3.5 in. diameter (53.3 cm x 8.9 cm).....	2
32 in.	24 in. long x 3.0 in. diameter (70 cm x 7.6 cm).....	2
32 in.	24 in. long x 3.5 in. diameter (70 cm x 8.9 cm).....	1

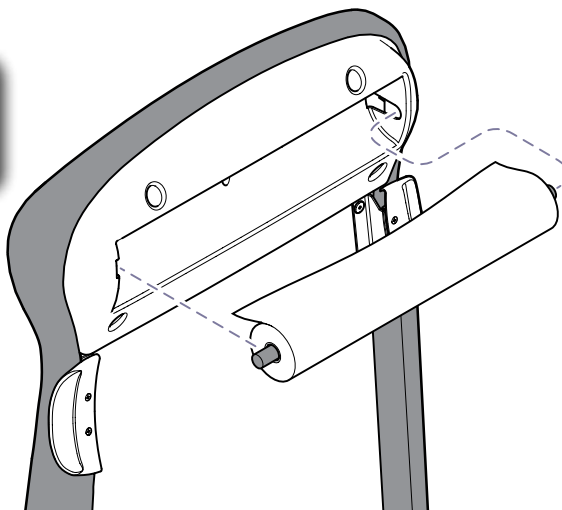


### Warning

To avoid injury, do not put head or extremities under the paper tear strap.

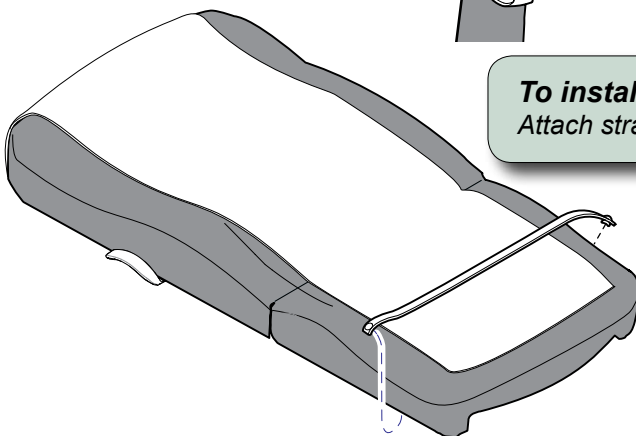
### To install paper roll...

Insert rod ends into sockets  
under head end of upholstery.



### To install paper tear strap...

Attach strap to snaps on each side of table.



MA8018i

# Stirrups

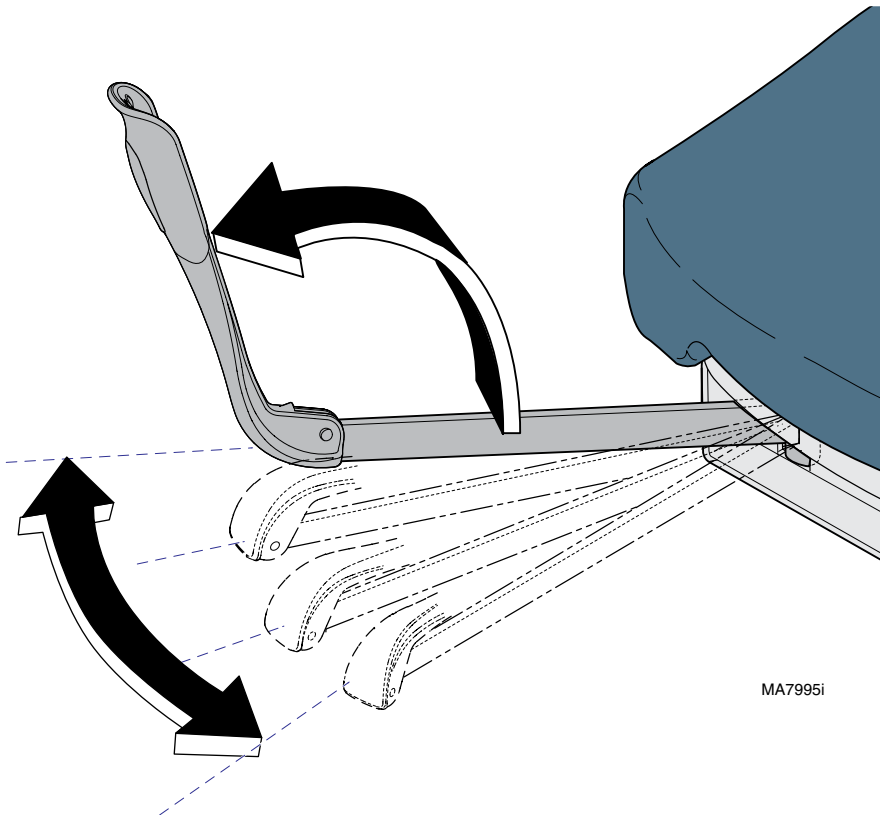


## **Caution**

*Be sure the stirrups are locked in place before using.  
The stirrups will not support the patient's entire weight.*

## **To position the stirrups...**

- A) *Pull the stirrup out, then unfold.*
- B) *Lift the stirrup slightly, then move it left or right as desired.*
- C) *Release stirrup to lock in position.*



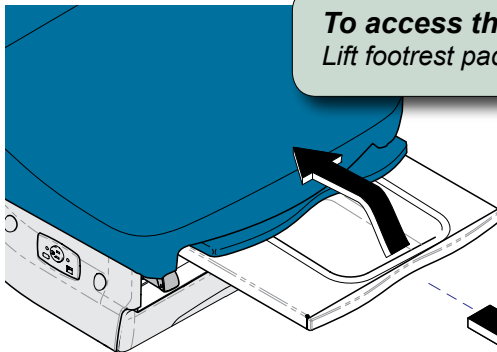
MA7995i

## Footrest & Treatment Pan



### **Caution**

*Do not use footrest to support patient's entire weight.*



### **To access the treatment pan...**

*Lift footrest pad slightly, then slide pad back into table.*

### **To extend footrest...**

*Pull footrest out to desired position.*

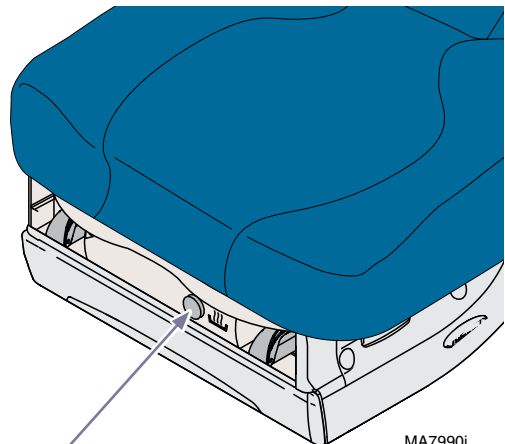
MA8265I

## Drawer Heater

The drawer heater warms the contents of the drawer to approximately 98°F (37°C).

### **To turn the drawer heater ON / OFF...**

*Press and release the drawer heater switch.  
(Switch will illuminate when heater is ON)*



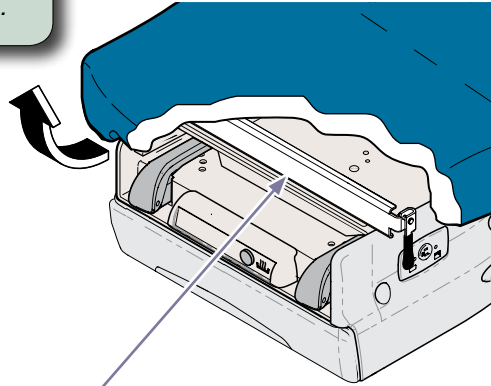
MA7990i

**Drawer Heater  
Switch**

## **Pelvic Tilt**

### **To elevate seat section...**

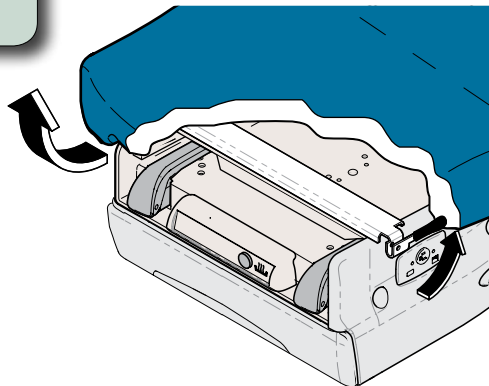
*Lift seat until pelvic support drops into place.*



**Pelvic Support**

### **To return seat section to flat position...**

- A) *Lift seat section slightly.*
- B) *Pivot pelvic support handle upward.*
- C) *Lower seat section.*



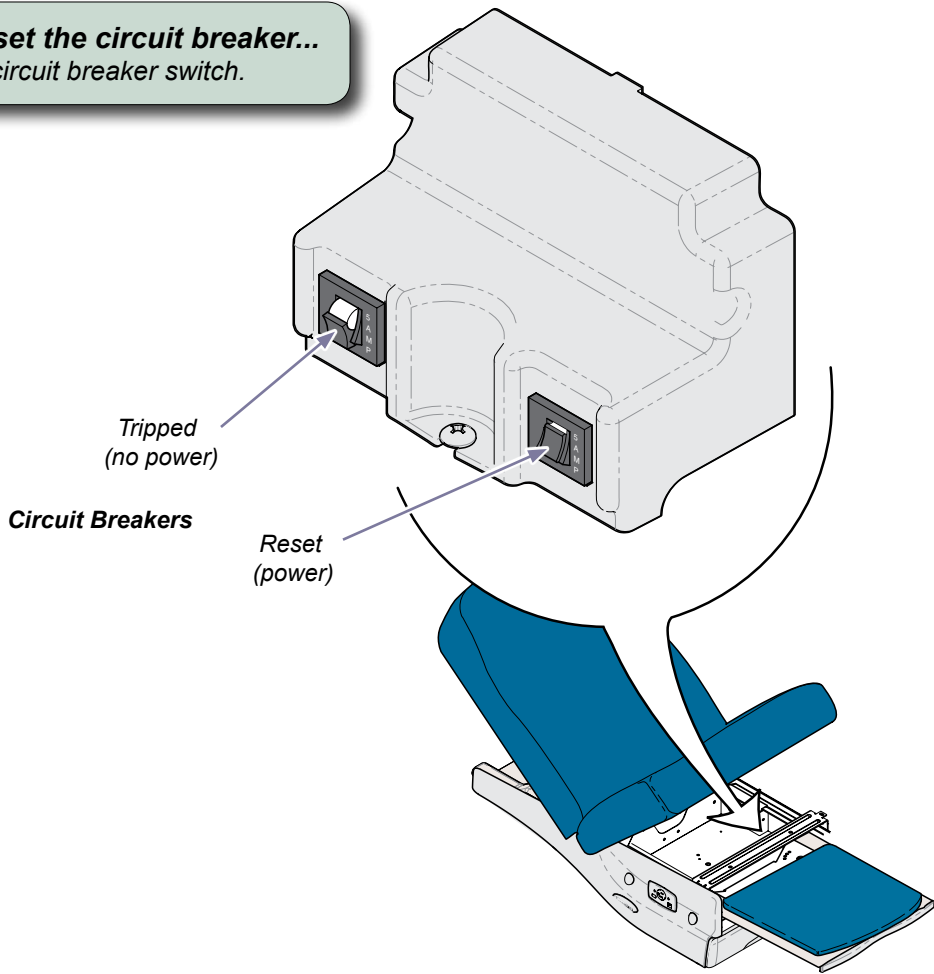
MA8266I

# Simplex Receptacles

Receptacles on each side of the table provide power for accessories used during medical procedures. There are two circuit breakers located under the seat section. If the receptacle's maximum load is exceeded, the circuit breakers interrupt power to the receptacle.

Maximum Load.....115 VAC, 5 amps

**To reset the circuit breaker...**  
Push circuit breaker switch.



MA82671

# ***IQhub® Operation***

***Data connections are located on each side of table and on rear base of table.***

**Ports 1, 2, 3, & 4:** USB connections.

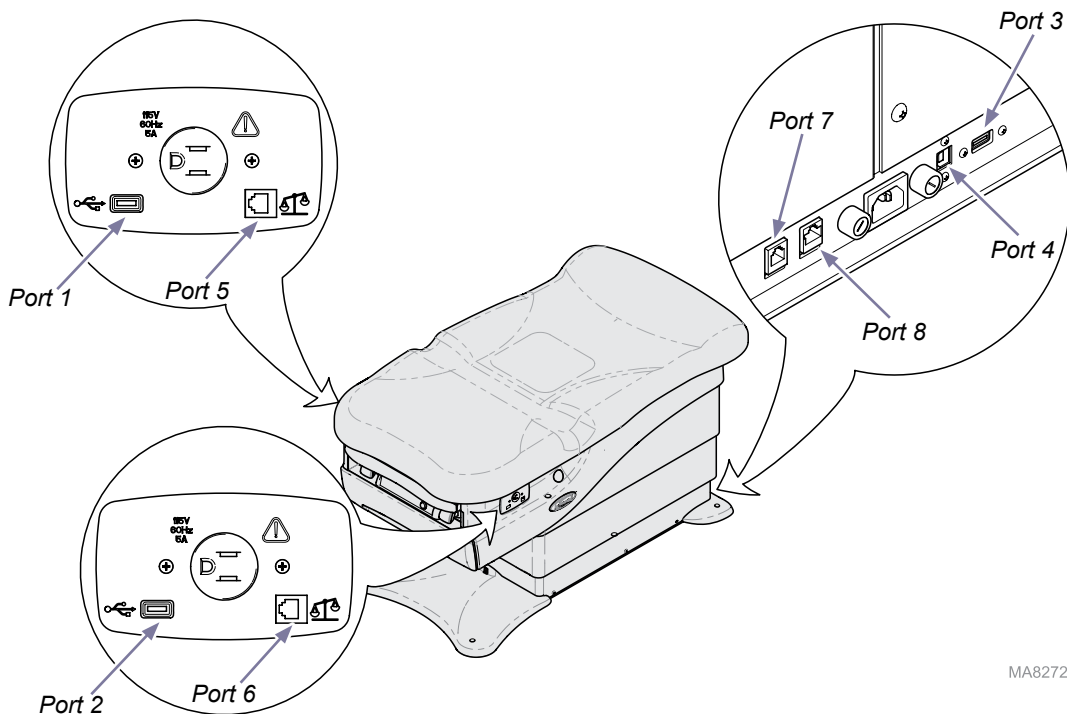
**Ports 5, 6 & 7:** Vital Signs connections.

**Port 8:** Optional wired hand or foot control.



## **WARNING**

***IEC 60950 approved Information Technology Equipment must be placed outside the "patient environment." Refer to safety instructions in this manual.***



MA8272i

# ***IQhub® Operation - continued***

## **USB Connections**

The four USB ports on the table work together as a high-speed USB hub, connecting up to three USB devices to a host computer at speeds up to 480 Mbit/s.

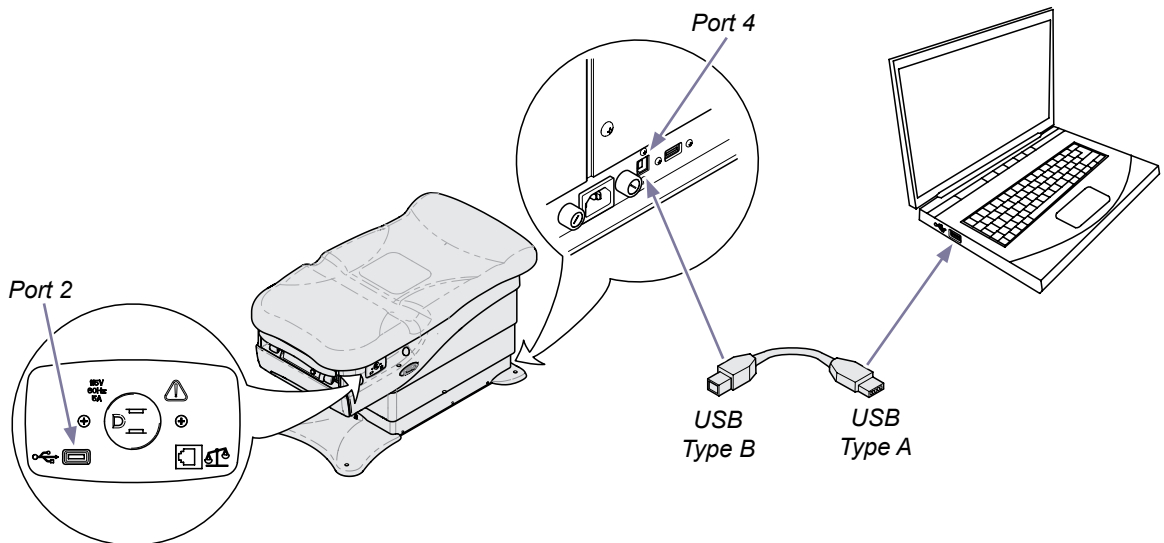
Once the USB hub is connected to the host computer, the digital scale will also connect. This will allow for digital transfer of measured weight to supported software.

### **Setup:**

- Using a standard USB cable\* (up to five meters in length), connect port 4 at the rear of the table to the host computer. A standard USB cable may also be ordered from Midmark (9A520001).
- If prompted, [click here](http://www.midmark.com/technicallibrary/Link-PDFs/625.html) to download the latest driver from [www.midmark.com](http://www.midmark.com). (<http://www.midmark.com/technicallibrary/Link-PDFs/625.html>)
- Connect additional USB devices to ports 1, 2, & 3 as needed. USB cables up to two meters in length may be used. Up to three additional devices may be connected simultaneously.

### **Note**

*Power is provided at the USB ports only when a host computer is connected to port 4. (e.g. Battery-powered devices will not charge via USB unless a host computer is first connected.)*



\* A standard USB cable has one Type A connector and one Type B connector. For best performance, use USB cables that are fully compliant with current USB specifications.

MA9943i



# ***IQhub® Operation - continued***

## ***Vital Signs Connections***

The serial ports on the table provide connection to a vital signs device. This allows for the patient weight to be captured from the digital scale and transferred to the vital signs device for display and capture.

Supported vital signs devices are:

- Midmark IQvitals®
- Welch Allyn® Spot Vital Signs® LXi \*

### **Setup:**

Purchase the appropriate serial cable for your equipment:

- Midmark IQvitals® Serial Cable, 6 foot length, coiled (9A478001).
- Midmark IQvitals® Serial Cable, 15 foot length, straight (9A478002).
- Midmark IQvitals® Serial Cable, 30 foot length, straight (9A478003).
- Midmark IQvitals® Serial Cable, 50 foot length, straight (9A478004).
- Welch Allyn® Spot Vital Signs® LXi Serial Cable, 6 foot length, coiled (9A479001).
- Welch Allyn® Spot Vital Signs® LXi Serial Cable, 15 foot length, straight (9A479002).

Connect one end of the vital signs connections (ports 5, 6, or 7) to one end of the serial cable, and the other to the corresponding port on your vital signs device.

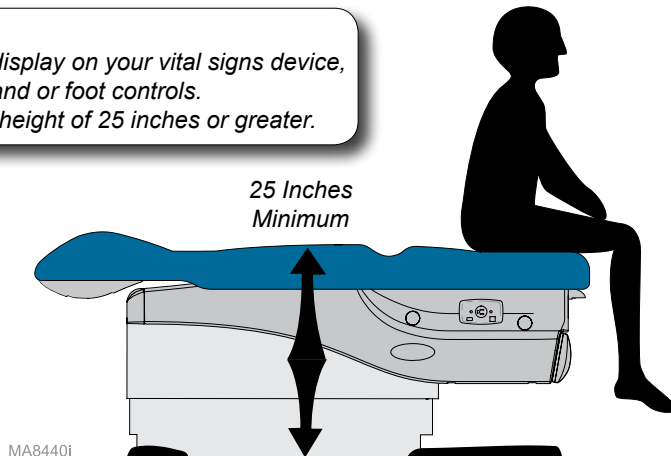
Patient weight will automatically be measured when the patient sits on the table.

### **Note**

*Before seating patient on exam table, ensure the scale has been zeroed.  
Failure to do so may affect the measurement of the patient's weight.*

### **Note**

*If weight does not display on your vital signs device,  
raise table using hand or foot controls.  
Table must be at a height of 25 inches or greater.*



\* Welch Allyn® and Spot Vital Signs® are registered trademarks of Welch Allyn, Inc.

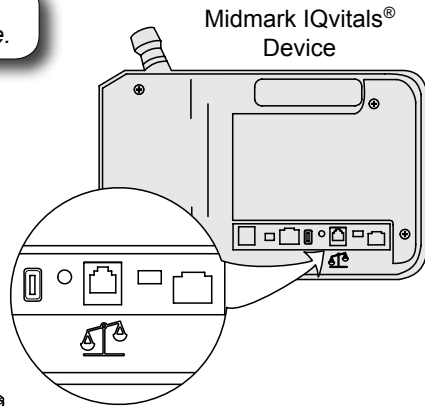
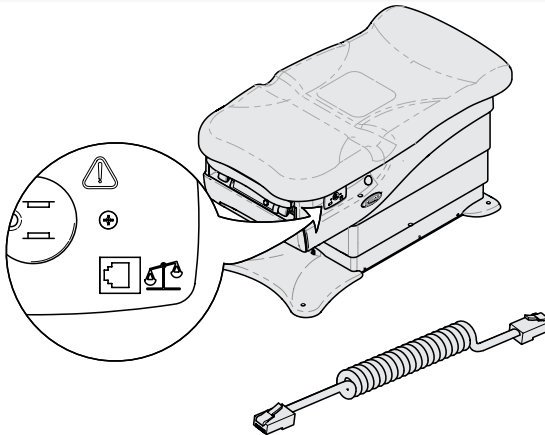
# ***IQhub® Operation - continued***

## ***Connecting Table to Vital Signs Device***

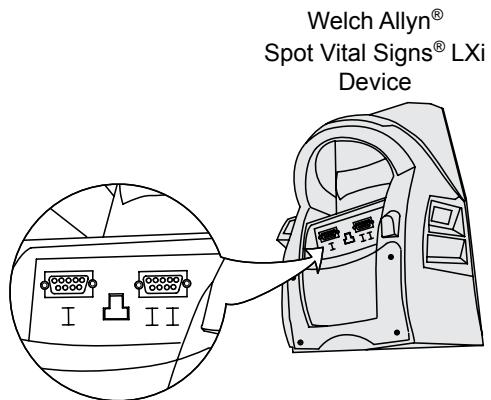
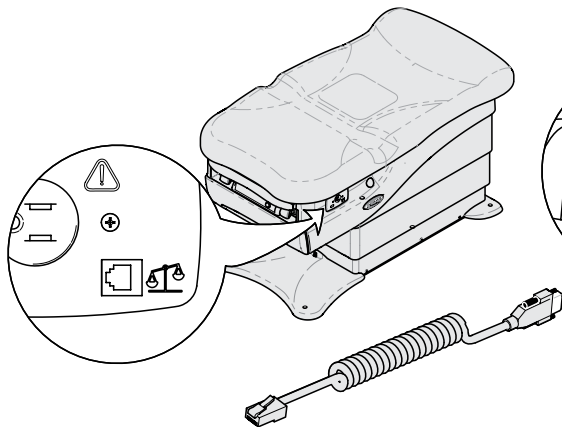
The serial cable may be connected to one of three ports located on the table.

**Note**

*Only one vital signs device may be connected at a time.*



MA84371



MA84391

# Maintenance

## Calling for Service

### Note

Model / serial number information is required when calling for service.

If service is required, contact your authorized Midmark dealer.

To contact Midmark directly:

1-800-MIDMARK (1-800-643-6275)

8:00 am until 5:00 pm Monday - Friday (EST) [excluding standard U.S. holidays]

## Cleaning

### Upholstery



### Equipment Alert

*The upholstery is resistant to most medicinal-type stains, but may be damaged by solvents and dyes. Immediately remove any fluids spilled on the upholstery.*

Wash your upholstery weekly with a mild liquid soap and water mixture, rinse with clear water and dry completely to remove disinfection cleaner build-up.

Disinfect your upholstery with a solution of standard bleach and water mixed 1 in 10 (10%) or chlorine based cleaners. Follow this with a clear water rinse and thorough drying of material. See current CDC Guideline for Disinfection & Sterilization in Healthcare Facilities.

To minimize damage caused by disinfectant cleaner residue build-up, do not allow disinfectants to pool on the upholstery surface. Once the approved contact time has been obtained, remove and dry excess liquid remaining on the surface.

Detailed care and maintenance instructions are included with your product. This information is also available on [www.midmark.com](http://www.midmark.com) in the Technical library under the User Information tab for your product.

### Painted Metal / Plastic Surfaces

Clean the painted metal and plastic surfaces weekly using a clean soft cloth, and mild cleaner. Periodic applications of common furniture wax will ease cleaning, and maintain the finished luster of the surfaces.

## Preventative Maintenance

Periodically inspect the following areas:

- Power cord(s) should be free of cuts or other visible damage.
- All fasteners should be in place and tightened securely.
- All mechanical functions should operate properly.

Periodically lubricate the back hinge to maintain quiet, smooth, operation (use light machine oil).

Have an authorized service technician inspect your equipment every six months.

Periodic calibration of the scale is not required. It is recommended to verify the scale is measuring accurately using a reference weight of known value every six months.

# Troubleshooting

Symptom	Probable Cause	Correction
No functions will operate.	Facility supply voltage.	Secure power cord connections. Reset facility circuit breaker.
Table stops and beeps.	Patient weight exceeded 650 lbs.	Inform staff that the maximum patient weight limit is 650 lbs.
No power at table receptacles. All other functions work.	Table circuit breaker(s) tripped.	Lift seat section to access circuit breaker(s), press to reset.
When any control button is pressed, that controller sounds a single beep. (All functions operate)	Low battery.	Replace batteries. ( <i>size: AA</i> )
When the weight button is pressed, the controller displays "Table Low".	Momentary power interruption.	Lower table all the way down.
Table does not move when pressing Quick Exam <sup>®</sup> button, or does not go to the correct height.	Quick Exam <sup>®</sup> height is user adjustable and may need to be reprogrammed.	See Quick Exam <sup>®</sup> instructions in this manual.

# Specifications

## Weights, Dimensions, Electrical Specifications

<b>Specifications Chart</b>	
<b>Patient Weight</b> ( <i>maximum</i> ):	650 lbs (295 kg)
<b>Scale Resolution:</b> <b>Scale Accuracy:</b> 30 - 100 lb (13.6 - 45.4 kg) 100 - 300 lb (45.4 - 136.1 kg) 300 - 500 lb (136.1 - 226.8 kg) 500 - 650 lb (226.8 - 294.8 kg)	0.2 lb (0.1kg)  ± 0.2 lb (0.1 kg) ± 0.4 lb (0.2 kg) ± 0.6 lb (0.3 kg) ± 0.8 lb (0.4 kg)
<b>Paper Roll</b> ( <i>maximum size</i> ):	(See <i>Paper Roll &amp; Tear Strap page</i> )
<b>Range of Motion &amp; Dimensions:</b>	(See <i>Range of Motion &amp; Dimensions page</i> )
<b>Weight of Table:</b> <b>w/upholstery</b> <b>w/packaging &amp; skid</b> ( <i>no uph.</i> ) <b>Uph. w/packaging</b> ( <i>shipped separately</i> )	475 lbs (216 kg) 492 lbs (224 kg) 45 lbs (20 kg)
<b>Power Cord Length:</b>	8 ft. (244 cm)
<b>Electrical Requirements:</b>	(See <i>Regulatory Compliance Charts</i> )
<b>Foot / Hand Control Voltage:</b>	14 VAC, SELV (Safety Extra Low Voltage)
<b>Simplex Receptacles</b> ( <i>maximum load</i> )	115 VAC, 5A, 50/60 Hz
<b>Fuses:</b> <i>IEC inlet fuses (2)</i> <i>F1 &amp; F2 (on main PC board):</i> <i>F3 (on main PC board):</i> <i>F4 (on main PC board)</i> <u><i>Models w/ drawer heaters</i></u> <i>distribution board fuses (2)</i>	6.3A, 250V, Type-T, 5 x 20 mm 10A, 250V, Type-T, 5 x 20 mm 160mA, 250V, Type-T, 5 x 20 mm 6.3A, 250V, Type-T, 5 x 20 mm  800mA, 250V, Type-T, 5 x 20 mm
<b>Duty Cycle</b> <b>(Motor Run Time):</b>	Intermittent Operation <i>[30 seconds ON / 5 minutes OFF]</i>
<b>Receptacles, Drawer Heater:</b>	<i>Continuous Operation</i>
<b>Classifications:</b>	Class 1, Type B Applied Part
<b>Protection against ingress of fluids:</b>	IPXO [ <i>Foot Control only: IPX1</i> ]



### **WARNING**

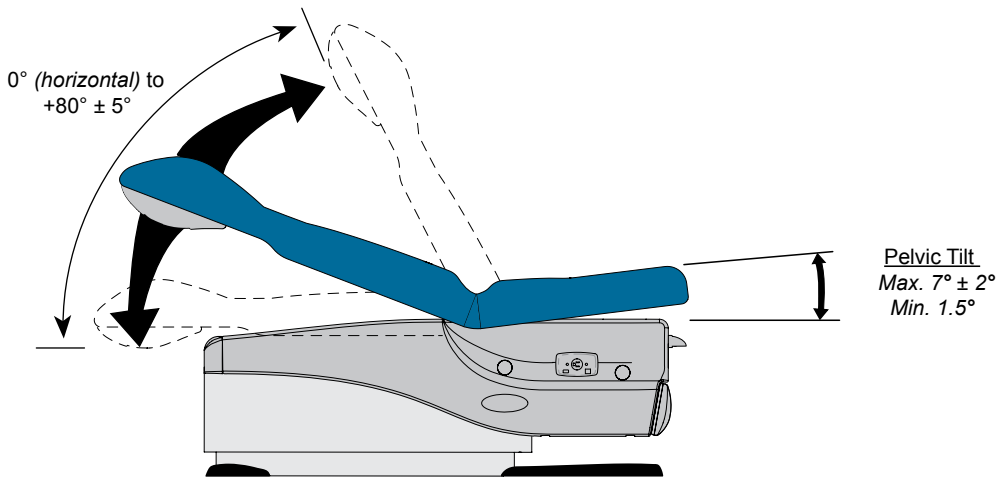
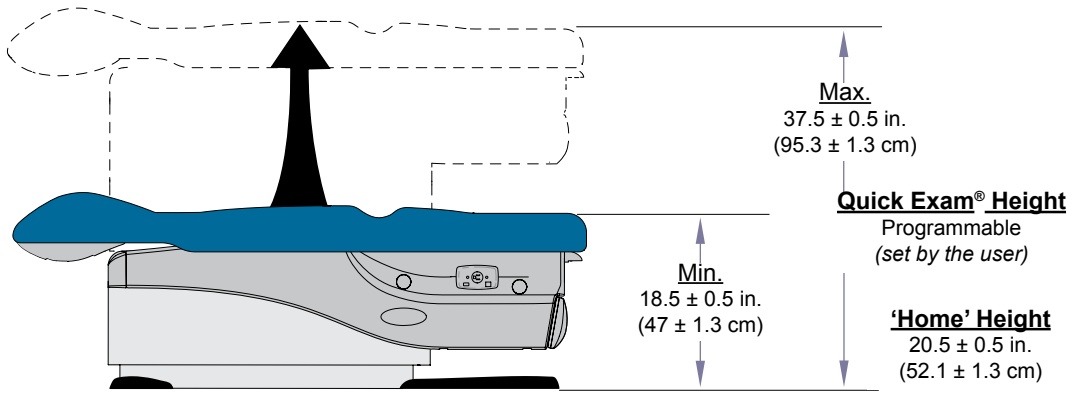
*Equipment not suitable for use in the presence of a flammable anesthetic mixture.*

# Model Identification / Compliance Chart

Model	Description	Complies To:				Electrical Ratings:		
		UL 60601-1	CAN / CSA 22.2, #601.1-M90	EN 60601-1-2 (EMC)	NFPA 99	VAC +/- 10%	Amps	Cycles (Hz)
625-004	Two-function table (Base / Back), w/ receptacles, pelvic tilt, drawer heater, wireless controls, IQscale®, and IQhub®.	•	•	•	•	115	12	50/60

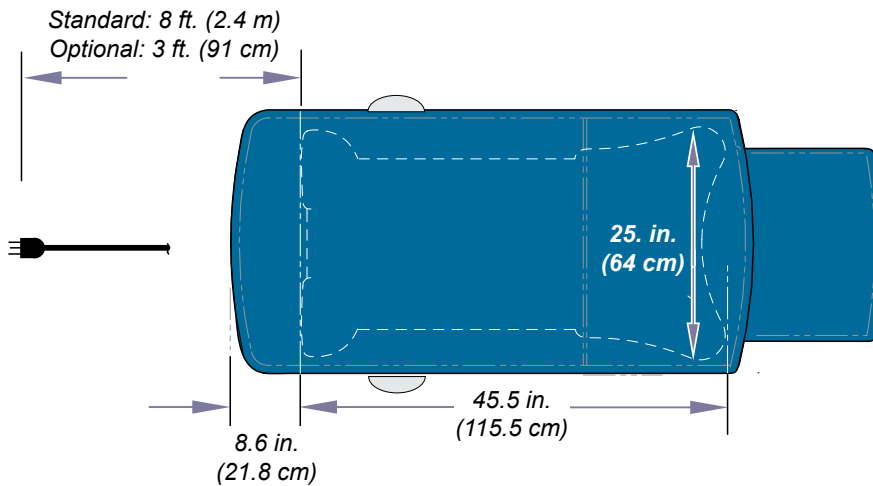
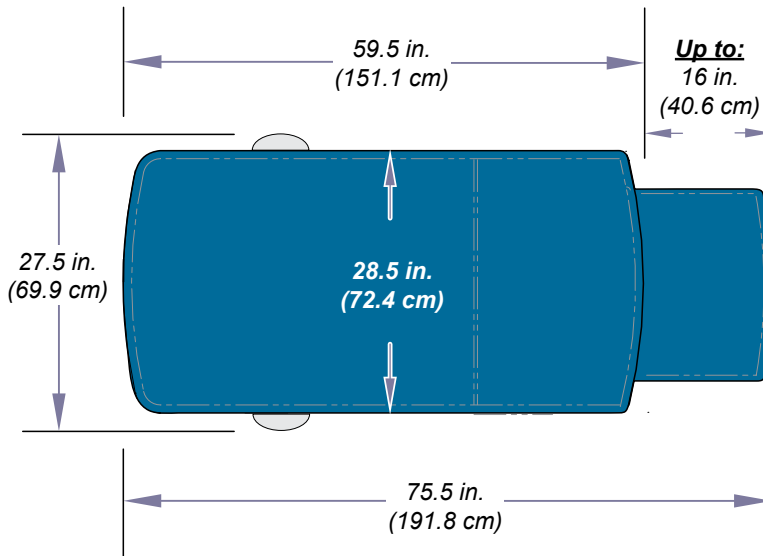
Fire Code Ratings: All upholstery complies with California Bureau of Home Furnishing [Technical Bulletin 11Z](#) and California Code of Regulations, Sect. 93120-93120.12, Title 17. Optional upholstery is available that complies with California Bureau of Home Furnishing [Technical Bulletin 133](#).

# Range of Motion & Dimensions



MA82681

## Range of Motion & Dimensions (continued)



MA8369i



# Warranty Information

**SCOPE OF WARRANTY** Midmark Corporation ("Midmark") warrants to the original retail purchaser that it will, at Midmark's option, repair or replace components of the domestic and international medical products manufactured by Midmark (except for components not warranted under "Exclusions") that are defective in material or workmanship under normal use and service. The sole remedy under this limited warranty is the repair or replacement, at Midmark's option, of the applicable components. This limited warranty shall only apply to defects that are reported to Midmark within the applicable warranty period and which are determined to exist upon examination by Midmark. This warranty extends only to the original retail purchaser of a product and is not transferable or assignable. Replacement components or products may be used and/or refurbished components or products, provided they are of like quality and specifications as new components or products.

Midmark warrants to the original retail purchaser that during the applicable warranty period it will repair or replace software contained within the products manufactured by Midmark (except for those not warranted under "Exclusions") if: (1) the media on which the software is furnished exhibits defects in material or workmanship under normal use; or (2) the software does not substantially conform to its published specifications.

**APPLICABLE WARRANTY PERIOD** The applicable warranty period, measured from the date of invoice to the original retail purchaser of the product and shall be one (1) year for all warranted products and components.

**OBTAINING WARRANTY SERVICE** Warranty service must be obtained through either Midmark or an authorized dealer in the Midmark product line for which warranty service is requested. Midmark may be contacted for warranty service inquiries or issues via email at [www.midmark.com](http://www.midmark.com); by phone at 1-800-MIDMARK or by mail to Midmark Corporation, 60 Vista Drive, Versailles, Ohio 45380. It is the retail purchaser's obligation to arrange for delivery of a product to Midmark or one of its authorized dealers for warranty service, which delivery shall be at retail purchaser's expense. It is also the retail purchaser's obligation to comply with the warranty service instructions provided either by Midmark or its authorized dealer. The retail purchaser must provide Midmark with completed warranty registration information within thirty (30) days after purchase in order to obtain the benefits of this limited warranty.

**EXCLUSIONS:** This limited warranty does not cover and Midmark shall not be liable for the following:

- (1) Defects, damage or other conditions caused, in whole or in part, by misuse, abuse, negligence, alteration, accident, freight damage, negligent storage, tampering or failure to seek and obtain repair or replacement in a timely manner;
- (2) Products which are not installed, used, and properly cleaned and maintained as required or recommended in the Midmark "Installation" and/or "Installation/Operation Manual" for the applicable product, including the specified structural and operational environmental conditions and electrical requirements;
- (3) Products considered to be of a consumable or sterile nature;
- (4) Accessories or parts not manufactured by Midmark;
- (5) Charges by anyone for adjustments, repairs, replacement parts, installation or other work performed upon or in connection with such products which are not expressly authorized in writing in advance by Midmark;
- (6) Costs and expenses of routine maintenance and cleaning; and
- (7) Representations and warranties made by any person or entity other than Midmark.
- (8) Matching of color, grain or texture except to commercially acceptable standards;
- (9) Changes in color caused by natural or artificial light;
- (10) Custom manufactured products;
- (11) Alterations or modifications to the product by any person or entity other than Midmark; and
- (12) Products that would otherwise be covered under this limited warranty, but are acquired: (i) from a person or entity that is not Midmark or one of its authorized dealers; or (ii) from a Midmark dealer that is not authorized to sell the product at issue in the geographic territory where the purchaser is located, or is not authorized to sell the product at issue within the medical market.

**SOFTWARE; WITH RESPECT TO SOFTWARE THAT IS A PRODUCT OR COMPONENT THEREOF, MIDMARK DOES NOT WARRANT THAT THE SOFTWARE: (1) IS ERROR FREE; (2) CAN BE USED WITHOUT PROBLEMS OR INTERRUPTIONS; OR (3) IS FREE FROM VULNERABILITY TO INTRUSION OR ATTACK BY VIRUSES OR OTHER METHODS.**

**EXCLUSIVE REMEDY; CONSEQUENTIAL DAMAGES DISCLAIMER** MIDMARK'S ONLY OBLIGATION UNDER THIS LIMITED WARRANTY IS THE REPAIR OR REPLACEMENT OF DEFECTIVE PARTS. MIDMARK SHALL NOT BE LIABLE FOR AND HEREBY DISCLAIMS ANY DIRECT, SPECIAL, INDIRECT, INCIDENTAL, EXEMPLARY OR CONSEQUENTIAL DAMAGES OR DELAYS, INCLUDING, BUT NOT LIMITED TO, DAMAGES FOR LOSS OF PROFITS OR INCOME, LOSS OF USE, LOSS OF DATA, DOWNTIME, COVER AND EMPLOYEE OR INDEPENDENT CONTRACTOR WAGES, PAYMENTS AND BENEFITS. THIS DISCLAIMER SHALL SURVIVE ANY FAILURE OR ASSERTED FAILURE OF THE ESSENTIAL PURPOSE OF THIS LIMITED WARRANTY OR ITS REMEDIES SPECIFIED HEREIN. WARRANTY DISCLAIMER THIS WARRANTY IS MIDMARK'S ONLY WARRANTY AND IS IN LIEU OF ALL OTHER WARRANTIES, EXPRESS OR IMPLIED. MIDMARK MAKES NO IMPLIED WARRANTIES OF ANY KIND INCLUDING ANY IMPLIED WARRANTIES OF MERCHANTABILITY OR FITNESS FOR A PARTICULAR PURPOSE. THIS WARRANTY IS LIMITED TO THE REPAIR OR REPLACEMENT OF DEFECTIVE PARTS.

**STATUTE OF LIMITATIONS** No action may be brought against Midmark for breach of this limited warranty, an implied warranty, if any, or for any other claim arising out of or relating to the products, more than ninety (90) days following expiration of the limited warranty period.

**NO AUTHORIZATION** No person or firm is authorized to create or approve for Midmark any other obligation or liability in connection with the products.

**Notes:**

**Notes:**

**Midmark Corporation**

60 Vista Drive

Versailles, OH 45380 USA

1-800-643-6275

1-937-526-3662



Because we care.



# Camilla de exploración Barrier-Free<sup>®</sup> con IQscale<sup>®</sup> e IQhub<sup>®</sup>

[English](#)

[Español](#)

[Français](#)

Para el modelo:

625 (-004)



## Guía del usuario

# Información sobre el producto

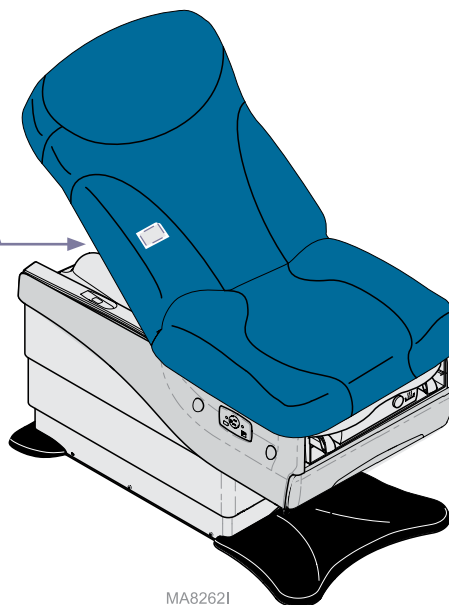
**Distribuidor:**

**Fecha de compra:**

**Modelo / Número de serie:**

**Servicio técnico autorizado  
por Midmark:**

**Etiqueta de modelo / número de serie**  
**Situada en el armazón de soporte del respaldo**  
*(la ubicación exacta puede variar)*



MA8262I

# Índice

## **Información importante**

<u>Símbolos de seguridad</u> .....	4
<u>Condiciones de transporte / almacenamiento</u> .....	4
<u>Información sobre el cumplimiento</u> .....	5
<u>Uso previsto</u> .....	6
<u>Requisitos eléctricos</u> .....	6
<u>Interferencia electromagnética</u> .....	6
<u>Eliminación de equipos</u> .....	6
<u>Precisión de la balanza digital</u> .....	7
<u>Instrucciones de seguridad</u> .....	7

## **Funcionamiento**

<u>Funcionamiento® IQscale</u> .....	9
<u>Funciones de la base y el respaldo</u> .....	14
<u>Función Home (Inicio)</u> .....	15
<u>Función Quick® Exam</u> .....	16
<u>Sistema de cajón® Exam Assistant</u> .....	17
<u>Rollo de papel y cinta</u> .....	18
<u>Estribos</u> .....	19
<u>Bandeja de tratamiento y reposapiés</u> .....	20
<u>Calentador de cajón</u> .....	20
<u>Inclinación pélvica</u> .....	21
<u>Tomacorriente simple</u> .....	22
<u>Funcionamiento® IQhub</u> .....	23

## **Mantenimiento**

<u>Solicitud de servicio técnico</u> .....	27
<u>Limpieza</u> .....	27
<u>Mantenimiento preventivo</u> .....	27
<u>Resolución de problemas</u> .....	28

## **Especificaciones**

<u>Pesos, dimensiones y especificaciones eléctricas</u> .....	29
<u>Identificación del modelo / Tabla de cumplimiento de las normativas</u> .....	30
<u>Límites de movimiento y dimensiones</u> .....	31

## **Información sobre la garantía**

<u>Garantía limitada</u> .....	33
--------------------------------	----

# Información importante

## Símbolos de seguridad



### PELIGRO

Indica una situación de peligro inminente que ocasionará lesiones graves o la muerte. Este símbolo se utiliza únicamente en las condiciones más extremas.



### ADVERTENCIA

Indica una situación potencialmente peligrosa que podría ocasionar lesiones graves.



### Precaución

Indica una situación potencialmente peligrosa que puede ocasionar lesiones leves o moderadas. También puede usarse para alertar contra prácticas peligrosas.



### Advertencia sobre el equipo

Indica una situación potencialmente peligrosa que podría provocar daños en el equipo.

### Nota

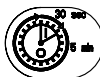
Desarrolla un procedimiento, una práctica o una condición.



Consulte la Guía del usuario para obtener información importante



Toma de tierra protectora



Ciclo de trabajo (tiempo de funcionamiento del motor):  
30 segundos ENCENDIDO, 5 minutos APAGADO



Especificación nominal del fusible



Mantener seco



Pieza aplicada Tipo B



Orientación correcta para el transporte



Altura máxima de apilamiento (unidades **almacenadas**)



Frágil



Parada de emergencia



Límite de peso del paciente

## Condiciones de transporte y almacenamiento

Rango de temperatura ambiente:.....de 5 °C a 40 °C (de 41 °F a 104 °F)  
Humedad relativa .....de 10 % a 90 % (sin condensación)  
Presión atmosférica.....0,49 atm (500 hPa) a 1,04 atm (1060 hPa)



# ***Información sobre el cumplimiento***

## ***Declaración de conformidad con la CFC***

Este equipo ha sido probado y cumple con los límites establecidos para un dispositivo digital de clase A, conforme a la parte 15 de las normativas sobre CFC. Tales límites se han determinado para ofrecer una protección razonable contra las interferencias cuando el equipo funciona en un entorno comercial. Este equipo genera, utiliza y puede emitir energía de frecuencia radio y, si no se instala y utiliza de conformidad con el manual de instrucciones, puede provocar interferencias con las comunicaciones por radio. Es probable que el funcionamiento de este equipo en una zona de viviendas provoque interferencias. En tal caso, el usuario deberá correr con los gastos derivados de subsanar la interferencia.

Cualquier modificación de este producto puede violar las normas de la Comisión Federal de Comunicaciones e incurrir en el uso ilegal del producto.

## ***Declaración de conformidad con la IC***

### **Interferencia**

“Este dispositivo cumple con las normas RSS exentas de licencia de la Industria de Canadá. El funcionamiento depende de las dos siguientes condiciones: (1) este dispositivo no puede provocar interferencias y (2) este dispositivo debe admitir las interferencias recibidas, incluso interferencias que causen un funcionamiento no deseado del dispositivo”.

“Le présent appareil est conforme aux CNR d'Industrie Canada applicables aux appareils radio exempts de licence. L'exploitation est autorisée aux deux conditions suivantes: (1) l'appareil ne doit pas produire de brouillage, et (2) l'utilisateur de l'appareil doit accepter tout brouillage radioélectrique subi, même si le brouillage est susceptible d'en compromettre le fonctionnement.”

### **Antenas**

“Con arreglo a las normas de la Industria de Canadá, este radiotransmisor solo puede funcionar utilizando una antena de un tipo y una ganancia máxima (o inferior) aprobada para el transmisor por la Industria de Canadá. Para reducir las posibles interferencias de la radio con otros usuarios, el tipo de antena y su ganancia deben elegirse de forma que la potencia isotrópica radiada equivalente (p.i.r.e.) no sea mayor de la necesaria para una correcta comunicación”.

“Conformément à la réglementation d'Industrie Canada, le présent émetteur radio peut fonctionner avec une antenne d'un type et d'un gain maximal (ou inférieur) approuvé pour l'émetteur par Industrie Canada. Dans le but de réduire les risques de brouillage radioélectrique à l'intention des autres utilisateurs, il faut choisir le type d'antenne et son gain de sorte que la puissance isotrope rayonnée équivalente (p.i.r.e.) ne dépasse pas l'intensité nécessaire à l'établissement d'une communication satisfaisante.”

## Uso previsto

La camilla de exploración, que también puede utilizarse como sillón, está diseñada para proporcionar apoyo a los pacientes y para mantener su posición durante procedimientos de exploración generales a cargo de profesionales médicos.

Con la adición de la balanza digital integrada, la camilla de exploración también está prevista para su uso en la supervisión regular para evaluar el cambio de peso del paciente, así como para la medición del peso del paciente con el fin de ayudar en el diagnóstico médico. La balanza digital integrada no está prevista para ser utilizada con pacientes que pesan menos de 13,6 kilogramos (30 libras) o más de 295 kilogramos (650 libras).

## Requisitos eléctricos

*Antes de conectar el cable de alimentación del dispositivo Midmark a una fuente de alimentación eléctrica, se recomienda contactar con un electricista local autorizado o una autoridad local que tenga jurisdicción sobre la distribución de energía interna del edificio para verificar que, al conectar el dispositivo, este cumple con todos los códigos eléctricos locales. Utilice la potencia eléctrica marcada en el dispositivo para determinar cuales son los circuitos eléctricos derivados apropiados y los requisitos de salida. Para modelos de 115 V con una calificación de corriente de 12 amperios o más, puede requerirse un circuito dedicado en caso de que la protección de dicho circuito provenga de un disyuntor de 15 amperios.*



### **Precaución**

*Cuando utilice equipos quirúrgicos de alta frecuencia o catéteres intracardiacos:*

- *Utilice un material no conductor para proteger al paciente de las partes metálicas de la silla.*
- *Consulte las instrucciones de funcionamiento del dispositivo antes de utilizarlo con el cajón o los calentadores de la tapicería.*

*De lo contrario, el paciente puede sufrir una descarga eléctrica o una quemadura.*

## Interferencia electromagnética

Este producto se ha diseñado y construido para reducir al mínimo la interferencia electromagnética con otros dispositivos. Sin embargo, si detecta interferencias entre este producto y otros dispositivos:

- Saque el dispositivo que cause interferencias fuera de la sala
- Enchufe el sillón en un circuito aislado
- Aumente la distancia de separación entre el sillón y el dispositivo que cause interferencias
- Póngase en contacto con Midmark si persiste la interferencia

## Eliminación de equipos

Al final del ciclo de vida del producto, el sillón, los accesorios y otros productos fungibles podrían contaminarse por su uso habitual. Consulte las normativas y códigos locales para la correcta eliminación de equipos, accesorios y otros productos fungibles.

## Precisión de la balanza digital



### Advertencia sobre el equipo

Antes de utilizar la balanza digital, verifique que mide con precisión mediante un peso de referencia de valor conocido. Además, consulte el Programa de mantenimiento preventivo para ver la Frecuencia recomendada de esta comprobación. Si se determina que la balanza está fuera de calibración, póngase en contacto con su proveedor de servicios Midmark autorizado antes de utilizar la balanza.

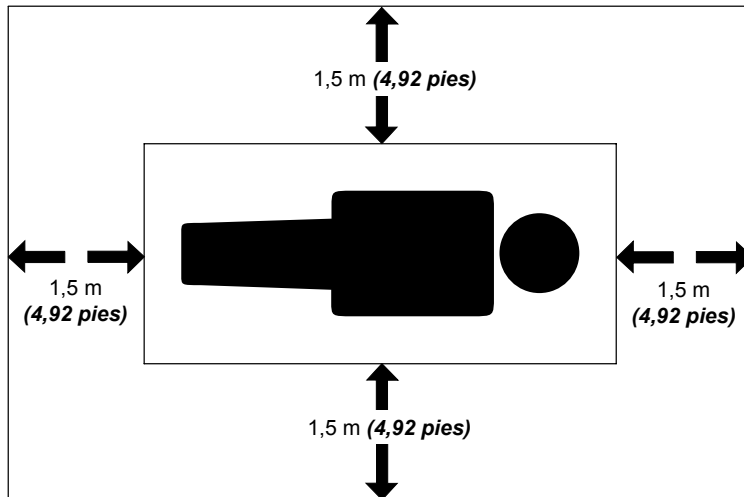
## Instrucciones de seguridad



### ADVERTENCIA

**Riesgo de descarga eléctrica:** El equipo auxiliar conectado al puerto SIP/SOP debe estar certificado de acuerdo con las respectivas normas IEC; es decir, IEC 60950 para equipos de procesamiento de datos o IEC 60601-1 para equipos electromédicos. Todas las combinaciones de equipos deben ser conformes a los requisitos de los sistemas IEC 60601-1-1. Cualquier persona que conecte equipos adicionales al puerto SIP/SOP configurará un sistema médico y, por lo tanto, será responsable de que el sistema cumpla los requisitos de la norma del sistema IEC 60601-1-1.

El equipo de tecnología de la información aprobado IEC 60950 debe colocarse fuera del "entorno del paciente". El entorno del paciente se define como un área de 1,5 m (4,92 pies) alrededor del paciente.



MA83171

Se recomienda las siguientes opciones si hay una necesidad de remediar la corriente de fuga del sistema:

- Se efectuará la conexión a tierra de protección redundante o bien a cualquiera de los dispositivos médicos o bien al equipo restante.
- El equipo restante habrá de ser alimentado desde un transformador independiente (compatible IEC 60601-1) de grado médico.

## Instrucciones de seguridad - continuación



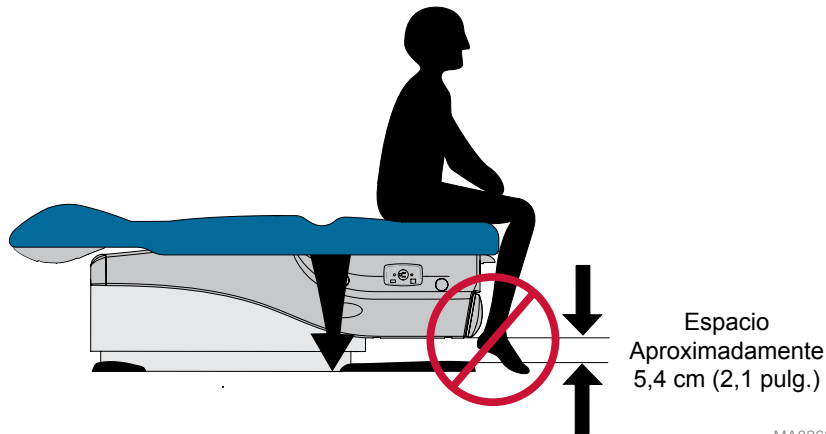
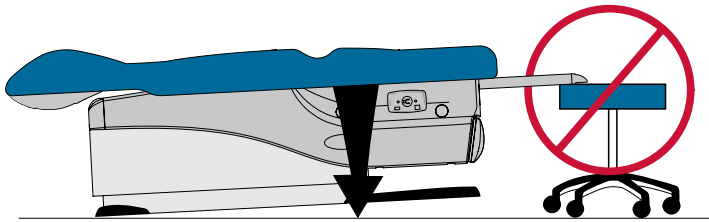
### **Precaución**

*Asegúrese de que no hay personas ni instrumental cerca de la camilla antes de activar cualquier función. Si no lo hace puede provocar lesiones personales.*

A la altura más baja de la camilla [45,7 cm (18 pulg.)], el espacio entre la parte inferior del cajón y el piso es de aproximadamente 5,4 cm (2,1 pulg.). Asegúrese de que el paciente (especialmente sus pies) y cualquier otro objeto se encuentran fuera de esta área antes de bajar la camilla.

Si la camilla funciona incorrectamente, suelte de inmediato el pedal, desconecte el cable de alimentación y ayude al paciente a bajar de la camilla. Si la camilla continúa funcionando incorrectamente, llame al servicio técnico.

De no seguir estas instrucciones se pueden provocar lesiones al paciente o daños al equipo.



MA8263I

# Funcionamiento

## Funciones IQscale®

La mejor práctica es tarar siempre la balanza antes de pesar al paciente. Consulte las directrices de pesaje en este manual para obtener más información.

### **Nota**

*Antes de sentar al paciente en la camilla de exploración, asegúrese de que se ha tarado la balanza. No hacerlo puede afectar a la medición del peso del paciente.*

### **Para tarar la balanza...**

*Antes de sentar al paciente, pulse y suelte el botón "Zero" (tarar). En la pantalla parpadeará "Scale Ready" (balanza preparada); se ha completado la tara y el paciente puede sentarse.*



## Funciones IQscale® - continuación



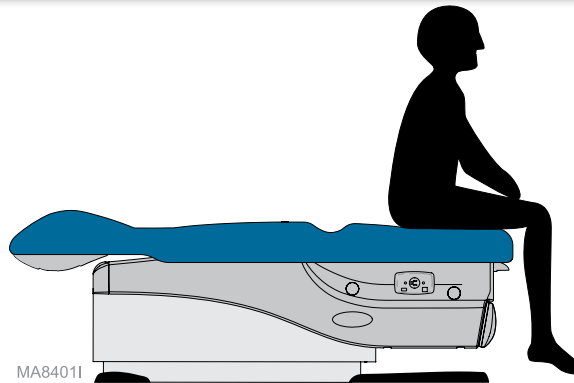
### Precaución

La balanza está prevista para su uso con pacientes que pesan entre 13,6 y 295 kg (30 y 650 lbs). Para pesos inferiores a 13,6 kg (30 lbs) o superiores a 295 kg (650 lbs), en la pantalla parpadeará la lectura del peso para indicar que el peso está fuera del rango. No utilice una lectura de peso fuera del rango (parpadeo) para las mediciones del paciente.

### Para medir el peso del paciente...

Con el paciente sentado, presiones y suelte el botón "Weight" (pesar).

Nota: Para evitar que el paciente toque el suelo con los pies, la camilla se elevará automáticamente hasta una altura de sesenta y tres centímetros y medio (veinticinco pulgadas) antes de mostrar el peso del paciente.



### Para calcular el IMC del paciente...

- Una vez mostrado el peso del paciente, pulse y suelte el botón "Height / BMI" (altura / IMC).
- Pulse los botones (+) o (-) para aumentar o disminuir la altura del paciente que aparece en la pantalla.
- Vuelva a pulsar el botón "Height / BMI" (altura / IMC) para mostrar el IMC del paciente.



## Configuración de tara automática

La mejor práctica es tarar siempre la balanza antes de pesar al paciente. Consulte las directrices de pesaje en la página siguiente para obtener más información.

Además, la balanza digital se tarará automáticamente a intervalos regulares. Esta tara automática solo se realizará cuando no haya pacientes.

Esta función de tara automática puede habilitarse y deshabilitarse cuando sea necesario. El ajuste de fábrica por defecto habilita la tara automática.

### Nota

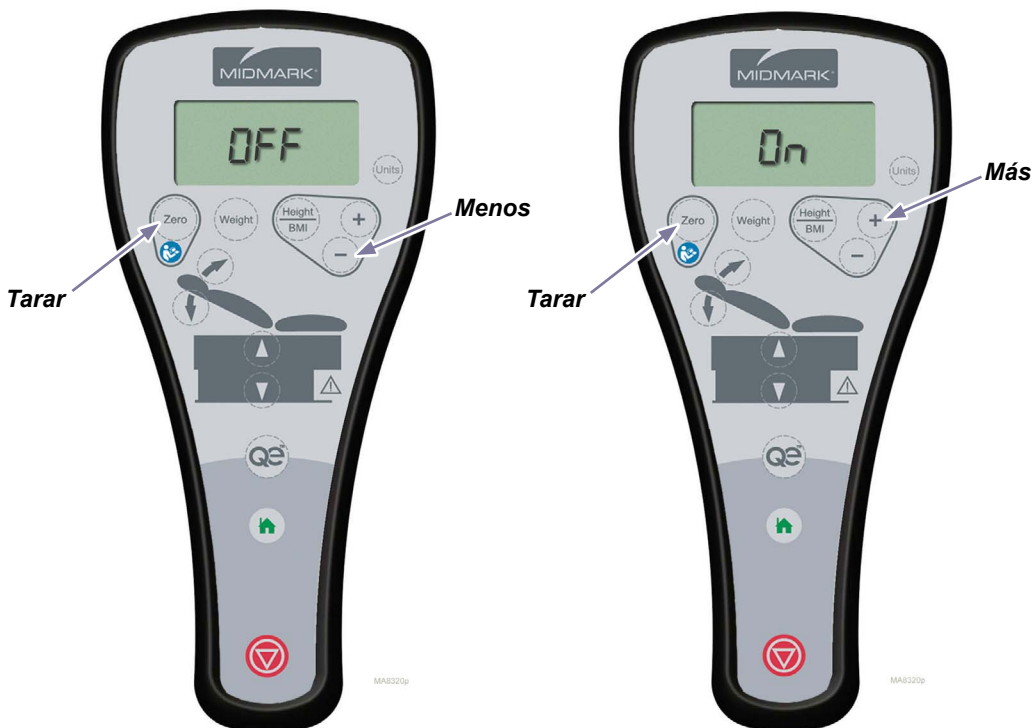
*Antes de sentar al paciente en la camilla de exploración, asegúrese de que se ha tarado la balanza. No hacerlo puede afectar a la medición del peso del paciente.*

### Para deshabilitarla:

- Pulse y mantenga pulsados los botones “Zero” (tarar) y “Minus” (menos) al mismo tiempo durante cinco segundos.
- En la pantalla parpadeará “auto zero off” (tara automática desconectada). Ahora, la tara automática está deshabilitada y la balanza está lista para su uso.

### Para volver a habilitar:

- Pulse y mantenga pulsados los botones “Zero” (tarar) y “Plus” (más) al mismo tiempo durante cinco segundos.
- En la pantalla parpadeará “auto zero on” (tara automática conectada). Ahora, la tara automática está habilitada y la balanza está lista para su uso.



# Configuración de las unidades

(Se aplica a las unidades con versión del software 141 y superiores)

## **Nota**

Para comprobar la versión del software, quite y vuelva a poner las pilas de la palanca de control. La versión del software se mostrará un momento en la palanca de control.

La tecla “Units” (unidades) se utilizará para bloquear las unidades (inglesas o métricas) y para desbloquear las unidades.

La tecla “Units” (unidades) funcionará de modo diferente en función de si las unidades están bloqueadas o desbloqueadas.

### **Si las unidades están desbloqueadas:**

- Cuando no se muestra nada en la pantalla, al soltar la tecla “Units” (unidades) se mostrará el indicador de unidades actual.
- Cuando en la pantalla se muestra únicamente el indicador de unidades, entonces, al soltar la tecla “Units” (unidades) se provocará que el indicador de unidades cambie entre las pantallas mostrando pulg/lbs y cm/kg.
- Cuando en la pantalla se muestra únicamente el indicador de unidades, mantener pulsada la tecla “Units” (unidades) durante 5 segundos provocará que el LCD muestre el siguiente mensaje: “UnitS”, “LOC”, “(unidades/bloq/ )”, repita 3 veces.
- Cuando en la pantalla se muestra el peso, pulsar y soltar la tecla “Units” (unidades) hará que el indicador de unidades cambie entre lbs/kg y mostrará el peso en la nueva unidad.
- Cuando en la pantalla se muestra la altura, pulsar y soltar la tecla “Units” (unidades) hará que el indicador de unidades cambie entre in/cm y mostrará la altura en la nueva unidad.

### **Si las unidades están bloqueadas:**

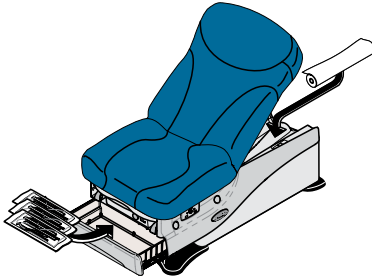
- Cuando no se muestra nada en la pantalla, al soltar la tecla “Units” (unidades) se mostrará el indicador de unidades actual.
- Cuando en la pantalla solo se muestra el indicador de unidades, al soltar la tecla “Units” (unidades) no ocurrirá nada.
- Cuando en la pantalla se muestra únicamente el indicador de unidades, mantener pulsada la tecla “Units” (unidades) durante 5 segundos provocará que el LCD muestre el siguiente mensaje: “UnitS”, “LOC”, “(unidades/bloq/ )”, repita 3 veces.
- Cuando en la pantalla se muestra el peso, pulsar la tecla “Units” (unidades) hará que el indicador de unidades cambie entre lbs/kg y mostrará el peso en la nueva unidad. Soltar la tecla “Units” (unidades) volverá a cambiar el indicador de unidades a las unidades anteriores.
- Cuando en la pantalla se muestra la altura, pulsar la tecla “Units” (unidades) hará que el indicador de unidades cambie entre in/cm y mostrará la altura en la nueva unidad. Soltar la tecla “Units” (unidades) volverá a cambiar el indicador de unidades a las unidades anteriores.



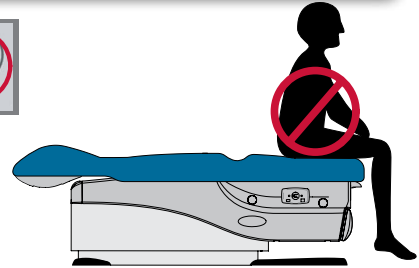


Para garantizar un pesaje adecuado de los pacientes, revise las siguientes directrices.

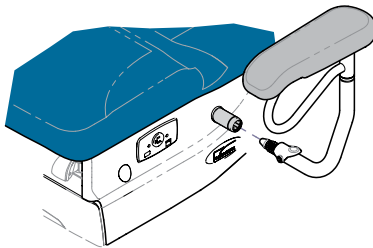
**Tare** la balanza después de añadir o quitar suministros.



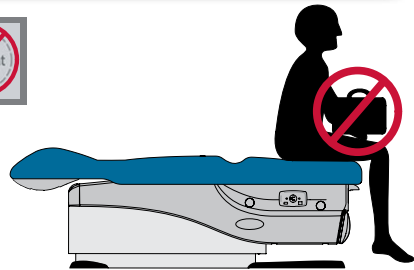
**No** tare la balanza mientras el paciente esté en la camilla.



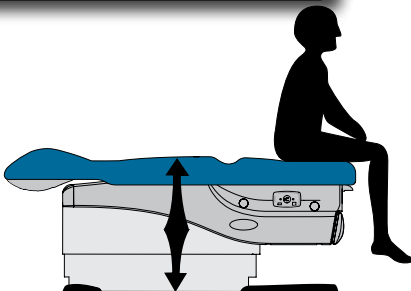
**No** tare la balanza después de añadir o quitar equipamiento.



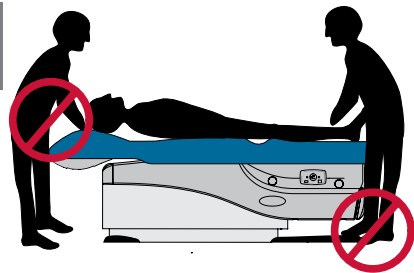
**No** pese a los pacientes con objetos como bolsos, abrigos, etc.



**Asegúrese** de que los pies del paciente no tocan el suelo durante el pesaje.



**No** se apoye, pise ni aplique carga en la camilla mientras esté midiendo el peso.



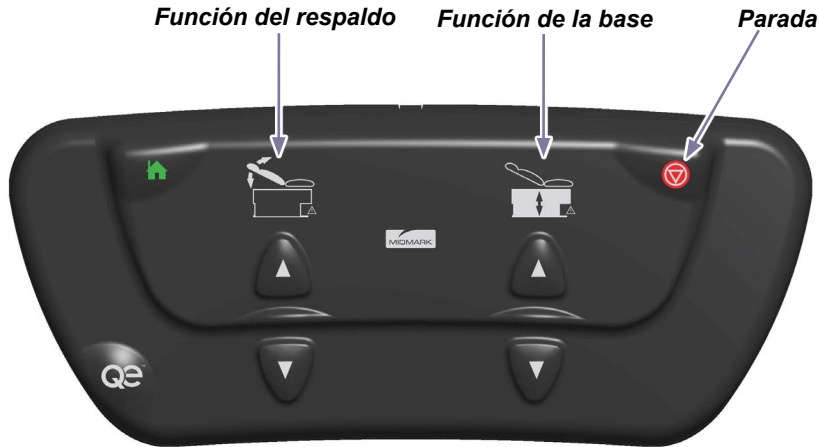
## Funciones de la base y el respaldo

### Para accionar las funciones de la base y del respaldo...

Mantenga pulsado el botón de flecha Arriba o Abajo para activar la función deseada.

*Nota: La mesa se detiene automáticamente al llegar a la altura máxima y la mínima.*

*En caso de funcionamiento incorrecto, pulse el botón Stop (parar) para detener el movimiento.*



### Advertencia sobre el equipo

Si se supera el límite de peso de la camilla, se escuchará un pitido y se desactivará la función. Si el problema se produce con una carga normal, póngase en contacto con el servicio técnico.

## Función “Home” (Inicio)

La función Inicio baja automáticamente la mesa hasta una altura de 51 cm (20 pulgadas) aproximadamente.

**Para activar la función Inicio...**  
Pulse y suelte el botón Inicio.

*Nota: En caso de funcionamiento incorrecto, pulse el botón Parada para detener el movimiento.*



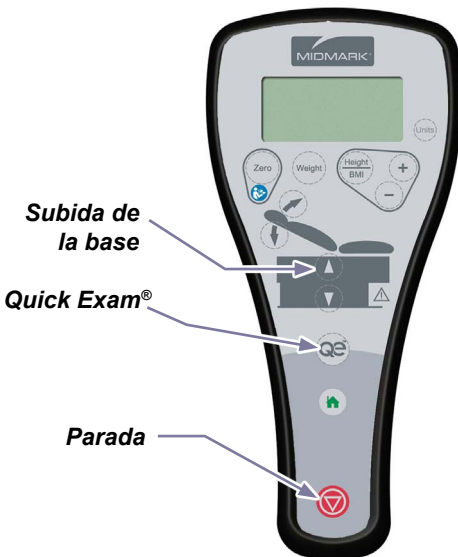
## Función Quick Exam®

La función Quick Exam® sitúa automáticamente la altura del asiento de la camilla en una posición programada.

### Para programar la función Quick Exam®...

- Presione el botón Subir base para mover la camilla hasta la posición deseada.
- Presione y mantenga presionados los botones Quick Exam® y Subir base simultáneamente durante tres segundos.

*Nota: Escuchará un breve pitido cuando se Quick Exam® guarde la posición.*



### Para activar la función Quick Exam®...

Presione y suelte el botón Quick Exam®.

*Nota: En caso de funcionamiento incorrecto, pulse el botón Stop (parar) para detener el movimiento.*



### Advertencia sobre el equipo

Si se supera el límite de peso de la camilla, se escuchará un pitido y se desactivará la función. Si el problema se produce con una carga normal, póngase en contacto con el servicio técnico.

## Exam Assistant® Sistema de cajón

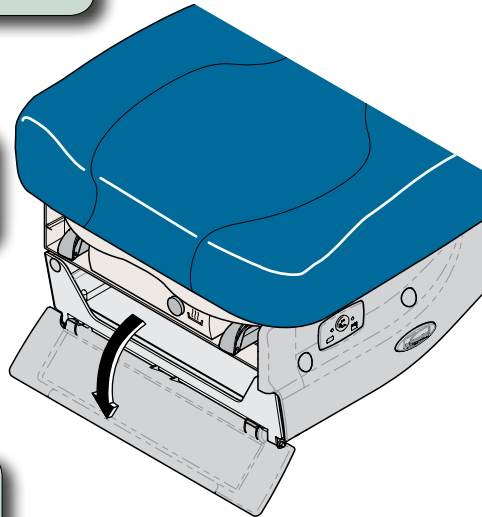
### **Para usar el frente del cajón como repisa...**

Tire del frente del cajón hacia abajo para soltar el cierre magnético.



### **Advertencia sobre el equipo**

El peso máximo que puede soportar la repisa es 4,5 kg (10 lbs).



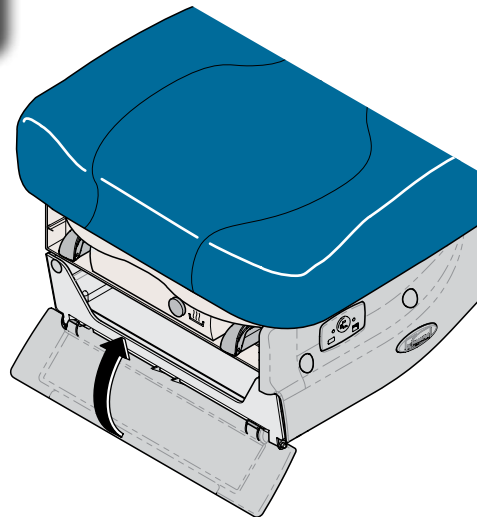
### **Si el frente del cajón se dobla más allá de la posición horizontal...**

Tire del frente del cajón hacia arriba hasta que se trabe en la posición horizontal.



### **Advertencia sobre el equipo**

Si el frente del cajón se dobla más allá de la posición horizontal, **no** opere la camilla.



MA8264I

## Rollo de papel y cintas

Los juegos de tapicería están disponibles en dos anchuras: 71,12 cm (28") (estándar) y 81,28 cm (32") (opcional).

Los rollos de papel de tamaño común se pueden almacenar debajo de la sección del respaldo del modo siguiente:

<u>Ancho tapic.</u>	<u>Tamaño rollo papel</u>	<u>Cant. máx.</u>
71,12 cm (28 pulg.)	53,3 cm largo x 7,6 cm diámetro (21 pulg. x 3.0 pulg.)	4
71,12 cm (28 pulg.)	53,3 cm largo x 8,9 cm diámetro (21 pulg. x 3.5 pulg.)	2
81,28 cm (32 pulg.)	70 cm largo x 7,6 cm diámetro (24 pulg. x 3.0 pulg.)	2
71,12 cm (32 pulg.)	70 cm largo x 8,9 cm diámetro (24 pulg. x 3.5 pulg.)	1

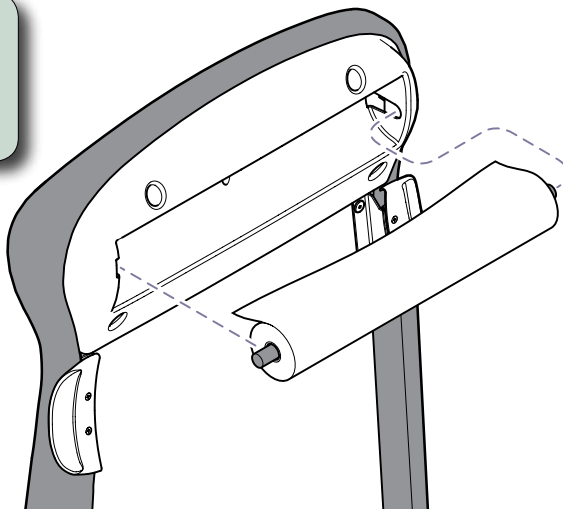


### Advertencia

Para evitar lesiones, no ponga la cabeza o las extremidades debajo de la cinta de papel.

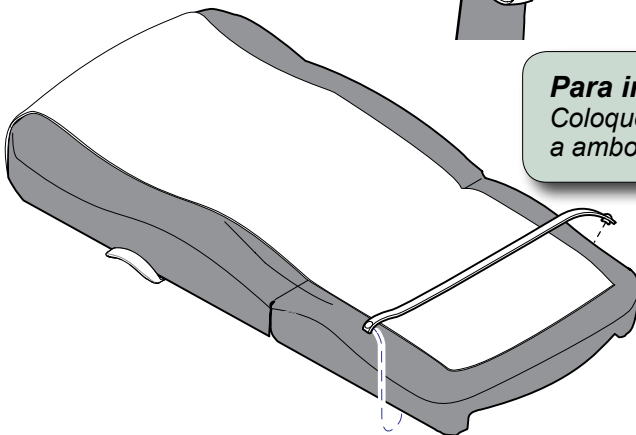
### Para instalar el rollo de papel...

Inserte los extremos de la barra en los encajados debajo del extremo tapizado de la cabecera.



### Para instalar la cinta...

Coloque la cinta de modo que se enganche a ambos lados de la camilla.



MA8018i

## **Estribos**

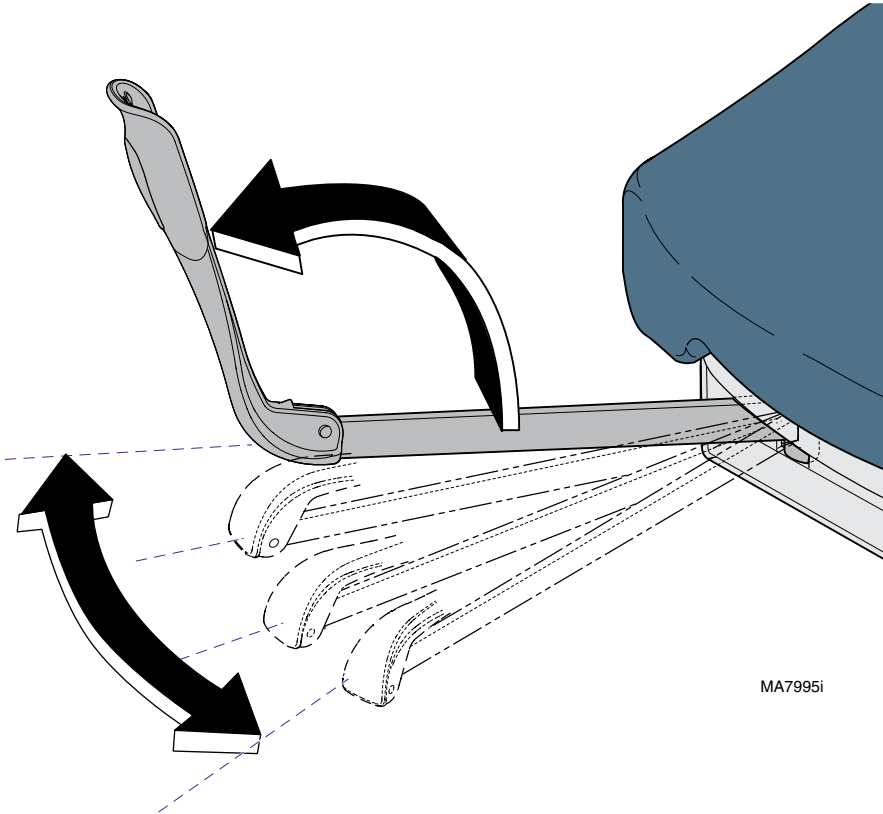


### **Precaución**

*Compruebe que los estribos estén asegurados en su sitio antes de usarlos. Los estribos no soportarán todo el peso del paciente.*

### **Para colocar los estribos...**

- A) Saque el estribo y despléguelo.
- B) Eleve ligeramente el estribo y muévelo hacia la izquierda o la derecha, como lo desee.
- C) Libere el estribo y fíjelo en la posición deseada.



## Bandeja de tratamiento y reposapiés

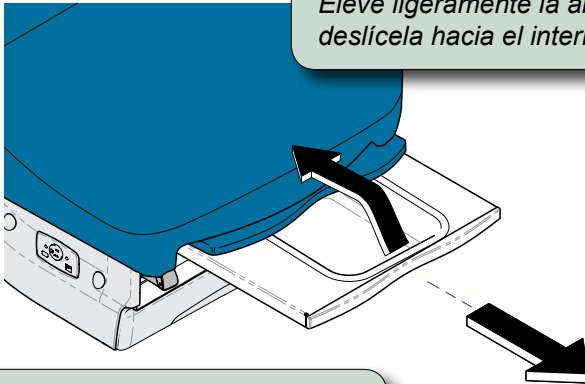


### **Precaución**

No use el reposapiés para apoyar todo el peso del paciente.

### **Para acceder a la bandeja de tratamiento...**

Eleve ligeramente la almohadilla del reposapiés y deslícela hacia el interior de la camilla.



### **Para extender el reposapiés...**

Tire del reposapiés hacia fuera hasta la posición deseada.

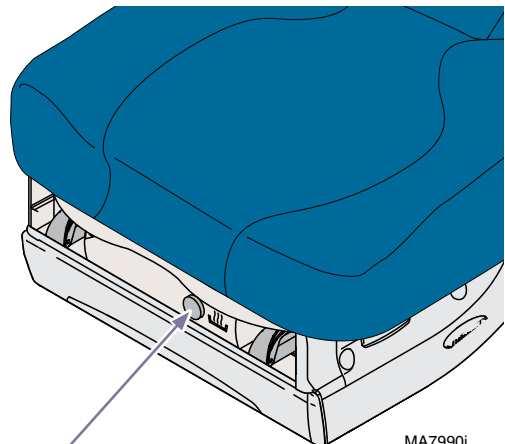
MA8265I

## Calentador de cajón

El calentador de cajón calienta el contenido del cajón hasta aproximadamente 37 °C (98 °F).

### **Para encender y apagar el calentador de cajón...**

Pulse y suelte el interruptor del calentador de cajón.  
(El interruptor se iluminará cuando el calentador esté ENCENDIDO)



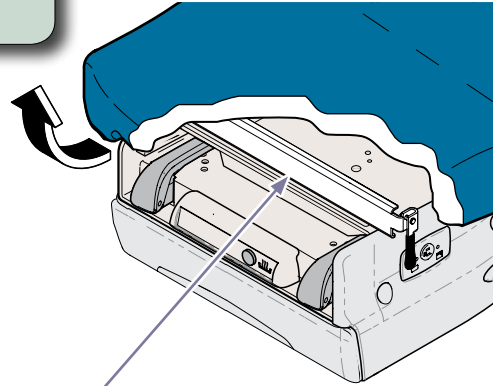
Interruptor del calentador de cajón



## ***Inclinación pélvica***

### ***Para elevar la sección del asiento...***

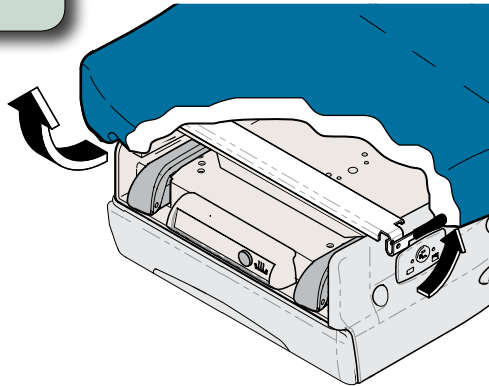
*Eleve el asiento hasta que el soporte pélvico esté en su sitio.*



***Soporte pélvico***

### ***Para volver a colocar la sección del asiento en posición horizontal...***

- A) Levante ligeramente la sección del asiento.*
- B) Gire la manija del soporte pélvico hacia arriba.*
- C) Baje la sección del asiento.*



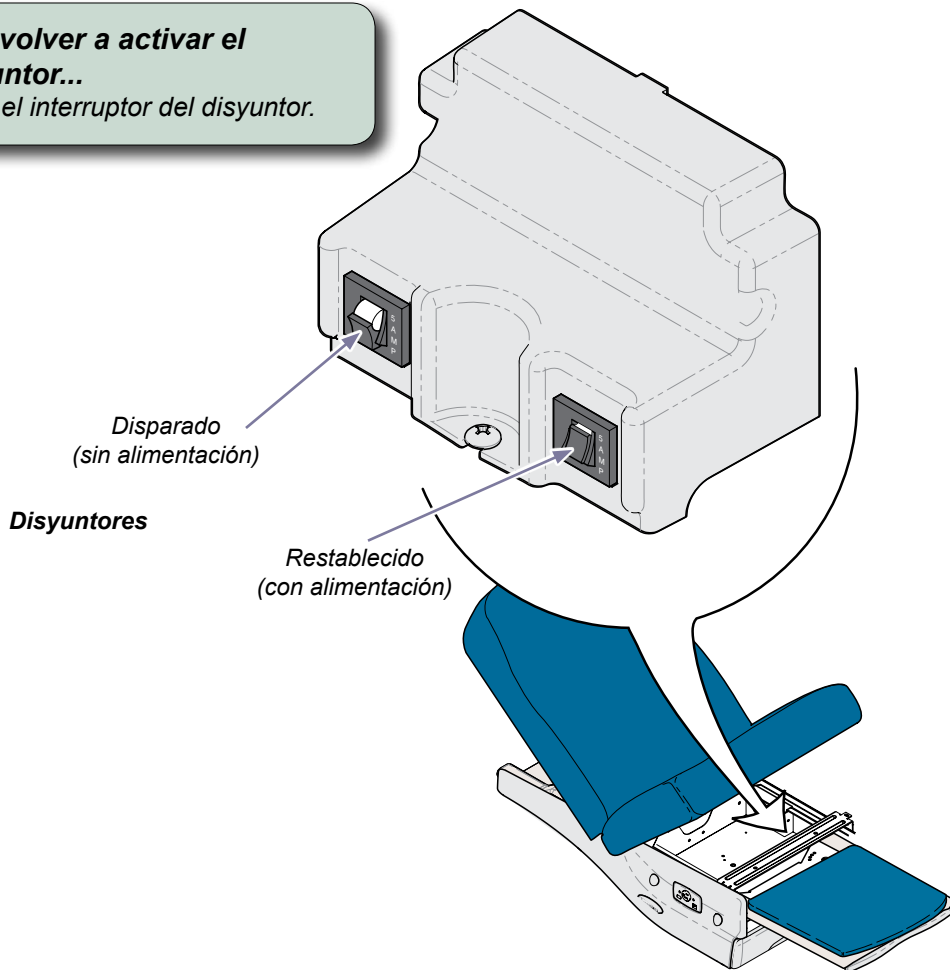
MA8266I

## Tomacorrientes simples

Los tomacorrientes de ambos laterales de la camilla proporcionan alimentación a los accesorios que se utilizan durante procedimientos médicos. Hay dos disyuntores situados debajo de la sección del asiento. Si se supera la carga máxima del tomacorriente, los disyuntores interrumpirán la alimentación.

Carga máxima.....115 V de CA, 5 amperios

**Para volver a activar el disyuntor...**  
Pulse el interruptor del disyuntor.



MA82671

# Funcionamiento IQhub®

Las conexiones de datos están colocadas en cada lado de la camilla y en la parte trasera de la misma.

**Puertos 1, 2, 3 y 4:** conexiones USB.

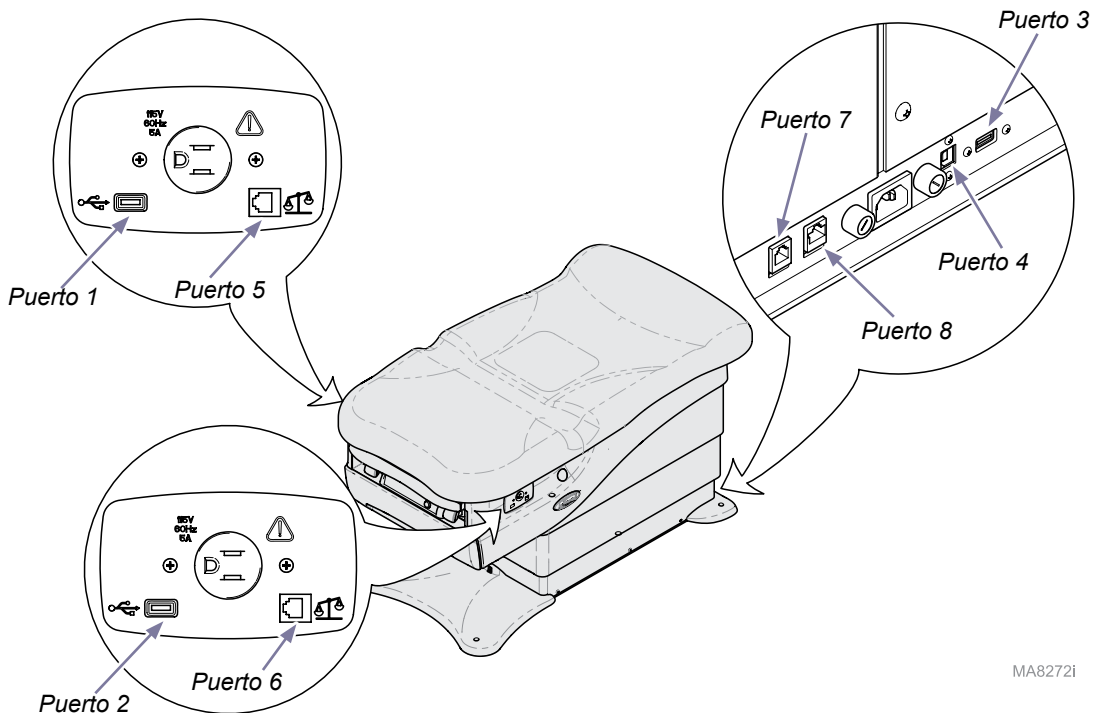
**Puertos 5, 6 y 7:** conexiones constantes vitales.

**Puerto 8:** palanca ni el pedal de control por cable opcional.



## ADVERTENCIA

El equipo de tecnología de la información aprobado IEC 60950 debe colocarse fuera del "entorno del paciente". Consulte las instrucciones de seguridad del presente manual.



MA8272i

# Funcionamiento IQhub® - continuación

## Conexiones USB

Los cuatro puertos USB de la camilla trabajan en conjunto como un hub USB de alta velocidad, conectando hasta tres dispositivos USB a un ordenador con velocidades de hasta 480 Mbit/s.

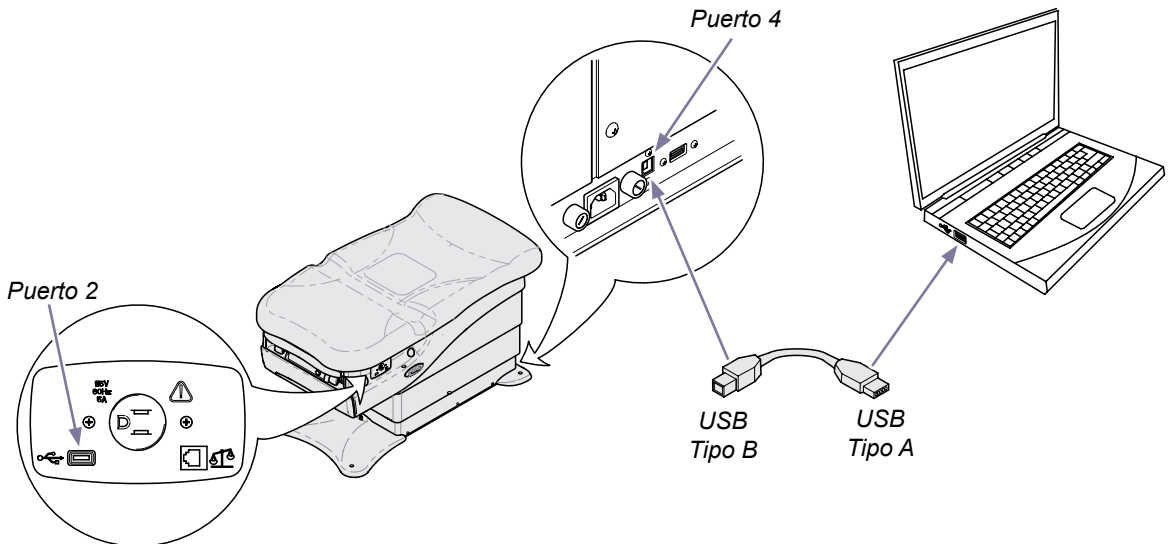
Una vez el hub USB está conectado al ordenador, la balanza digital también se conectará. Esto permitirá la transferencia digital del peso medido al software soportado.

### Instalación:

- Utilice un cable USB estándar\* (hasta cinco metros de longitud), conecte el puerto 4 de la parte trasera de la camilla al ordenador. También puede solicitar un cable USB estándar en Midmark (9A520001).
- Si lo solicita, [haga clic aquí](http://www.midmark.com/technicallibrary/Link-PDFs/625.html) para descargar el último driver de [www.midmark.com](http://www.midmark.com/technicallibrary/Link-PDFs/625.html). (<http://www.midmark.com/technicallibrary/Link-PDFs/625.html>)
- Conecte los dispositivos USB adicionales que necesite a los puertos 1, 2 y 3. Se pueden usar cables USB de hasta dos metros de longitud. Se pueden conectar simultáneamente hasta tres dispositivos adicionales.

### Nota

*Solo se proporciona alimentación a los puertos USB cuando hay un ordenador conectado al puerto 4. (P. ej., los dispositivos que funcionan con pilas no se cargarán a través de un USB a no ser que primero se conecte un ordenador).*



\* Un cable USB estándar tiene un conector Tipo A y un conector Tipo B. Para un mejor rendimiento, utilice cables USB que cumplan todas las especificaciones USB actuales.

MA9943i

## Funcionamiento IQhub® - continuación

### Conexiones constantes vitales

Los puertos serie de la camilla proporcionan conexión a un dispositivo de constantes vitales. Esto permite capturar el peso del paciente de la balanza digital y transferirlo al dispositivo de constantes vitales para su muestra y captura.

Los dispositivos de constantes vitales compatibles son:

- IQvitals® de Midmark
- Spot Vital Signs® de Welch Allyn® LXi \*

### Instalación:

Compre el cable serie apropiado para su equipo:

- IQvitals de Midmark® Cable serie, 1,8 metros (6 pies) de longitud, enrollado (9A478001).
- IQvitals de Midmark® Cable serie, 4,6 metros (15 pies) de longitud, recto (9A478002).
- IQvitals de Midmark® Cable serie, 9,1 metros (30 pies) de longitud, recto (9A478003).
- IQvitals de Midmark® Cable serie, 15,2 metros (50 pies) de longitud, recto (9A478004).
- Spot Vital Signs® de Welch Allyn Cable serie LXi, 1,8 metros (6 pies) de longitud, enrollado (9A479001).
- Spot Vital Signs® de Welch Allyn® Cable serie LXi, 4,6 metros (15 pies) de longitud, recto (9A479002).

Conecte uno de los extremos de las conexiones de constantes vitales (puertos 5, 6 o 7) a un extremo del cable serie y el otro al puerto correspondiente de su dispositivo de constantes vitales.

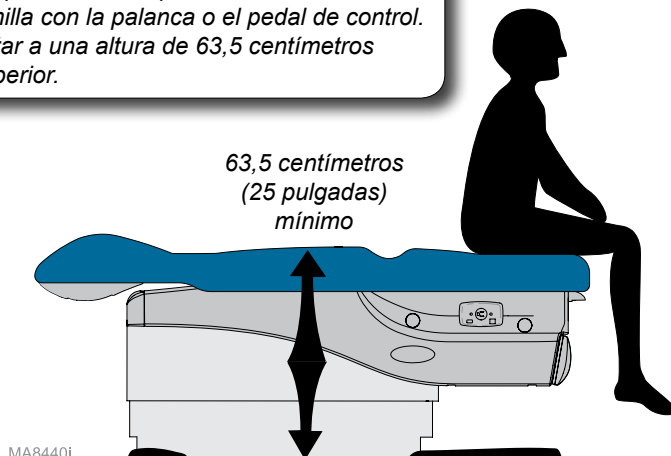
El peso del paciente se medirá automáticamente cuando este se sienta en la camilla.

### Nota

*Antes de sentar al paciente sobre la camilla de exploración, asegúrese de que la balanza se ha tarado. No hacerlo puede afectar la medición del peso del paciente.*

### Nota

*Si no se muestra el peso en su dispositivo de constantes vitales, suba la camilla con la palanca o el pedal de control. La camilla debe estar a una altura de 63,5 centímetros (25 pulgadas) o superior.*



\* Welch Allyn® y Spot Vital Signs® son marcas registradas de Welch Allyn, Inc.

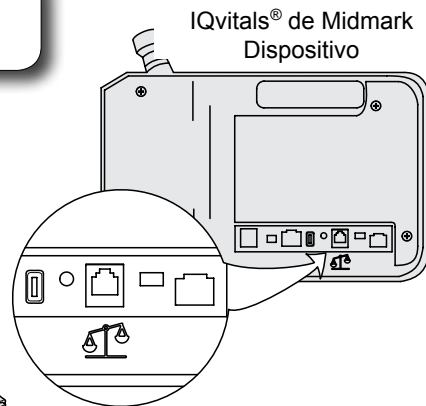
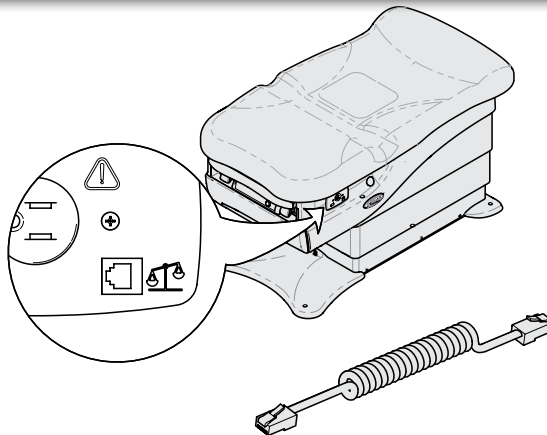
## Funcionamiento IQhub® - continuación

### Conectar la camilla al dispositivo de constantes vitales

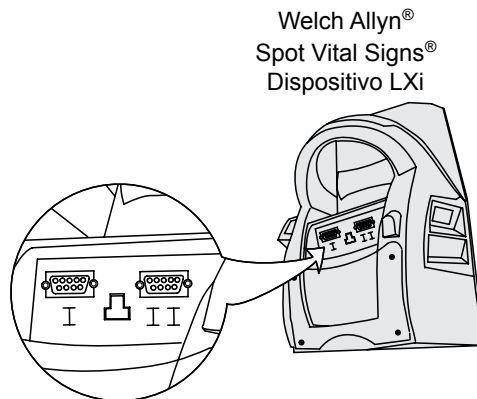
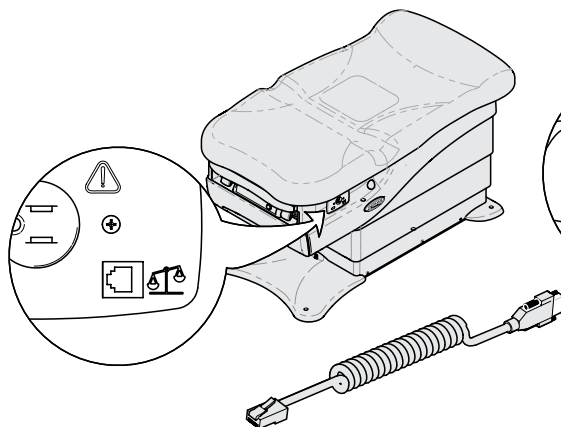
El cable serie puede conectarse a uno de los tres puertos que hay en la camilla.

#### Nota

Solo puede conectarse un dispositivo de constantes vitales cada vez.



MA84371



MA84391

# Mantenimiento

## Solicitud de servicio técnico

### Nota

Cuando llame para solicitar asistencia técnica deberá indicar el modelo y el número de serie.

Póngase en contacto con su distribuidor autorizado Midmark si necesita asistencia técnica.

Para ponerse en contacto directamente con Midmark:

+1-937-526-3662

desde las 8:00 horas hasta las 17:00 de lunes a viernes (EST) [excepto en días festivos regulares de los Estados Unidos]

## Limpieza

### Tapicería



### Advertencia sobre el equipo

*La tapicería es resistente a la mayoría de las manchas que pueden producirse con el uso médico, pero puede dañarse si se derraman tintes o disolventes sobre ella. Debe secar inmediatamente los líquidos que se derramen sobre la tapicería.*

Limpie todas las semanas la tapicería con un jabón líquido suave mezclado con agua, enjuague con agua limpia y seque completamente para eliminar el desinfectante acumulado.

Desinfecte la tapicería utilizando una solución de lejía común y agua 1:10 (10 %) o productos basados en cloro. A continuación, enjuague con agua limpia y seque a fondo el material. Véanse las Directrices vigentes de los Centros para el Control y la Prevención de Enfermedades para la desinfección y esterilización en centros sanitarios.

Para minimizar la acumulación de residuos de desinfectante/limpiador, no deje que los desinfectantes se acumulen en la superficie de la tapicería. Una vez transcurrido el tiempo de contacto aprobado, retire y seque el exceso de líquido que quede en la superficie.

Con el producto se incluyen instrucciones detalladas de conservación y mantenimiento. Esta información también está disponible en [www.midmark.com](http://www.midmark.com) en la biblioteca técnica situada en el apartado "Información del usuario" de su producto.

### Superficies de plástico y metal pintado

Limpie las superficies de plástico y metal pintado pasando un paño suave y limpio con limpiadores suaves. Las aplicaciones periódicas de cera para muebles facilitarán la limpieza y el mantenimiento del lustre del acabado de las superficies.

## Mantenimiento preventivo

Revisión periódica de las siguientes áreas:

- El cable de alimentación no debe presentar cortes ni otros daños visibles.
- Todos los elementos de sujeción deben estar colocados y bien apretados.
- Todas las funciones mecánicas deben funcionar correctamente.

Lubrique periódicamente la bisagra del respaldo para mantener un funcionamiento continuo y silencioso (utilice aceite ligero para máquinas.)

Un técnico debidamente autorizado deberá revisar el equipo cada seis meses.

No es necesario calibrar periódicamente la balanza. Es recomendable comprobar que la balanza mide con precisión utilizando un peso de referencia de valor conocido cada seis meses.

# Resolución de problemas

Síntoma	Posible causa	Corrección
No opera ninguna función.	Tensión de alimentación de la instalación.	Asegure las conexiones del cable de alimentación. Reinicie el disyuntor de circuito.
La camilla se para y pita.	El peso del paciente es superior a 295 kg (650 lbs).	Informe al personal de que el peso máximo del paciente es de 295 kg (650 lbs).
No hay alimentación en los tomacorrientes de la camilla. Todas las demás opciones funcionan.	Cortacircuitos de la camilla activado.	Levante la sección del asiento para acceder al cortacircuitos, pulse para reiniciar.
Al pulsar cualquier botón de control, el mando de control emite un único pitido. (Todas las opciones funcionan)	Poca batería.	Cambie las pilas. ( <i>tamaño: AA</i> )
Cuando el botón del peso está presionado, el mando de control muestra "Table Low" (camilla baja).	Interrupción momentánea de la alimentación.	Baje la camilla hasta abajo.
La camilla no se mueve al presionar el botón Quick Exam® o no va a la altura correcta.	La altura Quick Exam® se ajusta al usuario y puede ser necesario reprogramarla.	Vea las instrucciones de Quick Exam® en este manual.



# Especificaciones

## Pesos, dimensiones y especificaciones eléctricas

Tabla de especificaciones	
<b>Peso del paciente (máximo):</b>	295 kg (650 lbs)
<b>Resolución de la balanza:</b> <b>Precisión de la balanza:</b> 13,6 - 45,4 kg (30 - 100 lb) 45,4 - 136,1 kg (100 - 300 lb) 136,1 - 226,8 kg (300 - 500 lb) 226,8 - 294,8 kg (500 - 650 lb)	0,1kg (0,2 lb) ± 0,1 kg (0,2 lb) ± 0,2 kg (0,4 lb) ± 0,3 kg (0,6 lb) ± 0,4 kg (0,8 lb)
<b>Rollo del papel (tamaño máximo):</b>	<i>(Consulte la página Rollo de papel y cinta)</i>
<b>Límites de movimiento y dimensiones:</b>	<i>(Consulte la página Límites de movimiento y dimensiones)</i>
<b>Peso de la camilla:</b> <b>con tapicería</b> <b>con embalaje y plataforma (sin tap.)</b> <b>Tap. con embalaje (enviado por separado)</b>	216 kg (475 lbs) 224 kg (492 lbs) 20 kg (45 lbs)
<b>Longitud del cable de alimentación:</b>	244 cm (8 pies)
<b>Requisitos eléctricos:</b>	<i>[Consulte las Tablas de cumplimiento de la normativa]</i>
<b>Voltaje del pedal/palanca de control:</b>	14 V de CA, SELV (voltaje de seguridad extra bajo)
<b>Tomacorrientes simple (carga máxima)</b>	115 V CA, 5A, 50/60 Hz
<b>Fusibles:</b> <i>Fusibles de entrada IEC (2)</i> <i>F1 y F2 (en la placa principal de circuito impreso):</i> <i>F3 (en la placa principal de circuito impreso):</i> <i>F4 (en la placa principal de circuito impreso)</i> <i>Modelos con calentador de cajón</i> <i>fusibles del tablero de distribución (2)</i>	6,3 A, 250 V, Tipo-T, 5 x 20 mm 10 A, 250 V, Tipo-T, 5 x 20 mm 160 mA, 250 V, Tipo-T, 5 x 20 mm 6,3 A, 250 V, Tipo-T, 5 x 20 mm 800 mA, 250 V, tipo T, 5 mm x 20 mm
<b>Ciclo de trabajo (tiempo de funcionamiento del motor):</b>	Funcionamiento intermitente <i>[30 segundos ENCENDIDO, 5 minutos APAGADO]</i> <i>Funcionamiento continuo</i>
<b>Tomacorrientes, calentador de cajón:</b>	
<b>Clasificaciones:</b>	Clase 1, parte aplicada Tipo B
<b>Protección contra la entrada de líquidos:</b>	IPX0 <i>[Solo pedal de control: IPX1]</i>



### ADVERTENCIA

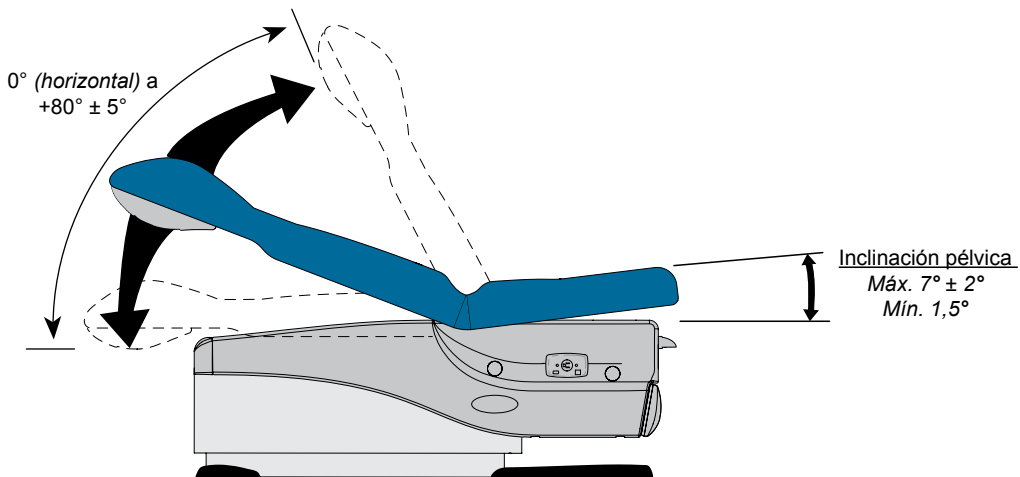
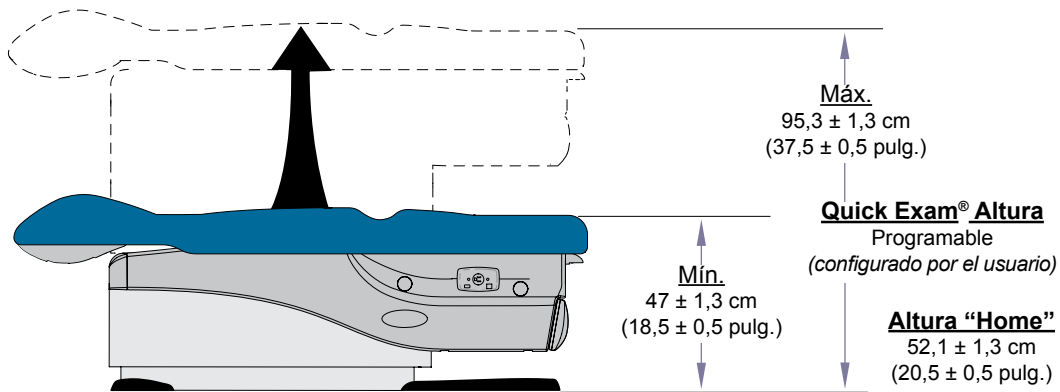
*El equipo no se puede utilizar en presencia de mezclas anestésicas inflamables.*

# Identificación del modelo / Tabla de cumplimiento de las normativas

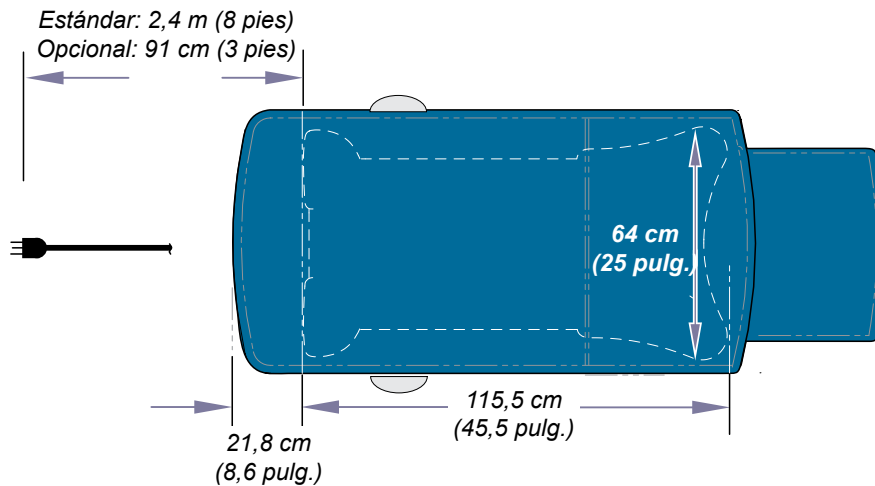
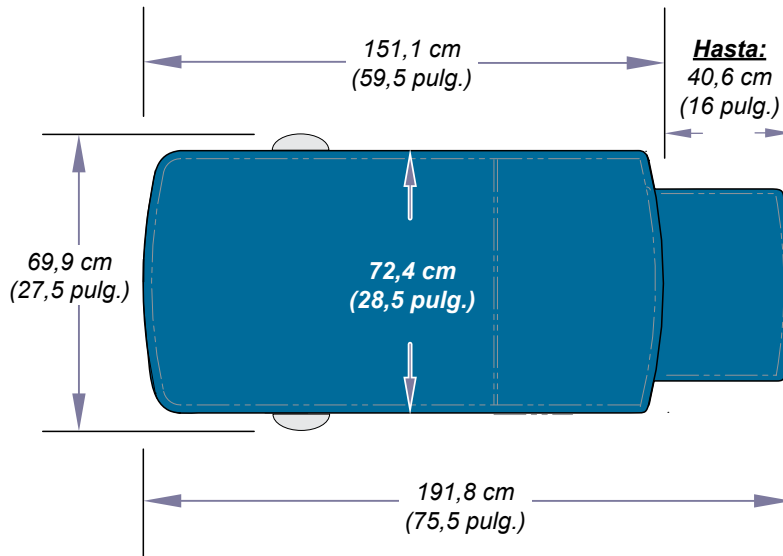
Modelo	Descripción	Conformidad con:				Clasificaciones eléctricas:		
		UL 60601-1	CAN / CSA 22.2, #601.1-M90	EN 60601-1-2 (EMC)	NFPA 99	VAC +/- 10 %	Ampe- rios	Ciclos (Hz)
625-004	Camilla de dos funciones (Base / Respaldo), con tomacorrientes, inclinación pélvica, calentador de cajón, controles inalámbricos, IQscale® e IQhub®.	•	•	•	•	115	12	50/60

Clasificación de códigos de incendios: Toda la tapicería cumple con el Boletín Técnico 117 de la Oficina de California para Mobiliario del Hogar y con el Código de Regulaciones de California, Sección 93120-93120.12, Título 17. Hay tapizados opcionales disponibles que cumplen con el Boletín técnico 133 del Bureau of Home Furnishing de California (Oficina de Mobiliario Doméstico).

# Límites de movimiento y dimensiones



## Límites de movimiento y dimensiones (continuación)



MA8369i

# Información sobre la garantía

**COBERTURA DE LA GARANTÍA.** Midmark Corporation («Midmark») garantiza al comprador minorista original que reparará o reemplazará, a discreción de Midmark, los componentes de los productos médicos nacionales e internacionales fabricados por Midmark (excepto los componentes no garantizados en «Exclusiones») que contengan materiales defectuosos o fallos de mano de obra en condiciones normales de uso y servicio. La responsabilidad única en virtud de esta garantía limitada es a la reparación o la sustitución, a discreción de Midmark, de los componentes aplicables. Esta garantía limitada solo se aplicará a los defectos que se notifiquen a Midmark dentro del período de garantía y cuya existencia se llega a determinar tras un examen efectuado por Midmark. Esta garantía se expide únicamente al comprador minorista original de un producto y no es transferible ni asignable. Se pueden utilizar componentes o productos de repuesto o reformados, siempre y cuando tengan la misma calidad y especificaciones que los componentes y productos nuevos.

Midmark garantiza al comprador minorista original que, durante el período de garantía, reparará o reemplazará el software contenido en los productos fabricados por Midmark (excepto los que no estén garantizados en «Exclusiones») si: (1) los formatos en los que se proporciona el software muestran materiales defectuosos o fallos de mano de obra en condiciones normales de uso y servicio; o (2) el software no se ajusta sustancialmente a las especificaciones publicadas.

**PERÍODO DE LA GARANTÍA** El período de validez de la garantía de todos los productos y componentes es de un (1) año a partir de la fecha de facturación al comprador minorista original del producto.

**OBTENCIÓN DEL SERVICIO DE GARANTÍA** El servicio de garantía debe obtenerse a través de un distribuidor de Midmark o un distribuidor autorizado por Midmark en la línea de productos para la que se solicita el servicio de garantía. Puede contactar con Midmark para consultarle dudas o problemas sobre el servicio de garantía por correo electrónico en [www.midmark.com](http://www.midmark.com), por teléfono al +1-937-526-3662 o por correo postal a Midmark Corporation, 60 Vista Drive, Versailles, Ohio 45380. Es obligación del comprador minorista organizar la entrega de un producto a Midmark o a uno de sus distribuidores autorizados para el servicio de garantía, la cual correrá a cargo del comprador. También es obligación del comprador minorista cumplir las instrucciones de servicio de garantía proporcionadas, ya sea por Midmark o por su distribuidor autorizado. El comprador minorista debe suministrar a Midmark la información de registro de la garantía completada en un plazo de treinta (30) días después de la compra con el fin de obtener los beneficios de esta garantía limitada.

**EXCLUSIONES:** Esta garantía limitada no cubre (y Midmark no es responsable de) lo siguiente:

- (1) Defectos, daños u otras condiciones causadas, en su totalidad o en parte, por el mal uso, abuso, negligencia, alteración, accidente, daños durante el transporte, almacenamiento negligente, manipulación o incapacidad de solicitar y lograr la reparación o la sustitución dentro del plazo estipulado;
- (2) Productos que no se hayan instalado, utilizado o limpiado y mantenido adecuadamente tal y como se indica o se recomienda en la «Instalación» de Midmark y/o el «Manual de instalación/uso» del producto en cuestión, incluidas las condiciones de entorno estructural y operativo y los requisitos de alimentación eléctrica;
- (3) Productos considerados de naturaleza consumible o estéril;
- (4) Accesorios o piezas no fabricados por Midmark;
- (5) Facturas de terceros en concepto de ajustes, reparaciones, piezas de recambio, instalaciones o cualquier otra modificación del producto, o relacionada con el mismo, que se hayan realizado sin la autorización previa por escrito de Midmark;
- (6) Costes y gastos de mantenimiento y limpieza rutinarios; y
- (7) Declaraciones y garantías hechas por cualquier persona o entidad que no sea Midmark.
- (8) Coincidencia de color, grano o textura, a excepción de las normas comercialmente aceptables;
- (9) Cambios en el color causados por la luz natural o artificial;
- (10) Productos fabricados a medida;
- (11) Alteraciones o modificaciones del producto efectuadas por cualquier persona o entidad que no sea Midmark; y
- (12) Productos que estarían cubiertos por esta garantía limitada pero que se hayan adquirido: (i) a través de una persona o entidad distinta a Midmark o sus distribuidores autorizados; o (ii) a través de un distribuidor de Midmark que no tenga la autorización para vender el producto en cuestión en el territorio donde se encuentre el comprador, o que no tenga la autorización para vender el producto en el sector médico.

**SOFTWARE; EN RELACIÓN CON EL SOFTWARE QUE CONSTITUYA UN PRODUCTO O COMPONENTE DEL MISMO, MIDMARK NO GARANTIZA QUE EL SOFTWARE:** (1) ESTÉ LIBRE DE ERRORES; (2) SE PUEDA UTILIZAR SIN PROBLEMAS NI INTERRUPCIONES; O (3) NO SEA VULNERABLE A LA INTRUSIÓN O AL ATAQUE DE VIRUS U OTROS MÉTODOS.

**RESPONSABILIDAD EXCLUSIVA; DAÑOS EMERGENTES; LA ÚNICA RESPONSABILIDAD DE MIDMARK EN VIRTUD DE LA PRESENTE GARANTÍA LIMITADA ES LA DE REPARAR O SUSTITUIR LAS PIEZAS DEFECTUOSAS.** MIDMARK NO SE HACE RESPONSABLE DE, Y POR LA PRESENTE RENUNCIA A, CUALESQUIERA DAÑOS DIRECTOS, ESPECIALES, INDIRECTOS, ACCIDENTALES, EJEMPLARES O CONSECUENTES, O DEMORAS, INCLUIDOS, SIN LIMITACIÓN, DAÑOS POR PÉRDIDA DE GANANCIAS O INGRESOS, PÉRDIDA DE USO, PÉRDIDA DE DATOS, TIEMPO MUERTO, COBERTURA Y SALARIOS DE EMPLEADOS O DE CONTRATISTA INDEPENDIENTE, PAGOS Y BENEFICIOS. LA PRESENTE EXENCIÓN DE RESPONSABILIDAD SERÁ VÁLIDA AUN EN CASO DE INCUMPLIMIENTO O INCUMPLIMIENTO ALLEGADO DEL OBJETIVO PRINCIPAL DE ESTA GARANTÍA LIMITADA O DE SUS RESPONSABILIDADES ESPECIFICADAS EN EL PRESENTE DOCUMENTO. EXENCIÓN DE RESPONSABILIDAD DE LA GARANTÍA ESTA ES LA GARANTÍA COMPLETA DE MIDMARK Y SUSTITUYE A CUALQUIER OTRA GARANTÍA, EXPLÍCITA O IMPLÍCITA. MIDMARK NO OFRECE GARANTÍAS IMPLÍCITAS DE NINGÚN TIPO, INCLUIDAS LAS IMPLÍCITAS DE COMERCIABILIDAD O IDONEIDAD PARA UN PROPÓSITO DETERMINADO. ESTA GARANTÍA SE LIMITA A LA REPARACIÓN O SUSTITUCIÓN DE PIEZAS DEFECTUOSAS.

**ESTATUTO DE LIMITACIONES** No podrá interponerse ninguna acción contra Midmark por incumplimiento de esta garantía limitada, de una garantía implícita, si las hubiere, o por cualquier otra reclamación que surja de o en relación con los productos, después de transcurridos noventa (90) días después del vencimiento del período de garantía limitada.

**AUTORIZACIÓN** Midmark no autoriza a ninguna persona ni empresa a imponer ni aprobar ninguna otra obligación ni responsabilidad en relación con los productos.

**Notas:**

**Notas:**

**Midmark Corporation**

60 Vista Drive

Versailles, OH 45380 EE. UU.

800-643-6275

+1-937-526-3662



Because we care.





# Table d'examen Barrier-Free<sup>®</sup> avec IQscale<sup>®</sup> et IQhub<sup>®</sup>

[English](#)  
[Español](#)  
[Français](#)

Pour le modèle :  
625 (-004)



## Guide de l'utilisateur

# Informations produit

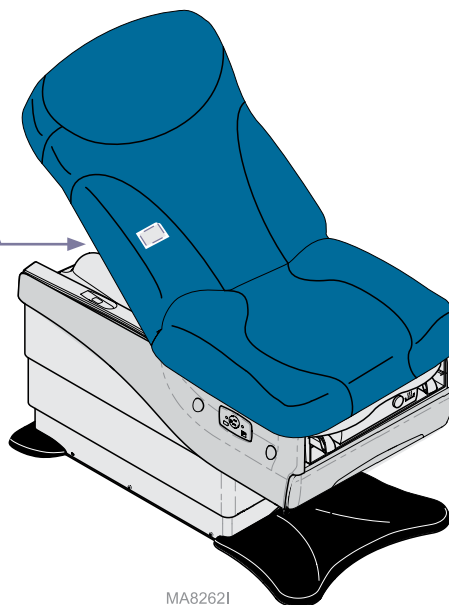
**Revendeur :**

**Date d'acquisition :**

**Numéro de modèle/de série :**

**Société de service après-vente agréée Midmark :**

**L'étiquette sur laquelle figure le numéro de modèle/de série est située sur le support de montage du dossier (l'emplacement exact peut varier)**



MA8262I

# Table des matières

## **Renseignements importants**

<u>Symboles de sécurité</u> .....	4
<u>Transport et conditions de stockage</u> .....	4
<u>Renseignements sur la conformité</u> .....	5
<u>Utilisation prévue</u> .....	6
<u>Alimentation électrique</u> .....	6
<u>Interférence électromagnétiques</u> .....	6
<u>Mise au rebut de l'équipement</u> .....	6
<u>Précision de la balance numérique</u> .....	7
<u>Consignes de sécurité</u> .....	7

## **Fonctionnement**

<u>Fonctions de l'IQscale®</u> .....	9
<u>Fonctions de l'assise/du dossier</u> .....	14
<u>Fonction « Origine »</u> .....	15
<u>Fonction Quick Exam®</u> .....	16
<u>Tiroir Exam Assistant®</u> .....	17
<u>Rouleau de papier et sangle de maintien</u> .....	18
<u>Étriers</u> .....	19
<u>Repose-pied et cuvette</u> .....	20
<u>Élément chauffant du tiroir</u> .....	20
<u>Surélévation du bassin</u> .....	21
<u>Prises simplex</u> .....	22
<u>Fonctionnement de l'IQhub®</u> .....	23

## **Entretien**

<u>Service après-vente</u> .....	27
<u>Nettoyage</u> .....	27
<u>Entretien préventif</u> .....	27
<u>Dépannage</u> .....	28

## **Caractéristiques techniques**

<u>Poids, dimensions, caractéristiques électriques</u> .....	29
<u>Identification du modèle/Tableau de conformité</u> .....	30
<u>Amplitude de mouvement et dimensions</u> .....	31

## **Renseignements sur la garantie**

<u>Garantie limitée</u> .....	33
-------------------------------	----

# Renseignements importants

## Symboles de sécurité



### **DANGER**

Signale un danger imminent qui entraînera des blessures graves, voire mortelles. Ce symbole n'est utilisé que pour les cas les plus extrêmes.



### **AVERTISSEMENT**

Signale un danger potentiel qui pourrait entraîner des blessures graves.



### **Attention**

Signale un danger potentiel qui risque d'entraîner des blessures modérées ou mineures. Peut également servir à signaler à l'utilisateur des pratiques dangereuses



### **Avertissement relatif à l'équipement**

Signale un danger potentiel qui pourrait endommager l'équipement.

### **Remarque**

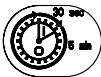
Attire l'attention sur une procédure, une pratique ou une situation.



Consulter le guide de l'utilisateur pour connaître les renseignements importants



Mise à la terre de protection



Cycle d'utilisation (cycle du moteur) :  
30 secondes activé, 5 minutes désactivé



Calibre des fusibles



Conserver au sec



Type B, partie appliquée



Orientation correcte pour l'expédition



Hauteur maximale d'empilage (palettes empilées)



Fragile



Arrêt d'urgence



Poids limite du patient

## Transport et conditions de stockage

Plage de températures ambiantes : .....5 °C à 40 °C (41 °F à 104 °F)  
Humidité relative ..... 10 à 90 % (sans condensation)  
Pression atmosphérique ..... 500 hPa (0,49 atm) à 1 060 hPa (1,04 atm)

# ***Renseignements sur la conformité***

## ***Déclaration de conformité de la FCC (Commission fédérale américaine des communications)***

Ce matériel a été testé et s'est révélé conforme aux limites pour un dispositif numérique de classe A conformément à la Partie 15 des règles de la FCC. Ces limites sont prévues pour assurer une protection raisonnable contre les interférences nuisibles lorsque l'équipement est utilisé dans un environnement commercial. Cet équipement génère, utilise et peut émettre de l'énergie de fréquence radio et, s'il n'est pas installé et utilisé conformément au manuel d'instructions, peut causer des interférences nuisibles aux radiocommunications. L'utilisation de ce matériel dans une zone résidentielle est susceptible de provoquer des interférences dangereuses, que vous devrez corriger à vos frais.

Toute modification apportée à ce matériel peut violer les règles de la Commission fédérale américaine des communications et rendre l'utilisation du matériel illégale.

## ***Déclaration de conformité d'Industrie Canada (IC)***

### **Interférence**

"This device complies with Industry Canada license-exempt RSS standard(s). Operation is subject to the following two conditions: (1) this device may not cause interference, and (2) this device must accept any interference, including interference that may cause undesired operation of the device."

« Le présent appareil est conforme aux CNR d'Industrie Canada applicables aux appareils radio exempts de licence. L'exploitation est autorisée aux deux conditions suivantes : (1) l'appareil ne doit pas produire de brouillage, et (2) l'utilisateur de l'appareil doit accepter tout brouillage radioélectrique subi, même si le brouillage est susceptible d'en compromettre le fonctionnement. »

### **Antennes**

"Under Industry Canada regulations, this radio transmitter may only operate using an antenna of a type and maximum (or lesser) gain approved for the transmitter by Industry Canada. To reduce potential radio interference to other users, the antenna type and its gain should be so chosen that the equivalent isotropically radiated power (e.i.r.p.) is not more than that necessary for successful communication."

« Conformément à la réglementation d'Industrie Canada, le présent émetteur radio peut fonctionner avec une antenne d'un type et d'un gain maximal (ou inférieur) approuvé pour l'émetteur par Industrie Canada. Dans le but de réduire les risques de brouillage radioélectrique à l'intention des autres utilisateurs, il faut choisir le type d'antenne et son gain de sorte que la puissance isotrope rayonnée équivalente (p.i.r.e.) ne dépasse pas l'intensité nécessaire à l'établissement d'une communication satisfaisante. »

## Utilisation prévue

Cette table d'examen est destinée à être utilisée comme un fauteuil ou une table afin de permettre le placement et le support du patient lors d'une procédure ou d'un examen général(e) effectué(e) par un professionnel de la santé qualifié.

Grâce à l'ajout d'une balance numérique intégrée, la table d'examen peut en outre être utilisée dans le cadre d'un contrôle régulier afin d'évaluer les fluctuations pondérales des patients et de mesurer le poids des patients pour faciliter le diagnostic médical. La balance numérique intégrée n'est pas conçue pour les patients pesant moins de 13,6 kg (30 pounds) ou plus de 295 kg (650 pounds).

## Alimentation électrique

*Avant de brancher le cordon d'alimentation de l'appareil Midmark à une prise électrique, il est conseillé de contacter un électricien agréé ou une autorité locale compétente en matière d'installation électrique intérieure des bâtiments afin de vérifier que l'appareil est conforme aux normes électriques en vigueur une fois allumé. Appliquer les valeurs de puissance électrique indiquées sur l'appareil afin de choisir le circuit de dérivation électrique et les contraintes de tension appropriés. Pour les modèles 115 V avec un courant nominal de 12 A ou plus, un circuit de dérivation spécifique peut s'avérer nécessaire si la protection du circuit de dérivation est assurée par un disjoncteur de 15 A.*



### **Attention**

*En cas d'utilisation d'appareils chirurgicaux à haute fréquence ou de cathéters endocardiques :*

- *Utilisez un matériau non conducteur pour isoler le patient des parties métalliques du fauteuil.*
- *Consultez les instructions d'utilisation de l'appareil avant de l'utiliser avec le tiroir l'élément chauffant du garniture.*

*Tout manquement à cette recommandation peut provoquer une électrocution ou des brûlures au patient.*

## Interférences électromagnétiques

Ce produit est conçu et construit pour minimiser les interférences électromagnétiques avec d'autres appareils. Cependant, en cas d'interférences entre un autre appareil et ce produit :

- retirez de la pièce l'appareil qui crée les interférences ;
- branchez le fauteuil sur un circuit isolé ;
- imposez une distance entre le fauteuil et l'appareil qui crée les interférences ;
- contactez Midmark si les interférences persistent.

## Mise au rebut de l'équipement

À la fin de la durée de vie du produit, le fauteuil, les accessoires et autres fournitures peuvent devenir contaminés dans le cadre d'une utilisation normale. Consultez les codes et les arrêtés locaux pour vous renseigner sur la mise au rebut appropriée de l'équipement, des accessoires et autres fournitures.

## Précision de la balance numérique



### Avertissement relatif à l'équipement

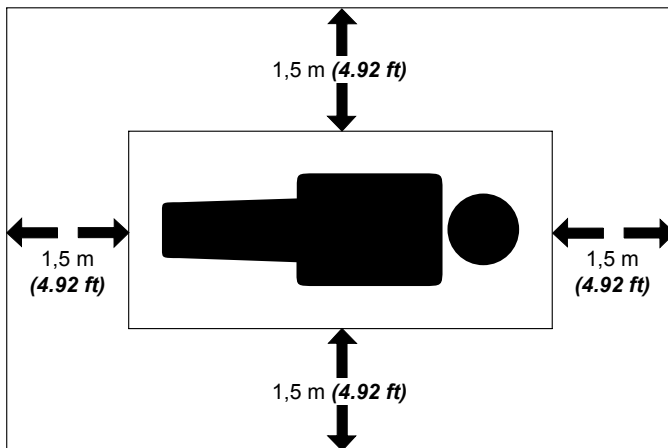
Avant d'utiliser la balance numérique, il est recommandé de vérifier la précision de la mesure de la balance en utilisant un poids de référence d'une valeur connue. En outre, reportez-vous au calendrier d'entretien préventif pour la fréquence recommandée de cette vérification. Si la balance s'avère mal étalonnée, contactez votre technicien de maintenance agréé Midmark avant d'utiliser la balance.

## Consignes de sécurité



### AVERTISSEMENT

**Risque d'électrocution :** Tout équipement accessoire connecté au port SIP/SOP doit être certifié conformément aux normes CEI respectives, c'est-à-dire CEI 60950 pour les matériels de traitement de l'information ou CEI 60601-1 pour les appareils électromédicaux. Toutes les combinaisons d'appareils doivent être conformes aux exigences de la norme CEI 60601-1-1 applicable aux systèmes. Toute personne connectant un équipement supplémentaire dans le port SIP/SOP configure un système médical et est ainsi responsable de s'assurer que le système est conforme aux exigences de la norme CEI 60601-1-1. Le matériel informatique conforme à la norme CEI 60950 doit être placé en dehors de « l'environnement du patient ». Par environnement du patient, on entend un périmètre de 1,5 m (4.92 feet) autour du patient.



Les options suivantes sont recommandées s'il est nécessaire de remédier à un courant de fuite dans le système :

- Une connexion de protection à la terre redondante doit être effectuée au niveau du dispositif médical ou de l'autre appareil.
- L'autre appareil doit être alimenté par un transformateur de séparation de qualité médicale (conforme à la norme CEI 60601-1).

## Consignes de sécurité – suite



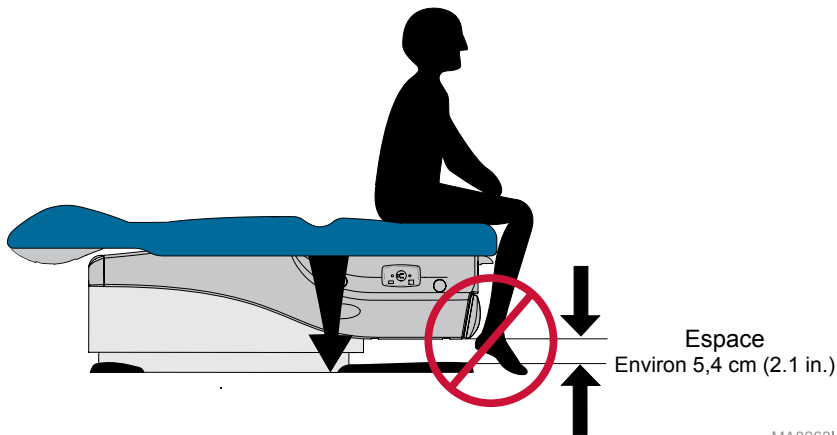
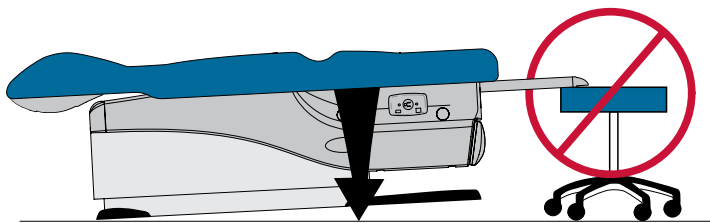
### Attention

Veillez à ce que tout membre du personnel et tout équipement soient éloignés de la table avant d'activer une fonction. Tout manquement à cette recommandation peut entraîner des blessures.

Lorsque la table est abaissée au maximum [45,7 cm (18 in.)], l'espace entre le bas du tiroir et le sol est d'environ 5,4 cm (2.1 in.). Éloignez le patient (*notamment ses pieds*) et tout objet de cette zone avant d'abaisser la table d'examen.

Si la table d'examen ne fonctionne pas correctement, relâchez immédiatement la pédale, débranchez le cordon d'alimentation et aidez le patient à descendre de la table. Si le dysfonctionnement persiste, contactez le service après-vente.

Il est impératif de respecter ces instructions pour éviter toute blessure au patient et/ou dommage matériel.



MA8263I



# Fonctionnement

## Fonctions de l'IQscale®

Une bonne pratique consiste à toujours mettre la balance à zéro avant de peser un patient. Pour plus de détails, reportez-vous aux directives en matière de pesage dans ce manuel.

### Remarque

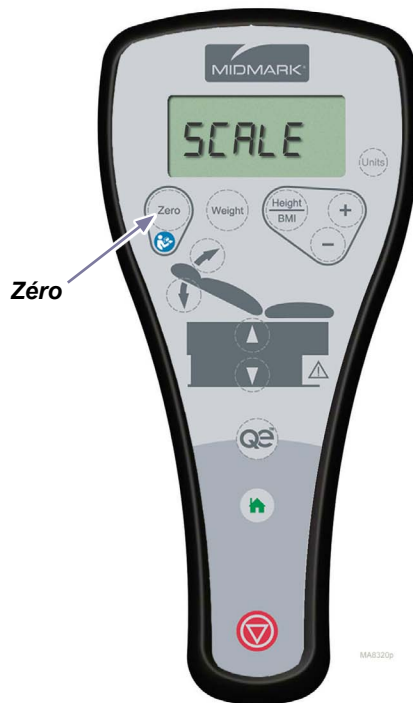
*Avant d'inviter un patient à s'asseoir sur la table d'examen, assurez-vous que la balance est mise à zéro.*

*Le non-respect de cette consigne peut affecter la pesée du patient.*

### Pour remettre la balance à zéro...

*Avant de faire asseoir le patient, enfoncez puis relâchez le bouton Zero (Zéro).*

*Le message « Scale Ready » (Balance prête) clignote sur l'écran ; la mise à zéro est terminée et le patient peut être invité à s'asseoir.*



## Fonctions de l'IQscale® – suite



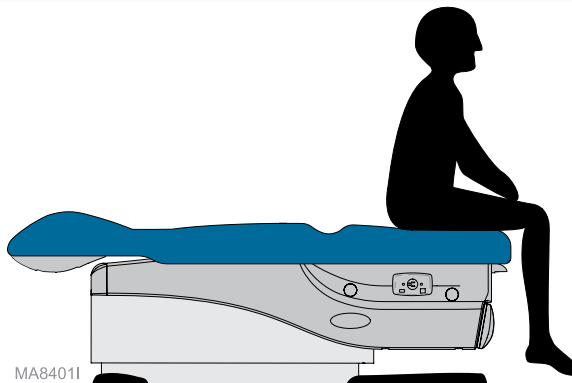
### Attention

La balance est prévue pour les patients pesant entre 13,6 et 295 kg (30 et 650 lbs). Si le poids est inférieur à 13,6 kg (30 lbs) ou supérieur à 295 kg (650 lbs), le relevé de poids clignotera sur l'écran pour indiquer que le poids est hors plage. N'utilisez pas un relevé de poids hors plage (clignotant) pour les mesures du patient.

### Pour peser le patient...

Lorsque le patient est en position assise, enfoncez puis relâchez le bouton Weight (Poids).

Remarque : pour éviter que les pieds du patient ne touchent le sol, la table se relève automatiquement à une hauteur de 63,5 cm (25 in.) avant d'afficher le poids du patient.



### Pour calculer l'indice de masse corporelle (IMC) du patient...

- Après l'affichage du poids du patient, enfoncez puis relâchez le bouton Height/BMI (Taille/IMC).
- Appuyez sur le bouton (+) ou (-) pour augmenter ou diminuer la taille affichée du patient.
- Appuyez à nouveau sur le bouton Height/BMI (Taille/IMC) pour afficher l'IMC du patient.



## Configuration de la mise à zéro automatique

Une bonne pratique consiste à toujours mettre la balance à zéro avant de peser un patient. Pour plus de détails, reportez-vous aux directives en matière de pesage à la page suivante.

En outre, à intervalles réguliers, la balance numérique se met automatiquement à zéro. Cette mise à zéro automatique n'intervient qu'en l'absence de patients.

Cette fonction de mise à zéro automatique peut être activée ou désactivée si nécessaire. La mise à zéro automatique est activée par défaut.

### Remarque

*Avant d'inviter un patient à s'asseoir sur la table d'examen, assurez-vous que la balance est mise à zéro.*

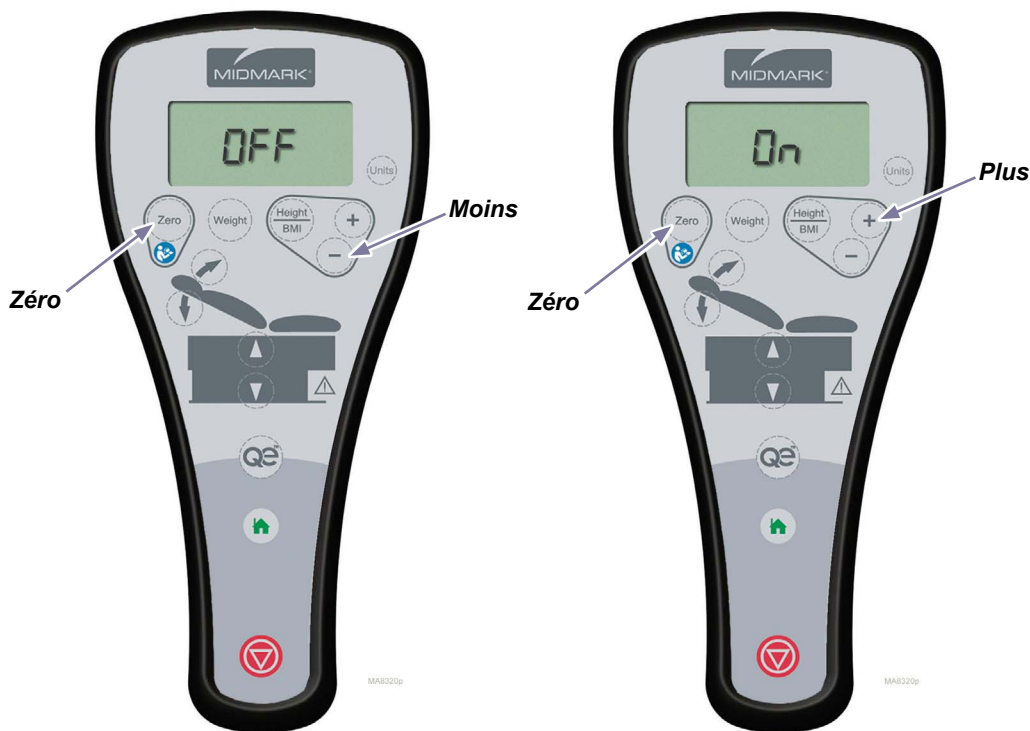
*Le non-respect de cette consigne peut affecter la pesée du patient.*

### Pour la désactiver :

- maintenez simultanément appuyés les boutons « Zero » (Zéro) et « Moins » pendant cinq secondes ;
- le message « auto zero off » (mise à zéro désactivée) clignote sur l'écran. La mise à zéro automatique est désactivée et la balance est prête à être utilisée.

### Pour la réactiver :

- maintenez simultanément appuyés les boutons « Zero » (Zéro) et « Plus » pendant cinq secondes ;
- le message « auto zero on » (mise à zéro activée) clignote sur l'écran. La mise à zéro automatique est activée et la balance est prête à être utilisée.



## **Configuration des unités**

**(S'applique aux unités avec une version logicielle 141 et supérieure)**

### **Remarque**

*Pour vérifier la version logicielle, enlevez et réinstallez les piles de la commande manuelle. La version logicielle sera affichée momentanément sur la commande manuelle.*

La touche Unités sera utilisée pour verrouiller les unités (métriques ou anglosaxonnes) et pour les déverrouiller. La touche Unités se comporte différemment suivant que les unités sont verrouillées ou non.

### **Si les Unités sont déverrouillées :**

- Lorsque l'affichage est vide, relâcher la touche Unités pour afficher l'indicateur des unités actuelles.
- Lorsque l'écran affiche exclusivement l'indicateur des unités, relâcher la touche Unités pour que l'indicateur des Unités bascule entre les écrans avec les unités en pouce/livre et en cm/kg.
- Lorsque l'écran affiche exclusivement l'indicateur des unités, maintenir la touche Unités enfoncée pendant 5 secondes pour que l'écran LCD affiche le message suivant 'UnitS','LOC',' ' répéter 3 fois.
- Lorsque l'écran affiche Poids, appuyer et relâcher la touche Unités pour faire basculer l'indicateur des unités entre livre/kg et afficher le poids dans les nouvelles unités.
- Lorsque l'écran affiche Hauteur, appuyer et relâcher la touche Unités pour faire basculer l'indicateur des unités entre pouce/cm et afficher la hauteur dans les nouvelles unités.

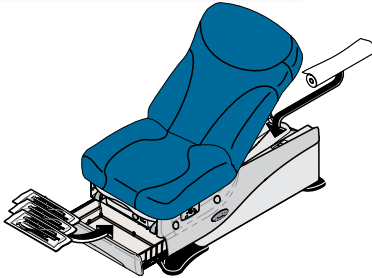
### **Si les Unités sont verrouillées :**

- Lorsque l'affichage est vide, relâcher la touche Unités pour afficher l'indicateur des Unités actuelles.
- Lorsque l'écran affiche exclusivement l'indicateur des unités, relâcher la touche Unités restera sans effet
- Lorsque l'écran affiche exclusivement l'indicateur des unités, maintenir la touche Unités enfoncée pendant 5 secondes pour que l'écran LCD affiche le message suivant 'UnitS','UnLOC',' ' répéter 3 fois.
- Lorsque l'écran affiche Poids, appuyer sur la touche Unités pour faire basculer l'indicateur des unités entre livre/kg et afficher le poids dans les nouvelles unités. Relâcher la touche Unités pour faire rebasculer l'indicateur des unités aux unités précédentes.
- Lorsque l'affichage indique Hauteur, appuyer sur la touche Unités pour faire basculer l'indicateur des unités entre pouce/cm et afficher la hauteur dans les nouvelles unités. Relâcher la touche Unités pour faire rebasculer l'indicateur des unités aux unités précédentes.

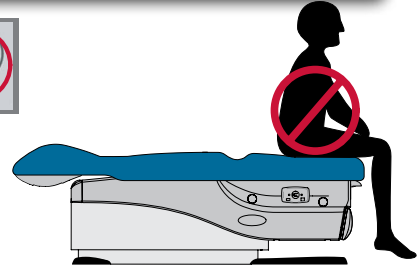


Afin de garantir une pesée correcte du patient, veuillez passer en revue les directives suivantes.

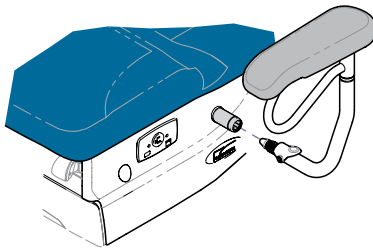
**Mettre** la balance à zéro après avoir ajouté ou retiré un équipement.



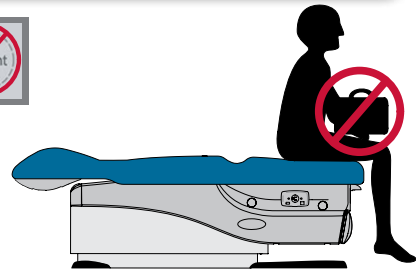
**Ne pas mettre** la balance à zéro quand le patient est sur la table.



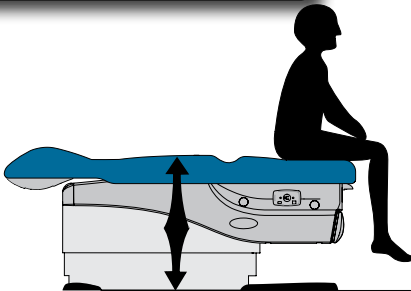
**Mettre** la balance à zéro après avoir ajouté ou retiré un équipement.



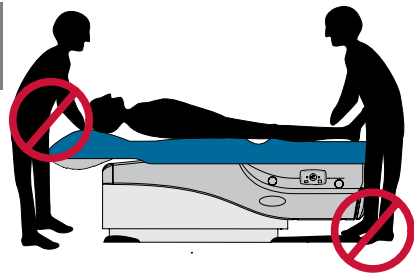
**Ne pas** peser les patients qui portent des objets tels qu'un sac à main, un manteau, etc.



**S'assurer** que les pieds du patient ne touchent pas le sol pendant la pesée.



**Ne pas** s'appuyer, poser le pied ou appliquer une charge sur la table lors de la pesée.

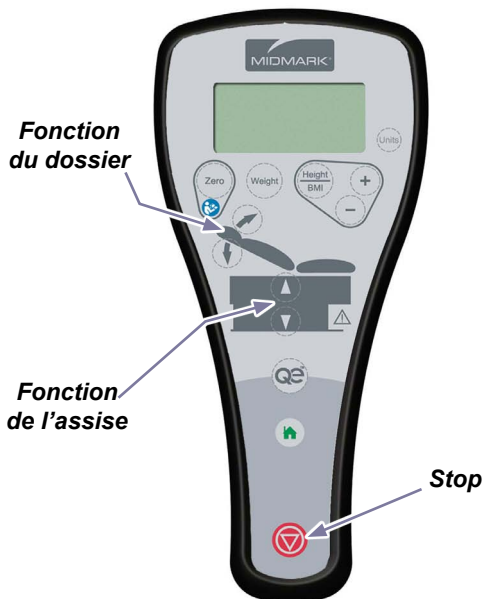
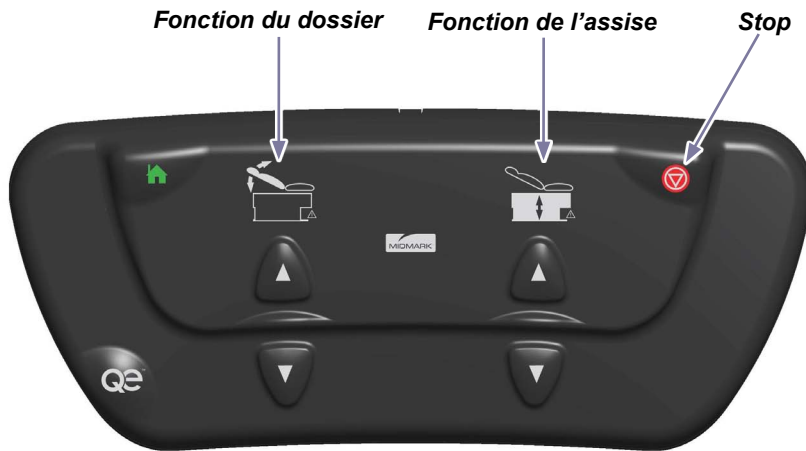


## Fonctions de l'assise/du dossier

### **Pour activer les fonctions de l'assise/du dossier...**

Maintenez appuyé le bouton fléché vers le haut ou vers le bas pour la fonction souhaitée.

Remarque : la table s'arrête automatiquement lorsqu'elle atteint sa limite maximale de relevage et d'abaissement.  
En cas de dysfonctionnement, appuyez sur le bouton Stop pour arrêter le mouvement.



### **Avertissement relatif à l'équipement**

Si le poids limite que peut supporter la table est dépassé, vous entendez un bip et la fonction est désactivée. Si le problème survient en charge normale, contactez votre technicien de maintenance.

## Fonction « Origine »

La fonction Origine abaisse automatiquement la table à environ 51 cm (20 in.).

**Pour activer la fonction Origine...**  
Enfoncez puis relâchez le bouton Origine.

*Remarque : en cas de dysfonctionnement, appuyez sur le bouton Stop pour arrêter le mouvement.*



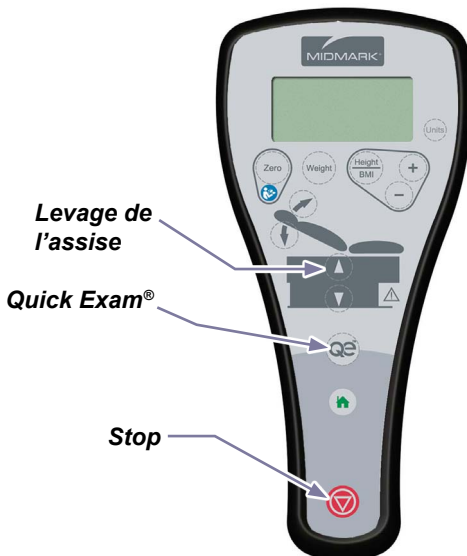
## Fonction Quick Exam®

La fonction Quick Exam® commande automatiquement la hauteur de l'assise à une position programmée.

### **Pour programmer la fonction Quick Exam®...**

- Appuyez sur le bouton fléché vers le haut (relevage de l'assise) pour placer la table à la position souhaitée.
- Appuyez simultanément sur les boutons Quick Exam® et Relevage de l'assise pendant trois secondes.

Remarque : vous entendrez un petit bruit lorsque la nouvelle position Quick Exam® est enregistrée.



### **Pour activer la fonction Quick Exam®...** Enfoncez puis relâchez le bouton Quick Exam®.

Remarque : en cas de dysfonctionnement, appuyez sur le bouton Stop pour arrêter le mouvement.



### **Avertissement relatif à l'équipement**

Si le poids limite que peut supporter la table est dépassé, vous entendez un bip et la fonction est désactivée. Si le problème survient en charge normale, contactez votre technicien de maintenance.



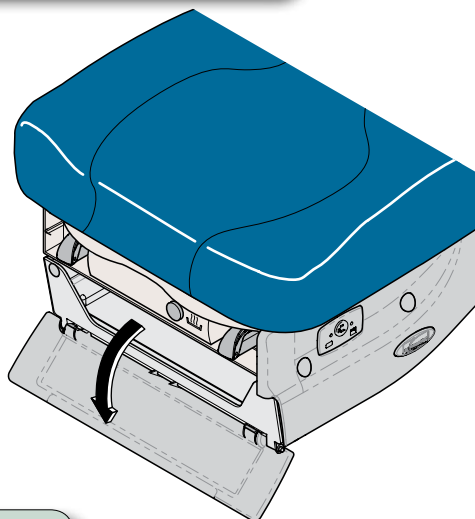
## Tiroir Exam Assistant®

**Pour utiliser le panneau avant du tiroir comme tablette...**  
Abaissez le panneau avant du tiroir pour relâcher le verrou magnétique.



### **Avertissement relatif à l'équipement**

La tablette supporte un poids maximal de 4,5 kg (10 lbs).

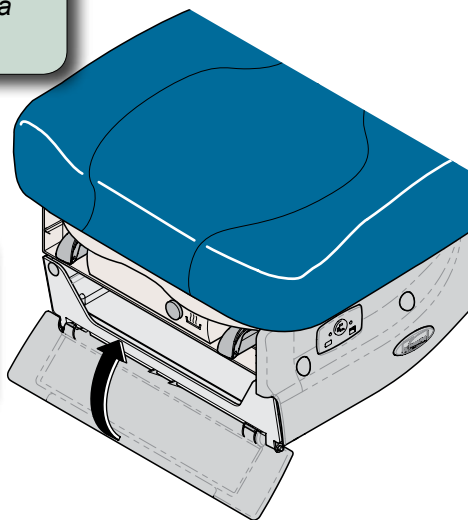


**Si le panneau avant du tiroir plie vers le bas...**  
Tirez le panneau avant du tiroir vers le haut jusqu'à ce qu'il s'enclenche en position horizontale.



### **Avertissement relatif à l'équipement**

Si le panneau avant du tiroir plie vers le bas, **ne faites pas fonctionner la table.**



MA8264I

## Rouleau de papier et sangle de maintien

Les ensembles de garnitures existent en deux largeurs : 71,1 cm (28 in.) (standard) et 81,3 cm (32 in.) (en option).  
Les rouleaux de papier de taille classique peuvent être stockés sous le dossier comme suit :

<u>Largeur de garn.</u>	<u>Taille rouleau de papier</u>	<u>Qté max.</u>
71,1 cm (28 in.)	53,3 cm de long x 7,6 cm de diamètre (21 in. x 3.0 in.)	4
71,1 cm (28 in.)	53,3 cm de long x 8,9 cm de diamètre (21 in. x 3.5 in.)	2
81,3 cm (32 in.)	70 cm de long x 7,6 cm de diamètre (24 in. x 3.0 in.)	2
81,3 cm (32 in.)	70 cm de long x 8,9 cm de diamètre (24 in. x 3.5 in.)	1

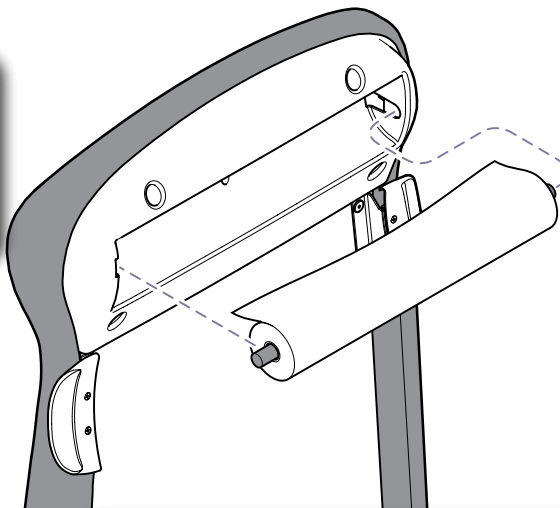


### Avertissement

Pour éviter toute blessure, ne pas placer la tête ou les extrémités sous la bande de déchirure du papier.

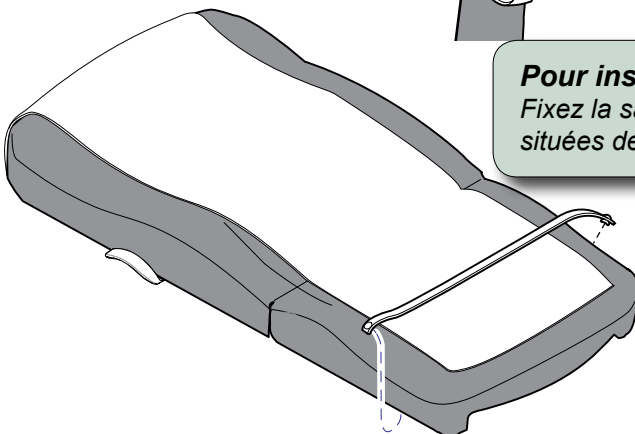
### Pour installer le rouleau de papier...

Insérez les extrémités de la tige dans les encoches sous l'extrémité tête de la garniture.



### Pour installer la sangle de maintien...

Fixez la sangle de maintien aux accroches situées de chaque côté de la table.



MA8018i

# Étriers

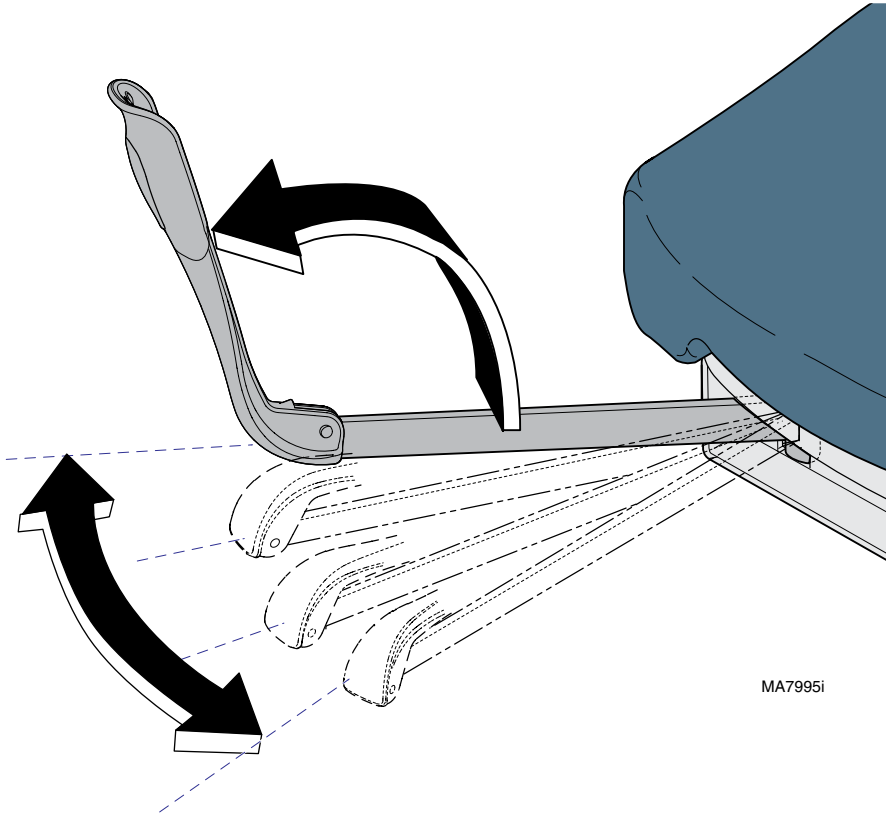


## Attention

Vérifiez que les étriers sont bien en place et bloqués avant de les utiliser.  
Les étriers ne peuvent pas supporter le poids du patient.

## Pour positionner les étriers...

- A) Tirez les étriers et dépliez-les.
- B) Soulevez légèrement les étriers, puis déplacez-les vers la droite ou la gauche.
- C) Relâchez l'étrier pour le bloquer dans la position souhaitée.

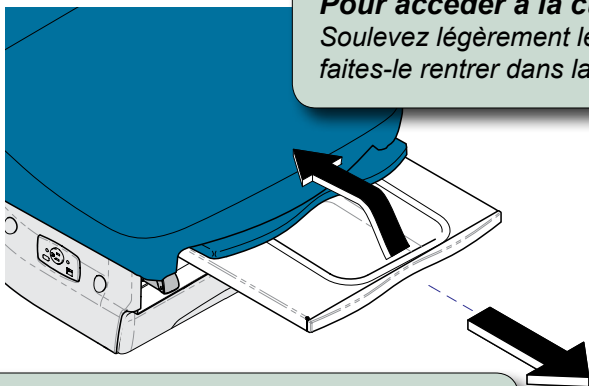


## Repose-pied et cuvette



### Attention

Le repose-pied n'est pas prévu pour supporter le poids du patient.



### Pour accéder à la cuvette...

Soulevez légèrement le coussinet du repose-pied, puis faites-le rentrer dans la table.

### Pour sortir le repose-pied...

Sortez le repose-pied jusqu'à la position désirée.

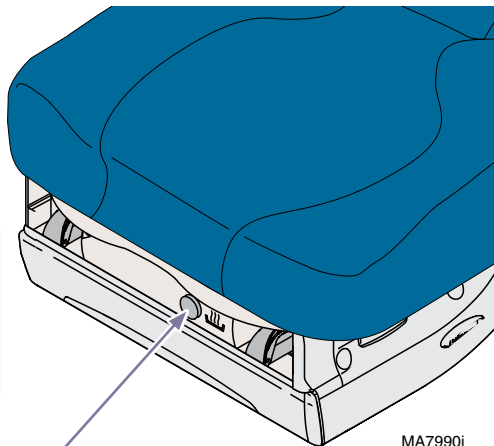
MA8265I

## Élément chauffant du tiroir

L'élément chauffant du tiroir maintient le contenu du tiroir à une température d'environ 37 °C (98 °F).

### Pour activer/désactiver l'élément chauffant du tiroir...

Enfoncez puis relâchez le bouton de l'élément chauffant du tiroir.  
(Le bouton s'éclaire lorsque l'élément chauffant est activé.)



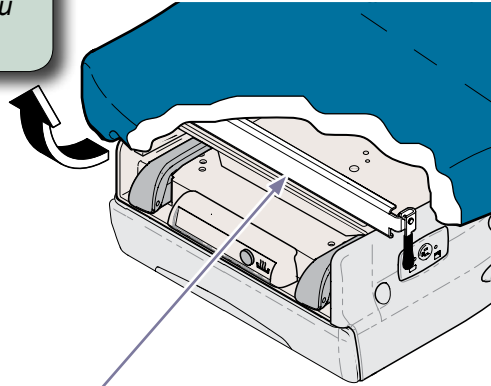
MA7990i

Bouton de l'élément  
chauffant du tiroir

## Surélévation du bassin

### **Pour élever l'assise...**

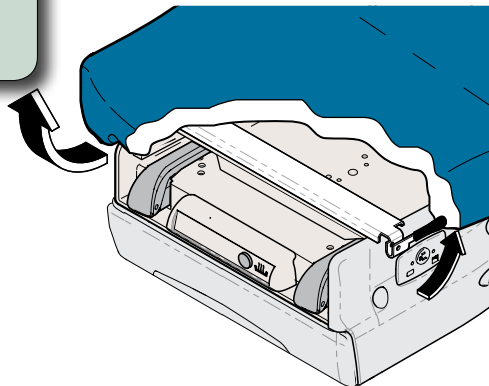
Relevez l'assise jusqu'à ce que le support du bassin s'encliquette en place.



**Support du bassin**

### **Pour remettre l'assise à plat...**

- A) Soulevez l'assise légèrement.
- B) Faites pivoter la poignée du support du bassin vers le haut.
- C) Rabaissez l'assise.



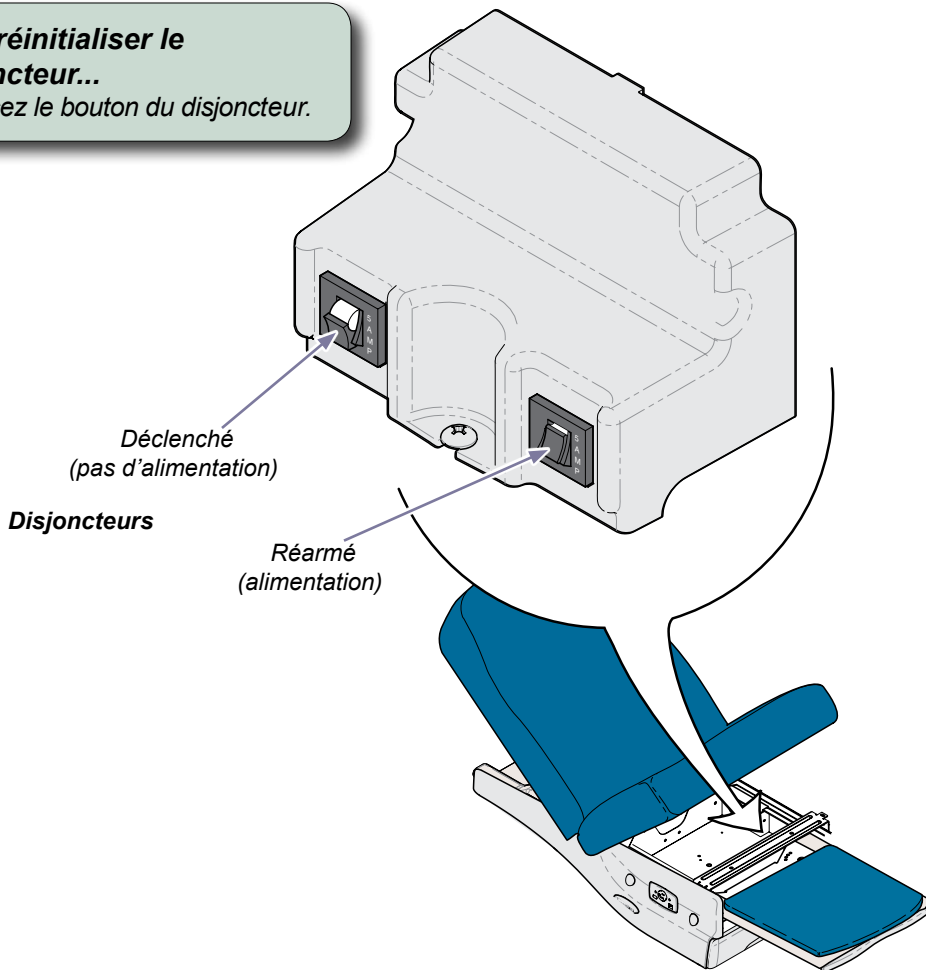
MA8266I

## Prises simplex

Les prises de chaque côté de la table permettent le branchement des accessoires utilisés lors des interventions. Il y a deux disjoncteurs sous l'assise. Si la charge maximale de la prise est dépassée, les disjoncteurs coupent l'alimentation.

Charge maximale.....115 V CA, 5 A

**Pour réinitialiser le disjoncteur...**  
*Enfoncez le bouton du disjoncteur.*



MA82671

# Fonctionnement de l'IQhub®

Des ports pour les connexions de données sont situés de chaque côté et sur le socle arrière de la table.

Ports 1, 2, 3 et 4 : connexions USB.

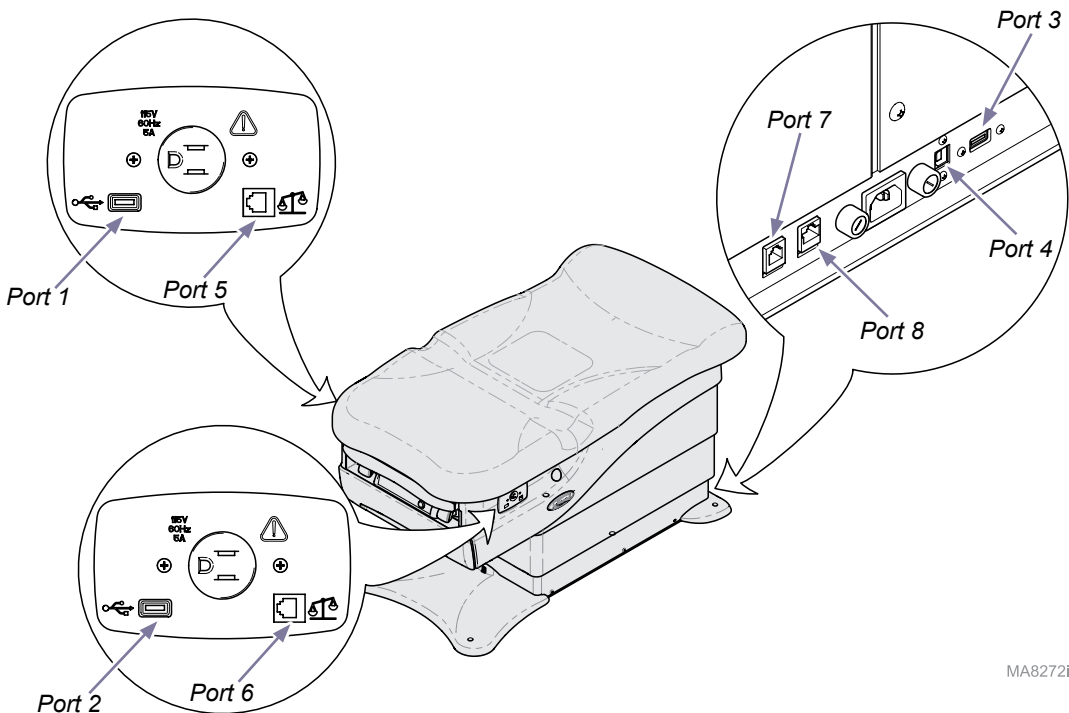
Ports 5, 6, et 7 : connexions pour les signes vitaux.

Port 8 : commande manuelle ou pédale câblée en option.



## AVERTISSEMENT

Le matériel informatique conforme à la norme CEI 60950 doit être placé en dehors de « l'environnement du patient ». Reportez-vous aux consignes de sécurité dans ce manuel.



MA8272i

# Fonctionnement de l'IQhub® – suite

## Connexions USB

Les quatre ports USB de la table fonctionnent ensemble comme un concentrateur USB à grande vitesse, pouvant connecter un maximum de trois périphériques USB à un ordinateur hôte à une vitesse allant jusqu'à 480 Mb/s.

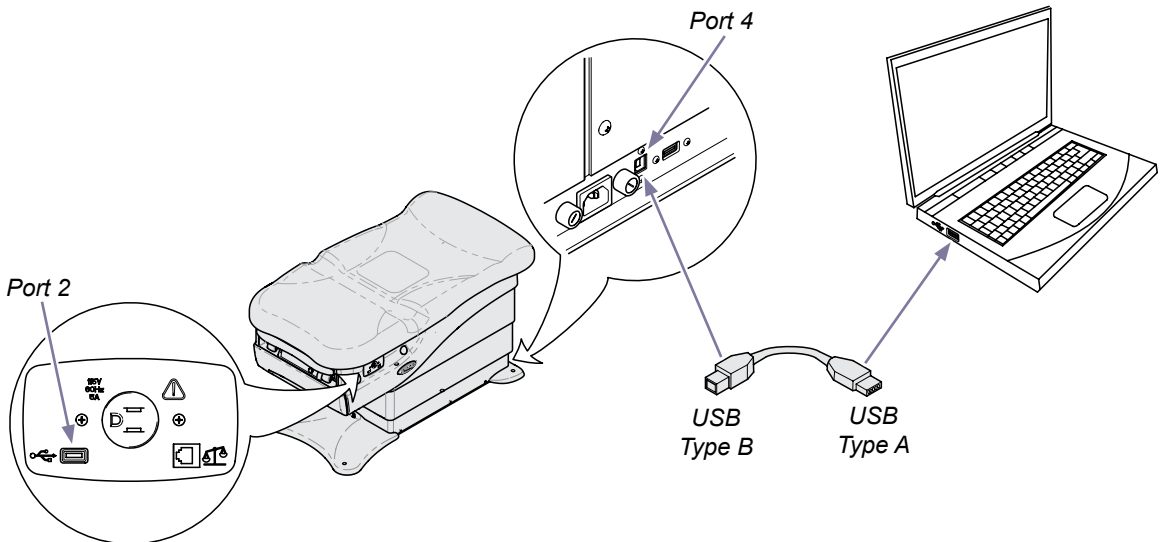
Dès que le concentrateur USB est connecté à l'ordinateur hôte, la balance numérique se connecte également. Ceci permet la transmission numérique du poids mesuré au logiciel pris en charge.

### Installation :

- À l'aide d'un câble USB standard\* (jusqu'à cinq mètres de long), reliez le port 4 situé à l'arrière de la table à l'ordinateur hôte. Vous pouvez également commander un câble USB standard auprès de Midmark (9A520001).
- Si un message s'affiche, [cliquez ici](http://www.midmark.com/technicallibrary/Link-PDFs/625.html) pour télécharger le pilote le plus récent depuis le site [www.midmark.com](http://www.midmark.com). (<http://www.midmark.com/technicallibrary/Link-PDFs/625.html>)
- Connectez d'autres périphériques USB aux ports 1, 2 et 3 selon le besoin. Vous pouvez utiliser des câbles USB de deux mètres de long maximum. Un maximum de trois périphériques supplémentaires peut être connecté simultanément.

### **Remarque**

*Les ports USB sont alimentés uniquement lorsqu'un ordinateur hôte est connecté au port 4.  
(Par exemple, les dispositifs fonctionnant sur piles ne se rechargeront pas via le port USB, sauf si un ordinateur hôte a préalablement été connecté.)*



\* Un câble USB standard est muni d'un connecteur de type A et d'un connecteur de type B.

Pour une performance optimale, utilisez des câbles USB totalement conformes aux spécifications USB actuelles.

MA9943i



## Fonctionnement de l'IQhub® – suite

### Connexions pour les signes vitaux

Les ports série situés sur la table permettent le branchement d'un dispositif de surveillance des signes vitaux. Ceci permet de saisir le poids du patient mesuré par la balance numérique et de le transmettre au dispositif de surveillance des signes vitaux qui l'affiche et l'enregistre.

Les dispositifs de surveillance des signes vitaux pris en charge sont :

- Midmark IQvitals®
- Welch Allyn® Spot Vital Signs® LXi \*

#### Installation :

Achetez le câble série correspondant à votre équipement :

- Câble série Midmark IQvitals® 1,8 m (6 foot), spiralé (9A478001).
- Câble série Midmark IQvitals® 4,6 m (15 foot), droit (9A478002).
- Câble série Midmark IQvitals® 9,1 m (30 foot), droit (9A478003).
- Câble série Midmark IQvitals® 15,2 m (50 foot), droit (9A478004).
- Câble série Welch Allyn® Spot Vital Signs® LXi, 1,8 m (6 foot), spiralé (9A479001).
- Câble série Welch Allyn® Spot Vital Signs® LXi, 4,6 m (15 foot), droit (9A479002).

Branchez une extrémité du câble série dans un port de connexion pour signes vitaux (ports 5, 6 ou 7), et l'autre au port correspondant sur le dispositif de surveillance des signes vitaux.

Le poids du patient sera automatiquement mesuré une fois le patient assis sur la table.

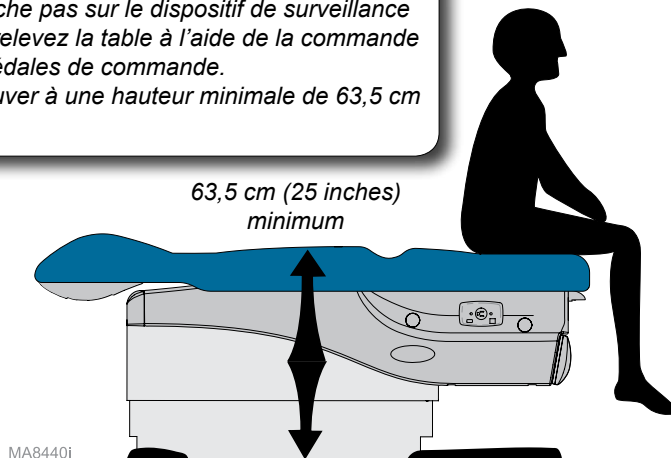
#### Remarque

*Avant de faire asseoir le patient sur la table d'examen, assurez-vous que la balance a été mise à zéro. Le non-respect de cette consigne peut affecter la pesée du patient.*

#### Remarque

*Si le poids ne s'affiche pas sur le dispositif de surveillance des signes vitaux, relevez la table à l'aide de la commande manuelle ou des pédales de commande.*

*La table doit se trouver à une hauteur minimale de 63,5 cm (25 inches).*



\* Welch Allyn® et Spot Vital Signs® sont des marques déposées de Welch Allyn, Inc.

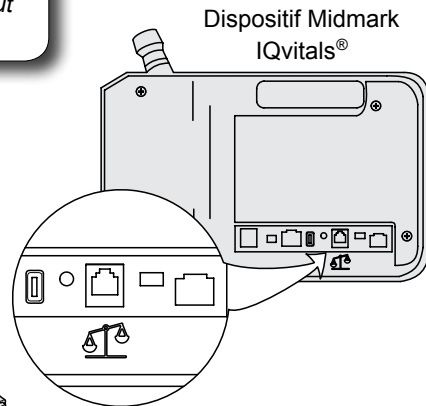
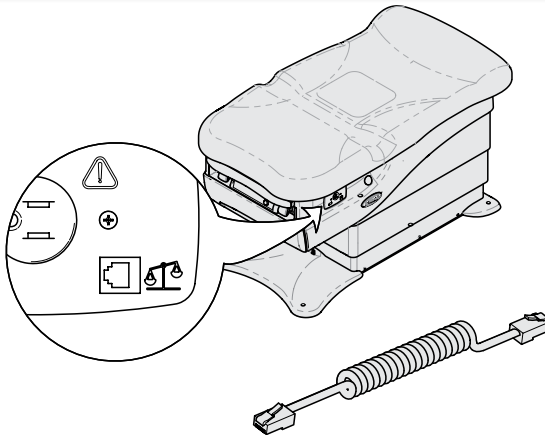
## Fonctionnement de l'IQhub® – suite

### Connexion de la table au dispositif de surveillance des signes vitaux

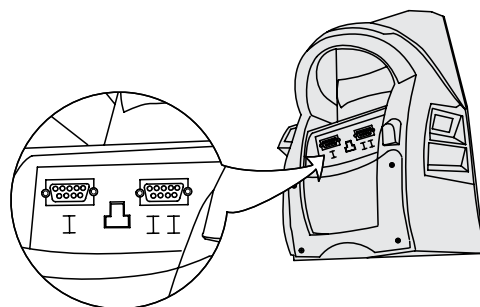
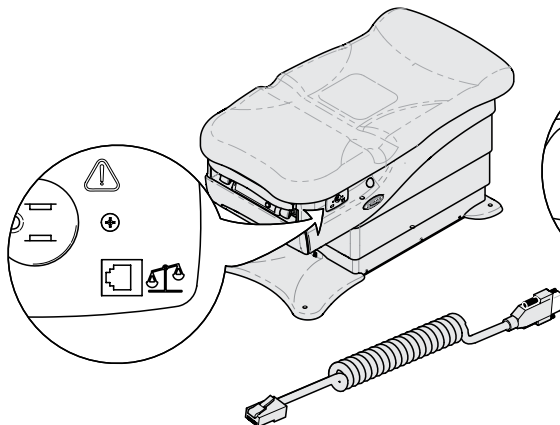
Le câble série peut être connecté à l'un des trois ports situés sur la table.

#### Remarque

Un seul dispositif de surveillance des signes vitaux peut être connecté à la fois.



MA84371



MA84391

# Entretien

## Service après-vente

### Remarque

*Vous devez préciser le numéro de modèle et le numéro de série lorsque vous contactez le service après-vente.*

Si une réparation est nécessaire, contactez votre revendeur Midmark agréé.

Pour contacter directement Midmark :

+1-937-526-3662

de 8 h à 17 h, du lundi au vendredi (heure normale de l'Est des États-Unis) [sauf jours fériés normaux]

## Nettoyage



### Avertissement relatif à l'équipement

*La garniture résiste à la plupart des taches d'origine médicale, mais risque d'être endommagée par les solvants et les teintures. Essuyez immédiatement tout liquide renversé sur la garniture.*

### Garniture

Nettoyez la garniture toutes les semaines avec un mélange de savon doux liquide et d'eau. Rincez à l'eau claire et séchez complètement afin d'éliminer les résidus de désinfectant.

Désinfectez la garniture avec une solution à base d'un volume d'eau de Javel ou de produits chlorés pour 10 volumes d'eau (10 %). Puis rincez à l'eau claire et séchez soigneusement. Voir les directives de désinfection et de stérilisation dans les centres de santé des centres pour le contrôle des maladies (CDC).

Pour minimiser les dommages provoqués par les résidus de nettoyants désinfectants, empêchez toute accumulation de désinfectant sur la garniture. Lorsque le temps de réaction reconnu s'est écoulé, ôtez et séchez tout excès de liquide restant sur la surface.

Votre produit est livré avec un manuel détaillé d'utilisation et d'entretien. Vous trouverez également toutes les informations utiles sur [www.midmark.com](http://www.midmark.com) à la rubrique Bibliothèque technique, au niveau de l'onglet Documents correspondant à votre produit.

### Surfaces en métal/en plastique peintes

Chaque semaine, essuyez les surfaces en métal et en plastique peintes de la table à l'aide d'un chiffon doux propre et d'un détergent doux. Cirez régulièrement ces surfaces avec une cire pour meubles afin de faciliter le nettoyage et de préserver le lustre des surfaces.

## Entretien préventif

Examinez périodiquement les zones suivantes :

- Le/les cordon(s) d'alimentation ne doit/doivent présenter aucune coupure ou autre dommage visible.
- Toutes les fixations doivent être en place et bien attachées.
- Tous les dispositifs mécaniques doivent fonctionner correctement.

Lubrifiez régulièrement la charnière du dossier afin de maintenir un fonctionnement silencieux et harmonieux (utilisez une huile légère pour machines).

Faites inspecter l'équipement tous les six mois par un technicien de maintenance agréé.

L'étalonnage périodique de la balance n'est pas nécessaire. Il est recommandé de vérifier la précision de la mesure de la balance en utilisant un poids de référence d'une valeur connue tous les six mois.

# Dépannage

Symptôme	Cause probable	Action corrective
Aucune fonction n'est opérationnelle.	Tension d'alimentation de l'établissement.	Branchez correctement le cordon d'alimentation. Réinitialisez le disjoncteur de l'établissement.
La table s'arrête et émet des bips.	Le poids du patient dépasse la limite maximale de 295 kg (650 lbs).	Informez le personnel que le poids maximal autorisé est de 295 kg (650 lbs).
Aucune alimentation au niveau des prises électriques de la table. Toutes les autres fonctions sont opérationnelles.	Le(s) disjoncteur(s) de la table est/sont déclenché(s).	Soulevez l'assise pour accéder au(x) disjoncteur(s), appuyez pour réinitialiser.
Lorsqu'un bouton de commande est enfoncé, ce contrôleur émet un seul bip. (Toutes les fonctions sont opérationnelles)	Piles faibles.	Remplacez les piles. ( <i>taille : AA</i> )
Lorsque le bouton Weight (poids) est enfoncé, le contrôleur affiche « Table Low » (Table basse).	Interruption temporaire de l'alimentation.	Abaissez la table au maximum.
La table ne bouge pas lorsque vous appuyez sur le bouton Quick Exam®, ou n'atteint pas la hauteur correcte.	La hauteur Quick Exam® peut être réglée par l'utilisateur et il peut être nécessaire de la reprogrammer.	Reportez-vous aux instructions Quick Exam® de ce manuel.

# Caractéristiques techniques

## Poids, dimensions, caractéristiques électriques

Tableau des caractéristiques	
<b>Poids du patient</b> ( <i>maximal</i> ) :	295 kg (650 lbs)
<b>Résolution de la balance :</b> <b>Précision de la balance :</b> 13,6 à 45,4 kg (30 - 100 lb) 45,4 à 136,1 kg (100 - 300 lb) 136,1 à 226,8 kg (300 - 500 lb) 226,8 à 294,8 kg (500 - 650 lb)	0,1 kg (0.2 lb) ± 0,1 kg (0.2 lb) ± 0,2 kg (0.4 lb) ± 0,3 kg (0.6 lb) ± 0,4 kg (0.8 lb)
<b>Rouleau de papier</b> ( <i>taille maximale</i> ) :	(Voir la section <i>Rouleau de papier et sangle de maintien</i> )
<b>Amplitude de mouvement et dimensions :</b>	(Voir la section <i>Amplitude de mouvement et dimensions</i> )
<b>Poids de la table :</b> <b>avec garniture</b> <b>avec emballage et palette</b> ( <i>sans garn.</i> ) <b>Garn. avec emballage</b> ( <i>expédiée séparément</i> )	216 kg (475 lbs) 224 kg (492 lbs) 20 kg (45 lbs)
<b>Longueur du cordon d'alimentation :</b>	244 cm (8 ft.)
<b>Alimentation électrique :</b>	(Voir le <i>Tableau de conformité à la réglementation</i> )
<b>Alimentation de la pédale/commande manuelle :</b>	14 V CA, SELV (Tension de sécurité extra-basse)
<b>Prises simplex</b> ( <i>charge maximale</i> )	115 V CA, 5 A, 50/60 Hz
<b>Fusibles :</b> <i>Fusibles de la prise CEI (2)</i> <i>F1 et F2 (sur la carte de circuit imprimé principale) :</i> <i>F3 (sur la carte de circuit imprimé principale) :</i> <i>F4 (sur la carte de circuit imprimé principale) :</i> <u>Modèles avec éléments chauffants du tiroir</u> <i>Fusibles du tableau de distribution (2)</i>	6,3A, 250 V, type T, 5 x 20 mm 10A, 250 V, type T, 5 x 20 mm 160mA, 250 V, type T, 5 x 20 mm 6,3A, 250 V, type T, 5 x 20 mm 800mA, 250 V, type T, 5 x 20 mm
<b>Cycle d'utilisation</b> <b>(cycle du moteur) :</b>	Fonctionnement par intermittence [30 secondes activé/5 minutes désactivé]
<b>Prises, élément chauffant du tiroir :</b>	Fonctionnement continu
<b>Classifications :</b>	Classe 1, partie appliquée sur le patient de type B
<b>Protection contre la pénétration de liquides :</b>	IPXO [Pédale de commande uniquement : IPX1]



### AVERTISSEMENT

L'équipement ne doit pas être utilisé à proximité d'un mélange anesthésique inflammable.

## Identification du modèle/Tableau de conformité

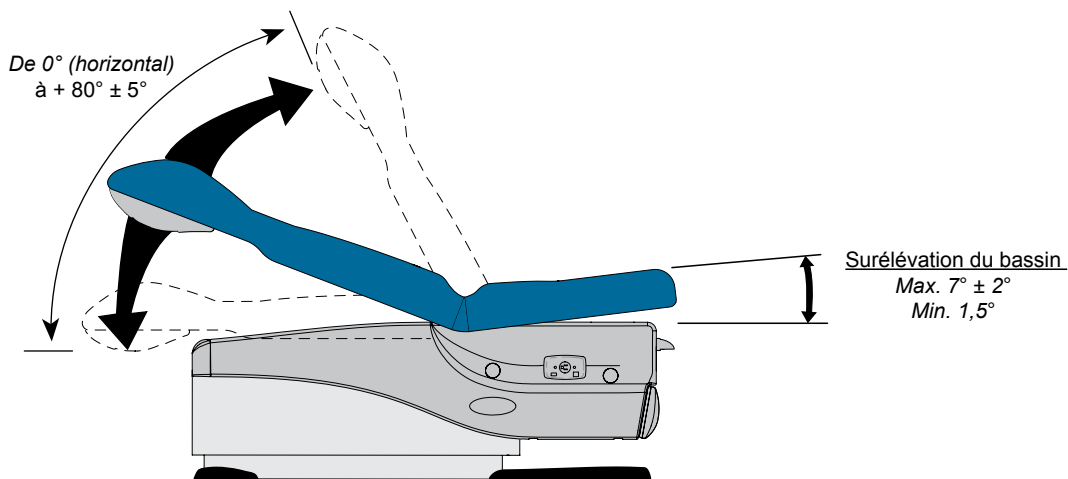
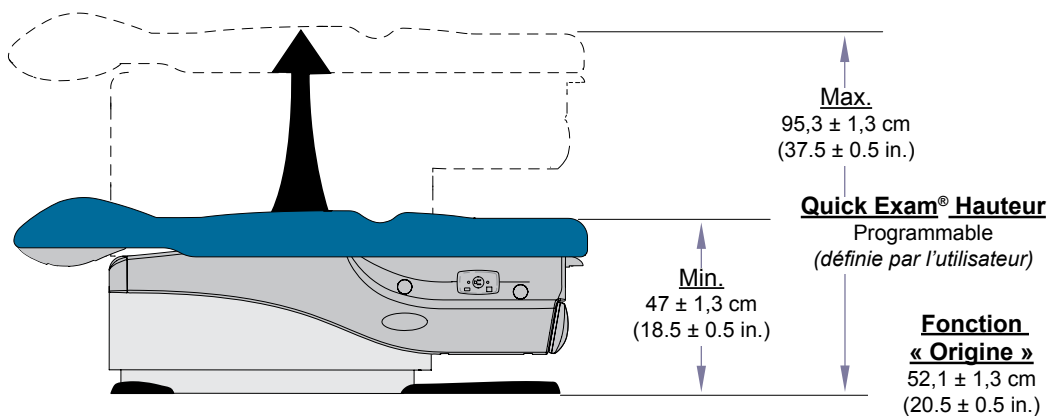
Modèle	Description	Conforme aux normes :				Alimentation électrique :		
		UL 60601-1	CAN/CSA 22.2, n° 601.1- M90	EN 60601-1-2 (CEM)	NFPA 99	V CA +/- 10 %	Inten- sité	Cycles (Hz)
625-004	Table double fonction (Assise/Dossier), avec prises de courant, surélévation du bassin, élément chauffant du tiroir et commandes sans fil, IQscale® et IQhub®.	•	•	•	•	115	12	50/60

Conformité au code des incendies :

Toutes les garnitures sont conformes aux normes du California Bureau of Home Furnishing Bulletin technique 117 et du California Code of Regulations, Sect. 93120-93120.12, Titre 17.

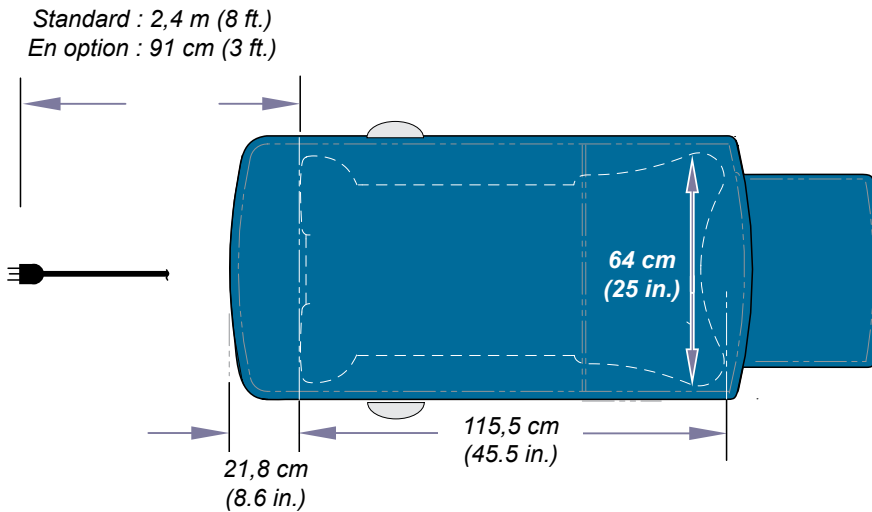
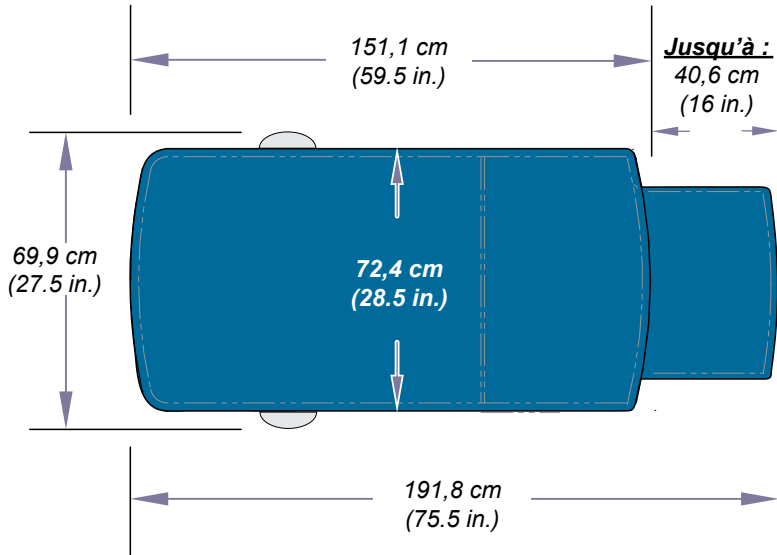
Une garniture en option est disponible, elle est conforme aux normes du California Bureau of Home Furnishing Bulletin technique 133.

## Amplitude de mouvement et dimensions



MA82681

## Amplitude de mouvement et dimensions (suite)



MA8369i



# Renseignements sur la garantie

CADRE DE GARANTIE Midmark Corporation (« Midmark ») s'engage auprès de l'acquéreur initial à réparer ou à remplacer, au gré de Midmark, les produits médicaux locaux et internationaux fabriqués par Midmark (hormis les composants non garantis en vertu des « Exclusions ») qui sont défectueux au niveau du matériel ou de la qualité d'exécution dans des conditions normales d'utilisation et de service. Le seul recours admissible aux termes de la présente garantie limitée est la réparation ou le remplacement des composants concernés, au gré de Midmark. La présente garantie limitée ne s'applique qu'aux défauts signalés à Midmark durant la période de garantie applicable et dont Midmark détermine après examen qu'ils existent. La présente garantie s'étend au seul acquéreur initial d'un produit et n'est ni transférable, ni cessible. Des composants ou produits de remplacement peuvent être utilisés, ou encore des composants ou produits rénovés, à condition qu'ils présentent une qualité et des spécifications identiques à celles des composants ou produits neufs.

Midmark s'engage auprès de l'acquéreur initial à réparer ou remplacer les logiciels contenus dans les produits fabriqués par Midmark (hormis ceux non garantis en vertu des « Exclusions ») pendant la période de garantie applicable si : (1) le support sur lequel le logiciel est fourni présente des défauts matériels ou d'exécution dans des conditions normales d'utilisation ; ou (2) le logiciel n'est pas fondamentalement conforme aux spécifications annoncées.

**PÉRIODE DE GARANTIE APPLICABLE** La période de garantie applicable est d'un (1) an pour tous les produits et composants couverts par la garantie, à compter de la date de facturation à l'acheteur au détail initial du produit.

**OBTENTION DU SERVICE DE GARANTIE** Le service de garantie doit être mis en œuvre par Midmark ou un distributeur agréé de la ligne de produits de Midmark pour laquelle le service de garantie est requis. Les demandes ou questions liées au service de garantie Midmark peuvent être adressées par courrier électronique sur [www.midmark.com](http://www.midmark.com) ou par téléphone au +1-937-526-3662 ou par courrier à Midmark Corporation, 60 Vista Drive, Versailles, Ohio 45380. L'acquéreur a l'obligation de prendre ses dispositions auprès de Midmark ou de tout revendeur agréé pour mettre en place un service de garantie, service qui est à la charge de l'acquéreur. L'acquéreur est également dans l'obligation de se conformer aux instructions du service de garantie fourni par Midmark ou son distributeur agréé. L'acquéreur doit fournir à Midmark les renseignements relatifs à l'enregistrement de la garantie dans les trente (30) jours consécutifs à l'achat afin de pouvoir jouir de la garantie.

**EXCLUSIONS** : Midmark ne peut être tenu pour responsable des cas suivants, qui ne sont pas couverts par la garantie limitée :

- (1) les malfaçons, dommages ou autres conditions provoquées, en tout ou en partie, par une utilisation abusive ou incorrecte, une négligence, une modification, un accident, des dommages subis pendant le transport, une négligence dans l'entreposage, une altération ou une demande de réparation ou de remplacement hors délais ;
- (2) les produits qui ne sont pas installés, utilisés, nettoyés et entretenus correctement tel qu'exigé ou recommandé dans les guides « Installation » ou « Installation/Fonctionnement » de Midmark pour le produit concerné, y compris les conditions environnementales structurelles et opérationnelles et les exigences électriques ;
- (3) les produits considérés comme étant de nature consommable ou stérile ;
- (4) les accessoires ou pièces n'étant pas fabriqués par Midmark ;
- (5) les frais appliqués par quiconque pour des réglages, des réparations, des pièces de remplacement, l'installation ou toute autre tâche accomplie sur ou en rapport avec lesdits produits, qui ne sont pas expressément autorisés au préalable et par écrit par Midmark ;
- (6) les frais d'entretien et de nettoyage ordinaires ; et
- (7) les représentations et garanties données par toute autre personne ou entité que Midmark.
- (8) la correspondance de couleur, de grain ou de texture, hormis selon les normes commerciales acceptables ;
- (9) les changements de couleur causés par la lumière naturelle ou artificielle ;
- (10) les produits de fabrication sur mesure ;
- (11) les altérations ou modifications au produit par toute personne ou entité autre que Midmark ; et
- (12) les produits qui seraient sinon couverts par cette garantie limitée, mais qui ont été acquis : (i) auprès d'une personne ou d'un organisme autre que Midmark ou l'un de ses revendeurs agréés ; ou (ii) auprès d'un revendeur Midmark non autorisé à vendre le produit en cause sur le territoire géographique où se trouve l'acheteur ou non autorisé à vendre le produit en cause sur le marché médical.

**LOGICIEL ; EN LIEN AVEC UN LOGICIEL QUI EST UN PRODUIT OU UN COMPOSANT D'UN PRODUIT, MIDMARK NE GARANTIT PAS QUE LE LOGICIEL : (1) EST EXEMPT D'ERREURS ; (2) PEUT ÊTRE UTILISÉ SANS PROBLÈME OU INTERRUPTION ; OU (3) EST EXEMPT DE VULNÉRABILITÉS AUX INTRUSIONS OU ATTAQUES DE VIRUS OU AUTRES PROCÉDÉS.**

**RECOURS EXCLUSIF ; AVIS DE NON-RESPONSABILITÉ POUR LES DOMMAGES INDIRECTS ; L'UNIQUE OBLIGATION DE MIDMARK DANS LE CADRE DE CETTE GARANTIE LIMITÉE EST LA RÉPARATION OU LE REMPLACEMENT DES PIÈCES DÉFECTUEUSES. MIDMARK NE PEUT ÊTRE TENU POUR RESPONSABLE ET DÉCLINE PAR LA PRÉSENTE TOUTE RESPONSABILITÉ POUR TOUT RETARD OU DOMMAGE DIRECT, PARTICULIER, INDIRECT, ACCIDENTEL, EXEMPLAIRE OU CONSÉCUTIF, Y COMPRIS, SANS S'Y LIMITER, LES DOMMAGES RELATIFS À UNE PERTE DE BÉNÉFICE OU DE REVENU, UNE PERTE D'USAGE, UNE PERTE DE DONNÉES, UN TEMPS D'INDISPONIBILITÉ, UNE COUVERTURE ET LES SALAIRES, PAIEMENTS ET AVANTAGES SOCIAUX D'EMPLOYÉS OU D'ENTREPRENEURS INDÉPENDANTS. CETTE EXCLUSION SURVIVRA À TOUT MANQUEMENT OU MANQUEMENT ALLÉGUÉ AU BUT ESSENTIEL DE CETTE GARANTIE LIMITÉE OU À SES RECOURS PRÉVUS. EXCLUSION DE GARANTIE : CETTE GARANTIE EST LA SEULE GARANTIE DE MIDMARK ET REMPLACE TOUTES LES AUTRES GARANTIES EXPLICITES OU IMPLICITES. MIDMARK N'ACCORDE AUCUNE GARANTIE IMPLICITE D'AUCUNE SORTE, Y COMPRIS LES GARANTIES IMPLICITES DE COMMERCIALISATION OU D'ADAPTATION POUR UNE UTILISATION PARTICULIÈRE. CETTE GARANTIE EST LIMITÉE À LA RÉPARATION OU AU REMPLACEMENT DE PIÈCES DÉFECTUEUSES.**

**PRESCRIPTION** Aucune action ne peut être portée contre Midmark pour violation de la présente garantie limitée, d'une garantie implicite, le cas échéant, ou pour toute autre revendication découlant de ou relative aux produits, plus de quatre-vingt-dix (90) jours après expiration de la période de garantie limitée.

**AUCUNE AUTORISATION** Aucune personne ou société n'est autorisée à créer ou approuver d'autres obligations ou responsabilités pour Midmark en rapport avec les produits.

**Remarques :**

**Remarques :**

**Midmark Corporation**

60 Vista Drive

Versailles, OH 45380 États-Unis

1-800-643-6275

+1-937-526-3662



Because we care.