



LED Retrofit Kit (Ceiling Mount) Installation [002-1534-00]

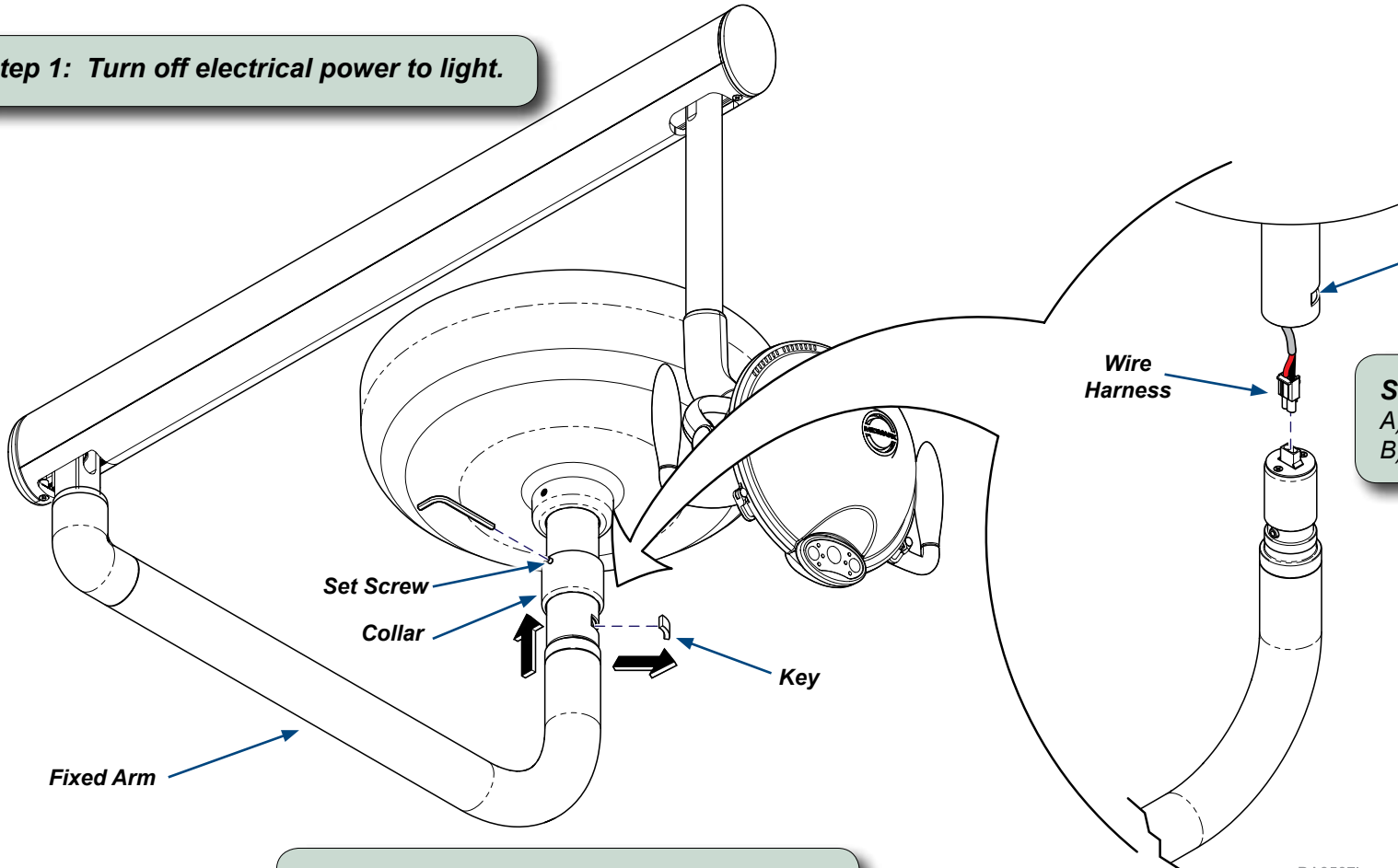
Applies to Models:
153637 (-001)

Language of origin: English

Note

Midmark recommends two installers when performing this procedure.

Step 1: Turn off electrical power to light.



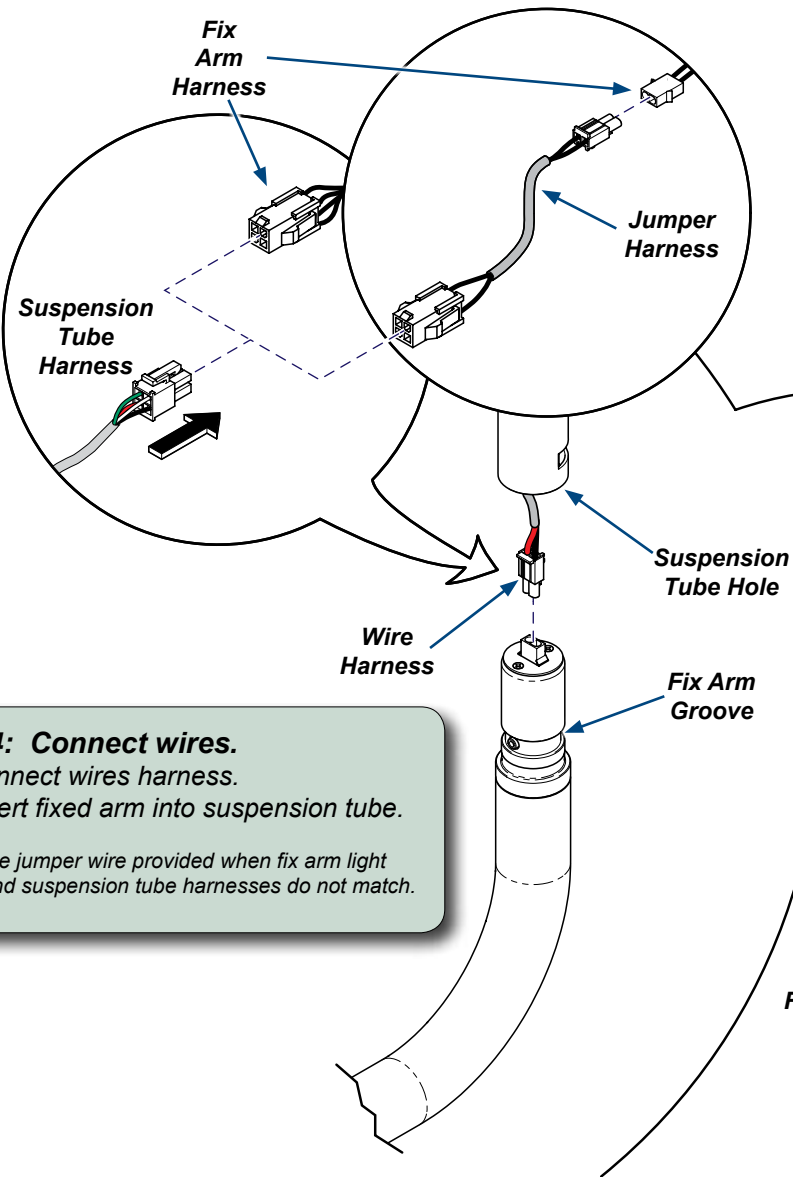
Step 3: Disconnect wires.

- A) Lower Halogen light arms.
- B) Disconnect wire harness.

Step 2: Remove Halogen Light.

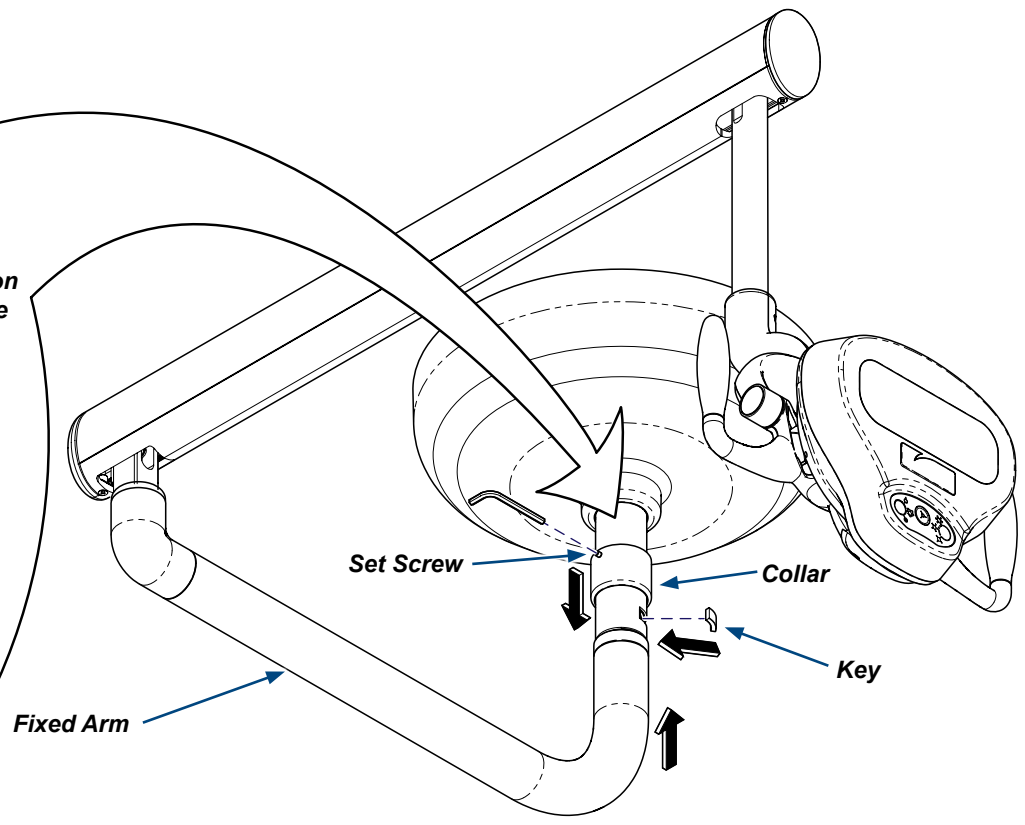
- A) Loosen set screw to slide collar up as shown.
- B) Push fixed arm up to access key.
- C) Remove key thru suspension tube hole.

DA35071



Step 4: Connect wires.
 A) Connect wires harness.
 B) Insert fixed arm into suspension tube.
 Note: Use jumper wire provided when fix arm light and suspension tube harnesses do not match.

Step 5: Installation of LED Light.
 A) Push fixed arm groove to line up with suspension tube hole.
 B) Insert key thru suspension tube hole.
 C) Loosen set screw to slide collar down.
 D) Tighten set screw to secure light.



Step 6: Turn on electrical power to light.

DA3508i

TP200 Rev. A