

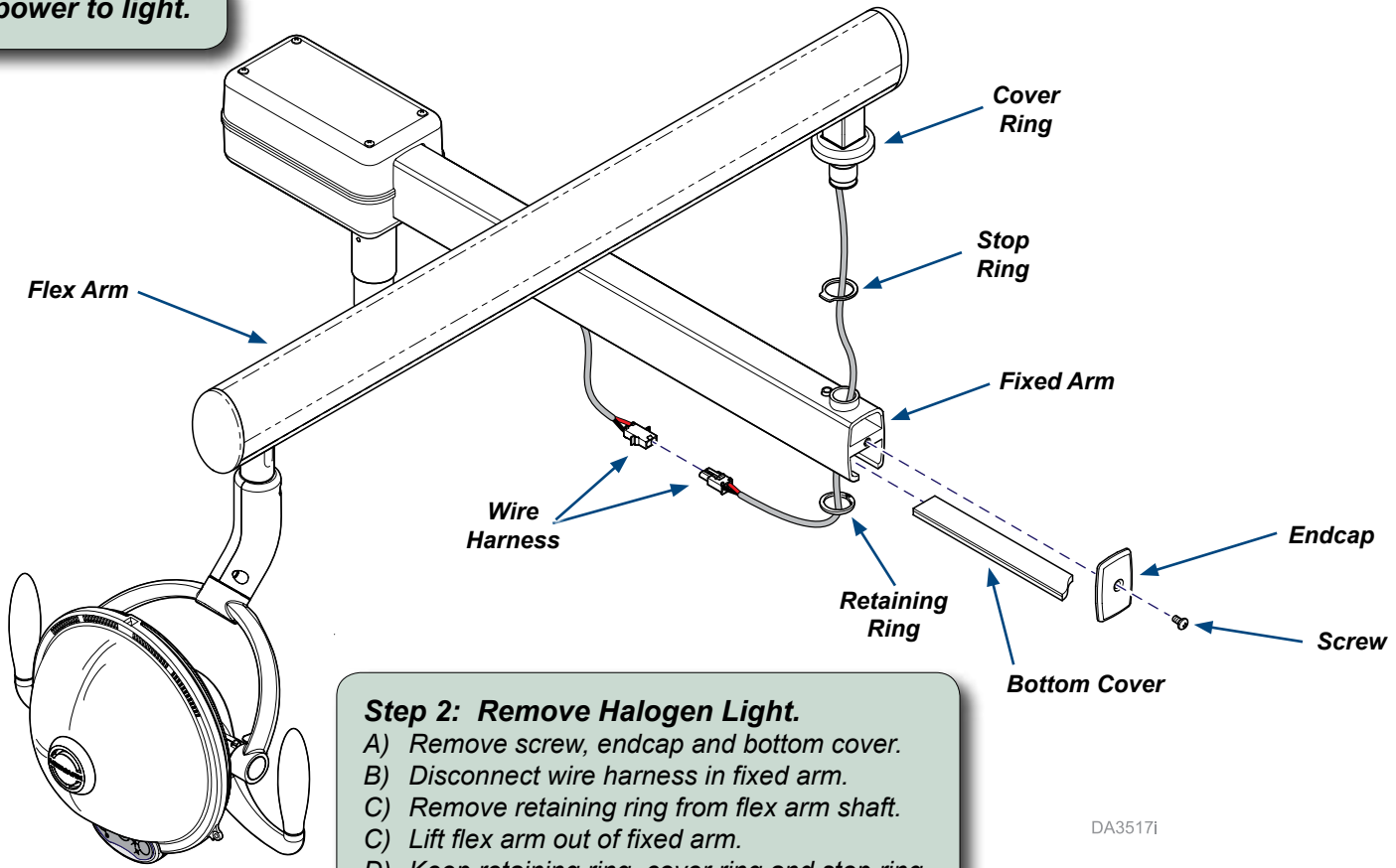


LED Retrofit Kit (Universal Mount) Installation [002-1536-00]

Applies to Models:
153639 (-001)
Language of origin: English

Note
Midmark recommends two installers when performing this procedure.

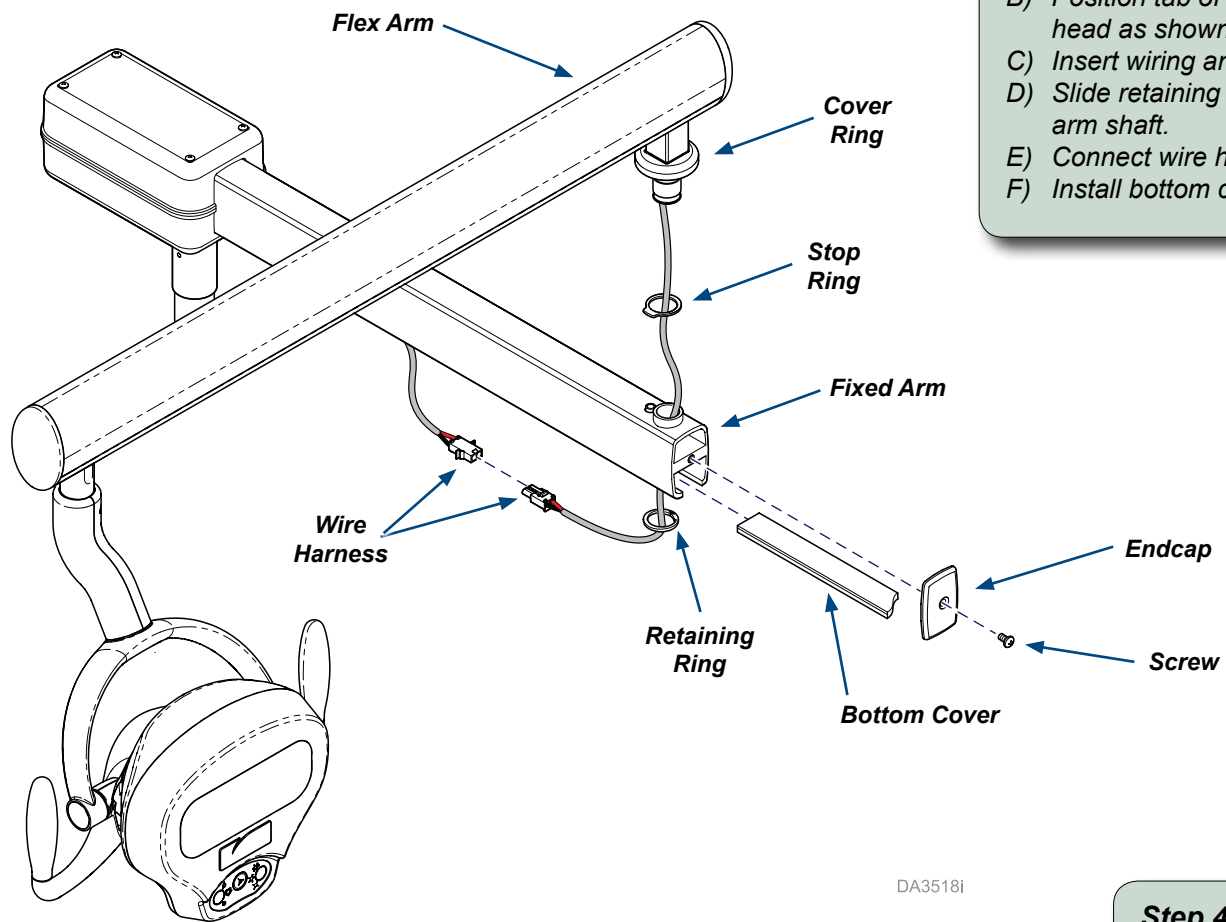
Step 1: Turn off electrical power to light.



Step 2: Remove Halogen Light.
A) Remove screw, endcap and bottom cover.
B) Disconnect wire harness in fixed arm.
C) Remove retaining ring from flex arm shaft.
D) Lift flex arm out of fixed arm.
E) Keep retaining ring, cover ring and stop ring.

DA3517i

TP200 Rev. A



Step 3: Installation of NEW Flex Arm.

- A) Install cover ring and stop ring over wire harness onto flex arm.
- B) Position tab of stop ring in line with flex arm, facing light head as shown.
- C) Insert wiring and flex arm shaft into fixed arm assembly.
- D) Slide retaining ring over wire harness and install onto flex arm shaft.
- E) Connect wire harnesses.
- F) Install bottom cover and end cap with screw.

DA3518i

Step 4: Turn on electrical power to light.