

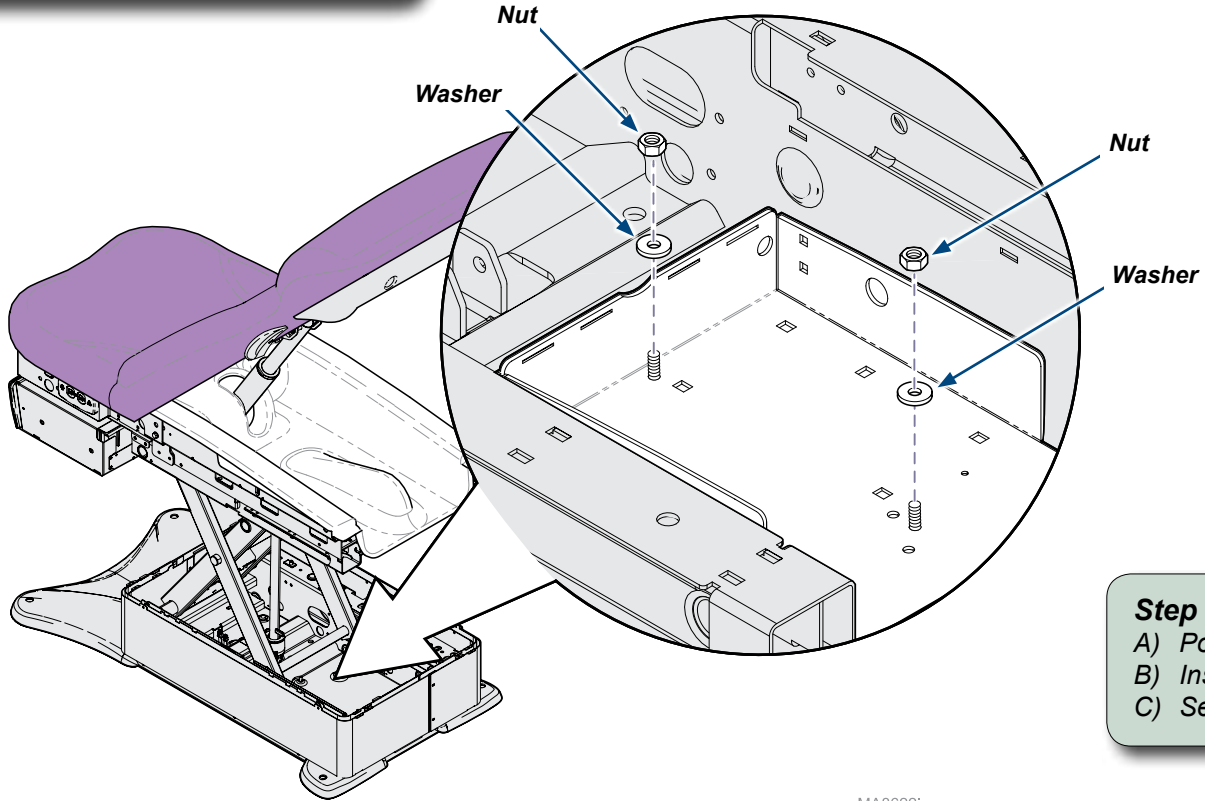
# Control Panel Housing Kit [002-1394-00]

**Applies to Models:**  
 222 / 223 (all)  
 622 / 623 (all)  
 625 (all)

**Special Tools:**  
 none

Language of origin: English

**Step 1: Remove Control Panel Housing.**  
 A) Remove two nuts.  
 B) Lift control panel housing out of table base.



**Note**  
 Install washers (supplied with kit) on units prior to serial numbers...  
 V1301103 for 222/223 models.  
 V1302195 for 622/623 models.  
 V1320562 for 625 models.

**Step 2: Install Control Panel Housing.**  
 A) Position control panel housing in table base.  
 B) Install two washers (see note).  
 C) Secure control panel housing with two nuts.

MA8622i

TP200 Rev. A