



Delivery System Compatibility Kit [002-1618-00]

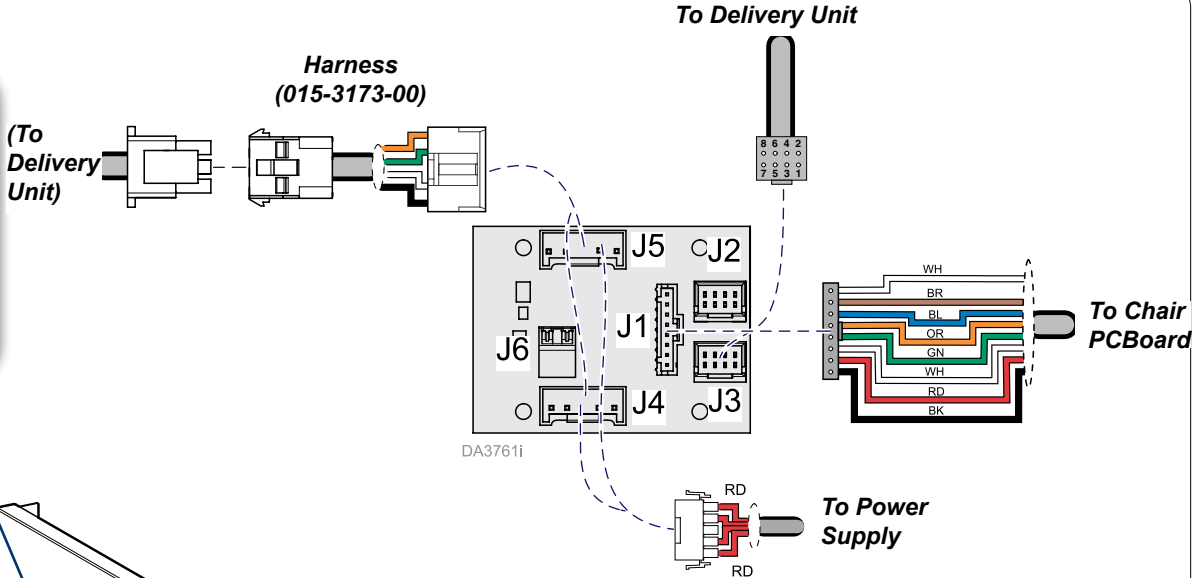
- Components:**
 Harness 4
 PCBoard 1
- Special Tools:**
 Wire Strippers
 Small Screwdriver

Note
 Applies to Procenter Delivery Systems (delivery unit, assistant's unit, and cuspidor) installed on Ultra-series chairs. Pages 1 - 3 only for Ultra-series chair with S/N after V1314209 and Procenter Units with S/N before V1314361. Pages 4 - 6 only for Ultra-series chair with S/N before V1314209 and Procenter Units with S/N after V1314361.

Delivery Unit - LR / Console

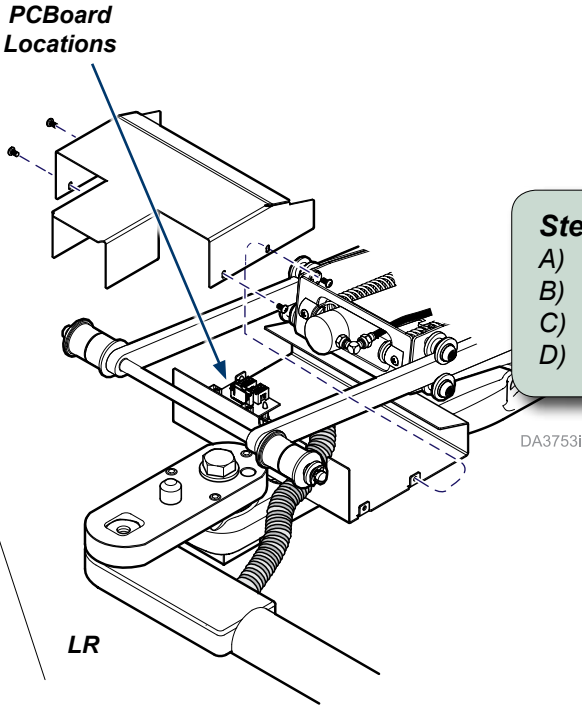
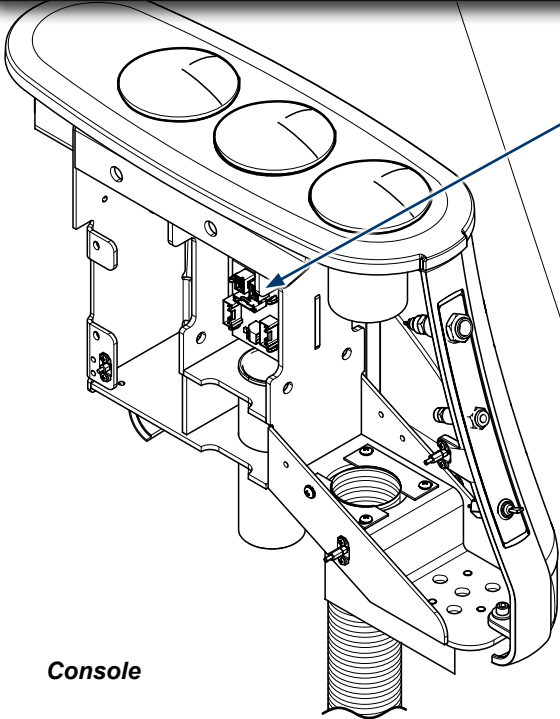
WARNING
 Always disconnect the power source before removing any covers. Failure to do so may result in personal injury.

Step 1: Remove PC Board.
 A) Disconnect power source.
 B) Remove cover(s) (and screws for LR mounted).
 C) Disconnect wire connections and remove PC Board.



Step 2: Wire Connections.
 A) Install new PC Board.
 B) Connect wiring as shown. Connect harness 015-3173-00.
 C) Secure any loose wires.
 D) Install covers.

Step 3: Finalize installation.
 A) Connect power source.
 B) Verify operation.



TP200 Rev. A

Assistant's Unit - LR / Console



WARNING

Always disconnect the power source before removing any covers. Failure to do so may result in personal injury.

Step 1: Remove PC Board.

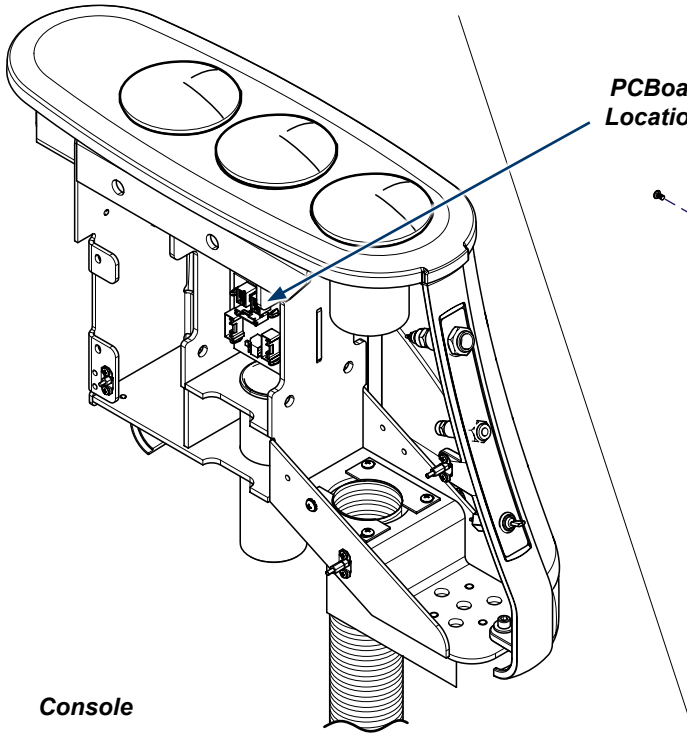
- A) Disconnect power source.
- B) Remove cover(s) (and screws for LR mounted).
- C) Disconnect wire connections and remove PC Board.

Step 2: Install PC Board.

- A) Install new PC Board.

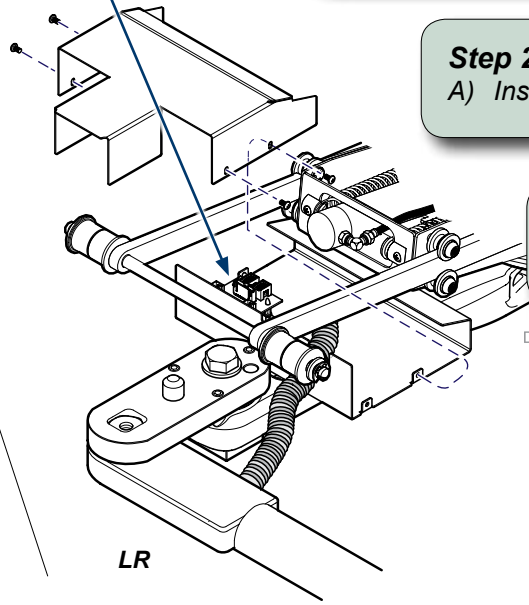
Step 3: Install Assistant's Unit.

- A) Follow installation instructions included with the Assistant's unit.



Console

PCBoard Locations



LR

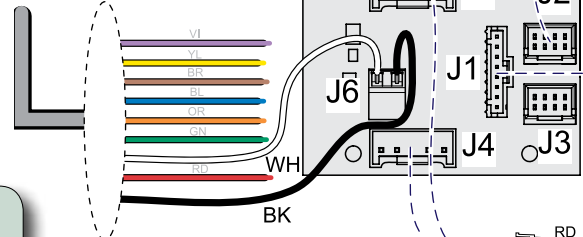
DA3753i

Note: For LR, route cables through chair to PC Board.

Step 4: Wire Connections.

- A) Connect wiring to PC Board as shown.
- B) Secure any loose wires.
- C) Install covers.

To Assistant's Unit

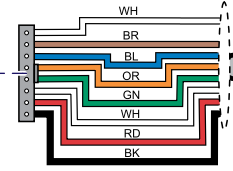


DA3754i

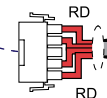
To Assistant's Unit



To Chair PCBoard



To Power Supply



Step 5: Finalize installation.

- A) Connect power source.
- B) Verify operation.

TP200 Rev. A

For Cuspidor (Rear) Only

Note

For console cuspidor, follow installation instructions included with the cuspidor.

Step 1: Remove covers.

A) Remove any covers to access current harness connection.

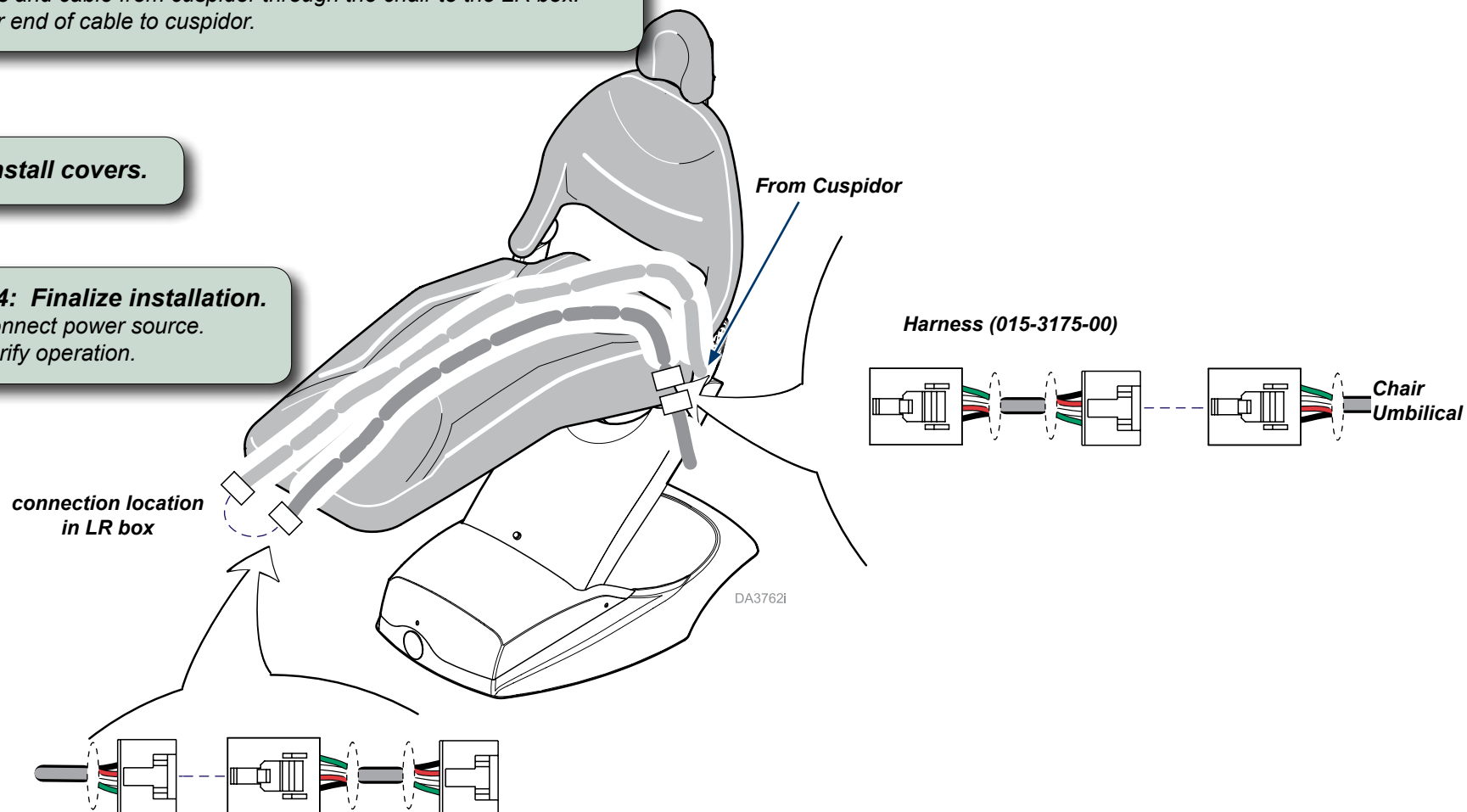
Step 2: Install harness.

- A) Connect harness 015-3175-00 at the back of the chair to the chair umbilical.
- B) Route harness and cable from cuspidor through the chair to the LR box.
- C) Connect other end of cable to cuspidor.

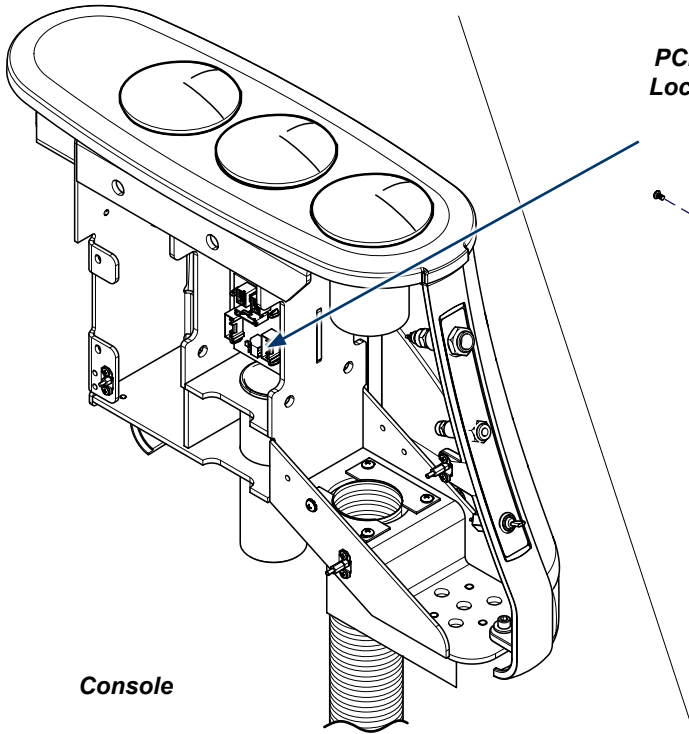
Step 3: Install covers.

Step 4: Finalize installation.

- A) Connect power source.
- B) Verify operation.



Delivery Unit - LR / Console



PCBoard Locations



WARNING

Always disconnect the power source before removing any covers. Failure to do so may result in personal injury.

Step 1: Remove PC Board.

- A) Disconnect power source.
- B) Remove cover(s) (and screws for LR mounted).
- C) Disconnect wire connections and remove PC Board.

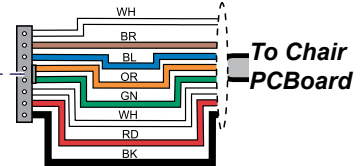
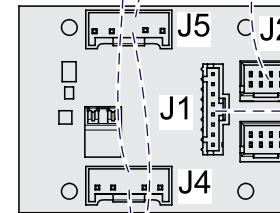
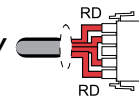
Console

LR

DA3753i

To Delivery Unit

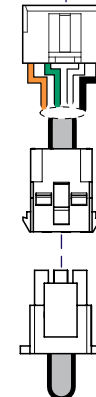
To Delivery Unit



To Chair PCBoard

DA3756i

Harness (015-3173-00)



To Power Supply

To Chair Umbilical

Step 2: Wire Connections.

- A) Install new PC Board.
- B) Connect wiring as shown. Connect harness 015-3173-00.
- C) Secure any loose wires.
- D) Install covers.

Step 3: Finalize installation.

- A) Connect power source.
- B) Verify operation.

Assistant's Unit - LR / console

Step 1 - 3: Remove/Install PC Board and Install Assistant's Unit.

A) Complete Steps 1 - 3 from previous "Assistant's Unit - LR / Console" page.

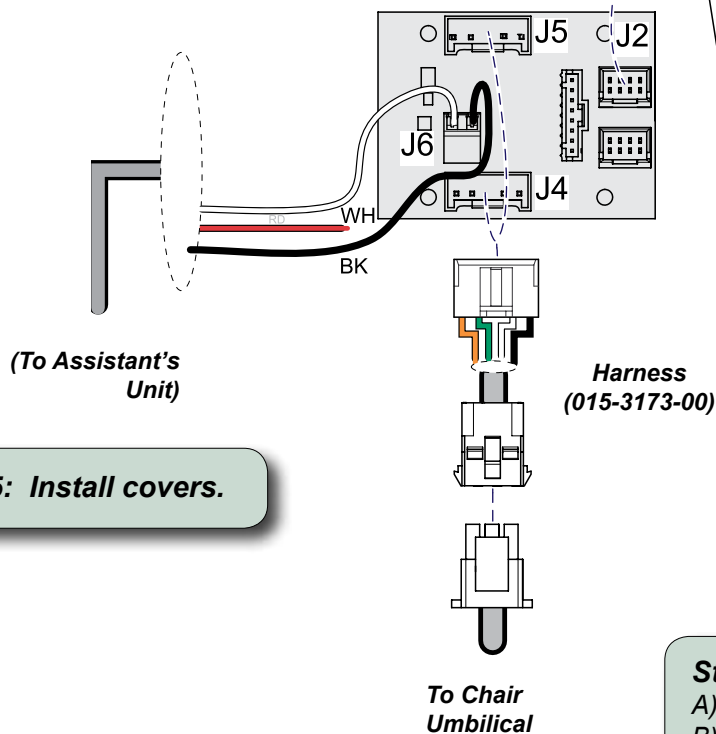
Step 4b: Install harnesses.

- Connect harness 015-3174-00 to assistant's umbilical.
- Connect harness 015-2568-00 to assistant's umbilical.
- Route both cables through chair to LR hub or console area.
- Connect wiring as shown.
- Connect harness 015-3173-00 to chair umbilical and attach to PCB as shown.

Step 4a: Install harnesses.

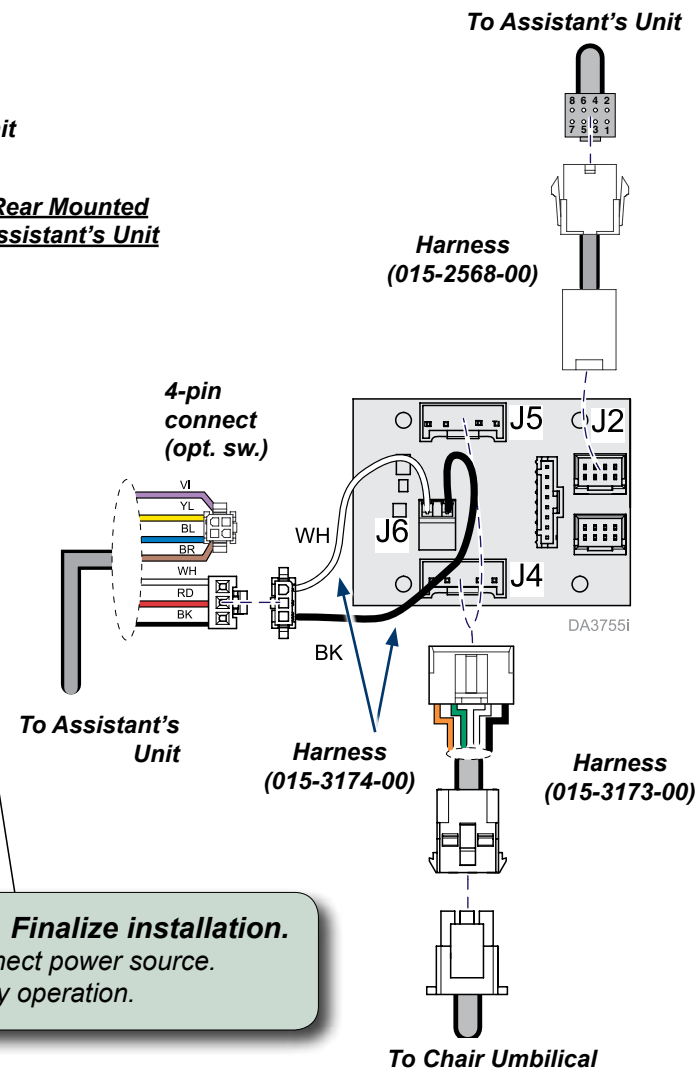
- Connect black and white wires to J6 on PC Board as shown.
- Connect harness 015-3173-00 to chair umbilical and attach to PCB as shown.

Console Mounted Assistant's Unit



Step 5: Install covers.

Rear Mounted Assistant's Unit



Step 6: Finalize installation.

- Connect power source.
- Verify operation.

For Cuspidor (Rear) Only

Note

For console cuspidor, follow installation instructions included with the cuspidor.

Step 1: Remove covers.

A) Remove any covers to access current harness connection.

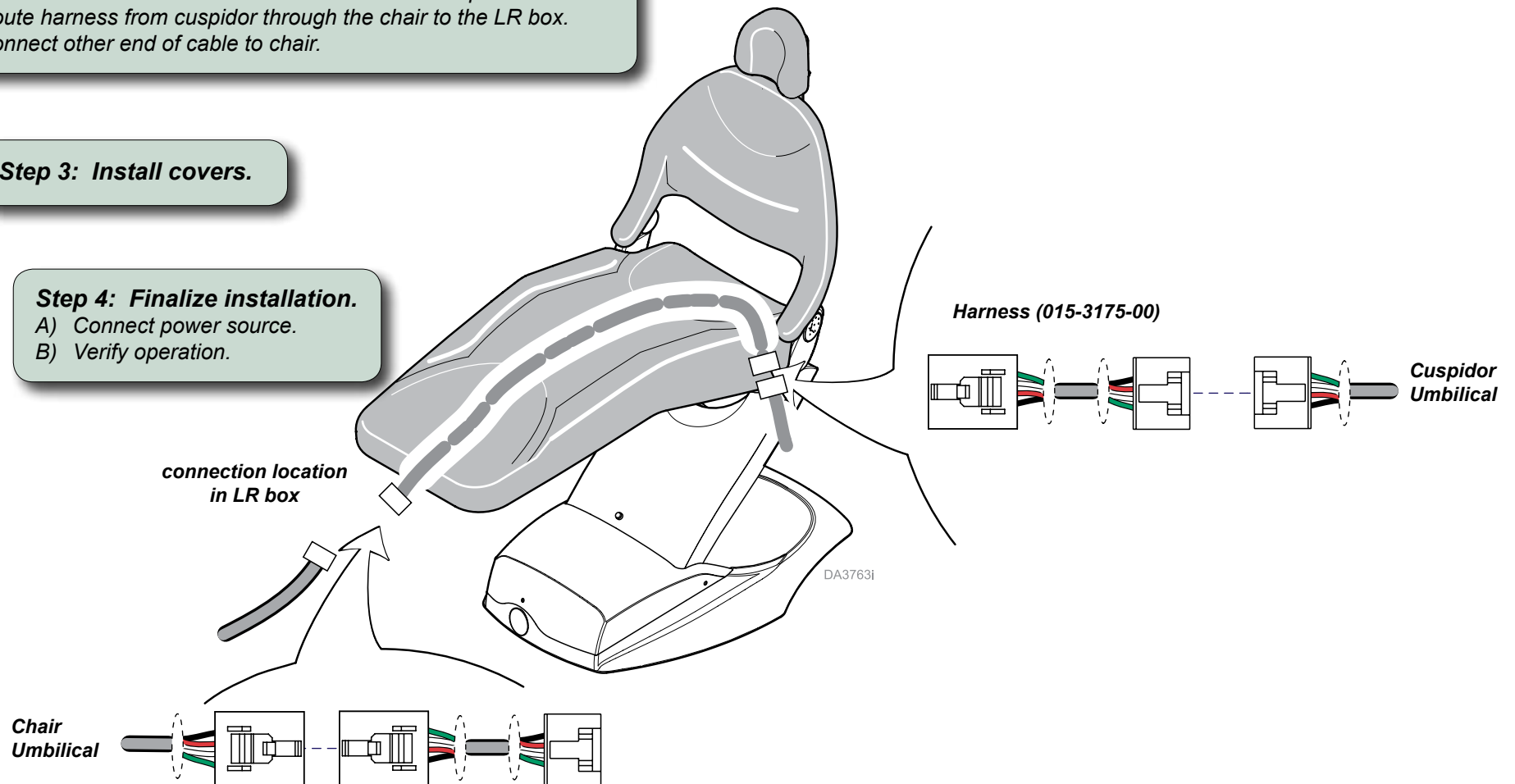
Step 2: Install harness.

- A) Connect harness at the back of the chair to the cuspidor umbilical.
- B) Route harness from cuspidor through the chair to the LR box.
- C) Connect other end of cable to chair.

Step 3: Install covers.

Step 4: Finalize installation.

- A) Connect power source.
- B) Verify operation.



Chair
Umbilical

Harness (015-3175-00)

Cuspidor
Umbilical

DA3763i