



Pediatric Examination Table

[English](#)
[Español](#)
[Français](#)

For Models:
640 w/ Midmark Scale



User's Guide

Product Information

Dealer :

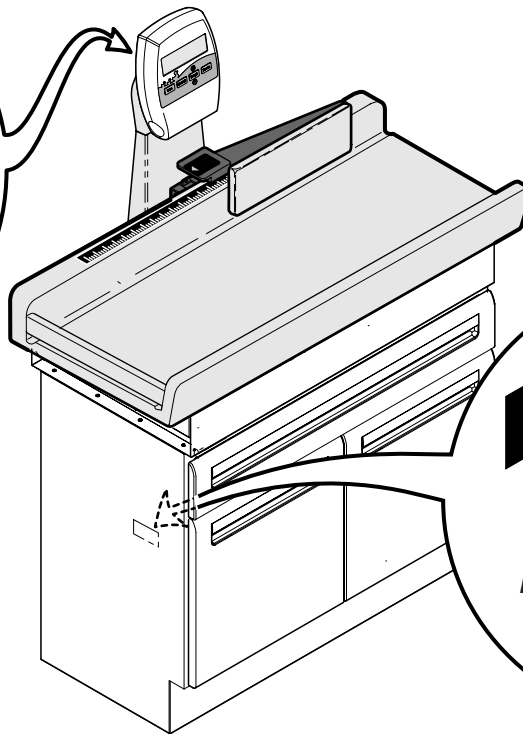
**Midmark® Authorized Service
Company:**

Table Model / Serial Number:

Date of Purchase:

Scale Model / Track Number:

**Digital Scale
Model / Track
Number Location**



**640 Table
Model / Serial
Number Location**

Product Registration

To register your product warranty go to Midmark.com.

Table of Contents

Important Information

<i>Safety Symbols</i>	4
<i>Digital Scale Accuracy</i>	5
<i>Intended Use</i>	6
<i>Electromagnetic Interference</i>	6
<i>Transportation / Storage Conditions</i>	7
<i>Disposal of Equipment</i>	7
<i>Authorized Representatives</i>	7
<i>Safety Instructions</i>	9

Installation

<i>Digital Scale: AC Adapter Cable Connection</i>	10
<i>Storage Shelf</i>	11

Operation

<i>Zero the Scale</i>	12
<i>Units of Measure</i>	13
<i>Weighing a Patient</i>	14
<i>Measuring Patient Length</i>	15
<i>Proper Weighing of Patients Guidelines</i>	17
<i>Paper Roll</i>	18

Maintenance

<i>Calling for Service</i>	19
<i>Cleaning</i>	19
<i>Periodic Maintenance</i>	19
<i>Leveling the Table</i>	20
<i>Door Adjustment</i>	20
<i>Measuring Arm Alignment</i>	21

Specifications

<i>Weights, Electrical Specifications, and Regulatory Compliance Information</i>	22
<i>Dimensions</i>	23

Warranty Information

<i>Limited Warranty</i>	24
-------------------------------	----

Important Information - Safety Symbols



WARNING

Indicates a potentially hazardous situation which could result in serious injury.



Caution

Indicates a potentially hazardous situation which may result in minor or moderate injury. It may also be used to alert against unsafe practices



Equipment Alert

Indicates a situation which could result in equipment damage.

Note

Amplifies a procedure, practice or condition.

Symbol Glossary

These symbols may appear on your equipment and/or in the manuals.



No Pushing



Refer to manual



Keep Dry



Fragile



Catalogue Number



Serial Number



Manufacturer



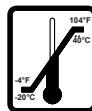
Type BF, Applied Part
(Upholstery)



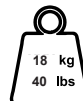
Proper Shipping
Orientation



Maximum stacking height
(palletted units)



Temperature limits for
storage of product



Patient Weight Limit

Important Information - continued

Digital Scale Accuracy



Equipment Alert

Before using the digital scale, verify the scale is measuring accurately using a reference weight of known value. In addition, refer to the Preventive Maintenance Schedule for the recommended frequency of this check. If the scale is determined to be out of calibration, contact your authorized Midmark® service provider before using the scale.



Intended Use

The examination table is intended to provide positioning and support of patients for general examination procedures conducted by medical professionals. The intended patient weight is to be between 5lbs to 40lbs, and must be attended by medical professional or parent at all times. The digital scale is intended for regular monitoring to assess patient weight change, as well as measuring patient weight to assist medical diagnosis. The manual infantometer is intended for regular monitoring to assess patient length change, as well as measuring patient length to assist medical diagnosis. The storage drawers and shelves are intended to be used to store materials such as table paper and other typical medical examinations supplies.



Caution

The patient on the table must be attended by doctor / assistant or parent at all times.

Electromagnetic Interference

This product is designed and built to minimize electromagnetic interference with other devices. However, if interference is noticed between another device and this product:

- Remove interfering device from room
- Plug table into isolated circuit
- Increase separation between table and interfering device
- Contact Midmark® if interference persists

Transportation / Storage Conditions



Equipment Alert

The Midmark® digital scale is a delicately adjusted precision instrument. Avoid excessive shock / vibration. Scale should not be exposed to direct sunlight or located near a heat source. If scale is moved to a location with a temperature difference of 68°F (20°C) or more, allow scale to acclimate for two hours before using.

Ambient Temperature Range:.....-25°C to 60°C (-13°F to 140°F)
Relative Humidity..... 5% to 95% (non-condensing)
Atmospheric Pressure0.49atm (500hPa) to 1.05atm (1060hPa)

Disposal of Equipment

At the end of product life, the table, accessories, and other consumable goods may become contaminated from normal use. Consult local codes and ordinances for proper disposal of equipment, accessories and other consumable goods.

Authorized Representatives



WARNING

In the event of any serious incident in relation to the device, please contact Midmark and the appropriate competent authority.

Customers in Saudi Arabia should direct all questions, incidents and complaints to Midmark's Authorized Representative listed below.

Attieh Medico Ltd
Abdullah M. Al Khalifi Street
Al Nakheel Dist. II
P.O. Box 116105
Jeddah (East)
21391
Saudi Arabia
Tel: + 966 2 286 4707
Fax: + 966 2 286 4744

Customers in the United Arab Emirates should direct all questions, incidents, and complaints to Midmark's Authorized Representative listed below.

GULF DRUG LLC.
Al Barsha,
Dubai, UAE
Phone: +971 4 501 4000
Fax: +971 4 501 4100

Customers in Qatar should direct all questions, incidents, and complaints to Midmark's Authorized Representative listed below.

Tadmur Trading
Midmac Roundabout
Opposite Al Mana Petrol Station
Doha, Qatar
Tel: +974.44337000
Fax: +974.44337100

Authorized Representatives - continued

Customers in Colombia should direct all questions, incidents, and complaints to Midmark's Authorized Representative listed below.

Técnica Electromédica S.A.

Calle 47 # 5-26

Bogota Colombia c.p. 110111

Tel. (+ 57 1) 756 87 87

atencionalcliente@tecnicaelectromedica.com

Customers in Costa Rica should direct all questions, incidents, and complaints to Midmark's Authorized Representative listed below.

Corporacion Almotec SA

225 metros al sur de oficina de correos

San Jose, Zapote, Costa Rica

Tel: 506 7112 9782

Customers in the Panama should direct all questions, incidents, and complaints to Midmark's Authorized Representative listed below.

TECNIDENTAL PANAMA S.A.

VILLA MAGNA, VILLA ZAITA

OFFICE B8

PANAMA

Tel/Fax: 343-4049/ 6614-8029

tecnidentalpanama@gmail.com

Customers in Mexico should direct all questions, incidents, and complaints to Midmark's Authorized Representative listed below.

Sofía Zavala | Asuntos Regulatorios

Carlos Nafarrate SA de CV

Avenida Las Américas 601,

Ladrón de Guevara, 44600,

Guadalajara, Jalisco, México | Tel (33) 3669 9800

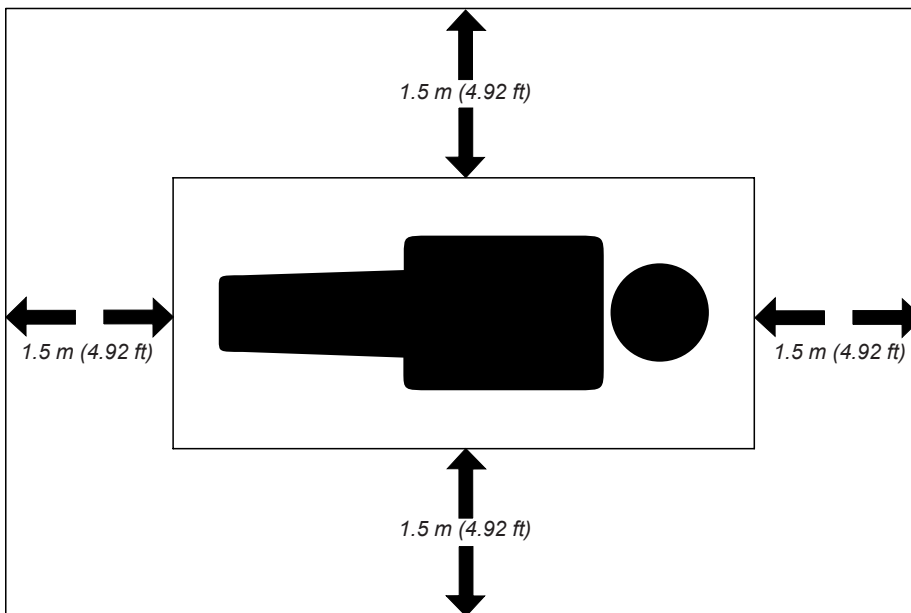
Safety Instructions



WARNING

Risk of Electrical Shock Hazard: Accessory equipment connected to the SIP/SOP port must be certified according to the respective IEC standards, i.e., IEC 60950 for data processing equipment or IEC 60601-1 for electromedical equipment. All combinations of equipment must be in compliance with IEC 60601-1-1 systems requirements. Anyone connecting additional equipment to the SIP/SOP port configures a medical system, and therefore is responsible that the system complies with the requirements of the system standard IEC 60601-1-1.

IEC 60950 approved Information Technology Equipment must be placed outside the "patient environment." The patient environment is defined as an area 1.5 m (4.92 feet) from the patient.



The following options are recommended if there is a need to remediate system leakage current:

- **Redundant protective earth connection shall be made to either the medical device or the other equipment.**
- **The other equipment shall be powered from a medical grade (IEC 60601-1 compliant) separating transformer.**



WARNING

No modification of this equipment is allowed. Table must be positioned in normal use such that the power cords can be easily accessed to unplug. Only transport table unloaded with doors and drawers closed.

Installation

Digital Scale: AC Adapter Cable Connection



Equipment Alert

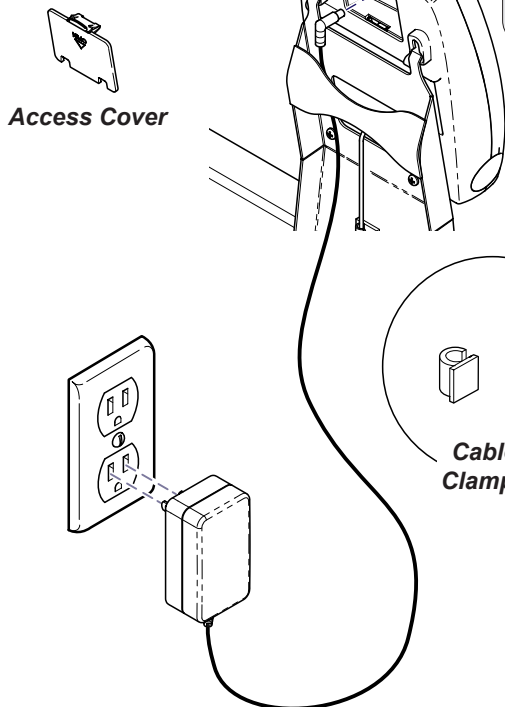
Only use Midmark® supplied AC adapter, part number 015-3153-00.

Note

Communication ports are intended for Midmark service personnel only.

To connect AC adapter cable...

- Remove access cover from the back of display.
- Plug adapter cable into AC port on display.
- Connect adapter cable plug to outlet.
- Install access cover.

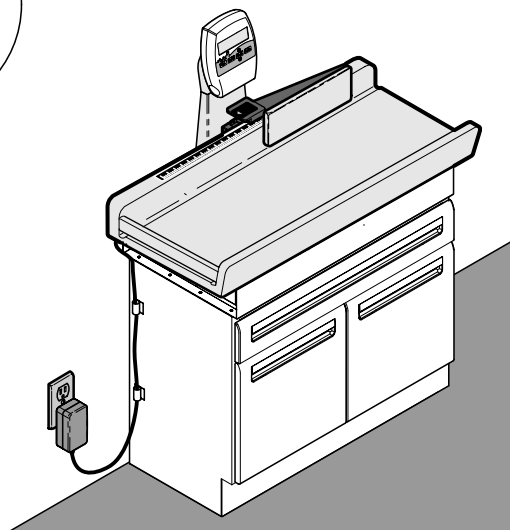


Access Cover

Cable Clamps

Note

Two adhesive-backed cable clamps are provided. These can be used to secure the adapter cable to the table, wall, etc. (see illustration below).

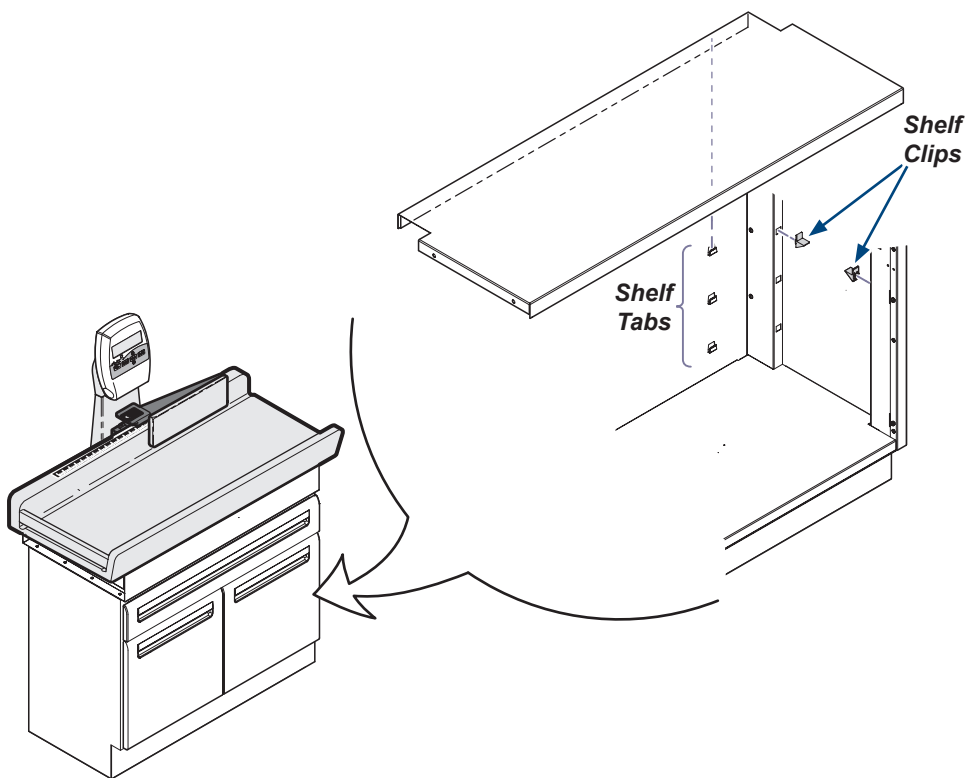


Installation - continued

Storage Shelf

To install storage shelf...

- A) Install four shelf clips.
- B) Latch rear lip of shelf into shelf tabs.
- C) Lower shelf onto shelf clips.



Operation

Digital Scale:

Zero the Scale

Best practice is to always zero the scale prior to weighing the patient. For details, please refer to the weighing guidelines in this manual.



Caution

The maximum patient weight rating for the table is 18 kg (40 lbs).
The maximum patient length rating for the table is 91 cm (36 in.).
The patient on the table must be attended by the doctor / assistant or parent at all times.

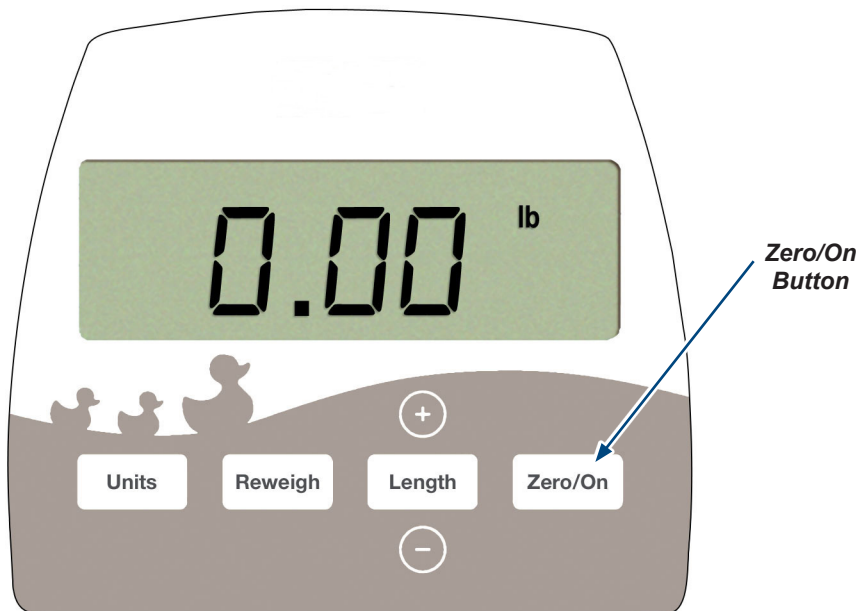
Note

Before positioning patient on exam table, ensure the scale has been zeroed.
Failure to do so may affect the measurement of the patients weight.

To zero the scale...

A) Press and release **Zero/On** button.

Note: The display will flash **SCALE rEAdY** then display zeros.

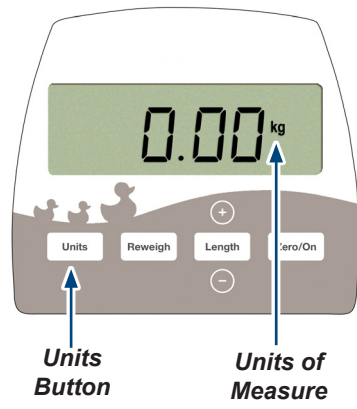
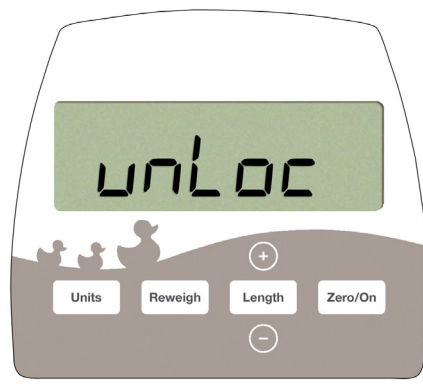
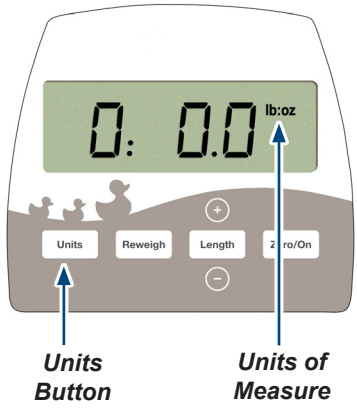
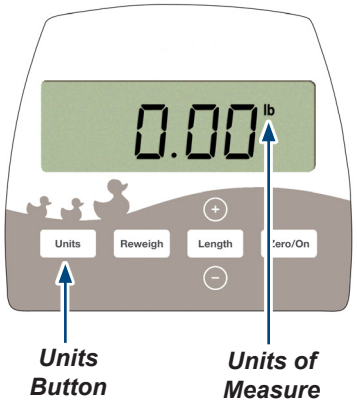


Operation - continued

Digital Scale:

Units of Measure

To change the unit of measure...
A) Press and release **Zero/On** button.
B) When Zeros are displayed, press the **Units** button to scroll through the available units of measure.



To lock or unlock the unit of measure...
A) Press and hold **Units** button for five seconds.
B) The display will read **Loc** or **unLoc** when desired unit of measure is selected.

Note: The other units of measure can be toggled to but will only display for 5 seconds.

Equipment Alert
To turn off unwanted units of measure, contact your local service provider.

Operation - continued

Digital Scale:

Weighing a Patient



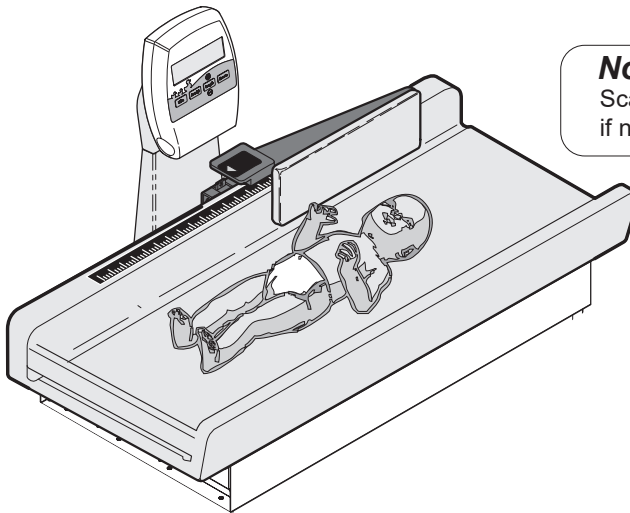
Caution

For accurate weight measurement, refer to *Proper Weighing of Patients* in this manual.

To weigh a patient...

- A) Press and release **Zero/On** button.
- B) With zeros displayed, position patient in the center of the table top.
- C) Limit movement until “Stable Hold” or “Average Hold” and patient weight are displayed.

Note: Depending on movement of the patient, “Stable Hold” or “Average Hold” will be displayed.
If patient motion is prolonged, the reading will average the weight over time for the final reading.



Note

Scale will automatically go into *Sleep Mode* if no activity is detected for 30 seconds.

To reweigh a patient...

- A) Press and release the **Reweight** button.

Note: This will allow a new measurement to be taken without the patient having to be removed from table top.



**Reweight
Button**

Operation - continued

Measuring Patient Length



Caution

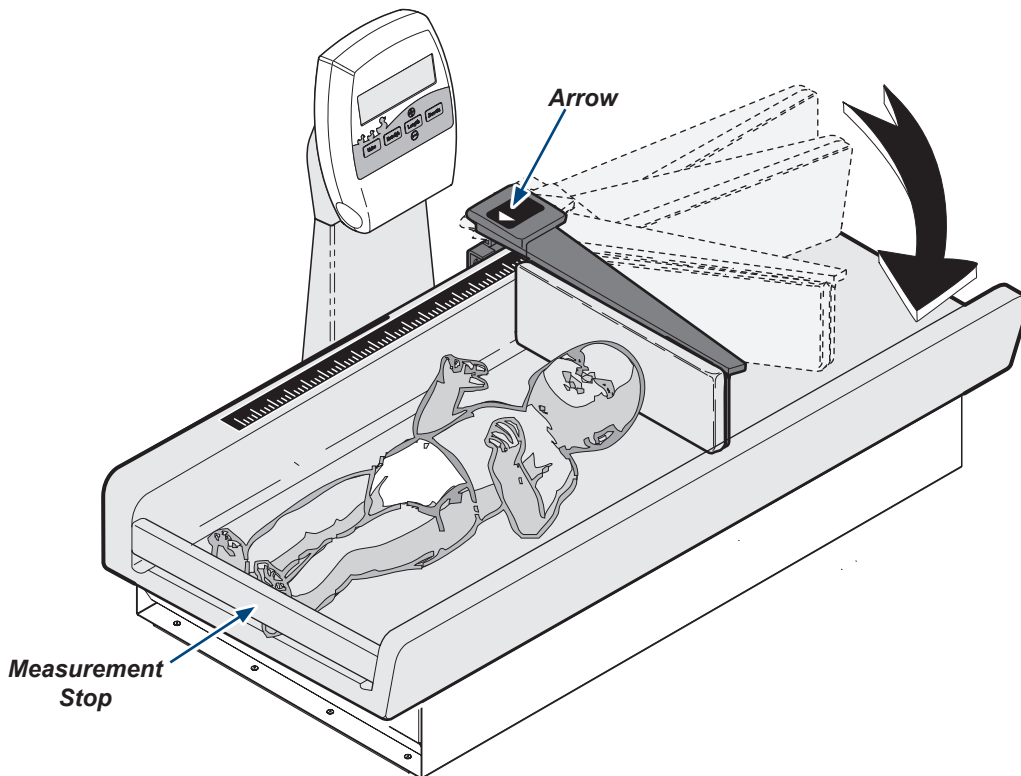
The maximum patient weight rating for the table is 18 kg (40 lbs).

The maximum patient length rating for the table is 91 cm (36 in.).

The patient on the table must be attended by the doctor / assistant or parent at all times.

To measure patient length...

- A) Lay patient on table with feet against measurement stop and legs extended.
- B) Pivot measuring arm out as shown.
- C) Carefully slide scale arm until it contacts patients head.
- D) Read the measurement at arrow on scale arm.



Operation - continued

Measuring Patient Length - continued

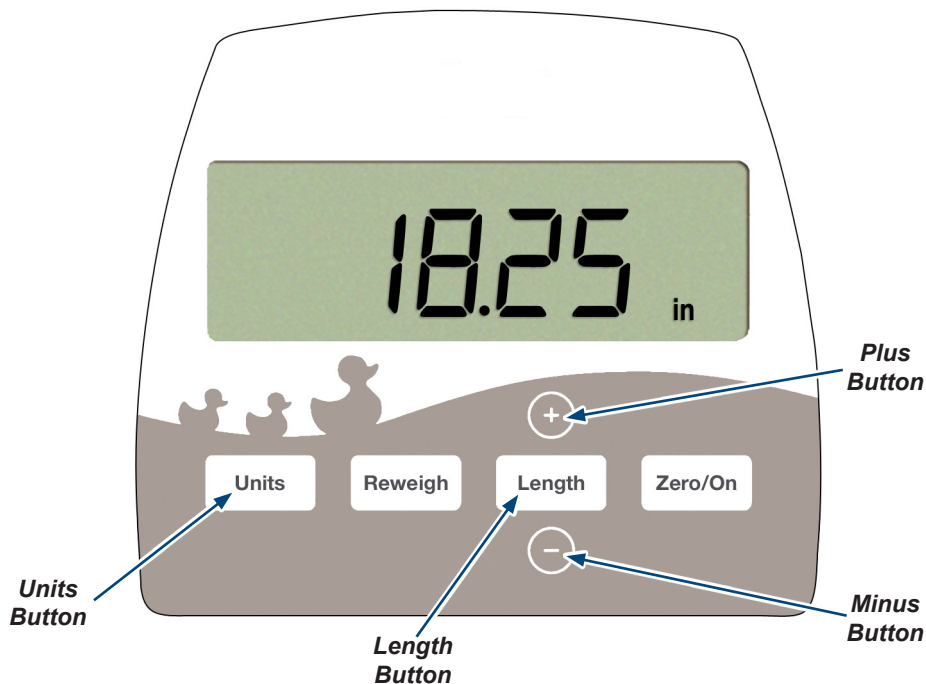
Note

This function is intended for length entry input into scale display.

To display patient / length...

- A) Press and release **Length** button.
- B) Press the **Plus** or **Minus** buttons to adjust reading.

Note: Select the length units by pressing the **Units** button to toggle between the length in inches or centimeters. Subsequent presses of Length button will result in toggling between length entry and weight display modes. The scale will power off if no buttons are pressed within a 30 second time period.





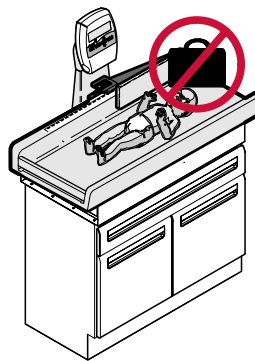
To ensure proper weighing of patients please review the following guidelines.

Proper Weighing of Patients Guidelines

Don't zero the scale while the patient is on the table.



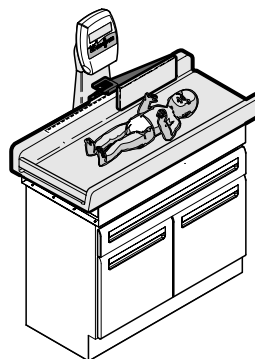
Don't weigh patients with any items such as purses, coats etc. on table.



Don't lean or otherwise apply load to table while measuring weight.



Do ensure the patient is within edges of table and not grasping scale tower.

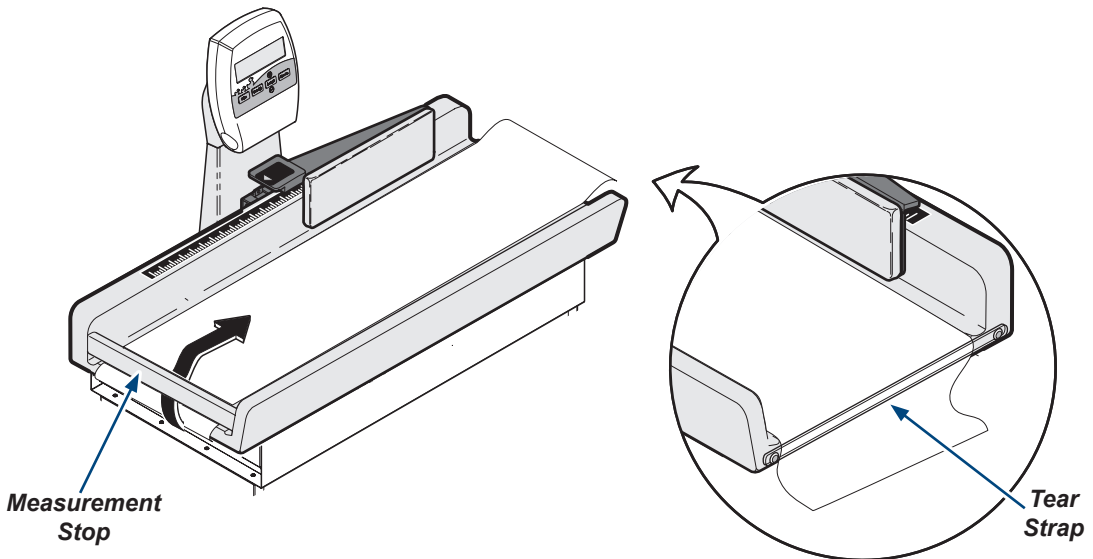
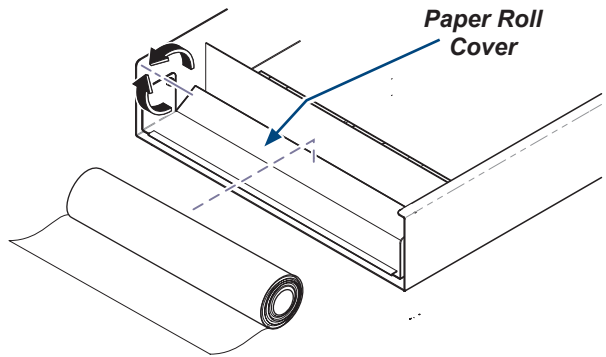


Paper Roll

Paper Roll Size (max.)..... 35.6 cm long x 7.6 cm diameter (14 in. x 3 in.)

To install the paper roll...

- A) Pivot paper roll cover down to open.
- B) Install paper roll, then pivot cover up to hold roll in place.
- C) Feed paper under measurement stop and over table top.
- D) Feed paper under tear strap at opposite end of table.



Maintenance

Calling for Service

Note

Model / serial number information is required when calling for service.

If service is required, contact Midmark directly:

US 844.856.1230 / Canada 937.526.8585
Monday-Thursday 8:00 AM until 6:00 PM
Friday 8:00 AM until 5:00 PM (ET)

Cleaning



Equipment Alert

The upholstery is resistant to most medicinal-type stains, but may be damaged by solvents and dyes. Immediately remove any fluids spilled on the upholstery.

Upholstery

Wash your upholstery weekly with a mild liquid soap and water mixture, rinse with clear water and dry completely to remove disinfection cleaner build-up.

Disinfect your upholstery with a solution of standard bleach and water mixed 1 in 10 (10%) or chlorine based cleaners. Follow this with a clear water rinse and thorough drying of material. See current CDC Guideline for Disinfection & Sterilization in Healthcare Facilities.

To minimize damage caused by disinfectant cleaner residue build-up, do not allow disinfectants to pool on the upholstery surface. Once the approved contact time has been obtained, remove and dry excess liquid remaining on the surface.

Detailed care and maintenance instructions are included with your product. This information is also available on midmark.com in the Technical library under the User Information tab for your product.

Painted Metal / Plastic Surfaces

Clean the painted metal and plastic surfaces weekly using a clean soft cloth, and mild cleaner.

Periodic Maintenance

Periodically inspect the following areas:

- Power cord(s) should be free of cuts or other visible damage.
- All fasteners should be in place and tightened securely.
- All mechanical functions should operate properly.

Have a qualified service technician inspect your equipment every twelve months.

Leveling the Table

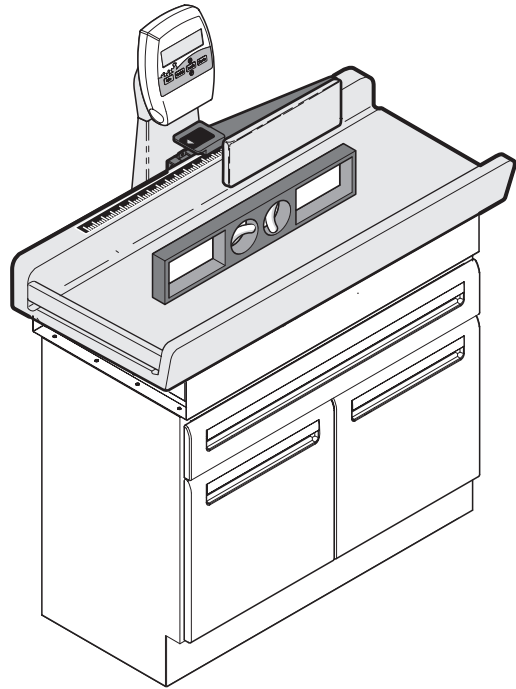


Equipment Alert

To ensure proper operation,
the table must be level.

To level the table...

- A) Place a level on table top.
- B) Adjust leveling feet until table is level.



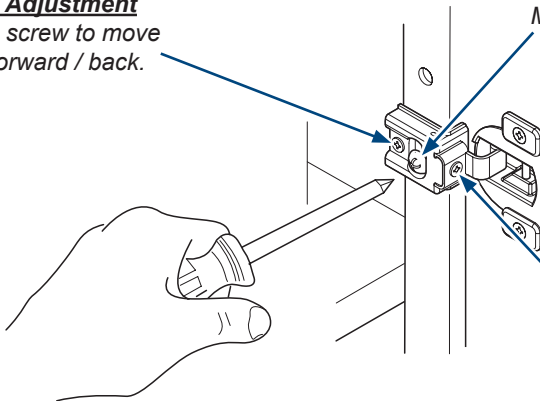
Leveling Feet

Qty: 4 (located at each corner)

Door Adjustment

Depth Adjustment

Turn this screw to move
panel forward / back.



Vertical Adjustment

Loosen this screw on both hinges.
Move door up / down, then tighten screws.

Horizontal Adjustment

Turn this screw to move
panel side to side.

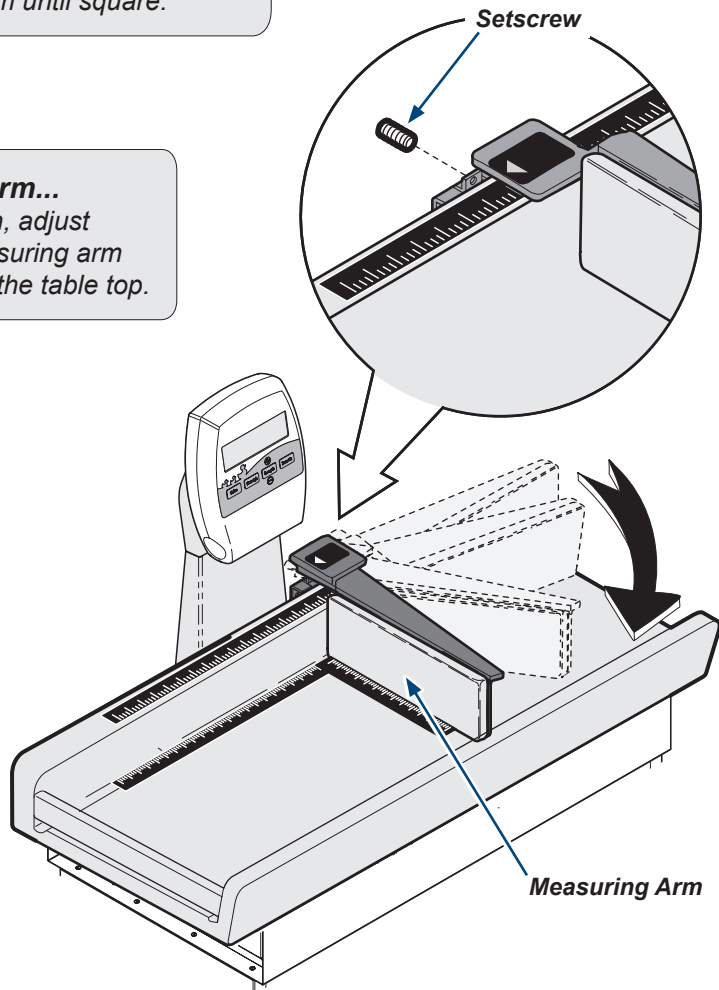
Measuring Arm Alignment

To check measuring arm alignment...

- Pivot measuring arm out as shown.
- Using a carpenter's square, check to see if the measuring arm is square with the back of the table top.
- If necessary, adjust arm until square.

To adjust measuring arm...

Using a 3/32" allen wrench, adjust setscrew in / out until measuring arm is square with the back of the table top.



Specifications

Weights, Electrical Specifications, and Regulatory Compliance Information

Specifications Chart	
Regulatory Compliance:	ANSI/AAMI ES 60601-1:2005 CAN/CSA C22.2 NO. 60601-1-08
Patient Weight:	2 kg (4.5 lbs) - (40 lbs)
Paper Roll (maximum size)	35.6 cm long x 7.6 cm diameter (14 in. x 3 in.)
Weight of Table:	77 kg (170 lbs)
Digital Scale Accuracy:	+/- 28 g (1.0 oz) for weights < 10 kg (22 lbs) +/- 56 g (2.0 oz) for weights ≥ 10 kg (22 lbs)
Digital Scale Increments:	0.5 oz 0.02 lbs 0.01 kg
Power Source AC Adaptor:	Input: 100-240VAC, 50-60Hz, 0.1A
Power Consumption:	10 Watts max.
Display:	LCD w/ 25 mm (1 in.) numerals
Linear Scale (Measuring Arm) Accuracy: Minimum Increments:	± 0.5 cm (1/8 in.) 0.5 cm (1/8 in.)
Table Dimensions:	Refer to: <i>Dimensions</i>

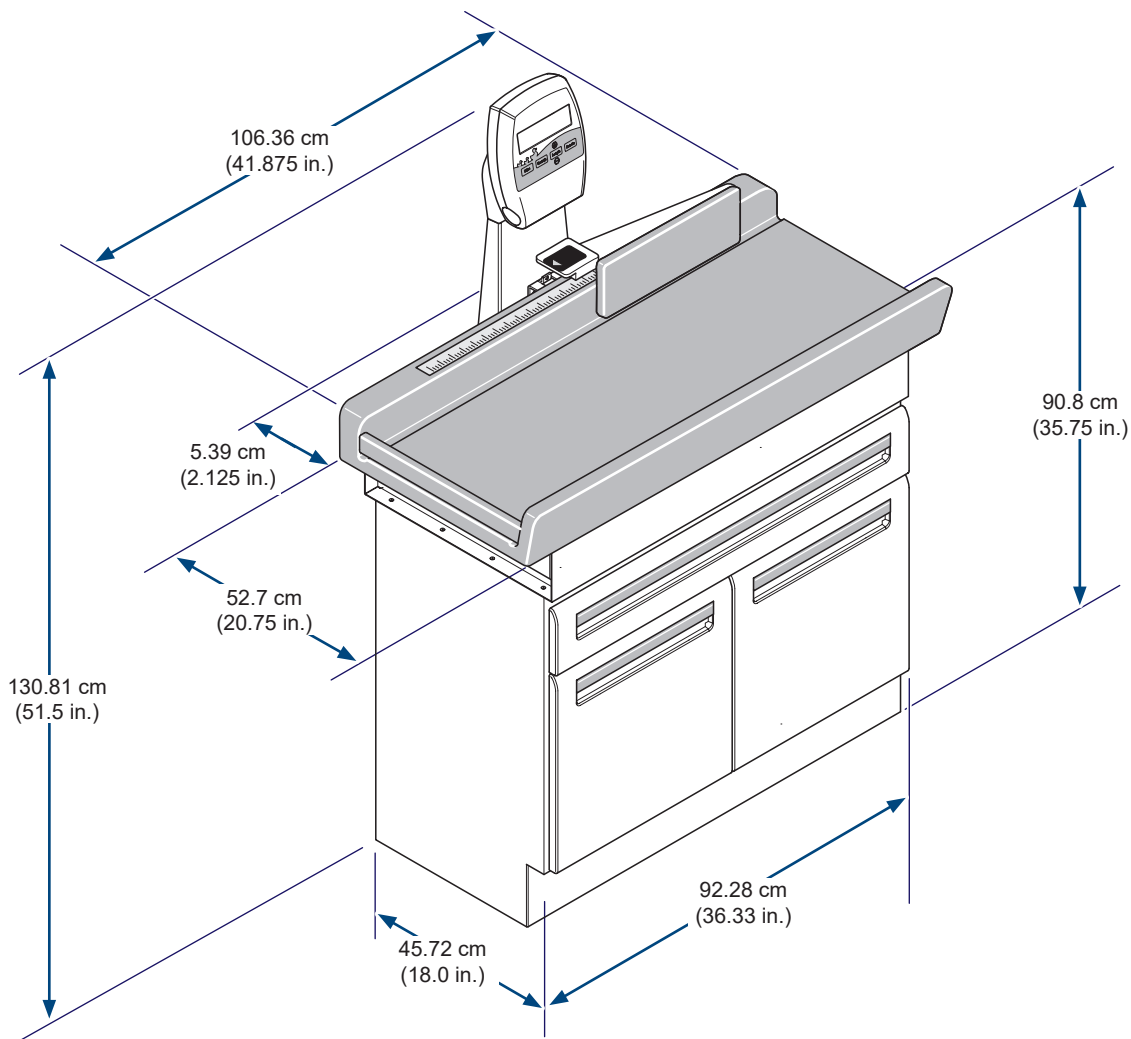


WARNING

Equipment is not suitable for use in the presence of a flammable anesthetic mixture.

Clarification: Equipment is suitable for use in the presence of oxygen, air or nitrous oxide.

Dimensions



Midmark® + Ritter® Medical Equipment (Tables, Chairs, Physician Seating, Lights, Workstations and Sterilizers) Limited Warranty

SCOPE OF WARRANTY Midmark Corporation ("Midmark") warrants to the original retail purchaser that it will, at Midmark's option, repair or replace components of the domestic and international medical products manufactured by Midmark (except for components not warranted under "Exclusions") that are defective in material or workmanship under normal use and service. The sole remedy under this limited warranty is the repair or replacement, at Midmark's option, of the applicable components. This limited warranty shall only apply to defects that are reported to Midmark within the applicable warranty period and which are determined to exist upon examination by Midmark. This warranty extends only to the original retail purchaser of a product and is not transferable or assignable. Replacement components or products may be used and/or refurbished components or products, provided they are of like quality and specifications as new components or products.

Midmark warrants to the original retail purchaser that during the applicable warranty period it will repair or replace software contained within the products manufactured by Midmark (except for those not warranted under "Exclusions") if: (1) the media on which the software is furnished exhibits defects in material or workmanship under normal use; or (2) the software does not substantially conform to its published specifications.

APPLICABLE WARRANTY PERIOD The applicable warranty period, measured from the date of invoice to the original retail purchaser of the product and shall be one (1) year for all warranted products and components. QuickClean® Ultrasonic Cleaners are warranted for a period of three (3) years.

OBTAINING WARRANTY SERVICE Warranty service must be obtained through either Midmark or an authorized dealer in the Midmark product line for which warranty service is requested. Midmark may be contacted for warranty service inquiries or issues via email at midmark.com; by phone at 1.800.MIDMARK or by mail to Midmark Corporation, 60 Vista Drive, Versailles, Ohio 45380. It is the retail purchaser's obligation to arrange for delivery of a product to Midmark or one of its authorized dealers for warranty service, which delivery shall be at retail purchaser's expense. It is also the retail purchaser's obligation to comply with the warranty service instructions provided either by Midmark or its authorized dealer. The retail purchaser must provide Midmark with completed warranty registration information within thirty (30) days after purchase in order to obtain the benefits of this limited warranty.

EXCLUSIONS: This limited warranty does not cover and Midmark shall not be liable for the following:

- (1) Defects, damage or other conditions caused, in whole or in part, by misuse, abuse, negligence, alteration, accident, freight damage, negligent storage, tampering or failure to seek and obtain repair or replacement in a timely manner;
- (2) Products which are not installed, used, and properly cleaned and maintained as required or recommended in the Midmark "Installation" and/or "Installation/Operation Manual" for the applicable product, including the specified structural and operational environmental conditions and electrical requirements;
- (3) Products considered to be of a consumable or sterile nature;
- (4) Accessories or parts not manufactured by Midmark;
- (5) Charges by anyone for adjustments, repairs, replacement parts, installation or other work performed upon or in connection with such products which are not expressly authorized in writing in advance by Midmark;
- (6) Costs and expenses of routine maintenance and cleaning; and
- (7) Representations and warranties made by any person or entity other than Midmark.
- (8) Matching of color, grain or texture except to commercially acceptable standards;
- (9) Changes in color caused by natural or artificial light;
- (10) Custom manufactured products;
- (11) Alterations or modifications to the product by any person or entity other than Midmark; and
- (12) Products that would otherwise be covered under this limited warranty, but are acquired: (i) from a person or entity that is not Midmark or one of its authorized dealers; or (ii) from a Midmark dealer that is not authorized to sell the product at issue in the geographic territory where the purchaser is located, or is not authorized to sell the product at issue within the medical market.

SOFTWARE; WITH RESPECT TO SOFTWARE THAT IS A PRODUCT OR COMPONENT THEREOF, MIDMARK DOES NOT WARRANT THAT THE SOFTWARE: (1) IS ERROR FREE; (2) CAN BE USED WITHOUT PROBLEMS OR INTERRUPTIONS; OR (3) IS FREE FROM VULNERABILITY TO INTRUSION OR ATTACK BY VIRUSES OR OTHER METHODS.

EXCLUSIVE REMEDY; CONSEQUENTIAL DAMAGES DISCLAIMER MIDMARK'S ONLY OBLIGATION UNDER THIS LIMITED WARRANTY IS THE REPAIR OR REPLACEMENT OF DEFECTIVE PARTS. MIDMARK SHALL NOT BE LIABLE FOR AND HEREBY DISCLAIMS ANY DIRECT, SPECIAL, INDIRECT, INCIDENTAL, EXEMPLARY OR CONSEQUENTIAL DAMAGES OR DELAYS, INCLUDING, BUT NOT LIMITED TO, DAMAGES FOR LOSS OF PROFITS OR INCOME, LOSS OF USE, LOSS OF DATA, DOWNTIME, COVER AND EMPLOYEE OR INDEPENDENT CONTRACTOR WAGES, PAYMENTS AND BENEFITS. THIS DISCLAIMER SHALL SURVIVE ANY FAILURE OR ASSERTED FAILURE OF THE ESSENTIAL PURPOSE OF THIS LIMITED WARRANTY OR ITS REMEDIES SPECIFIED HEREIN. WARRANTY DISCLAIMER THIS WARRANTY IS MIDMARK'S ONLY WARRANTY AND IS IN LIEU OF ALL OTHER WARRANTIES, EXPRESS OR IMPLIED. MIDMARK MAKES NO IMPLIED WARRANTIES OF ANY KIND INCLUDING ANY IMPLIED WARRANTIES OF MERCHANTABILITY OR FITNESS FOR A PARTICULAR PURPOSE. THIS WARRANTY IS LIMITED TO THE REPAIR OR REPLACEMENT OF DEFECTIVE PARTS.

STATUTE OF LIMITATIONS No action may be brought against Midmark for breach of this limited warranty, an implied warranty, if any, or for any other claim arising out of or relating to the products, more than ninety (90) days following expiration of the limited warranty period.

NO AUTHORIZATION No person or firm is authorized to create or approve for Midmark any other obligation or liability in connection with the products.

Notes:

Midmark Corporation

60 Vista Drive

Versailles, OH 45380 USA

1.800.643.6275

+1.937.526.3662

midmark.com





Camilla de exploración pediátrica

[English](#)
[Español](#)
[Français](#)

Para los modelos:
*640 con balanza
de Midmark*



Guía del usuario

Información del producto

Distribuidor:

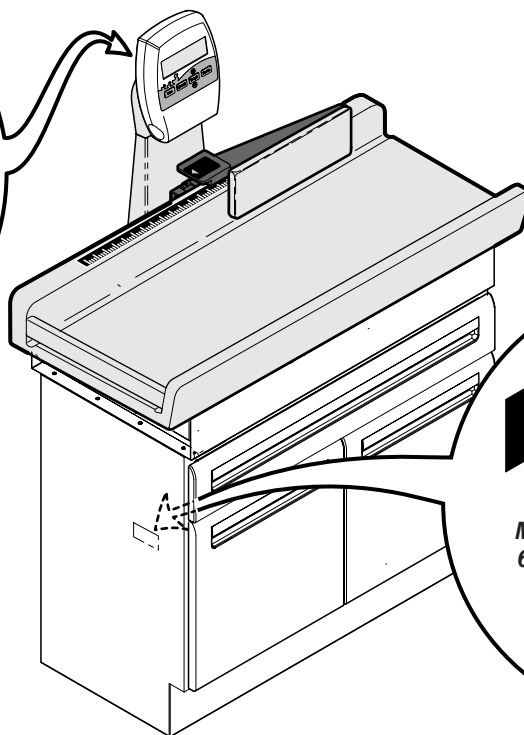
**Empresa de mantenimiento
autorizada por Midmark®:**

**Modelo de camilla/
Número de serie:**

Fecha de compra:

**Modelo de balanza/
Número de seguimiento:**

**Modelo de balanza
digital/Ubicación
del número
de seguimiento**



**Modelo de camilla
640/Ubicación del
número de serie**

Registro del producto

Para registrar la garantía de su producto visite Midmark.com.

Índice

Información importante	
<i>Símbolos de seguridad</i>	4
<i>Precisión de la balanza digital</i>	5
<i>Uso previsto</i>	6
<i>Interferencia electromagnética</i>	6
<i>Condiciones de transporte y almacenamiento</i>	7
<i>Eliminación de equipos</i>	7
<i>Representantes autorizados</i>	7
<i>Instrucciones de seguridad</i>	9
Instalación	
<i>Balanza digital: Conexión del cable adaptador de CA</i>	10
<i>Estante de almacenamiento</i>	11
Funcionamiento	
<i>Balanza digital: Tarar la balanza</i>	12
<i>Unidades de medida</i>	13
<i>Balanza digital: Pesar a un paciente</i>	14
<i>Medir la longitud del paciente</i>	15
<i>Directrices sobre el pesaje adecuado de los pacientes</i>	17
<i>Rollo de papel</i>	18
Mantenimiento	
<i>Comunicación con el servicio técnico</i>	19
<i>Limpieza</i>	19
<i>Mantenimiento preventivo</i>	19
<i>Nivelación de la camilla</i>	20
<i>Ajuste de las puertas</i>	20
<i>Alineación del brazo de medición</i>	21
Especificaciones	
<i>Pesos y especificaciones eléctricas</i>	22
<i>Información sobre la conformidad con la normativa</i>	22
<i>Dimensiones</i>	23
Información sobre la garantía	
<i>Alcance De La Garantía</i>	24

Información importante - símbolos de seguridad



ADVERTENCIA

Indica una situación potencialmente peligrosa que podría ocasionar lesiones graves.



Precaución

Indica una situación potencialmente peligrosa que puede ocasionar lesiones leves o moderadas. También puede usarse para alertar contra prácticas peligrosas.



Advertencia sobre el equipo

Indica una situación que podría provocar daños en el equipo.

Nota

Desarrolla un procedimiento, una práctica o una condición.

Glosario de símbolos

Estos símbolos pueden aparecer en su equipamiento y/o en los manuales.



No empujar



Consultar el manual



Mantener seco



Frágil



Número de serie



Número del catálogo



Fabricante



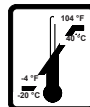
Tipo BF, pieza aplicada (tapicería)



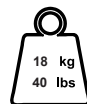
Método de transporte correcto
Orientación



Altura máxima de apilamiento
(unidades almacenadas)



Límites de temperatura para
el almacenamiento del producto



Límite de peso del paciente

Información importante - continuación

Instrucciones de seguridad

Precisión de la balanza digital



Advertencia con respecto al equipo

Antes de utilizar la balanza digital, verifique que mide con precisión mediante un peso de referencia de valor conocido. Además, consulte el Programa de mantenimiento preventivo para ver la Frecuencia recomendada de esta comprobación. Si se determina que la balanza está fuera de calibración, póngase en contacto con su proveedor de servicios Midmark autorizado antes de utilizar la balanza.



Uso previsto

Esta camilla de exploración está diseñada para proporcionar apoyo a los pacientes y para mantener su posición durante procedimientos de exploración generales a cargo de profesionales médicos. El peso previsto del paciente ha de oscilar entre 2,30 kg (5 libras) y 18,15 kg (40 libras) y debe ser atendido por profesionales médicos o los padres en todo momento. La balanza digital está destinada a la supervisión regular para evaluar el cambio de peso del paciente, así como a la medición del peso del paciente para ayudar en el diagnóstico médico. El infantómetro manual está destinado a la supervisión regular para evaluar el cambio de longitud del paciente, así como a la medición de la longitud del paciente para ayudar en el diagnóstico médico. Los cajones y estantes de almacenamiento están destinados a ser utilizados para almacenar materiales tales como papel de camilla y otros suministros de exploraciones médicas típicas.



Precaución

El paciente en la camilla debe ser atendido por el médico / asistente o los padres en todo momento.

Interferencia electromagnética

Este producto se ha diseñado y construido para reducir al mínimo la interferencia electromagnética con otros dispositivos. Sin embargo, si detecta interferencias entre este producto y otros dispositivos:

- Saque el dispositivo que cause interferencias fuera de la sala
- Enchufe el sillón en un circuito aislado
- Aumente la distancia de separación entre la camilla y el dispositivo que cause interferencias
- Póngase en contacto con Midmark si persiste la interferencia

Condiciones de transporte y almacenamiento



Advertencia con respecto al equipo

La balanza digital Midmark es un instrumento de precisión delicadamente ajustado. Evite el exceso de choques/vibraciones. La balanza no debe exponerse a la luz solar directa ni colocarse cerca de una fuente de calor. Si la balanza se traslada a un lugar con una diferencia de temperatura de 20 °C (68 °F) o más, deje que la balanza se adapte durante dos horas antes de utilizarla.

Rango de temperatura ambiente:..... De -25 °C a 60 °C (de -13 °F a 140 °F)
Humedad relativa de 5 % a 95 % (sin condensación)
Presión atmosférica..... de 0,49 atm (500 hPa) a 1,05 atm (1060 hPa)

Eliminación de equipos

Al final del ciclo de vida del producto, tanto la camilla como sus accesorios y otros consumibles podrían estar contaminados por efecto de su uso habitual. Consulte las normativas y códigos locales para la correcta eliminación de equipos, accesorios y otros productos fungibles.

Representantes autorizados



ADVERTENCIA

En caso de incidentes graves relacionados con el dispositivo, contacte con Midmark y con las autoridades competentes apropiadas.

Los clientes de Arabia Saudí deben dirigir todas sus preguntas, incidencias y quejas al representante autorizado de Midmark que se indica a continuación.

Attieh Medico Ltd
Abdullah M. Al Khalifi Street
Al Nakheel Dist. II
P.O. Box 116105
Jeddah (East)
21391
Arabia Saudí
Tel.: + 966 2 286 4707
Fax: + 966 2 286 4744

Los clientes de los Emiratos Árabes Unidos deben dirigir todas sus preguntas, incidencias y quejas al representante autorizado de Midmark que se indica a continuación.

GULF DRUG LLC.
Al Barsha,
Dubai, UAE
Teléfono: +971 4 501 4000
Fax: +971 4 501 4100

Los clientes de la Qatar deben dirigir todas sus preguntas, incidencias y quejas al representante autorizado de Midmark que se indica a continuación.

Tadmur Trading
Midmac Roundabout
Opposite Al Mana Petrol Station
Doha, Qatar
Tel: +974.44337000
Fax: +974.44337100

Representantes autorizados - continuación

Los clientes de la Colombia deben dirigir todas sus preguntas, incidencias y quejas al representante autorizado de Midmark que se indica a continuación.

Técnica Electromédica S.A.
Calle 47 # 5-26
Bogota Colombia c.p. 110111
Tel. (+ 57 1) 756 87 87
atencionalcliente@tecnicaelectromedica.com

Los clientes de la Costa Rica deben dirigir todas sus preguntas, incidencias y quejas al representante autorizado de Midmark que se indica a continuación.

Corporacion Almotec SA
225 metros al sur de oficina de correos
San Jose, Zapote, Costa Rica
Tel: 506 7112 9782

Los clientes de la Panamá deben dirigir todas sus preguntas, incidencias y quejas al representante autorizado de Midmark que se indica a continuación.

TECNIDENTAL PANAMA S.A.
VILLA MAGNA, VILLA ZAITA
OFFICE B8
PANAMA
Tel/Fax: 343-4049/ 6614-8029
tecnidentalpanama@gmail.com

Los clientes de la México deben dirigir todas sus preguntas, incidencias y quejas al representante autorizado de Midmark que se indica a continuación.

Sofía Zavala | Asuntos Regulatorios
Carlos Nafarrate SA de CV
Avenida Las Américas 601,
Ladrón de Guevara, 44600,
Guadalajara, Jalisco, México | Tel (33) 3669 9800

Instrucciones de seguridad

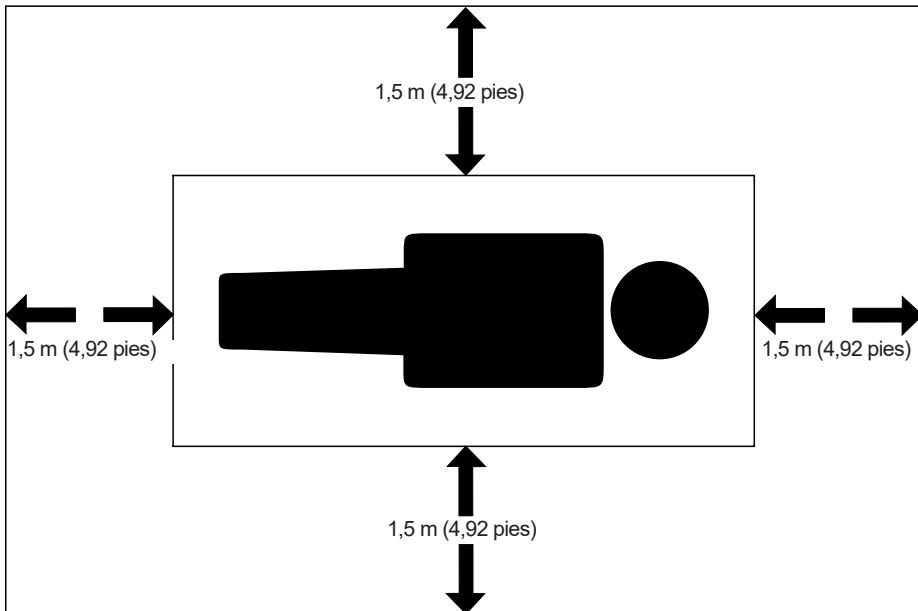


ADVERTENCIA

Riesgo de descarga eléctrica: El equipo auxiliar conectado al puerto SIP/SOP debe estar certificado de acuerdo con las respectivas normas IEC; es decir, IEC 60950 para equipos de procesamiento de datos o IEC 60601-1 para equipos electromédicos.

Todas las combinaciones de equipos deben ser conformes a los requisitos de los sistemas IEC 60601-1-1. Cualquier persona que conecte equipos adicionales al puerto SIP/SOP configurará un sistema médico y, por lo tanto, será responsable de que el sistema cumpla los requisitos de la norma del sistema IEC 60601-1-1.

El equipo de tecnología de la información aprobado IEC 60950 debe colocarse fuera del "entorno del paciente." El entorno del paciente se define como un área de 1,5 m (4,92 pies) alrededor del paciente.



Se recomienda las siguientes opciones si hay una necesidad de remediar la corriente de fuga del sistema:

- Se efectuará la conexión a tierra de protección redundante o bien a cualquiera de los dispositivos médicos o bien al equipo restante.
- El equipo restante habrá de ser alimentado desde un transformador independiente (compatible IEC 60601-1) de grado médico.



ADVERTENCIA

No se permite la modificación de este equipo. La camilla, en uso normal, se debe ubicar de tal forma que se pueda acceder con facilidad a los cables de alimentación para desenchufarlos. Transporte únicamente la camilla sin cargar las puertas y con los cajones cerrados.

Instalación

Balanza digital: Conexión del cable adaptador de CA



Advertencia con respecto al equipo

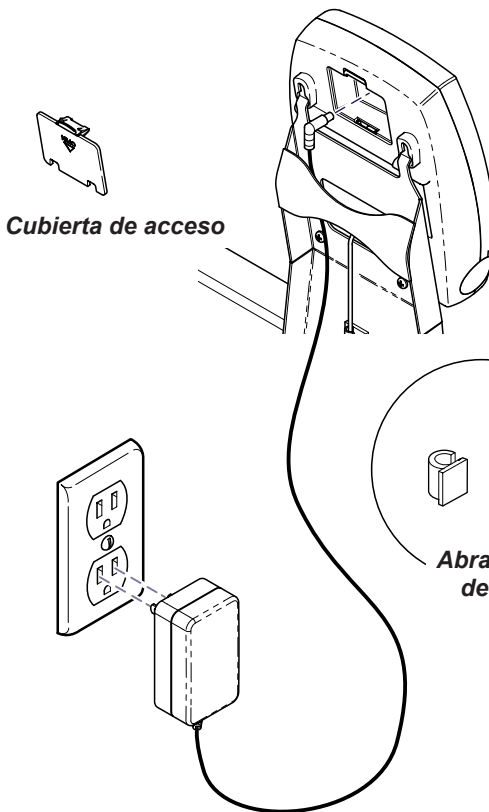
Utilice únicamente el adaptador de CA suministrado por Midmark, número de pieza 015-3153-00.

Nota

Los puertos de comunicación están destinados únicamente al personal de servicio Midmark.

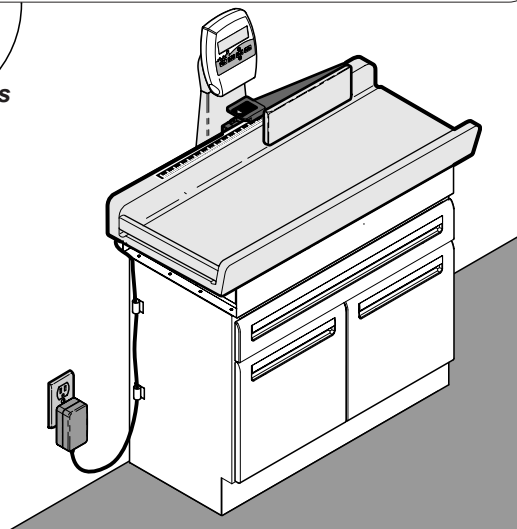
Para conectar el cable adaptador de CA...

- Retire la cubierta de acceso de la parte posterior de la pantalla.
- Enchufe el cable adaptador en el puerto de CA en la pantalla.
- Conecte el enchufe del cable adaptador a la toma de corriente.
- Instale la cubierta de acceso.



Nota

Se proporcionan dos abrazaderas de cable revestidas con adhesivo. Pueden utilizarse para fijar el cable adaptador a la camilla, pared, etc. (Véase la ilustración más abajo).

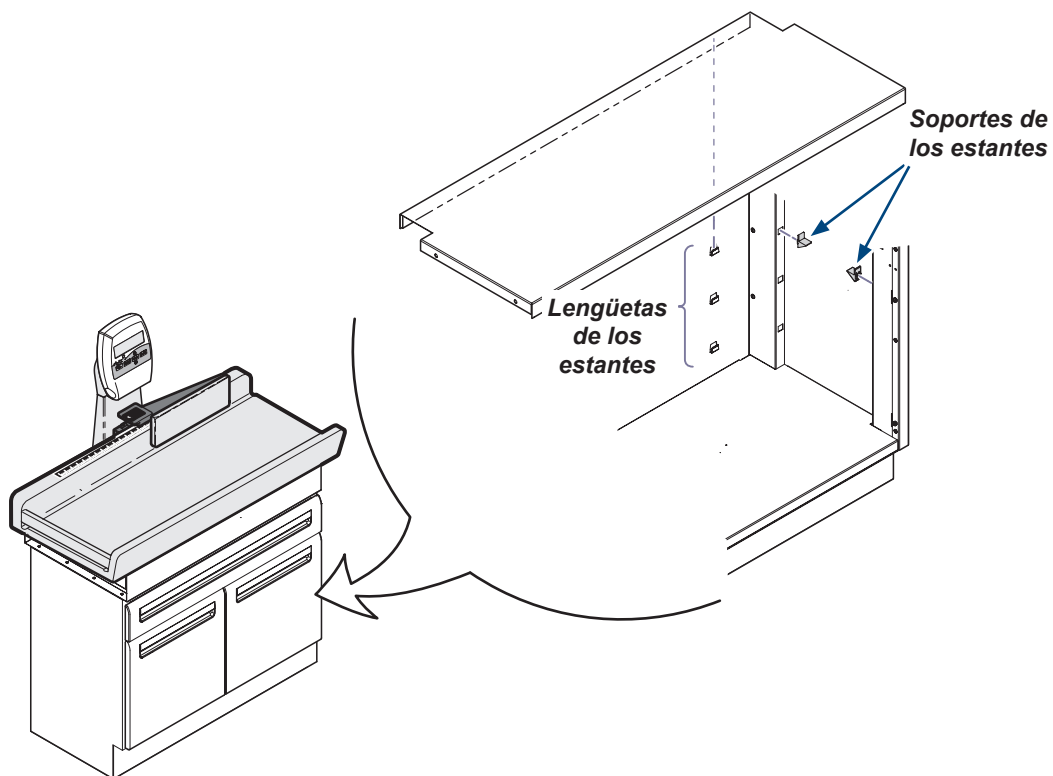


Instalación - continuación

Estante de almacenamiento

Para instalar el estante de almacenamiento...

- A) *Instale cuatro soportes de los estantes.*
- B) *Cierre con pestillo el extremo trasero del estante en las lengüetas de los estantes.*
- C) *Baje el estante hasta los soportes de los estantes.*



Funcionamiento

Balanza digital: Tarar la balanza

La mejor práctica es tarar siempre la balanza antes de pesar al paciente. Consulte las directrices de pesaje en este manual para obtener más información.



Precaución

La capacidad de peso máxima del paciente que puede soportar la camilla es 18 kg (40 lbs.).
La capacidad de longitud máxima del paciente que puede soportar la camilla es 91 cm (36 in.).
El paciente en la camilla debe ser atendido por el médico / asistente o los padres en todo momento.

Nota

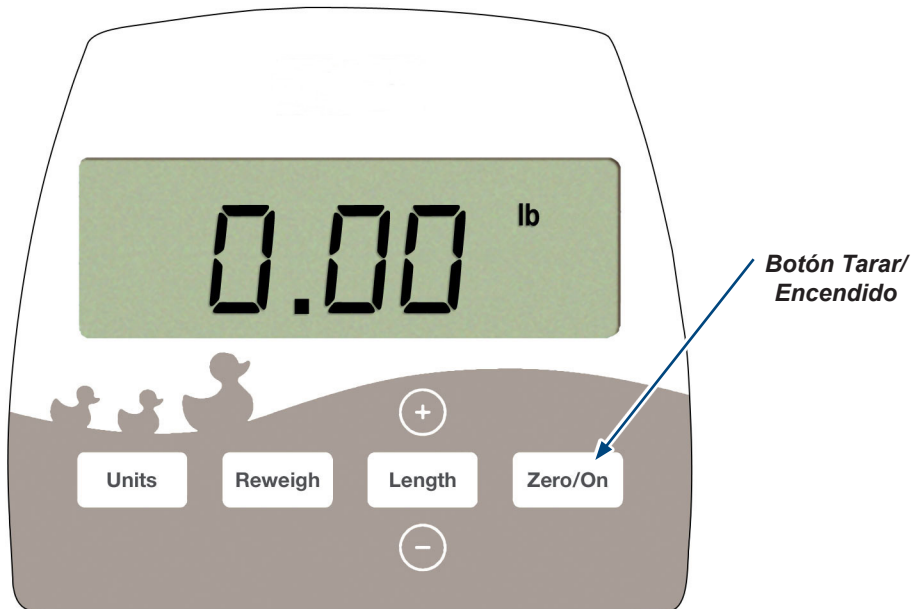
Antes de colocar al paciente sobre la camilla de exploración, asegúrese de que la balanza se ha tarado.

No hacerlo puede afectar la medición del peso de los pacientes.

Para tarar la balanza...

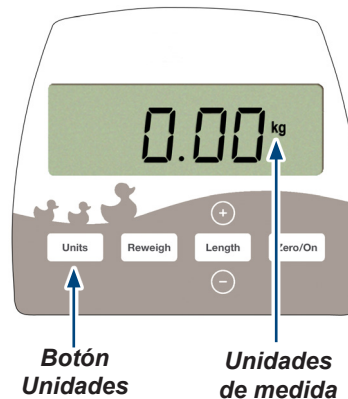
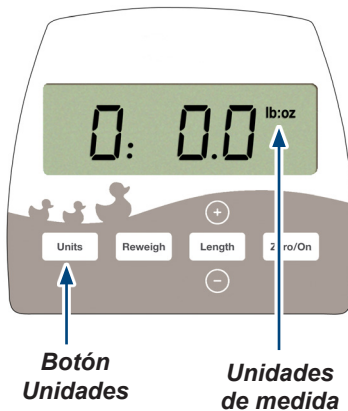
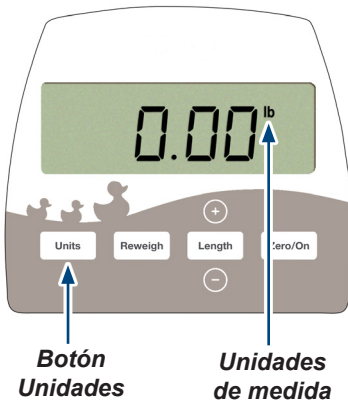
A) Pulse y suelte el botón **Tarar/Encendido**.

Nota: La pantalla parpadeará **SCALE rEADy (BALANZA LISTA)** y a continuación se visualizarán los ceros.



Funcionamiento - continuación

Balanza digital: Unidades de medida



Para cambiar la unidad de medida...

- Pulse y suelte el botón **Tarar/Encendido**.
- Cuando se visualicen los ceros, pulse el botón **Unidades** para desplazarse a través de las unidades de medida disponibles.



Para bloquear o desbloquear la unidad de medida...

- Mantenga pulsado el botón **Unidades** durante 5 segundos.
- En la pantalla aparecerá **Loc (Bloq)** o **unLoc (desBloq)** cuando se seleccione la unidad de medida deseada.

Nota: Las otras unidades de medida se pueden conmutar pero solo se mostrarán durante 5 segundos.



Advertencia sobre el equipo

Póngase en contacto con su proveedor de servicios local para desactivar las unidades de medida no deseadas.

Funcionamiento - continuación

Balanza digital: Pesar a un paciente



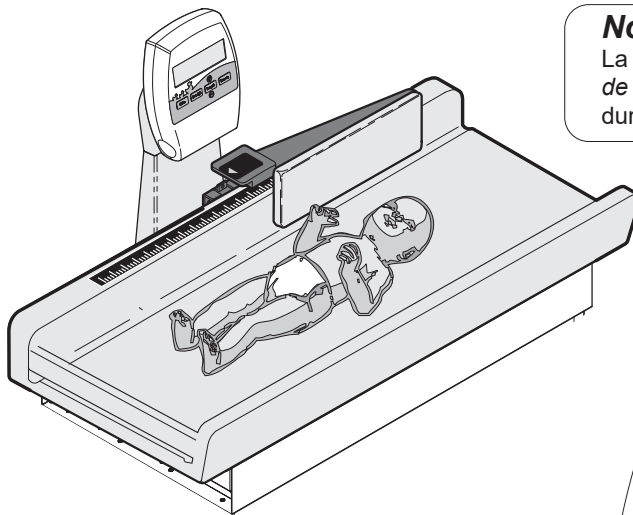
Precaución

Consulte el *Pesaje adecuado de pacientes* en este manual para obtener una medición de peso precisa.

Para pesar a un paciente...

- Pulse y suelte el botón **Tarar/Encendido**.
- Una vez se visualicen los ceros, coloque al paciente en el centro de la parte superior de la camilla.
- Limite el movimiento hasta que se visualicen “**Stable Hold (Mantenimiento estable)**” o “**Average Hold (Mantenimiento promedio)**” y el peso del paciente.

Nota: Dependiendo del movimiento del paciente, se visualizarán “**Stable Hold (Mantenimiento estable)**” o “**Average Hold (Mantenimiento promedio)**.” Si se prolonga el movimiento del paciente, la lectura promediará el peso a lo largo del tiempo para su lectura final.



Nota

La balanza pasará automáticamente al *Modo de reposo* si no se detecta actividad alguna durante 30 segundos.

Para volver a pesar a un paciente...

- Pulse y suelte el botón **Volver a pesar**.

Nota: De este modo, se llevará a cabo una nueva medición sin que el paciente tenga que retirarse de la parte superior de la camilla.



**Botón
Volver a pesar**

Funcionamiento - continuación

Medir la longitud del paciente

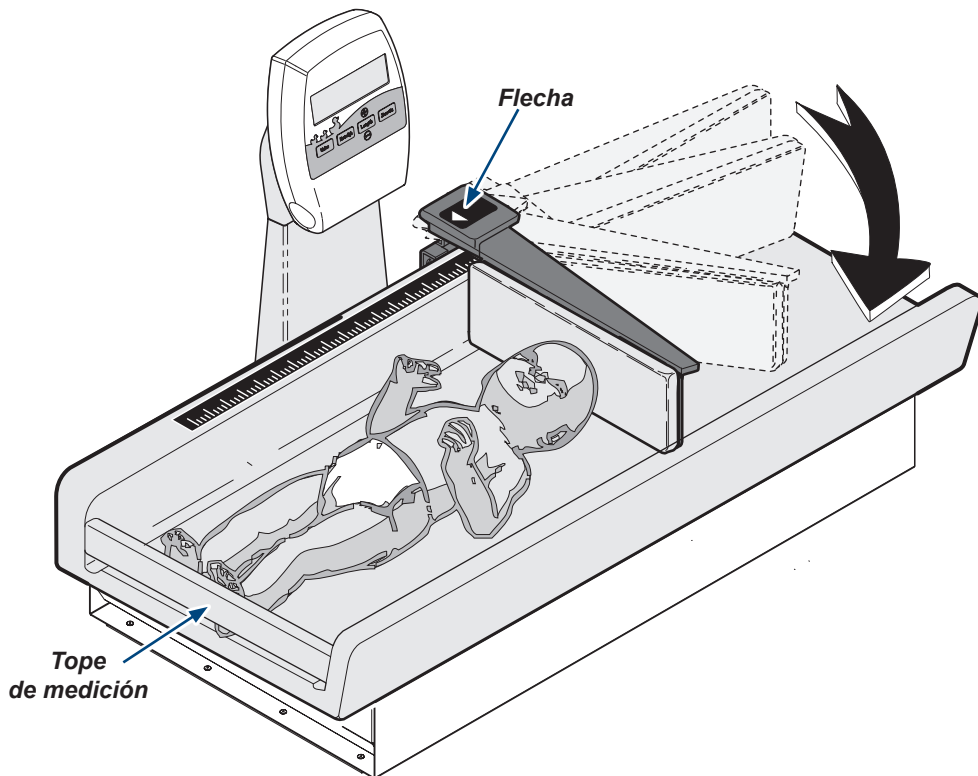


Precaución

La capacidad de peso máxima del paciente que puede soportar la camilla es 18 kg (40 lbs.).
La capacidad de longitud máxima del paciente que puede soportar la camilla es 91 cm (36 in.).
El paciente en la camilla debe ser atendido por el médico / asistente o los padres en todo momento.

Para medir la longitud del paciente...

- A) Tienda al paciente sobre la camilla con los pies contra el tope de medición y las piernas extendidas.
- B) Gire el brazo de medición hacia afuera tal y como se muestra en la imagen.
- C) Deslice con cuidado el brazo de la balanza hasta que entre en contacto con la cabeza del paciente.
- D) Lea la medición en la flecha del brazo de la balanza.



Funcionamiento - continuación

Medir la longitud del paciente - continuación

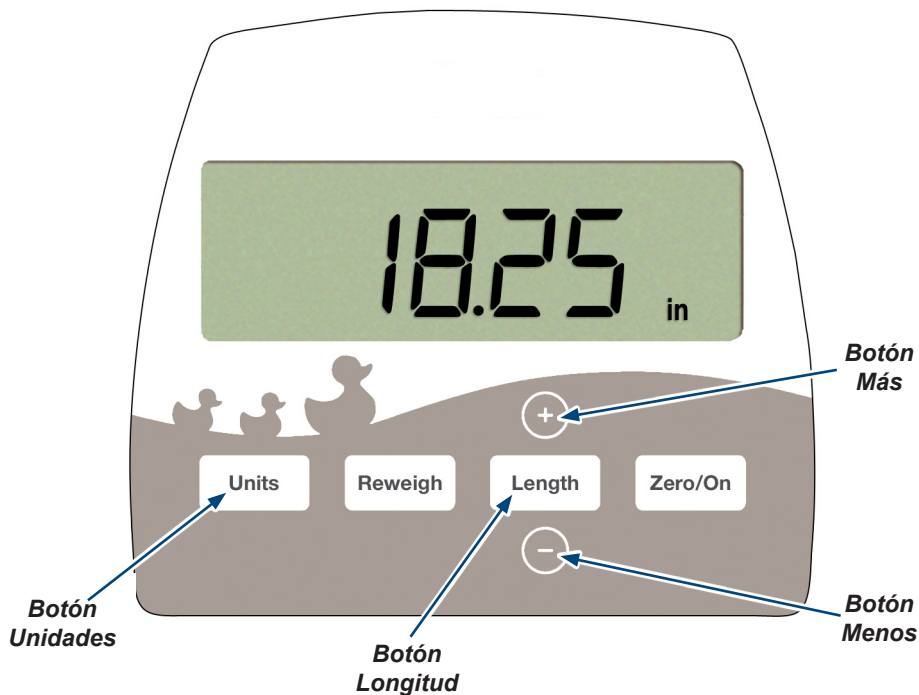
Nota

Esta función está pensada para la introducción de datos de longitud en la pantalla de la balanza.

Para visualizar la longitud del paciente...

- Pulse y suelte el botón **Longitud**.
- Pulse los botones **Más** o **Menos** para ajustar la lectura.

Nota: Seleccione las unidades de longitud pulsando el botón **Unidades** para alternar entre la longitud en pulgadas o centímetros. Las pulsaciones posteriores del botón Longitud darán lugar a alternancias entre los modos de introducción de la longitud y los de visualización del peso. La balanza se apagará si no pulsa ningún botón en un plazo de tiempo de 30 segundos.

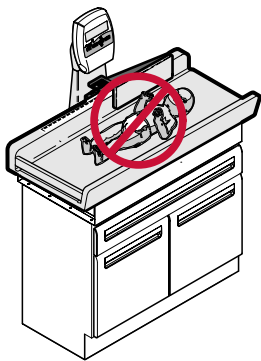




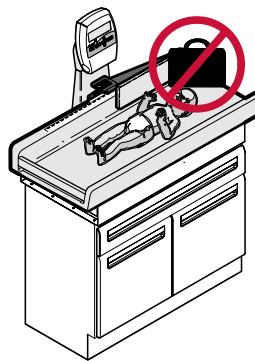
Para garantizar un pesaje adecuado de los pacientes, revise las siguientes directrices.

Directrices sobre el pesaje adecuado de los pacientes

No tare la balanza mientras el paciente esté en la camilla.



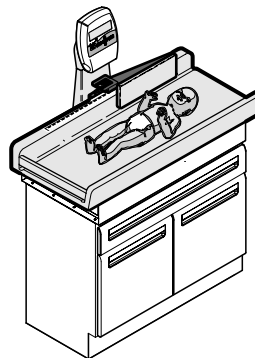
No pese a los pacientes con objetos como bolsos, abrigos, etc., en la camilla.



No se apoye ni aplique carga en la camilla mientras esté midiendo el peso.



Asegúrese de que el paciente se encuentra dentro de los bordes de la camilla y no se agarra a la torre de la balanza.

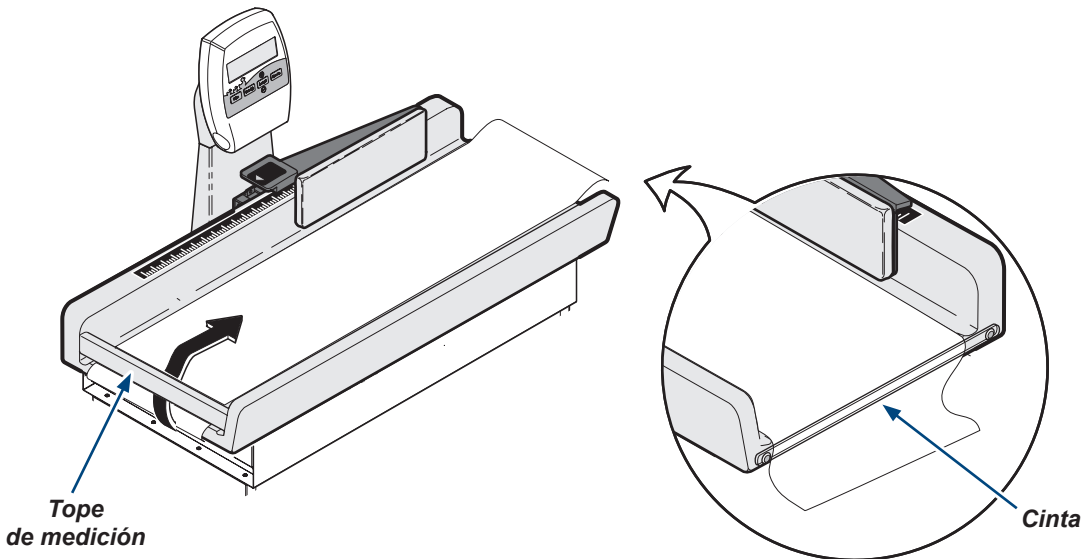
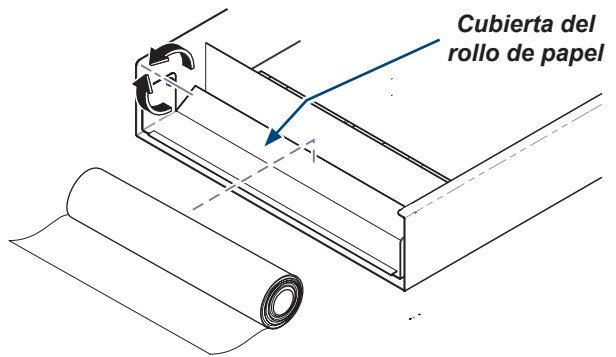


Rollo de papel

Tamaño del rollo de papel (máx.).....35,6 cm de largo x 7,6 cm de diámetro
(14 in. x 3 in.)

Para instalar el rollo de papel...

- A) Gire la cubierta del rollo de papel hacia abajo para abrirla.
- B) Coloque el rollo de papel, luego gire la cubierta hacia arriba para mantener el rollo en su lugar.
- C) Inserte papel debajo del tope de medición y sobre la parte superior de la camilla.
- D) Inserte papel debajo de la cinta en el extremo opuesto de la camilla.



Mantenimiento

Comunicación con el servicio técnico

Nota

Cuando llame para solicitar asistencia técnica deberá indicar el modelo y el número de serie.

Póngase en contacto con su distribuidor autorizado Midmark si necesita asistencia técnica.

Póngase en contacto con Midmark directamente si necesita asistencia técnica:

EE. UU. 844.856.1230 / Canadá 937.526.8585
de lunes a jueves de 8:00 a. m. a 6:00 p. m.
y viernes de 8:00 a. m. a 5:00 p. m. (ET)

Limpieza

Tapicería



Advertencia con respecto al equipo

La tapicería es resistente a la mayoría de las manchas que pueden producirse con el uso médico, pero puede dañarse si se derraman tintes o disolventes sobre ella. Debe secar inmediatamente los líquidos que se derramen sobre la tapicería.

Lave la tapicería todas las semanas utilizando una mezcla con un jabón líquido suave y agua, enjuague con agua limpia y séquela completamente para eliminar la acumulación de limpiador/desinfectante.

Desinfecte la tapicería utilizando una solución de lejía común y agua 1:10 (10 %) o productos basados en cloro. A continuación, enjuague con agua limpia y seque a fondo el material. Véanse las Directrices vigentes de los Centros para el Control y la Prevención de Enfermedades para la desinfección y esterilización en centros sanitarios.

Para minimizar la acumulación de residuos de desinfectante/limpiador, no deje que los desinfectantes se acumulen en la superficie de la tapicería. Una vez transcurrido el tiempo de contacto aprobado, retire y seque el exceso de líquido que quede en la superficie.

Con el producto se incluyen instrucciones detalladas de conservación y mantenimiento. Esta información también está disponible en midmark.com en la biblioteca técnica situada en el apartado "Información del usuario" de su producto.

Superficies de metal o plástico pintadas

Limpie las superficies de plástico y metal pintado pasando un paño suave y limpio con limpiadores suaves.

Mantenimiento preventivo

Revisión periódica de las siguientes áreas:

- El cable de alimentación no debe presentar cortes ni otros daños visibles.
- Todos los elementos de sujeción deben estar colocados y bien apretados.
- Todas las funciones mecánicas deben funcionar correctamente.

Pida cada 12 meses a un técnico de servicio cualificado que revise su equipo.

Nivelación de la camilla

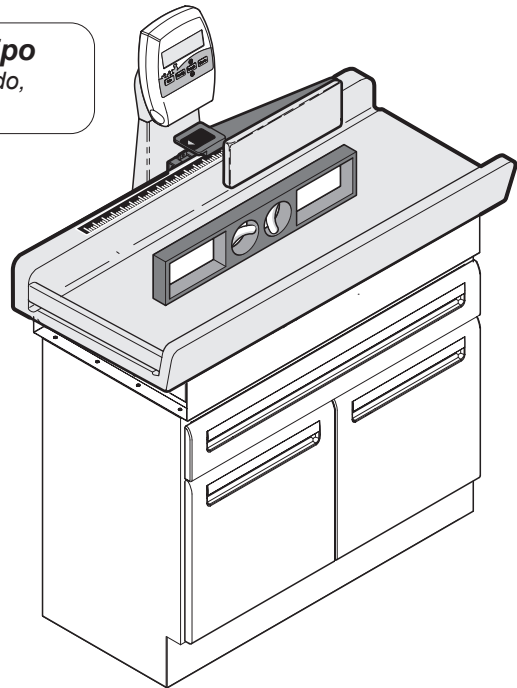


Advertencia con respecto al equipo

Para garantizar un funcionamiento adecuado, la camilla debe estar nivelada.

Para nivelar la camilla...

- A) Coloque un nivel en el tope de la camilla.
- B) Ajuste los dos pies de nivelación hasta que la camilla esté nivelada.



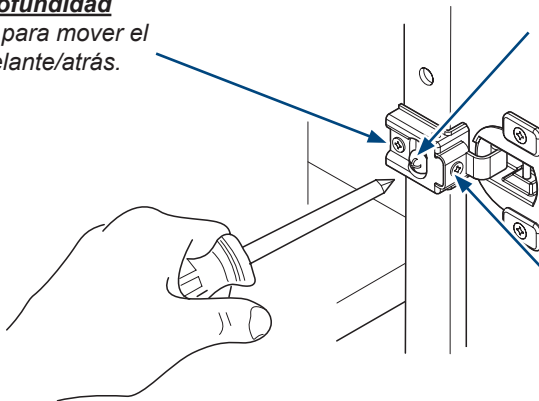
Pies de nivelación

Cant.: 4 (situados en cada esquina)

Ajuste de las puertas

Ajuste de profundidad

Gire este tornillo para mover el panel hacia delante/atrás.



Ajuste vertical

Afloje este tornillo en ambas bisagras. Mueva la puerta hacia arriba/abajo; a continuación, apriete los tornillos.

Ajuste horizontal

Gire este tornillo para mover el panel de lado a lado.

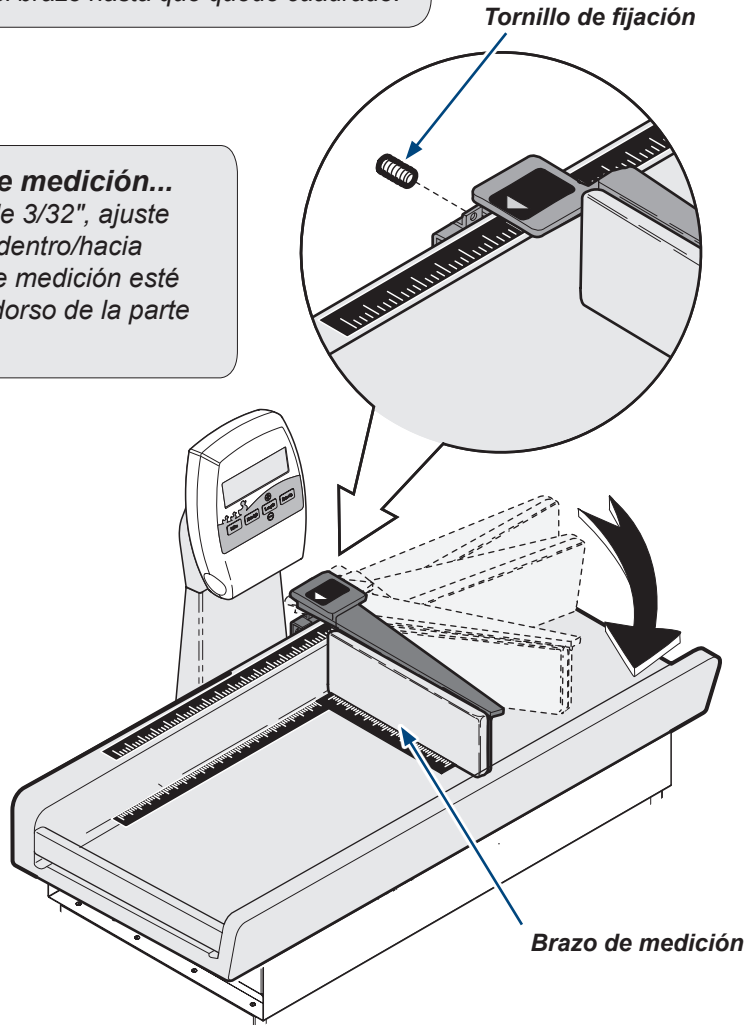
Alineación del brazo de medición

Para comprobar la alineación del brazo de medición...

- A) Gire el brazo de medición hacia afuera tal y como se muestra en la imagen.
- B) Utilizando una escuadra de carpintero, compruebe si el brazo de medición está cuadrado con respecto al dorso de la parte superior de la camilla.
- C) Si es necesario, ajuste el brazo hasta que quede cuadrado.

Para ajustar el brazo de medición...

Utilizando una llave allen de 3/32", ajuste el tornillo de fijación hacia dentro/hacia fuera hasta que el brazo de medición esté cuadrado con respecto al dorso de la parte superior de la camilla.



Especificaciones

Pesos y especificaciones eléctricas e Información sobre la conformidad con la normativa

Tabla de especificaciones	
Cumplimiento legal:	ANSI/AAMI ES 60601-1:2005 CAN/CSA C22.2 NO. 60601-1-08
Peso del paciente:	2 kg (4,5 lbs) - 18 kg (40 lbs)
Rollo del papel (tamaño máximo)	35,6 cm de largo x 7,6 cm de diámetro (14 in. x 3 in.)
Peso de la camilla:	77 kg (170 lbs)
Precisión de la balanza digital:	+/- 28 g (1,0 oz) para pesos < 10 kg (22 lbs) +/- 56 g (2,0 oz) para pesos ≥ 10 kg (22 lbs)
Incrementos de la balanza digital:	0,5 oz 0,02 lbs 0,01 kg
Fuente de alimentación Adaptador de CA:	Entrada: 100-240VAC, 50-60Hz, 0.1A
Consumo de energía:	10 vatios máx.
Pantalla:	LCD con números de 25 mm (1 in.)
Balanza lineal (brazo de medición) Precisión: Incrementos mínimos:	±0,5 cm (1/8 in.) 0,5 cm (1/8 in.)
Dimensiones de la camilla:	Consulte: Dimensiones

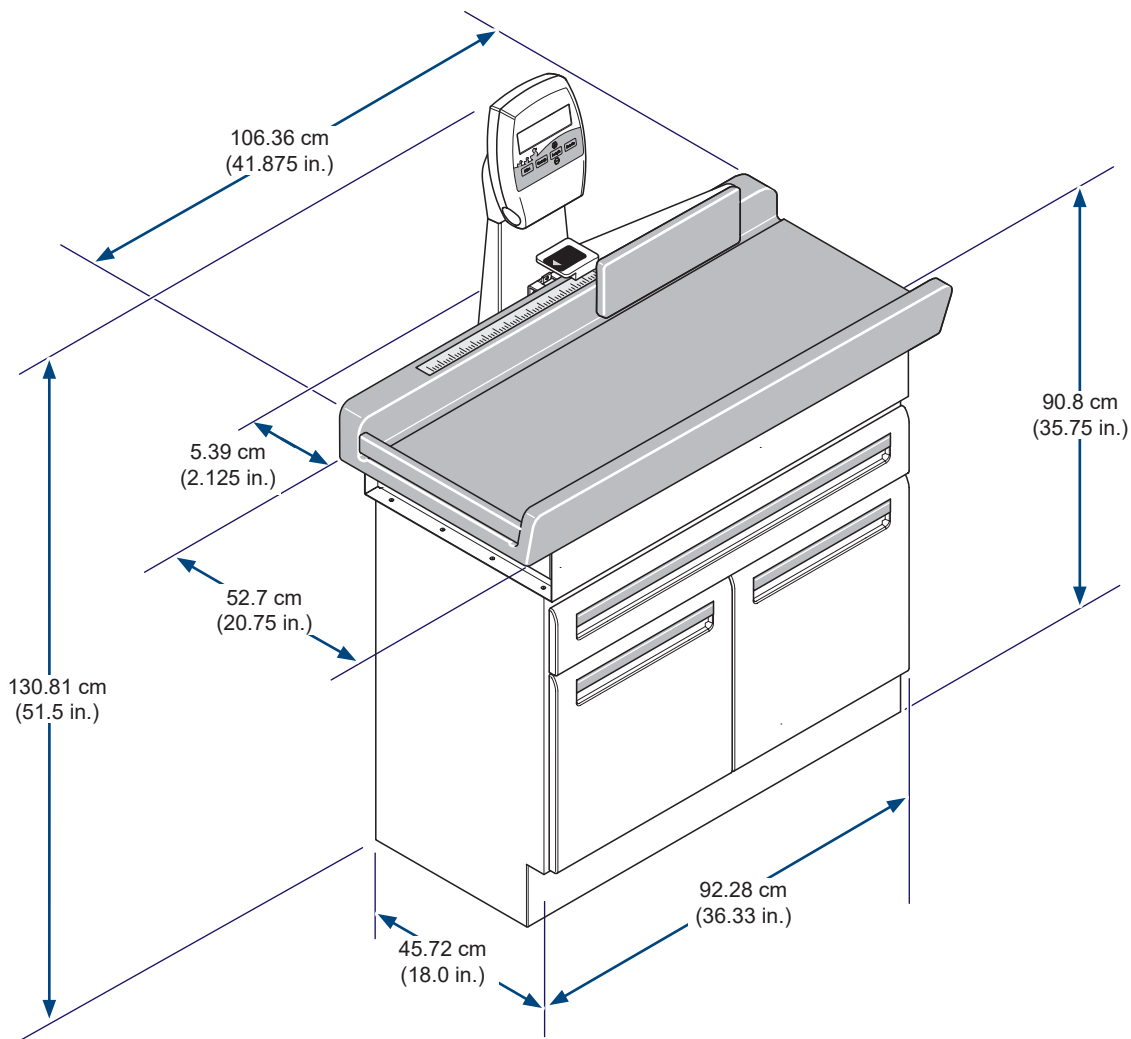


ADVERTENCIA

El equipo no se puede utilizar en presencia de mezclas anestésicas inflamables.

Aclaración: El equipo puede utilizarse en presencia de oxígeno, aire u óxido nitroso.

Dimensiones



Equipo médico Midmark® + Ritter® (mesas, sillas, asientos para médicos, lámparas, estaciones de trabajo y esterilizadores) Garantía limitada

COBERTURA DE LA GARANTÍA. Midmark Corporation («Midmark») garantiza al comprador minorista original que reparará o reemplazará, a discreción de Midmark, los componentes de los productos médicos nacionales e internacionales fabricados por Midmark (excepto los componentes no garantizados en «Exclusiones») que contengan materiales defectuosos o fallos de mano de obra en condiciones normales de uso y servicio. La responsabilidad única en virtud de esta garantía limitada es a la reparación o la sustitución, a discreción de Midmark, de los componentes aplicables. Esta garantía limitada solo se aplicará a los defectos que se notifiquen a Midmark dentro del período de garantía y cuya existencia se llega a determinar tras un examen efectuado por Midmark. Esta garantía se expide únicamente al comprador minorista original de un producto y no es transferible ni asignable. Se pueden utilizar componentes o productos de repuesto o reformados, siempre y cuando tengan la misma calidad y especificaciones que los componentes y productos nuevos.

Midmark garantiza al comprador minorista original que, durante el período de garantía, reparará o reemplazará el software contenido en los productos fabricados por Midmark (excepto los que no estén garantizados en «Exclusiones») si: (1) los formatos en los que se proporciona el software muestran materiales defectuosos o fallos de mano de obra en condiciones normales de uso y servicio; o (2) el software no se ajusta sustancialmente a las especificaciones publicadas.

PERÍODO DE LA GARANTÍA El período de validez de la garantía de todos los productos y componentes es de un (1) año a partir de la fecha de facturación al comprador minorista original del producto. Los limpiadores ultrasónicos QuickClean® están garantizados por un período de tres (3) años.

OBTENCIÓN DEL SERVICIO DE GARANTÍA El servicio de garantía debe obtenerse a través de un distribuidor de Midmark o un distribuidor autorizado por Midmark en la línea de productos para la que se solicita el servicio de garantía. Puede contactar con Midmark para consultarle dudas o problemas sobre el servicio de garantía por correo electrónico en midmark.com, por teléfono al +1.937.526.3662 o por correo postal a Midmark Corporation, 60 Vista Drive, Versailles, Ohio 45380. Es obligación del comprador minorista organizar la entrega de un producto a Midmark o a uno de sus distribuidores autorizados para el servicio de garantía, la cual correrá a cargo del comprador. También es obligación del comprador minorista cumplir las instrucciones de servicio de garantía proporcionadas, ya sea por Midmark o por su distribuidor autorizado. El comprador minorista debe suministrar a Midmark la información de registro de la garantía completada en un plazo de treinta (30) días después de la compra con el fin de obtener los beneficios de esta garantía limitada.

EXCLUSIONES: Esta garantía limitada no cubre (y Midmark no es responsable de) lo siguiente:

- (1) Defectos, daños u otras condiciones causadas, en su totalidad o en parte, por el mal uso, abuso, negligencia, alteración, accidente, daños durante el transporte, almacenamiento negligente, manipulación o incapacidad de solicitar y lograr la reparación o la sustitución dentro del plazo estipulado;
- (2) Productos que no se hayan instalado, utilizado o limpiado y mantenido adecuadamente tal y como se indica o se recomienda en la «Instalación» de Midmark y/o el «Manual de instalación/uso» del producto en cuestión, incluidas las condiciones de entorno estructural y operativo y los requisitos de alimentación eléctrica;
- (3) Productos considerados de naturaleza consumible o estéril;
- (4) Accesorios o piezas no fabricados por Midmark;
- (5) Facturas de terceros en concepto de ajustes, reparaciones, piezas de recambio, instalaciones o cualquier otra modificación del producto, o relacionada con el mismo, que se hayan realizado sin la autorización previa por escrito de Midmark;
- (6) Costes y gastos de mantenimiento y limpieza rutinarios; y
- (7) Declaraciones y garantías hechas por cualquier persona o entidad que no sea Midmark.
- (8) Coincidencia de color, grano o textura, a excepción de las normas comercialmente aceptables;
- (9) Cambios en el color causados por la luz natural o artificial;
- (10) Productos fabricados a medida;
- (11) Alteraciones o modificaciones del producto efectuadas por cualquier persona o entidad que no sea Midmark; y
- (12) Productos que estarían cubiertos por esta garantía limitada pero que se hayan adquirido: (i) a través de una persona o entidad distinta a Midmark o sus distribuidores autorizados; o (ii) a través de un distribuidor de Midmark que no tenga la autorización para vender el producto en cuestión en el territorio donde se encuentre el comprador, o que no tenga la autorización para vender el producto en el sector médico.

SOFTWARE; EN RELACIÓN CON EL SOFTWARE QUE CONSTITUYA UN PRODUCTO O COMPONENTE DEL MISMO, MIDMARK NO GARANTIZA QUE EL SOFTWARE: (1) ESTÉ LIBRE DE ERRORES; (2) SE PUEDA UTILIZAR SIN PROBLEMAS NI INTERRUPCIONES; O (3) NO SEA VULNERABLE A LA INTRUSIÓN O AL ATAQUE DE VIRUS U OTROS MÉTODOS.

RESPONSABILIDAD EXCLUSIVA; DAÑOS EMERGENTES; LA ÚNICA RESPONSABILIDAD DE MIDMARK EN VIRTUD DE LA PRESENTE GARANTÍA LIMITADA ES LA DE REPARAR O SUSTITUIR LAS PIEZAS DEFECTUOSAS. MIDMARK NO SE HACE RESPONSABLE DE, Y POR LA PRESENTE RENUNCIA A, CUALESQUIERA DAÑOS DIRECTOS, ESPECIALES, INDIRECTOS, ACCIDENTALES, EJEMPLARES O CONSECUENTES, O DEMORAS, INCLUIDOS, SIN LIMITACIÓN, DAÑOS POR PÉRDIDA DE GANANCIAS O INGRESOS, PÉRDIDA DE USO, PÉRDIDA DE DATOS, TIEMPO MUERTO, COBERTURA Y SALARIOS DE EMPLEADOS O DE CONTRATISTA INDEPENDIENTE, PAGOS Y BENEFICIOS. LA PRESENTE EXENCIÓN DE RESPONSABILIDAD SERÁ VÁLIDA AUN EN CASO DE INCUMPLIMIENTO O INCUMPLIMIENTO ALEGADO DEL OBJETIVO PRINCIPAL DE ESTA GARANTÍA LIMITADA O DE SUS RESPONSABILIDADES ESPECIFICADAS EN EL PRESENTE DOCUMENTO. EXENCIÓN DE RESPONSABILIDAD DE LA GARANTÍA ESTA ES LA GARANTÍA COMPLETA DE MIDMARK Y SUSTITUYE A CUALQUIER OTRA GARANTÍA, EXPLÍCITA O IMPLÍCITA. MIDMARK NO OFRECE GARANTÍAS IMPLÍCITAS DE NINGÚN TIPO, INCLUIDAS LAS IMPLÍCITAS DE COMERCIABILIDAD O IDONEIDAD PARA UN PROPÓSITO DETERMINADO. ESTA GARANTÍA SE LIMITA A LA REPARACIÓN O SUSTITUCIÓN DE PIEZAS DEFECTUOSAS.

ESTATUTO DE LIMITACIONES No podrá interponerse ninguna acción contra Midmark por incumplimiento de esta garantía limitada, de una garantía implícita, si las hubiere, o por cualquier otra reclamación que surja de o en relación con los productos, después de transcurridos noventa (90) días después del vencimiento del período de garantía limitada.

AUTORIZACIÓN Midmark no autoriza a ninguna persona ni empresa a imponer ni aprobar ninguna otra obligación ni responsabilidad en relación con los productos.

003-2583-99

Midmark Corporation

60 Vista Drive

Versailles, OH 45380 EE. UU.

1.800.643.6275

+1.937.526.3662

midmark.com





Table d'examen pédiatrique

[English](#)

[Español](#)

[Français](#)

Pour les modèles :
640 avec Balance Midmark



Guide de l'utilisateur

Informations sur le produit

Distributeur :

Société de service après-vente agréée Midmark® :

Numéro de modèle/série de la table :

Date d'acquisition :

Numéro de modèle/suivi de la balance :

Balance numérique
Emplacement
du numéro de
modèle/suivi

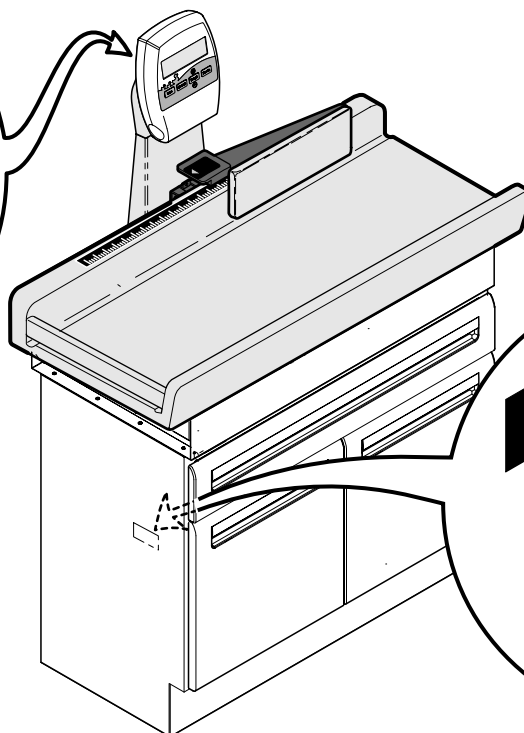


Table 640
Emplacement
du numéro de
modèle/série

Enregistrement du produit

**Pour enregistrer la garantie de votre produit,
voir le site midmark.com.**

Table des matières

Renseignements importants

<i>Symboles de sécurité</i>	4
<i>Précision de la balance numérique</i>	5
<i>Utilisation prévue</i>	6
<i>Interférences électromagnétiques</i>	6
<i>Conditions de transport et de stockage</i>	7
<i>Mise au rebut de l'équipement</i>	7
<i>Représentants autorisés</i>	7
<i>Consignes de sécurité</i>	9

Installation

<i>Branchement du câble de l'adaptateur secteur</i>	10
<i>Tablette de rangement</i>	11

Fonctionnement

<i>Mise à zéro de la balance</i>	12
<i>Unités de mesure</i>	13
<i>Pesée d'un patient</i>	14
<i>Mesure de la taille d'un patient</i>	15
<i>Directives concernant la pesée correcte des patients</i>	17
<i>Rouleau de papier</i>	18

Entretien

<i>Service après-vente</i>	19
<i>Nettoyage</i>	19
<i>Entretien préventif</i>	19
<i>Mise à niveau de la table d'examen</i>	20
<i>Réglage de la porte</i>	20
<i>Alignement du bras de mesure</i>	21

Caractéristiques techniques

<i>Poids, caractéristiques électriques & informations sur la conformité</i>	22
<i>Dimensions</i>	23

Renseignements sur la garantie

<i>Limitation De Garantie</i>	24
-------------------------------------	----

Renseignements importants - Symboles de sécurité



AVERTISSEMENT

Signale un danger potentiel qui pourrait entraîner des blessures graves.



Attention

Signale un danger potentiel qui risque d'entraîner des blessures modérées ou mineures. Il peut également servir à signaler à l'utilisateur des pratiques dangereuses.



Avertissement concernant l'équipement

Signale une situation qui pourrait endommager l'équipement.

Remarque

Attire l'attention sur une procédure, une pratique ou une situation.

Glossaire des symboles

Ces symboles sont susceptibles d'apparaître sur votre équipement et/ou dans les manuels.



Ne pas pousser



Consulter le manuel



Conserver au sec



Fragile



Numéro de catalogue



Numéro de série



Fabricant



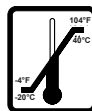
Type BF, partie appliquée (garniture)



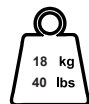
Orientation correcte pour le transport



Hauteur maximale d'empilage (nombre de palettes)



Limites de température pour le stockage du produit



Poids limite du patient

Renseignements importants – Suite

Consignes de sécurité

Précision de la balance numérique



Avertissement relatif à l'équipement

Avant d'utiliser la balance numérique, il est recommandé de vérifier la précision de la mesure de la balance en utilisant un poids de référence d'une valeur connue. En outre, reportez-vous au calendrier d'entretien préventif pour la fréquence recommandée de cette vérification. Si la balance s'avère mal étalonnée, contactez votre technicien de maintenance agréé Midmark avant d'utiliser la balance.



Utilisation prévue

La table d'examen est destinée à positionner et à maintenir des patients lors de procédures d'examen général réalisées par un professionnel de la santé. Le patient visé doit peser entre 2,3 et 18 kg (entre 5 et 40 livres) et son poids doit être surveillé en permanence par un professionnel de la santé ou un parent. La balance numérique est destinée à être utilisée dans le cadre d'un contrôle régulier afin d'évaluer les fluctuations pondérales et de mesurer le poids des patients pour faciliter le diagnostic médical. L'infantomètre manuel est destiné à être utilisé dans le cadre d'un contrôle régulier afin d'évaluer l'évolution de la taille et de mesurer la taille des patients pour faciliter le diagnostic médical. Les tiroirs et les étagères de rangement sont destinés au stockage de matériel, tel que le papier pour table et d'autres fournitures d'examen médical.



Attention

Le patient sur la table doit être surveillé en permanence par un médecin/assistant ou un parent.

Interférences électromagnétiques

Ce produit est conçu et fabriqué pour minimiser les interférences électromagnétiques avec d'autres appareils. Cependant, en cas d'interférences entre un autre appareil et ce produit :

- Retirer de la pièce l'appareil qui crée les interférences
- Brancher la table sur un circuit isolé
- Augmenter la distance entre la table et l'appareil qui crée les interférences
- Contacter Midmark si les interférences persistent

Conditions de transport et de stockage



Avertissement relatif à l'équipement

La balance numérique Midmark est un instrument de précision soigneusement réglé. Évitez tout choc/toute vibration excessifs. La balance ne doit pas être exposée directement aux rayons du soleil ni à proximité d'une source de chaleur. Si la balance est déplacée dans un endroit où la température diffère de 20°C (68°F) ou plus, veuillez patienter deux heures avant de l'utiliser afin qu'elle puisse s'acclimater.

Plage de températures ambiantes :..... -25 °C à 60 °C (-13 °F à 140 °F)
Humidité relative..... 5 à 95 % (sans condensation)
Pression atmosphérique..... 500 hPa (0,49 atm) à 1 060 hPa (1,05 atm)

Mise au rebut de l'équipement

À la fin de la durée de vie du produit, la table, les accessoires et autres fournitures peuvent devenir contaminés dans le cadre d'une utilisation normale. Consultez les codes et les arrêtés locaux pour vous renseigner sur la mise au rebut appropriée de l'équipement, des accessoires et autres fournitures.

Représentants autorisés



AVERTISSEMENT

En cas d'incident grave en rapport avec le dispositif, veuillez contacter Midmark et l'autorité compétente appropriée.

En Arabie Saoudite, tous les problèmes, plaintes ou questions des clients doivent être adressés au représentant autorisé de Midmark indiqué ci-dessous.

Attieh Medico Ltd
Abdullah M. Al Khalifi Street
Al Nakheel Dist. II
P.O. Box 116105
Jeddah (East)
21391
Arabie Saoudite
Tél. : + 966 2 286 4707
Fax : + 966 2 286 4744

Aux Émirats arabes unis, tous les problèmes, plaintes ou questions des clients doivent être adressés au représentant autorisé de Midmark indiqué ci-dessous.

GULF DRUG LLC.
Al Barsha,
Dubai, UAE
Téléphone : +971 4 501 4000
Fax : +971 4 501 4100

En Qatar, tous les problèmes, plaintes ou questions des clients doivent être adressés au représentant autorisé de Midmark indiqué ci-dessous.

Tadmur Trading
Midmac Roundabout
Opposite Al Mana Petrol Station
Doha, Qatar
Tel: +974.44337000
Fax: +974.44337100

Représentants autorisés – Suite

En Colombie, tous les problèmes, plaintes ou questions des clients doivent être adressés au représentant autorisé de Midmark indiqué ci-dessous.

Técnica Electromédica S.A.

Calle 47 # 5-26

Bogota Colombia c.p. 110111

Tel. (+ 57 1) 756 87 87

atencionalcliente@tecnicaelectromedica.com

En Costa Rica, tous les problèmes, plaintes ou questions des clients doivent être adressés au représentant autorisé de Midmark indiqué ci-dessous.

Corporacion Almotec SA

225 metros al sur de oficina de correos

San Jose, Zapote, Costa Rica

Tel: 506 7112 9782

En Panama, tous les problèmes, plaintes ou questions des clients doivent être adressés au représentant autorisé de Midmark indiqué ci-dessous.

TECNIDENTAL PANAMA S.A.

VILLA MAGNA, VILLA ZAITA

OFFICE B8

PANAMA

Tel/Fax: 343-4049/ 6614-8029

tecnidentalpanama@gmail.com

En Mexique, tous les problèmes, plaintes ou questions des clients doivent être adressés au représentant autorisé de Midmark indiqué ci-dessous.

Sofía Zavala | Asuntos Regulatorios

Carlos Nafarrate SA de CV

Avenida Las Américas 601,

Ladrón de Guevara, 44600,

Guadalajara, Jalisco, México | Tel (33) 3669 9800

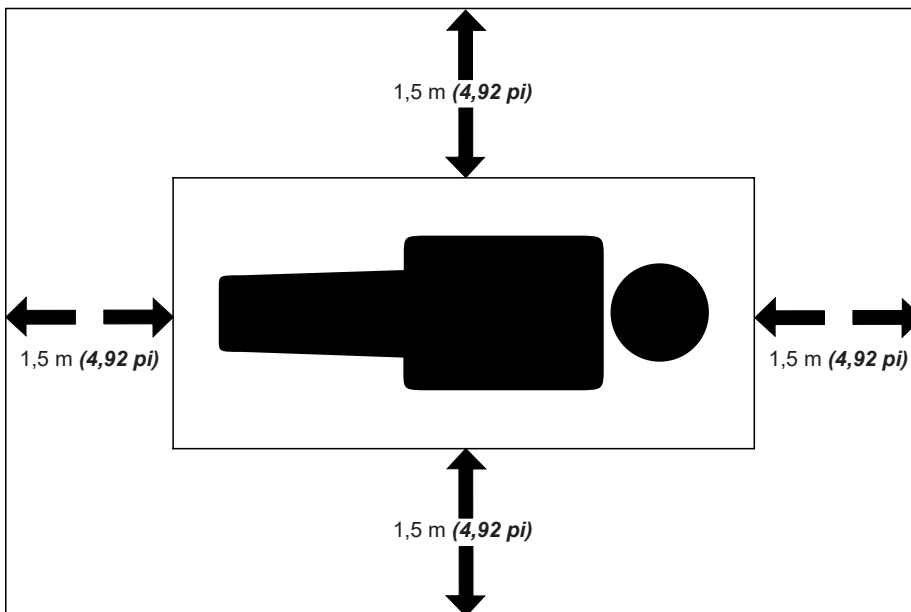
Consignes de sécurité



AVERTISSEMENT

Risque d'électrocution : tout équipement accessoire connecté au port SIP/SOP doit être certifié conformément aux normes CEI respectives, c'est-à-dire CEI 60950 pour les matériels de traitement de l'information ou CEI 60601-1 pour les appareils électromédicaux. Toutes les combinaisons d'appareils doivent être conformes aux exigences de la norme CEI 60601-1-1 applicable aux systèmes. Toute personne connectant un équipement supplémentaire au port SIP/SOP configure un système médical et est ainsi chargée de s'assurer que le système est conforme aux exigences de la norme CEI 60601-1-1.

Le matériel informatique conforme à la norme CEI 60950 doit être placé en dehors de « l'environnement du patient ». Par environnement du patient, on entend un périmètre de 1,5 m (4,92 pieds) autour du patient.



Les options suivantes sont recommandées s'il est nécessaire de remédier à un courant de fuite dans le système :

- Une connexion de protection à la terre redondante doit être effectuée au niveau du dispositif médical ou de l'autre appareil.
- L'autre appareil doit être alimenté par un transformateur de séparation de qualité médicale (conforme à la norme CEI 60601-1).



AVERTISSEMENT

Aucune modification de cet équipement n'est autorisée. Dans le cadre d'une utilisation normale, la table doit être installée de sorte à permettre un accès aisé aux cordons d'alimentation afin de les débrancher. La table peut être uniquement transportée si elle est vide et si les portes et les tiroirs sont fermés.

Installation

Balance numérique :

Branchement du câble de l'adaptateur secteur



Avertissement relatif à l'équipement

Utilisez uniquement l'adaptateur secteur Midmark® fourni ; référence : 015-3153-00.

Remarque

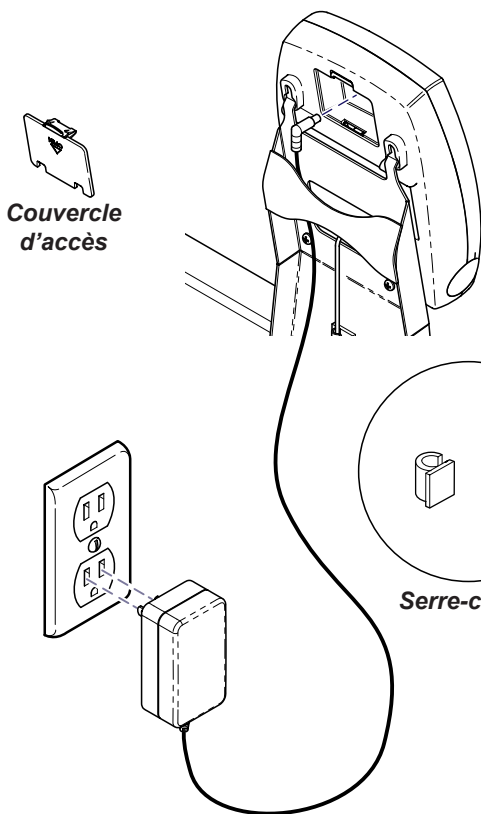
Les ports de communication sont uniquement destinés au personnel de maintenance de Midmark.

Pour brancher le câble de l'adaptateur secteur...

- Ôter le couvercle d'accès à l'arrière de l'écran.
- Brancher le câble de l'adaptateur dans le port de courant alternatif de l'écran.
- Brancher la fiche du câble de l'adaptateur dans une prise de courant.
- Remplacer le couvercle d'accès.

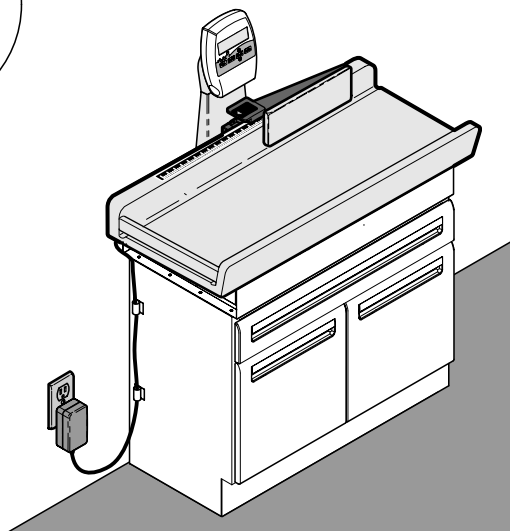
Remarque

Deux serre-câbles adhésifs sont fournis. Ils peuvent être utilisés pour fixer le câble de l'adaptateur à la table d'examen, au mur, etc. (voir illustration ci-dessous.)



Couvercle d'accès

Serre-câbles

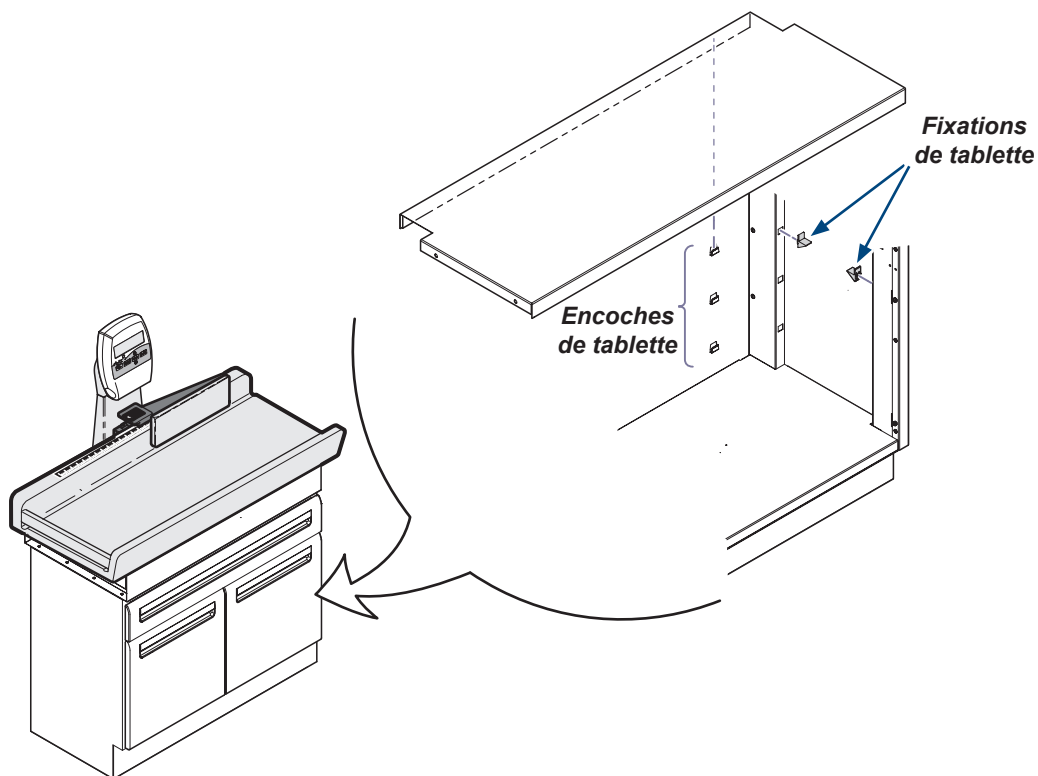


Installation – Suite

Tablette de rangement

Pour poser la tablette de rangement...

- A) Installer quatre fixations de tablette.
- B) Insérer le rebord arrière de la tablette dans les encoches.
- C) Poser la tablette sur les fixations.



Fonctionnement

Balance numérique :

Mise à zéro de la balance

Une bonne pratique consiste à toujours remettre la balance à zéro avant de peser un patient. Pour plus de détails, reportez-vous aux directives en matière de pesage dans ce manuel.



Attention

Le poids nominal maximal du patient pour la table est de 18 kg (40 lbs).

La taille nominale maximale du patient pour la table est de 91 cm (36 po).

Le patient sur la table doit être surveillé en permanence par un médecin/l'assistant ou un parent.

Remarque

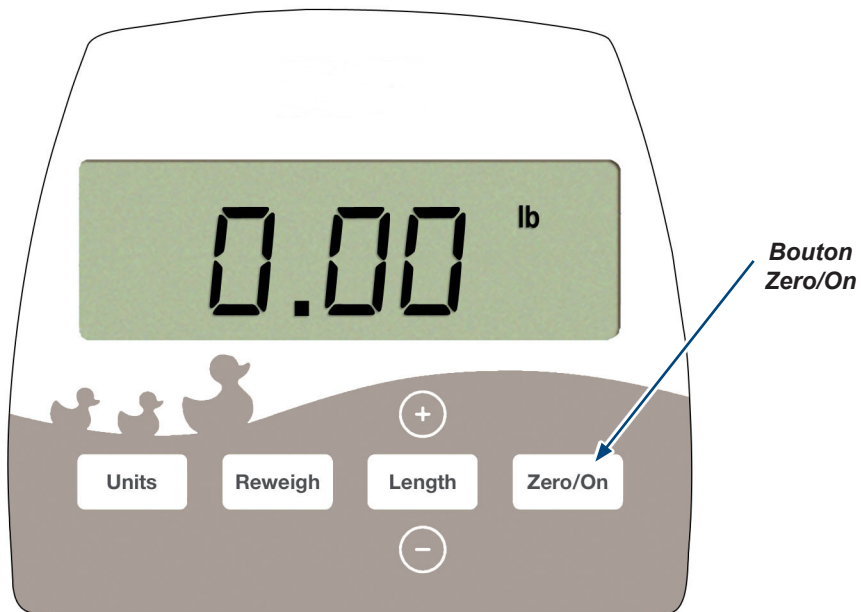
Avant de positionner un patient sur la table d'examen, assurez-vous que la balance soit mise à zéro.

Le non-respect de cette consigne peut affecter la pesée des patients.

Pour remettre la balance à zéro...

A) Appuyer brièvement sur le bouton **Zero/On**.

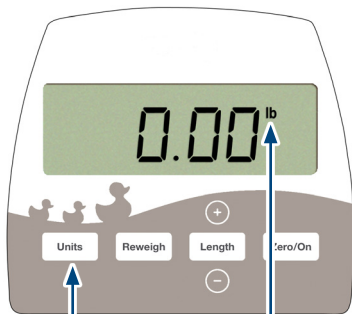
Remarque : le message **SCALE READY** (balance prête) clignotera avant d'afficher les zéros.



Fonctionnement – Suite

Balance numérique :

Unités de mesure



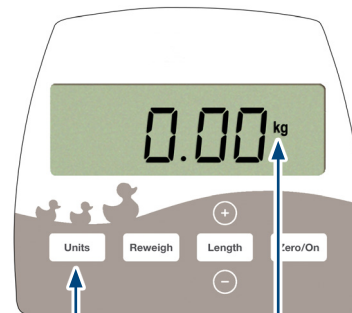
Bouton des unités

Unités de mesure



Bouton des unités

Unités de mesure



Bouton des unités

Unités de mesure

Pour changer l'unité de mesure...

- Appuyer brièvement sur le bouton **Zero/On**.
- Lorsque les zéros sont affichés, appuyer sur le bouton **Units** (unités) pour faire défiler les unités de mesure disponibles.



Pour verrouiller ou déverrouiller l'unité de mesure...

- Appuyer pendant 5 secondes sur le bouton **Units**.
- L'écran affichera **Loc** ou **unLoc** lorsque l'unité de mesure souhaitée sera sélectionnée.

Remarque : il est possible d'afficher les autres unités de mesures, mais celles-ci ne seront visibles que pendant 5 secondes.



Avertissement concernant l'équipement

Pour désactiver les unités de mesures non souhaitées, contactez votre prestataire local.

Fonctionnement – Suite

Balance numérique : Pesée d'un patient



Attention

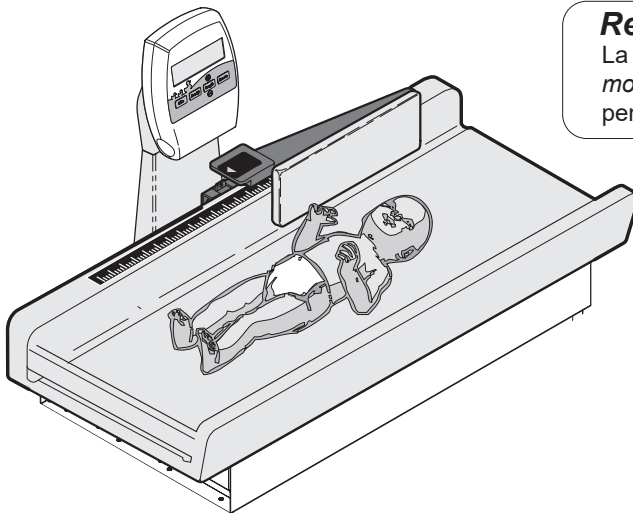
Pour une mesure de poids précise, voir les directives concernant la pesée correcte des patients du présent manuel.

Pour peser un patient...

- Appuyer brièvement sur le bouton **Zero/On**.
- Lorsque la balance affiche les zéros, installer le patient au centre du plateau de la table.
- Limiter ses mouvements jusqu'à ce que les messages « Stable » ou « Moyen » s'affichent.

Remarque : selon les mouvements du patient, les messages « Stable » ou « Moyen » s'affichent.

Si le patient bouge trop longtemps, le relevé final sera une moyenne du poids mesuré sur toute la durée de la pesée.



Remarque

La balance se met automatiquement en mode veille si aucune activité n'est détectée pendant 30 secondes.

Pour reposer un patient...

- Appuyer brièvement sur le bouton **Reweigh**.

Remarque : cette action permet d'effectuer une nouvelle pesée sans retirer le patient de la table.



Bouton de nouvelle pesée

Fonctionnement – Suite

Mesure de la taille d'un patient



Attention

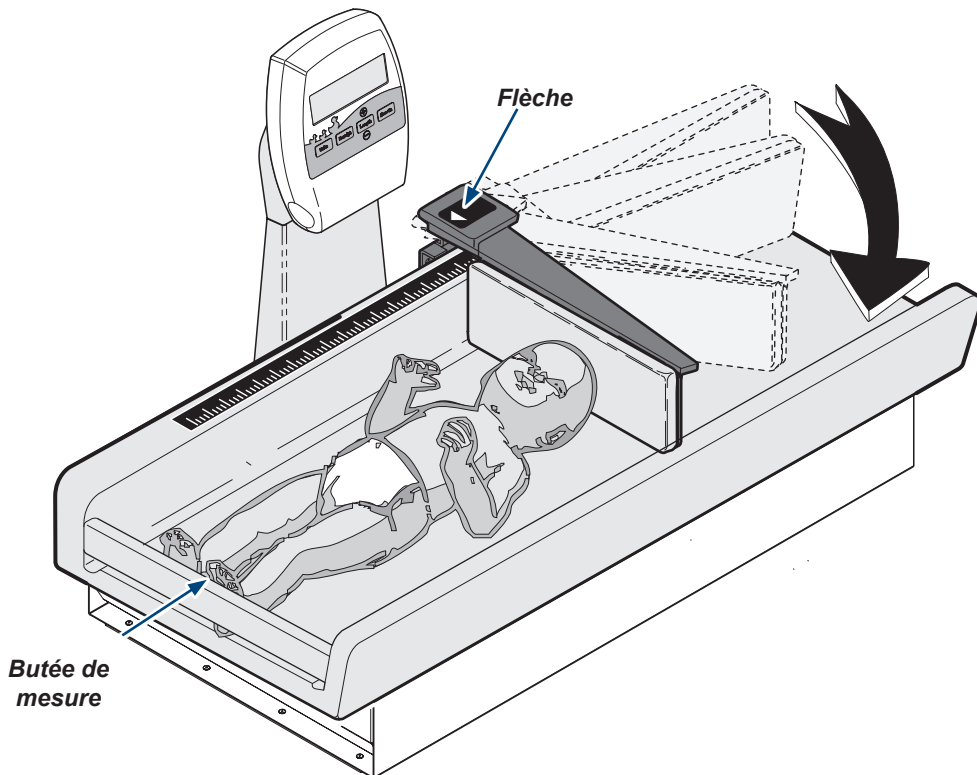
Le poids nominal maximal du patient pour la table est de 18 kg (40 lbs).

La taille nominale maximale du patient pour la table est de 91 cm (36 po).

Le patient sur la table doit être surveillé en permanence par un médecin/l'assistant ou un parent.

Pour mesurer la taille d'un patient...

- Allonger le patient sur la table, les jambes tendues et les pieds contre la butée de mesure.
- Faire pivoter le bras de mesure comme illustré.
- Faire glisser doucement le bras de la balance jusqu'à ce qu'il entre en contact avec la tête du patient.
- Lire la mesure sur la flèche du bras de la balance.



Fonctionnement – Suite

Mesure de la taille d'un patient – Suite

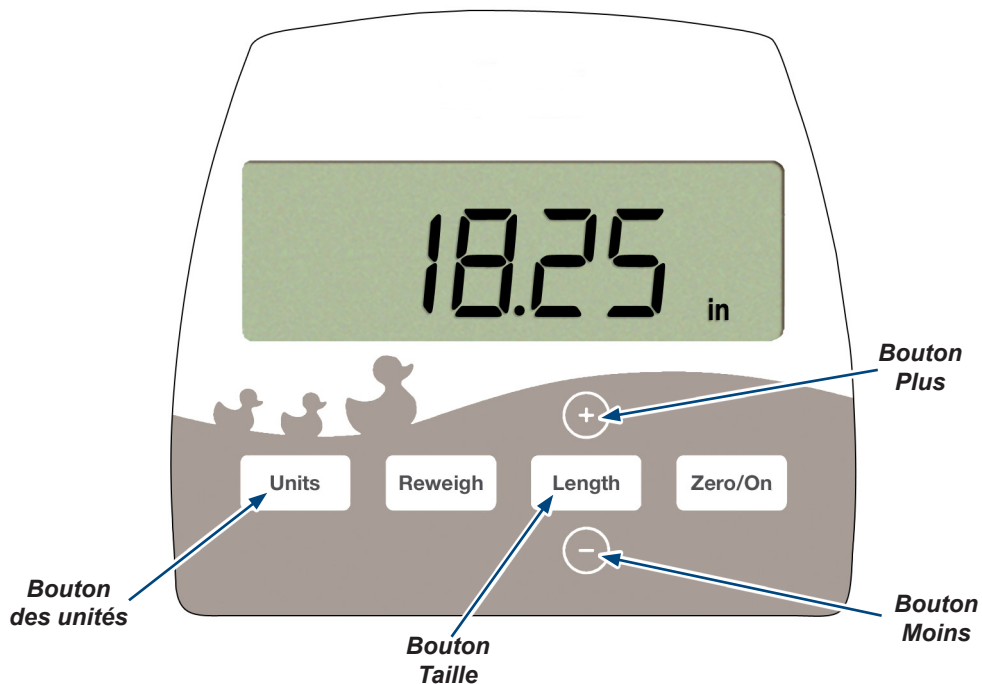
Remarque

Cette fonction est destinée à entrer la taille dans l'affichage de la balance.

Pour afficher la taille d'un patient...

- A) Appuyer brièvement sur le bouton **Length** (taille).
- B) Appuyer sur les boutons **Plus** ou **Moins** (moins) pour modifier l'affichage.

Remarque : sélectionner l'unité de longueur en appuyant sur le bouton **Units** (unités) pour basculer des pouces aux centimètres. Les appuis suivants permettront de basculer entre les modes d'affichage du poids et de l'entrée de la taille. La balance s'éteint si aucun bouton n'est pressé pendant 30 secondes.





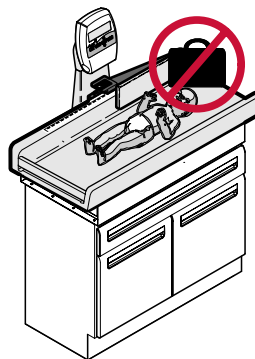
Afin de garantir une pesée correcte du patient, veuillez passer en revue les directives suivantes.

Directives concernant la pesée correcte des patients

Ne pas mettre la balance à zéro alors que le patient est sur la table.



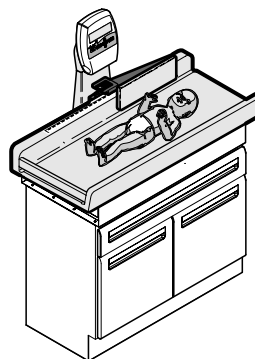
Ne pas peser les patients alors que des objets tels qu'un sac, un manteau, etc. se trouvent sur la table.



Ne pas s'appuyer ou appliquer une charge sur la table au moment de la pesée.



Veiller à ce que le patient se trouve bien au centre de la table et ne saisisse pas la colonne de la balance.

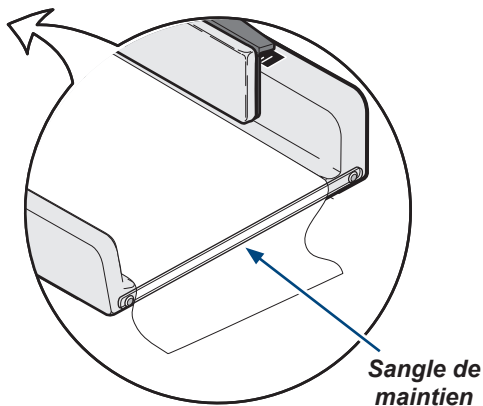
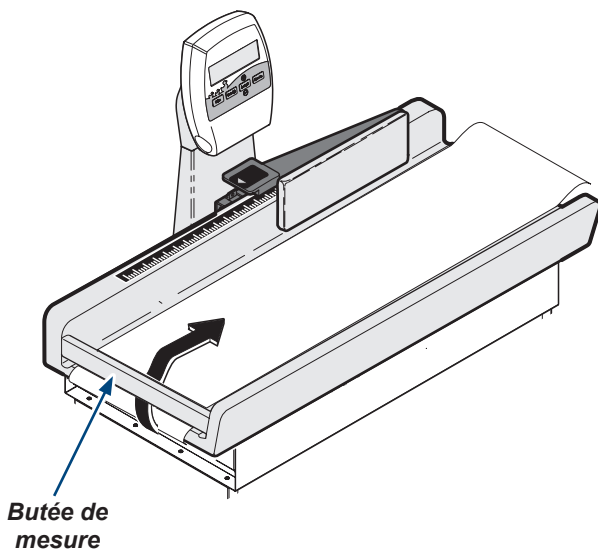
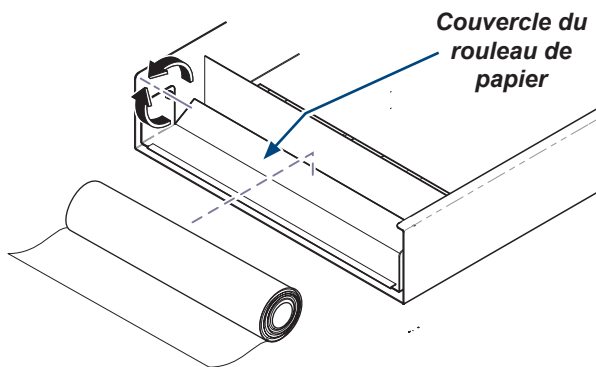


Rouleau de papier

Dimensions du rouleau de papier (max.).....35,6 cm de longueur x 7,6 cm diamètre
(14 po x 3 po)

Pour installer le rouleau de papier...

- A) *Faire pivoter le couvercle du rouleau de papier vers le bas pour ouvrir.*
- B) *Poser le rouleau de papier puis faire pivoter le couvercle vers le haut de façon à ce qu'il reste en place.*
- C) *Introduire le papier sous la butée de mesure et sur le plateau de la table.*
- D) *Introduire le papier sous la sangle de maintien, à l'extrémité opposée de la table.*



Entretien

Service après-vente

Remarque

Vous devez préciser le numéro de modèle/série lorsque vous contactez le service après-vente.

Si une réparation est nécessaire, contactez votre revendeur Midmark agréé.

Si un entretien est nécessaire, contactez Midmark directement :

É.-U. 844.856.1230 / Canada 937.526.8585
Du lundi au jeudi, de 8 h
à 18 h et le vendredi de 8 h à 17 h (HE)

Nettoyage

Garniture



Avertissement relatif à l'équipement

La garniture résiste à la plupart des taches d'origine médicale, mais risque d'être endommagée par les solvants et les teintures. Essuyez immédiatement tout liquide renversé sur la garniture.

Nettoyez la garniture toutes les semaines avec un mélange de savon doux liquide et d'eau. Rincez à l'eau claire et séchez complètement afin d'éliminer les résidus de désinfectant.

Désinfectez la garniture avec une solution à base d'un volume d'eau de Javel ou de produits chlorés pour 10 volumes d'eau (10 %). Puis rincez à l'eau claire et séchez soigneusement. Voir les directives de désinfection et de stérilisation dans les centres de santé des centres pour le contrôle des maladies (CDC).

Pour minimiser les dommages provoqués par les résidus de nettoyants désinfectants, empêchez toute accumulation de désinfectant sur la garniture. Lorsque le temps de réaction reconnu s'est écoulé, ôtez et séchez tout excès de liquide restant sur la surface.

Votre produit est livré avec un manuel détaillé d'utilisation et d'entretien. Vous trouverez également toutes les informations utiles sur midmark.com à la rubrique Bibliothèque technique, au niveau de l'onglet Documents correspondant à votre produit.

Surfaces en métal/en plastique peintes

Nettoyez les surfaces en métal et en plastique peintes toutes les semaines à l'aide d'un chiffon doux propre et d'un détergent doux.

Entretien préventif

Examiner périodiquement les zones suivantes :

- Le/les cordon(s) d'alimentation ne doit/doivent présenter aucune coupure ou autre dommage visible.
- Toutes les fixations doivent être en place et bien attachées.
- Tous les dispositifs mécaniques doivent fonctionner correctement.

Faites vérifier votre équipement chaque année par un technicien qualifié.

Mise à niveau de la table d'examen

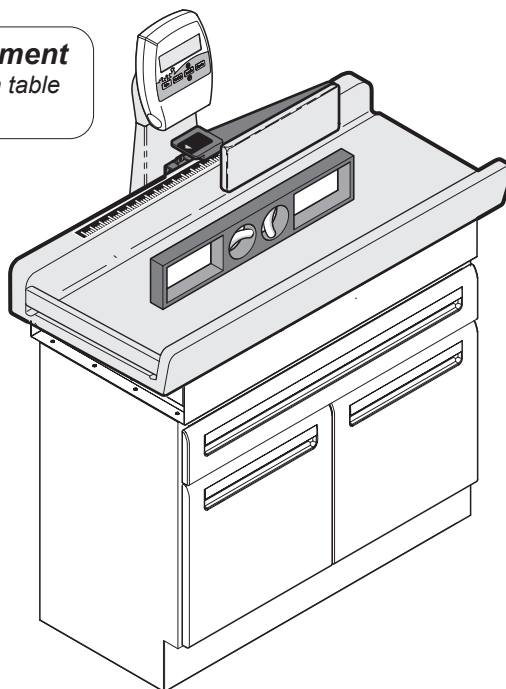


Avertissement relatif à l'équipement

Afin de garantir le bon fonctionnement, la table doit être de niveau.

Pour mettre à niveau la table d'examen...

- A) Placer un niveau sur le plateau de la table d'examen.
- B) Ajuster les pieds de réglage jusqu'à ce que la table soit de niveau.



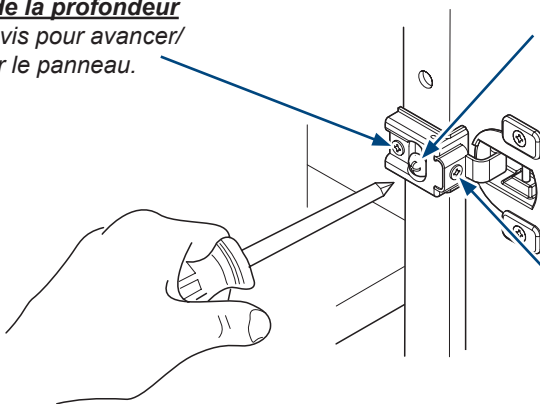
Pieds de réglage

Qté : 4 (situés à chaque angle)

Réglage de la porte

Réglage de la profondeur

Tourner la vis pour avancer/ reculer le panneau.



Réglage vertical

Déserrer la vis des deux charnières.
Déplacer la porte vers le haut/le bas,
puis reserrer les vis.

Réglage horizontal

Tourner cette vis pour déplacer le panneau d'un côté ou de l'autre.

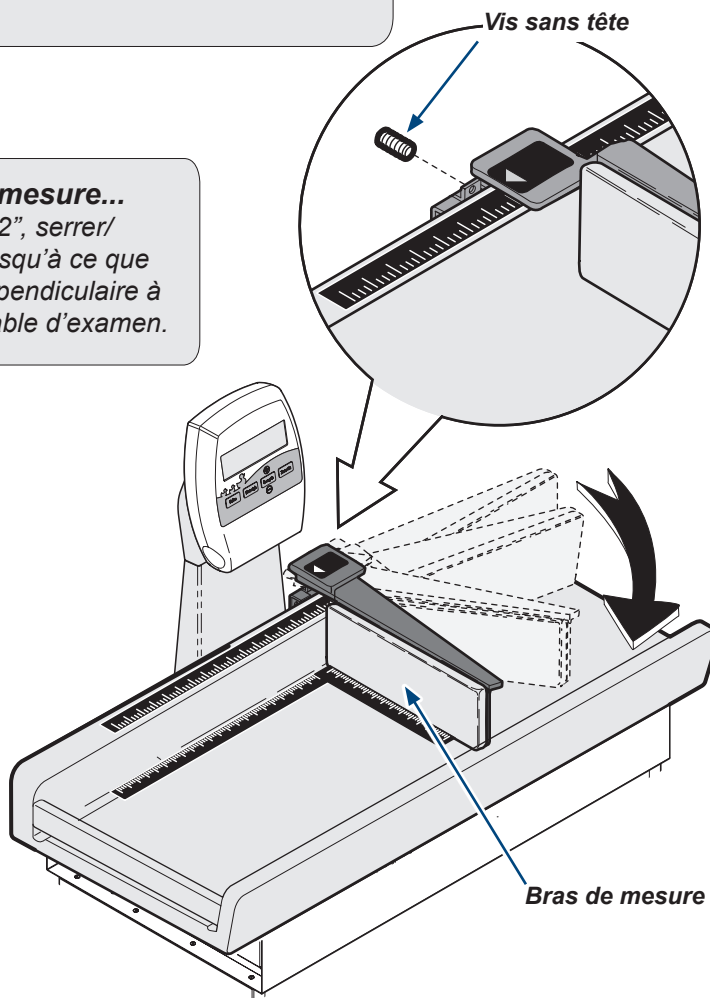
Alignement du bras de mesure

Pour vérifier l'alignement du bras de mesure...

- A) Faire pivoter le bras de mesure comme illustré.
- B) À l'aide d'une équerre de charpentier, vérifier que le bras de mesure est perpendiculaire à l'arrière du plateau de la table d'examen.
- C) Au besoin, régler le bras de façon à ce qu'il soit perpendiculaire.

Pour régler le bras de mesure...

À l'aide d'une clé allen 3/32", serrer/déserrer la vis sans tête jusqu'à ce que le bras de mesure soit perpendiculaire à l'arrière du plateau de la table d'examen.



Caractéristiques techniques

Poids, caractéristiques électriques & informations sur la conformité

Tableau des caractéristiques	
Conformité à la réglementation :	ANSI/AAMI ES 60601-1:2005 CAN/CSA C22.2 NO. 60601-1-08
Poids du patient :	2 kg (4,5 lb) - 18 kg (40 lb)
Rouleau de papier (dimensions maximales)	35,6 cm de long x 7,6 cm de diamètre (14 po x 3 po)
Poids de la table :	77 kg (170 lbs)
Précision de la balance numérique :	+/- 28 g (1,0 oz) pour les poids < 10 kg (22 lbs) +/- 56 g (2,0 oz) pour les poids ≥ 10 kg (22 lbs)
Incréments de la balance numérique :	0,5 oz 0,02 lbs 0,01 kg
Alimentation de l'adaptateur secteur :	Entrée : 100-240VAC, 50-60Hz, 0.1A
Consommation électrique :	10 Watts max.
Écran :	LCD w/ 25 mm. (1 po) à chiffres
Échelle linéaire (bras de mesure) Précision : Incréments minimaux :	±0,5 cm. (1/8 po) 0,5 cm (1/8 po)
Dimensions de la table :	Voir section Dimensions

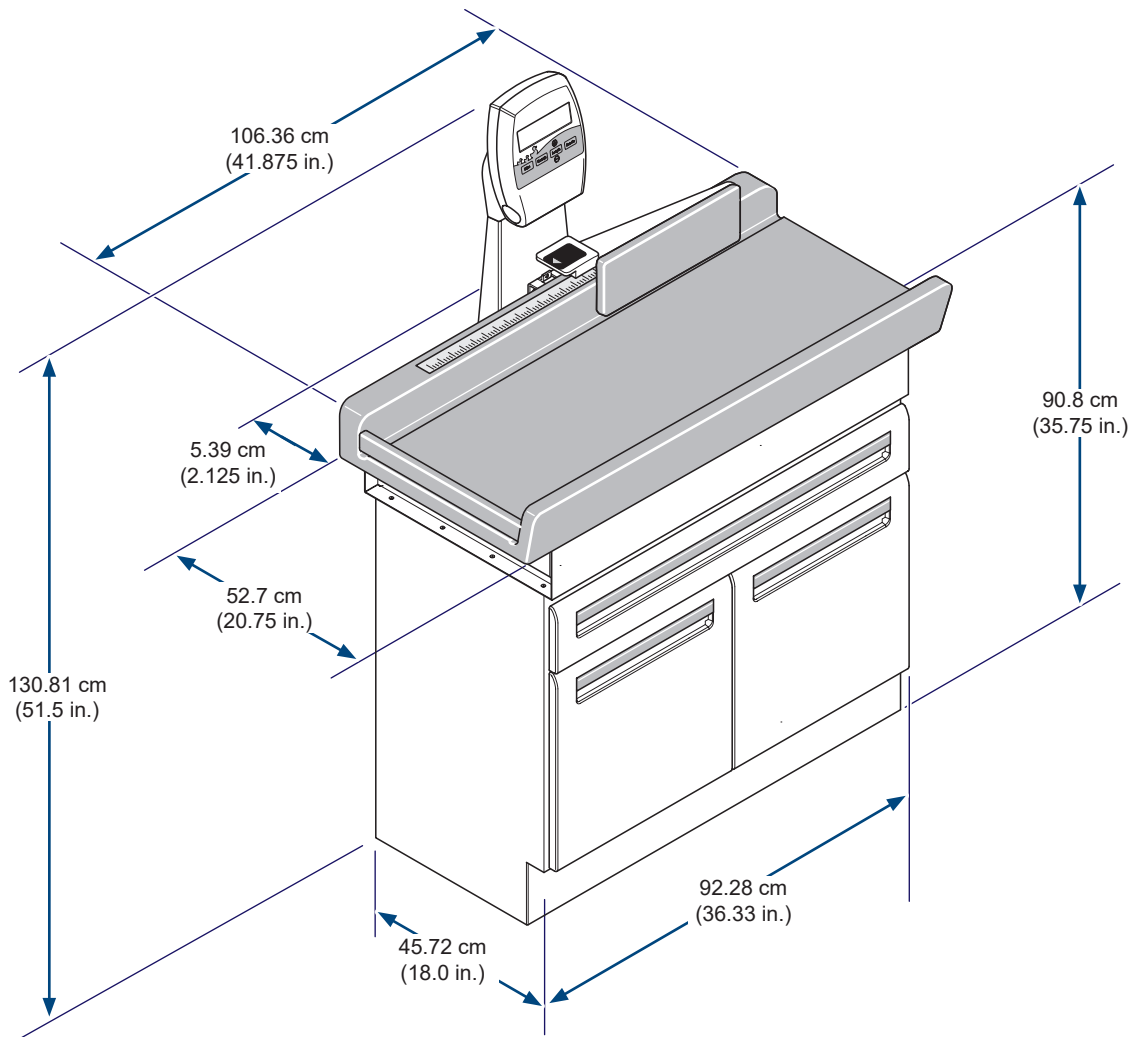


AVERTISSEMENT

Le matériel ne doit pas être utilisé à proximité d'un mélange anesthésique inflammable.

Clarification : cet équipement convient à l'utilisation en présence d'oxygène, d'air ou d'oxyde d'azote.

Dimensions



Garantie limitée de l'équipement médical Midmark® + Ritter® (tables, chaises, tabourets de praticiens, lampes, postes de travail et stérilisateurs) médecins, lampes, postes de travail et stérilisateurs)

CADRE DE GARANTIE Midmark Corporation (« Midmark ») s'engage auprès de l'acquéreur initial à réparer ou à remplacer, au gré de Midmark, les produits médicaux locaux et internationaux fabriqués par Midmark (hormis les composants non garantis en vertu des « Exclusions ») qui sont défectueux au niveau du matériel ou de la qualité d'exécution dans des conditions normales d'utilisation et de service. Le seul recours admissible aux termes de la présente garantie limitée est la réparation ou le remplacement des composants concernés, au gré de Midmark. La présente garantie limitée ne s'applique qu'aux défauts signalés à Midmark durant la période de garantie applicable et dont Midmark détermine après examen qu'ils existent. La présente garantie s'étend au seul acquéreur initial d'un produit et n'est ni transférable, ni cessible. Des composants ou produits de remplacement peuvent être utilisés, ou encore des composants ou produits rénovés, à condition qu'ils présentent une qualité et des spécifications identiques à celles des composants ou produits neufs.

Midmark s'engage auprès de l'acquéreur initial à réparer ou remplacer les logiciels contenus dans les produits fabriqués par Midmark (hormis ceux non garantis en vertu des « Exclusions ») pendant la période de garantie applicable si : (1) le support sur lequel le logiciel est fourni présente des défauts matériels ou d'exécution dans des conditions normales d'utilisation ; ou (2) le logiciel n'est pas fondamentalement conforme aux spécifications annoncées.

PÉRIODE DE GARANTIE APPLICABLE La période de garantie applicable est d'un (1) an pour tous les produits et composants couverts par la garantie, à compter de la date de facturation à l'acheteur au détail initial du produit. Les nettoyeurs à ultrasons QuickClean® sont garantis pour une période de trois (3) ans.

OBTENTION DU SERVICE DE GARANTIE Le service de garantie doit être mis en œuvre par Midmark ou un distributeur agréé de la ligne de produits de Midmark pour laquelle le service de garantie est requis. Les demandes ou questions liées au service de garantie Midmark peuvent être adressées par courrier électronique sur midmark.com ou par téléphone au +1.937.526.3662 ou par courrier à Midmark Corporation, 60 Vista Drive, Versailles, Ohio 45380. L'acquéreur a l'obligation de prendre ses dispositions auprès de Midmark ou de tout revendeur agréé pour mettre en place un service de garantie, service qui est à la charge de l'acquéreur. L'acquéreur est également dans l'obligation de se conformer aux instructions du service de garantie fourni par Midmark ou son distributeur agréé. L'acquéreur doit fournir à Midmark les renseignements relatifs à l'enregistrement de la garantie dans les trente (30) jours consécutifs à l'achat afin de pouvoir jouir de la garantie.

EXCLUSIONS : Midmark ne peut être tenu pour responsable des cas suivants, qui ne sont pas couverts par la garantie limitée :

- (1) les malfaçons, dommages ou autres conditions provoquées, en tout ou en partie, par une utilisation abusive ou incorrecte, une négligence, une modification, un accident, des dommages subis pendant le transport, une négligence dans l'entreposage, une altération ou une demande de réparation ou de remplacement hors délais ;
- (2) les produits qui ne sont pas installés, utilisés, nettoyés et entretenus correctement tel qu'exigé ou recommandé dans les guides « Installation » ou « Installation/Fonctionnement » de Midmark pour le produit concerné, y compris les conditions environnementales structurelles et opérationnelles et les exigences électriques ;
- (3) les produits considérés comme étant de nature consommable ou stérile ;
- (4) les accessoires ou pièces n'étant pas fabriqués par Midmark ;
- (5) les frais appliqués par quiconque pour des réglages, des réparations, des pièces de remplacement, l'installation ou toute autre tâche accomplie sur ou en rapport avec lesdits produits, qui ne sont pas expressément autorisés au préalable et par écrit par Midmark ;
- (6) les frais d'entretien et de nettoyage ordinaires ; et
- (7) les représentations et garanties données par toute autre personne ou entité que Midmark.
- (8) la correspondance de couleur, de grain ou de texture, hormis selon les normes commerciales acceptables ;
- (9) les changements de couleur causés par la lumière naturelle ou artificielle ;
- (10) les produits de fabrication sur mesure ;
- (11) les altérations ou modifications au produit par toute personne ou entité autre que Midmark ; et
- (12) les produits qui seraient sinon couverts par cette garantie limitée, mais qui ont été acquis : (i) auprès d'une personne ou d'un organisme autre que Midmark ou l'un de ses revendeurs agréés ; ou (ii) auprès d'un revendeur Midmark non autorisé à vendre le produit en cause sur le territoire géographique où se trouve l'acheteur ou non autorisé à vendre le produit en cause sur le marché médical.

LOGICIEL ; EN LIEN AVEC UN LOGICIEL QUI EST UN PRODUIT OU UN COMPOSANT D'UN PRODUIT, MIDMARK NE GARANTIT PAS QUE LE LOGICIEL : (1) EST EXEMPT D'ERREURS ; (2) PEUT ÊTRE UTILISÉ SANS PROBLÈME OU INTERRUPTION ; OU (3) EST EXEMPT DE VULNÉRABILITÉS AUX INTRUSIONS OU ATTAQUES DE VIRUS OU AUTRES PROCÉDÉS.

RECOURS EXCLUSIF ; AVIS DE NON-RESPONSABILITÉ POUR LES DOMMAGES INDIRECTS ; L'UNIQUE OBLIGATION DE MIDMARK DANS LE CADRE DE CETTE GARANTIE LIMITÉE EST LA RÉPARATION OU LE REMPLACEMENT DES PIÈCES DÉFECTUEUSES. MIDMARK NE PEUT ÊTRE TENU POUR RESPONSABLE ET DÉCLINE PAR LA PRÉSENTE TOUTE RESPONSABILITÉ POUR TOUT RETARD OU DOMMAGE DIRECT, PARTICULIER, INDIRECT, ACCIDENTEL, EXEMPLAIRE OU CONSÉCUTIF, Y COMPRIS, SANS S'Y LIMITER, LES DOMMAGES RELATIFS À UNE PERTE DE BÉNÉFICE OU DE REVENU, UNE PERTE D'USAGE, UNE PERTE DE DONNÉES, UN TEMPS D'INDISPONIBILITÉ, UNE COUVERTURE ET LES SALAIRES, PAIEMENTS ET AVANTAGES SOCIAUX D'EMPLOYÉS OU D'ENTREPRENEURS INDÉPENDANTS. CETTE EXCLUSION SURVIVRA À TOUT MANQUEMENT OU MANQUEMENT ALLÉGUÉ AU BUT ESSENTIEL DE CETTE GARANTIE LIMITÉE OU À SES RECOURS PRÉVUS. EXCLUSION DE GARANTIE : CETTE GARANTIE EST LA SEULE GARANTIE DE MIDMARK ET REMPLACE TOUTES LES AUTRES GARANTIES EXPLICITES OU IMPLICITES. MIDMARK N'ACCORDE AUCUNE GARANTIE IMPLICITE D'AUCUNE SORTE, Y COMPRIS LES GARANTIES IMPLICITES DE COMMERCIALISATION OU D'ADAPTATION POUR UNE UTILISATION PARTICULIÈRE. CETTE GARANTIE EST LIMITÉE À LA RÉPARATION OU AU REMPLACEMENT DE PIÈCES DÉFECTUEUSES.

PRESCRIPTION Aucune action ne peut être portée contre Midmark pour violation de la présente garantie limitée, d'une garantie implicite, le cas échéant, ou pour toute autre revendication découlant de ou relative aux produits, plus de quatre-vingt-dix (90) jours après expiration de la période de garantie limitée.

AUCUNE AUTORISATION Aucune personne ou société n'est autorisée à créer ou approuver d'autres obligations ou responsabilités pour Midmark en rapport avec les produits.

003-2583-99

Français - 24

TP202 20-42-FO-00014 Rev A1 C2169 © Midmark Corporation 2015

Midmark Corporation

60 Vista Drive

Versailles, OH 45380 États-Unis

1.800.643.6275

+1.937.526.3662

midmark.com

