



# Synthesis<sup>®</sup> Cabinetry



## User Guide



003-2812-00 Rev. FB1 (1/15/25)

# Product Information

**Dealer :**

**Date of Purchase:**

**Model / Serial Number:**

**Midmark Authorized Service Company:**

## Product Information

### Step 1. Configuration

□□## ##" □□□□ □□□□□□ □□□□ □□□□□□

### Step 2. Width

## ##" □□□□

## ##" □□□□

### Step 3. Depth

## ##" □□□□

### Step 4. Panel Style

□ □□□□

□ □□□□□□□

□ □□□□□

□ □□□□□□□

□ □□□□□□□

### Step 5. Cabinet Finish

□ □□□□□ □□

□ □□□□□

□ □□□□□□□□□

### Step 6. Lock

# □□□□

□ □□□□□□□ □□□□□□ □ □□□□□

### Step 7. Handle Finish \*available finishes on Flat, Shaker, & Raised Panels

□ □□□□□□□ □□□□□□

□ □□□□□□□□□ □□□□□□

□ □□□□

### Step 8. Caster Style

□ # " □□□□ □□□□ □□□□□□□□

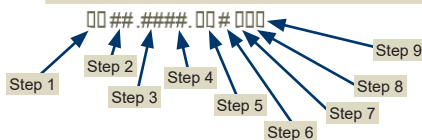
□ # " □□□□ □□□□ □□□□□□□□

### Step 9. Top Style

□ □□□□□ □□ □□□□□□□□□□

□ □□□□□ □□ □□□□□□□□

### Example



Product Information Key: # symbols are Numbers

□ symbols are Letters

# Table of Contents

## **Important Information**

Product Information.....	2
Safety Symbols.....	4
Product Registration .....	4
Transportation / Storage Conditions .....	4

## **Operation**

Intended Use.....	5
Safety Instructions.....	5
Operating Environment.....	5
Disposal of Equipment.....	5

## **Maintenance**

Cleaning and Maintenance .....	6
--------------------------------	---

## **Hanging Cabinetry**

Caution, Shelf & Bin Installation.....	7
--	---

## **Mobile Carts**

Weight Tolerance.....	8
Procedure Cart Relocating Storage Bin & Hanging Bracket .....	9
Securing Loose Items & Locking Cart Wheels .....	10
Linen and Waste Receptacle.....	11

## **Install/ Adjustments**

Removal / Installation of Drawers .....	12
Installing Door, Handles and Shelves.....	13
90° Corner Shelf.....	14
45° Corner Shelf.....	15
Door Adjustment.....	16 - 17
Split Overhead Panel Cover Removal .....	17

## **Limited Warranty**

Warranty .....	18
----------------	----

# Important Information

## Safety Symbols



### **WARNING**

*Indicates a potentially hazardous situation which could result in serious injury.*



### **Caution**

*Indicates a potentially hazardous situation which may result in minor or moderate injury. It may also be used to alert against unsafe practices*



### **Equipment Alert**

*Indicates a potentially hazardous situation which could result in equipment damage.*

## Product Registration

To register your product, go to [www.midmark.com](http://www.midmark.com)

## Transportation / Storage Conditions

Ambient Temperature Range:..... 50°F to 104°F (+10°C to +40°C)  
Relative Humidity..... 10% to 90% (non-condensing)  
Atmospheric Pressure ..... 700hPa (20 in.Hg) to 1060hPa (31 in.Hg)

## Intended Use

The intended use of the Synthesis® Medical Cabinetry product line is to provide health care professionals with a cabinetry system that meets all of their design, aesthetic, and storage needs.

## Safety Instructions

The primary concern of Midmark is that this equipment is operated and maintained with the safety of the patient and staff in mind. To assure safer and more reliable operation

- Read and understand this manual before attempting to operate the unit.
- Assure that appropriate personnel are informed on the contents of this manual; this is the responsibility of the purchaser.
- Assure that this manual is located near the unit.

## Operating Environment

Ambient Temperature Range; .... +68°F to 104°F (+20°C to 40°C)

Relative Humidity: ..... less than 80%(non-condensing)

- Approved for indoor use only.

## Disposal of Equipment

At the end of product life, the cabinetry, accessories, and other consumable goods may become contaminated from normal use. Consult local codes and ordinances for proper disposal of equipment, and other consumable goods.



### **WARNING**

***Equipment is not suitable for use in the presence of a flammable anesthetic mixture with oxygen, air, or nitrous oxide.***

***Clarification: Equipment is suitable for use in the presence of oxygen, air, or nitrous oxide.***



### **WARNING**

***This product can expose you to chemicals including Nickel (Metallic), which is known to the state of California to cause cancer.***

***For more information go to [www.p65warnings.ca.gov](http://www.p65warnings.ca.gov)***

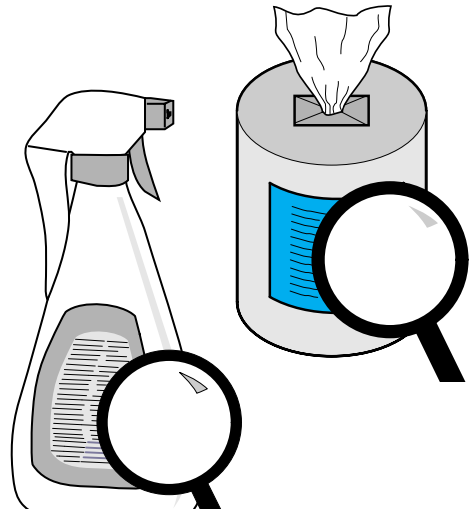
## Cleaning / Maintenance (Disinfecting)

Spot cleaning	Wash cabinetry weekly with a mild soap and water rinse with clear water and dry completely to remove disinfection cleaner build-up.
Difficult stains	Wash cabinetry with a mild solvent.
Disinfecting	Disinfect cabinetry with a solution of standard bleach and water mixed 1 in 10 (10%) or chlorine based cleaners. Follow this with a clear water rinse and thorough drying of material. See current CDC Guideline for Disinfection & Sterilization in Healthcare Facilities.

Detailed care and maintenance instructions are included with your product. This information is also available on [www.midmark.com](http://www.midmark.com) in the Technical library under the User Information tab for your product.

### **When using a disinfectant:**

- Carefully read the product label and directions for use.
- Do not exceed the dilution rate.



### **WARNING**

***If a surface has been contaminated, it will need to be cleaned and disinfected using the techniques described in this manual and EPA-registered hospital disinfectants.***

## **Painted Metal / Plastic Surfaces**

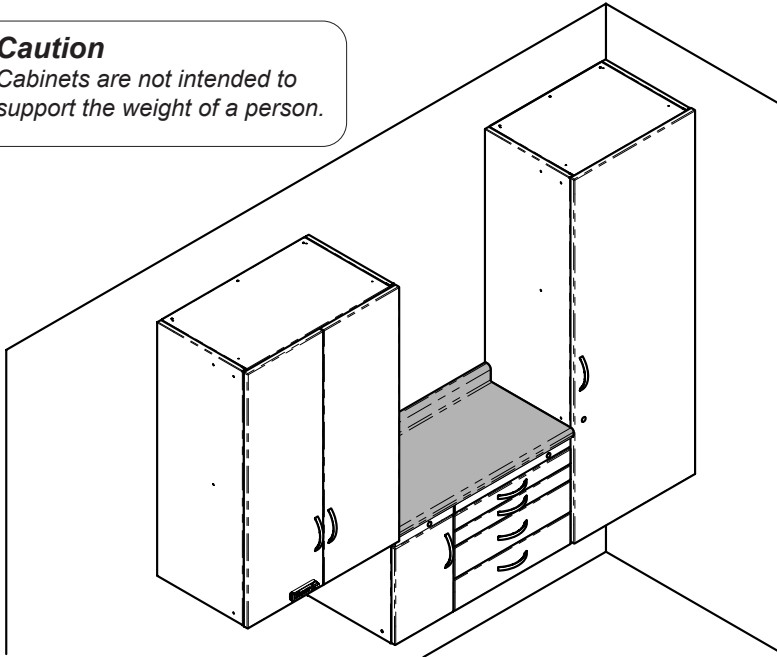
Clean the painted metal and plastic surfaces weekly using a clean soft cloth, and mild cleaner.

# Hanging Cabinetry

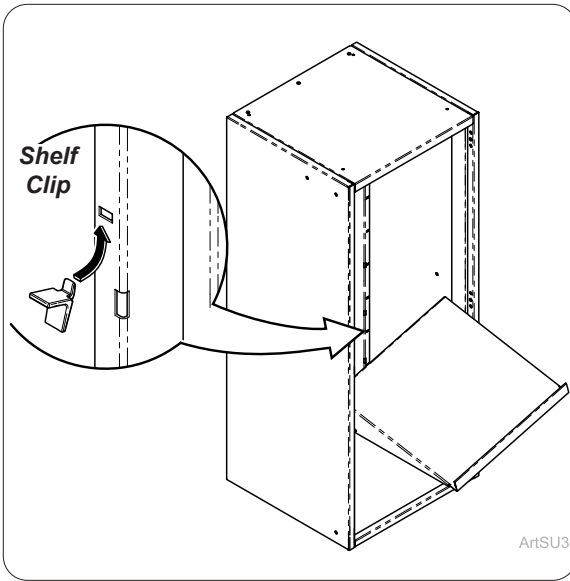


## Caution

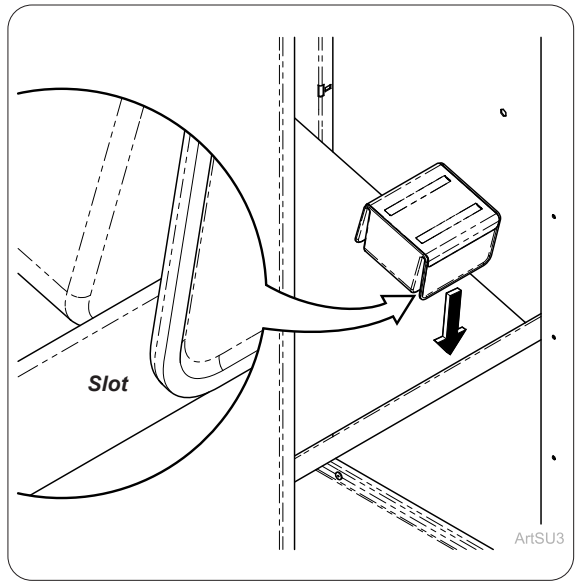
Cabinets are not intended to support the weight of a person.



ArtFull



ArtSU3



ArtSU3

## Installing Shelf and Clips

Install shelf clips and slide shelf into cabinet.

## Installing Storage Bin

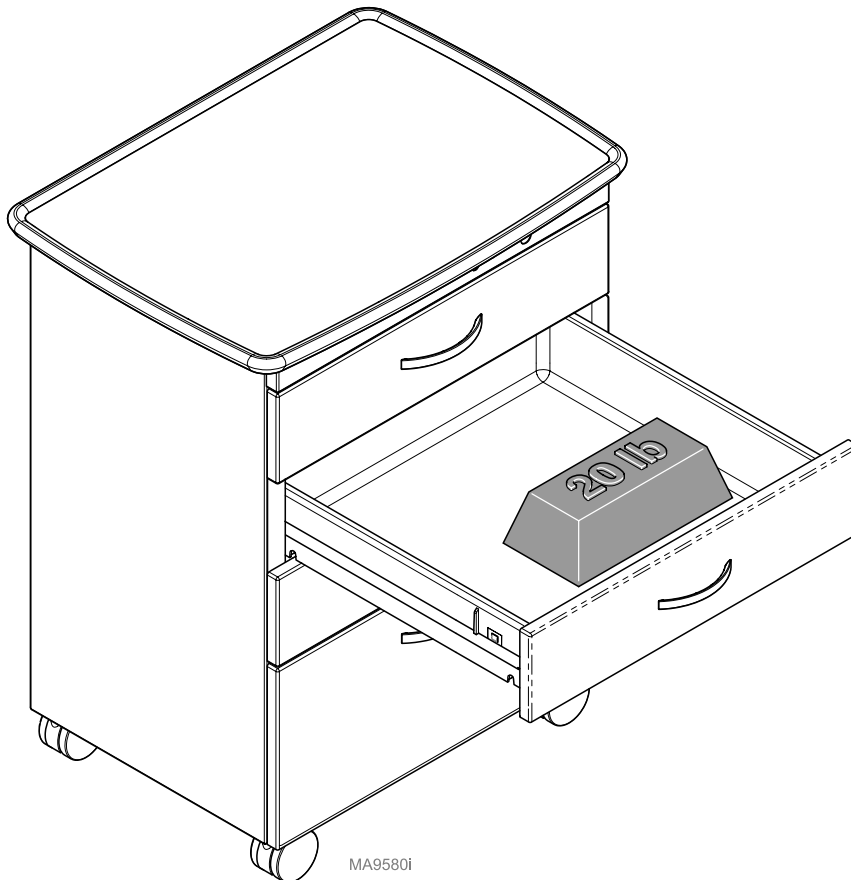
Place Storage bin onto shelf using slot in bin to keep in place on shelf.

# Mobile Carts - 27", 31", & 33"

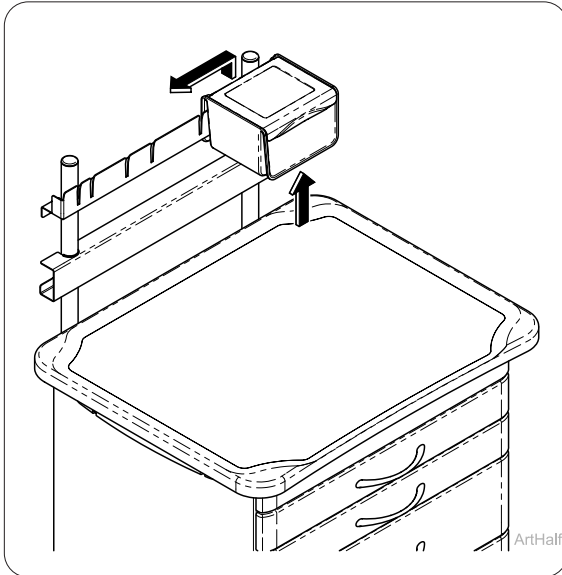


## **Equipment Alert**

*The max load for pull-out drawer for Mobile Carts is 20lbs. Loading drawer with more than 20lbs. may cause tipping.*

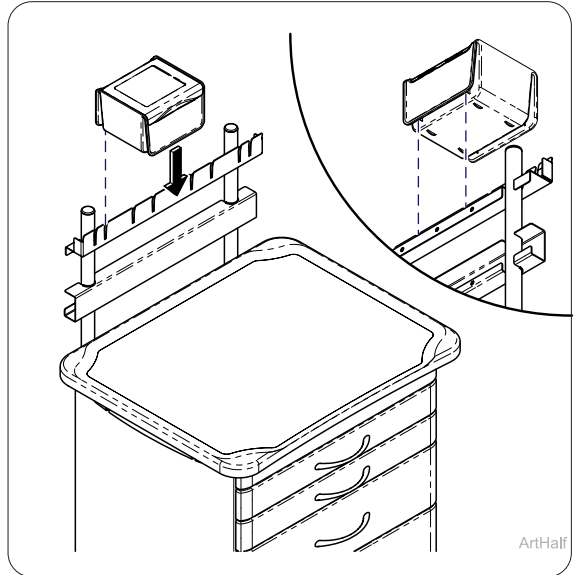


# Procedure Carts - Relocating Bin & Bracket



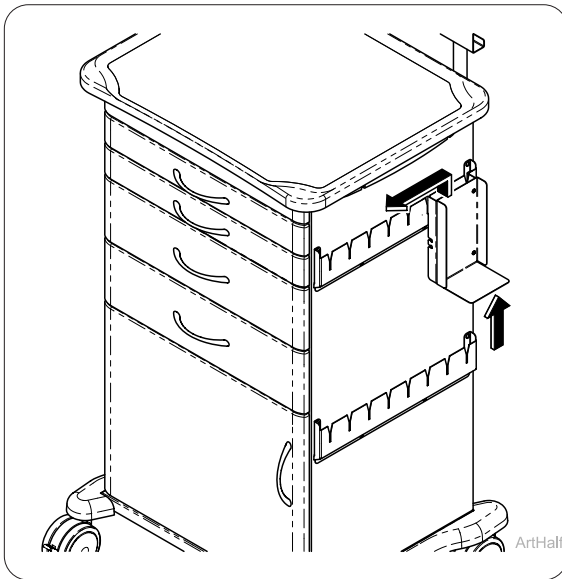
## Moving Storage Bin

Lift bin and move in direction desired.



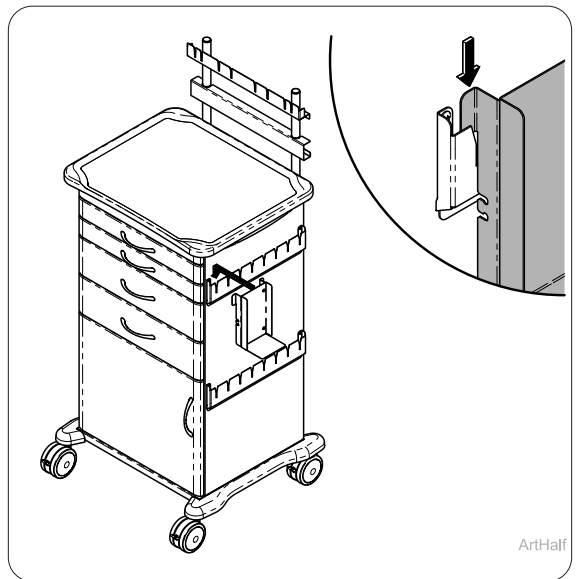
## Install Storage Bin

Align tabs on bin with slots on back rail and place onto back rail.



## Moving Hanging Bracket

Lift hanger bracket and move in direction desired.

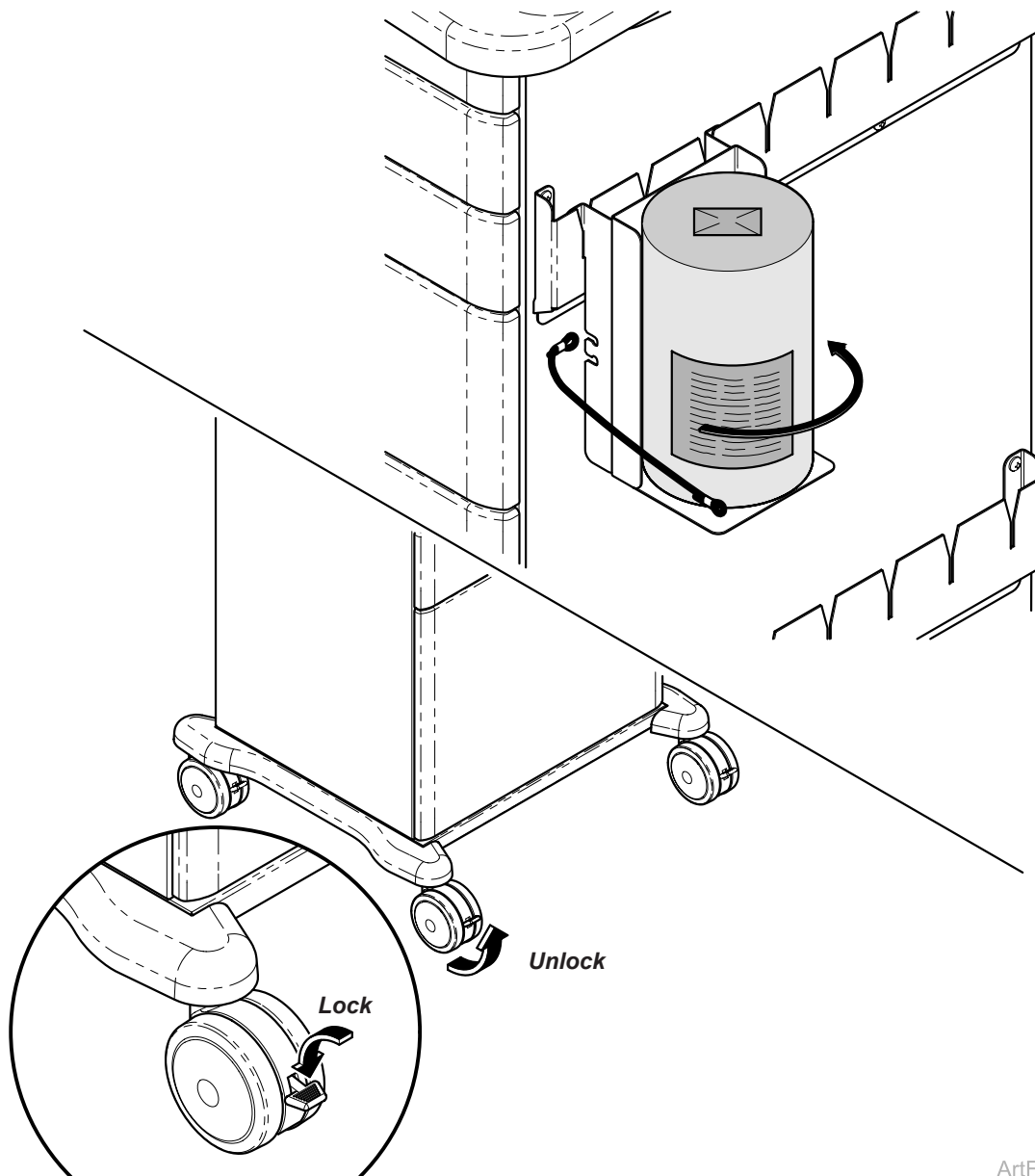


## Installing Hanging Bracket

Install hanging bracket onto side rail.

# Procedure Carts - Loose Items

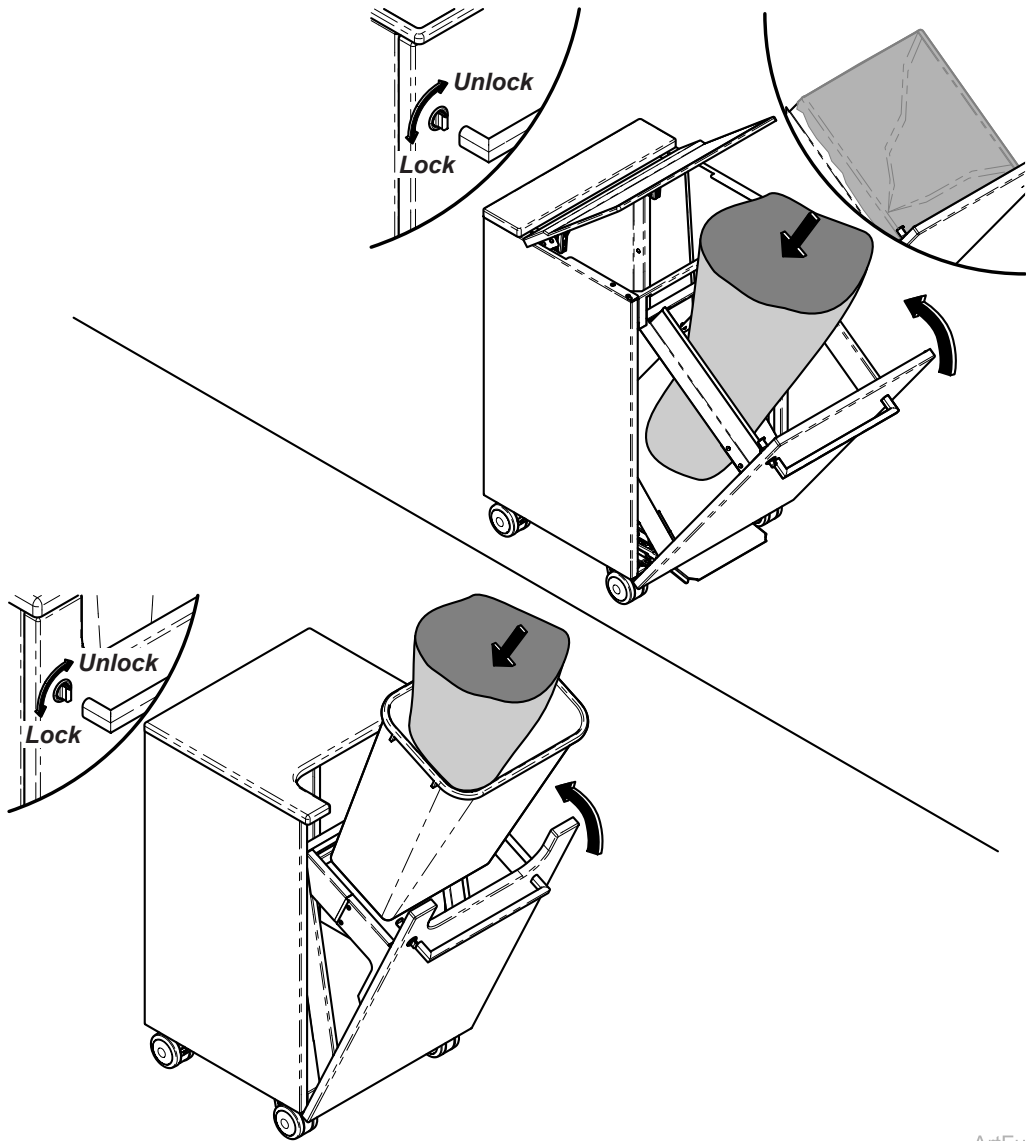
Use bungee cord to secure loose items onto hanging brackets. Cart movement locking wheels to prevent and unlocking to allow movement.



ArtFull

# Linen and Waste Receptacle

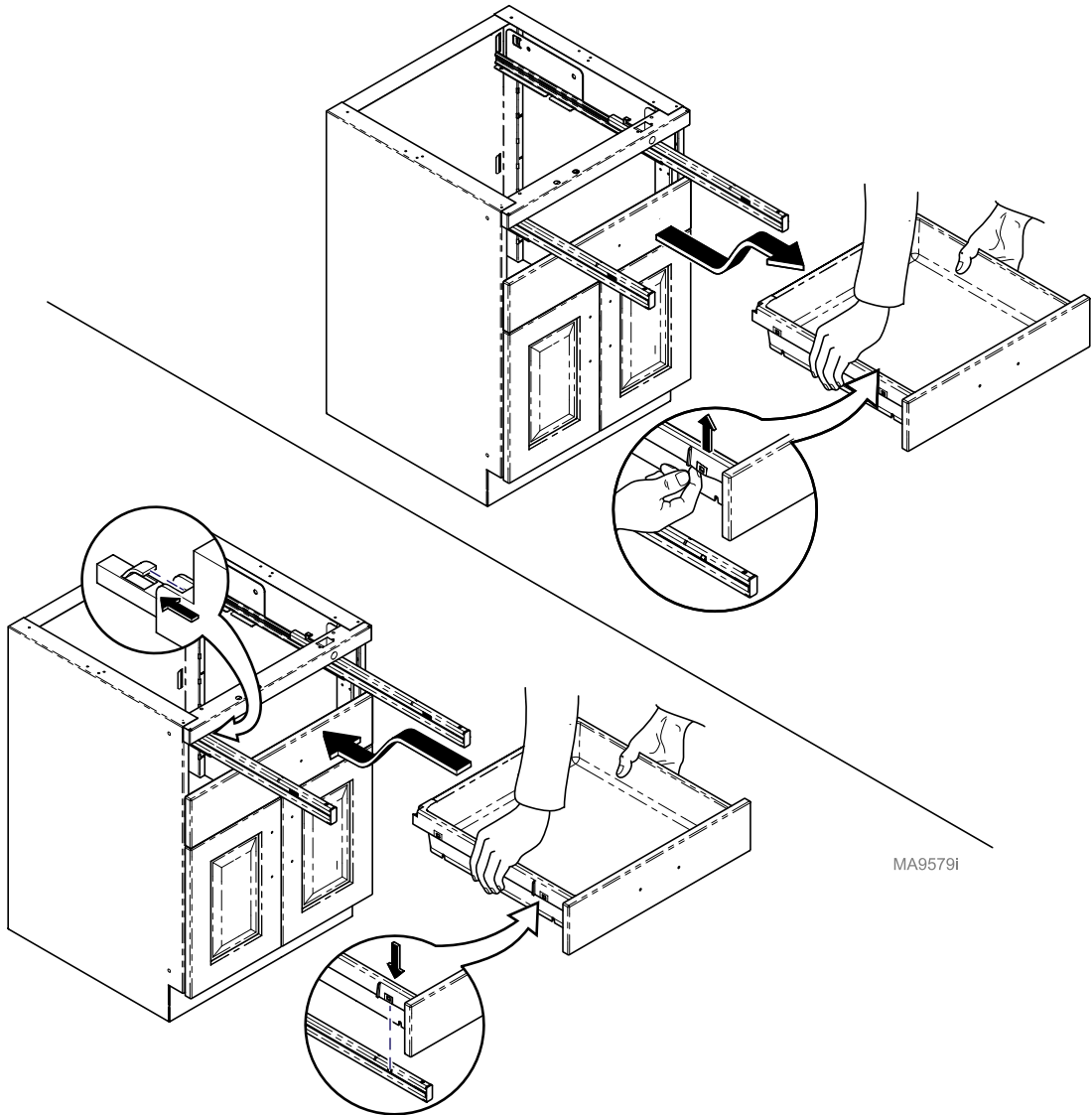
Place linen bag into cart and secure around tabs. Place trash bag into waste receptacle. Close door and turn thumb knob to latch door.



ArtFull

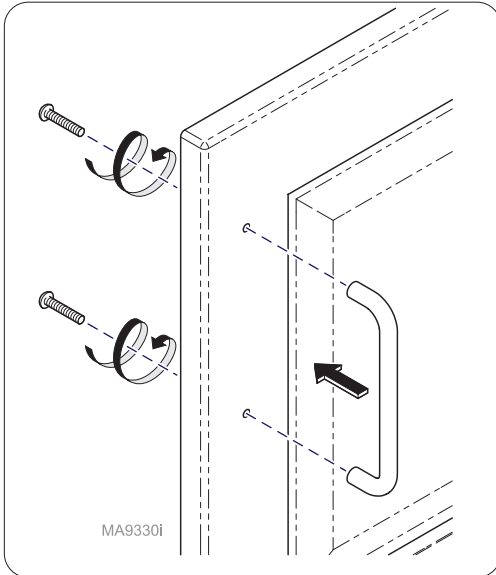
# Removal / Installation of Drawers

To easily clean or remove liquids from drawer simply remove drawers by pulling on sides of drawer to release tabs.

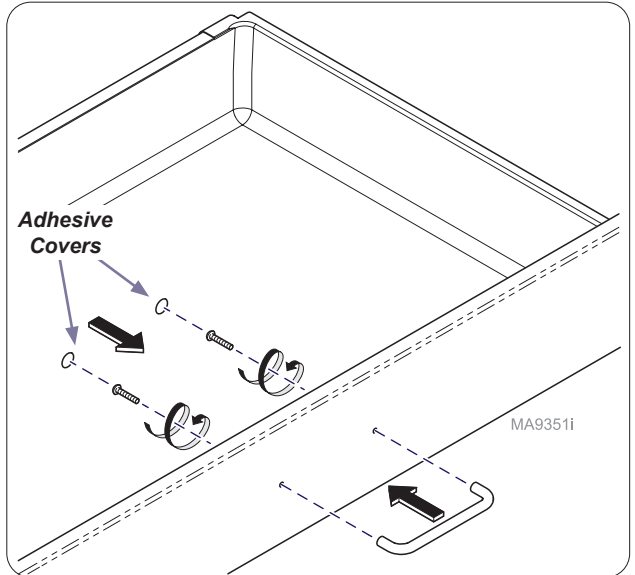


MA9579i

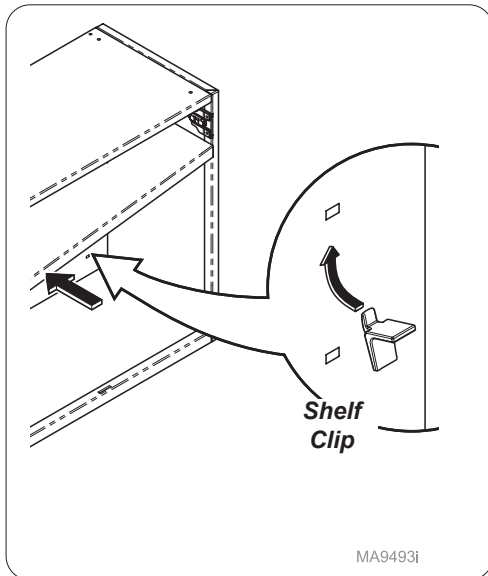
# Installing Door, Handles and Shelves



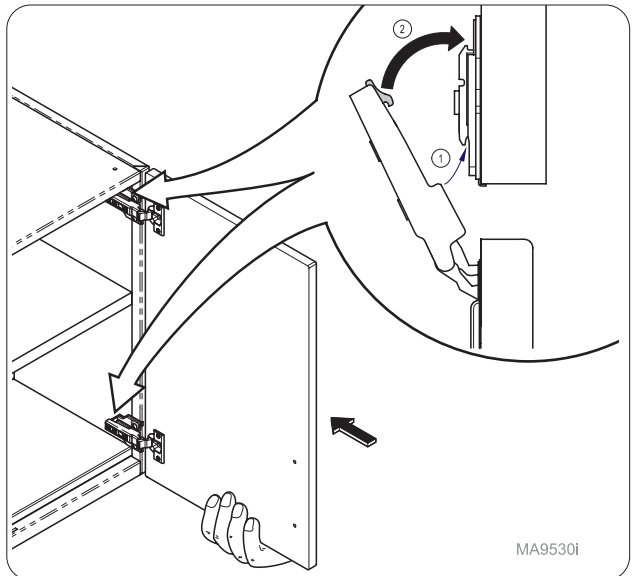
**Installing Handles (If applicable)**  
Install door handle using hardware supplied.



**Installing Handles (If applicable)**  
Install drawer handle using hardware supplied. Place adhesive covers over screw heads.

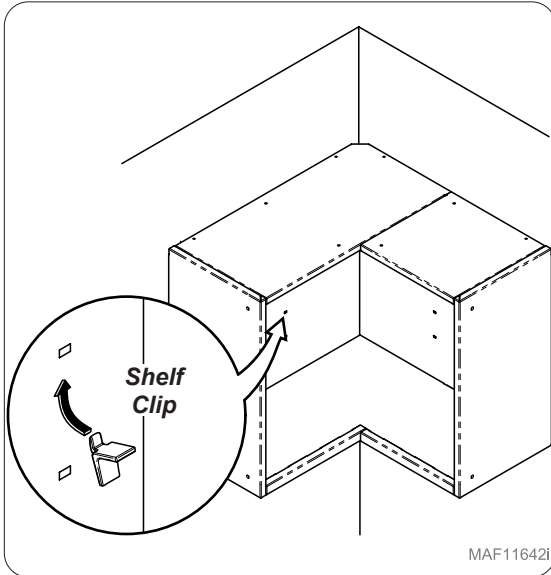


**Installing Shelf Clips & Shelf**  
Tilt shelf to fit into cabinet as shown. Install shelf clips and place shelf on top of clips.

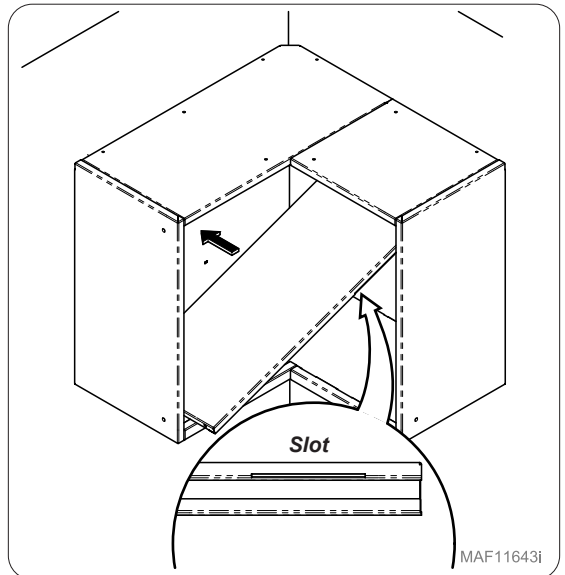


**Installing Doors**  
Install doors as shown.

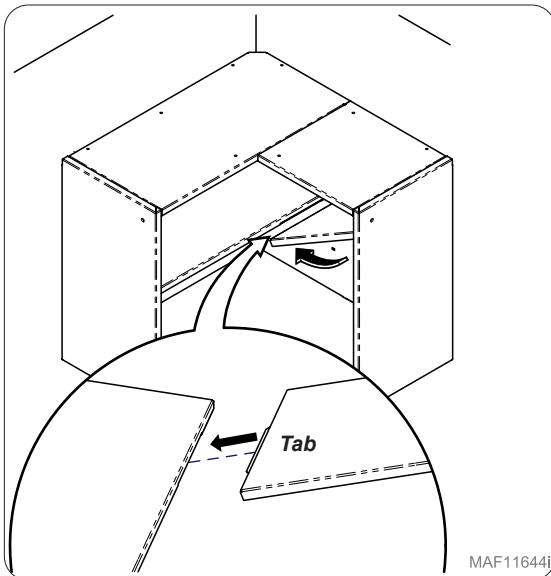
# 90° Corner Shelf Installation



**Installing Shelf Clips for 90°**  
Install shelf clips and place shelf on top of clips.

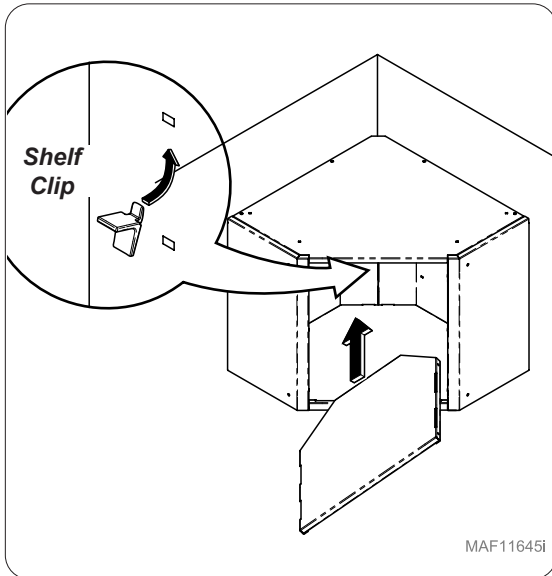


**Installing Corner Shelving w/ Slot 90°**  
Install corner shelf with slot onto shelf clips. Slot needs to face open end of overhead.

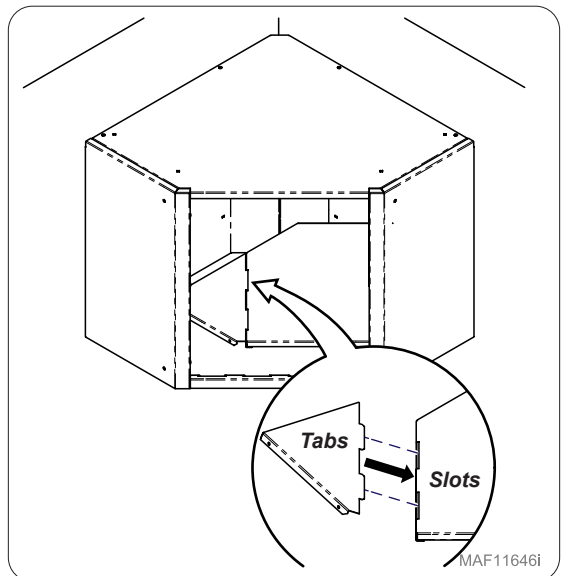


**Installing Corner Shelving w/ Tab 90°**  
Slide tab into bottom slot in other shelf and place onto shelf clips.

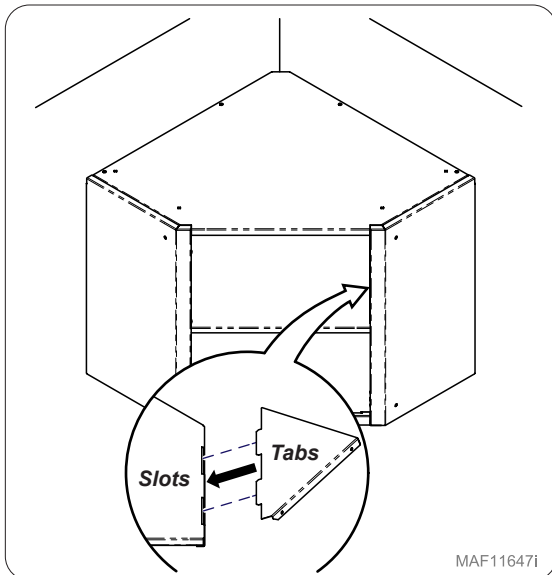
# 45° Corner Shelf Installation



**Installing Shelf Clips for 45°**  
Install shelf clips and slide center shelf into overhead.

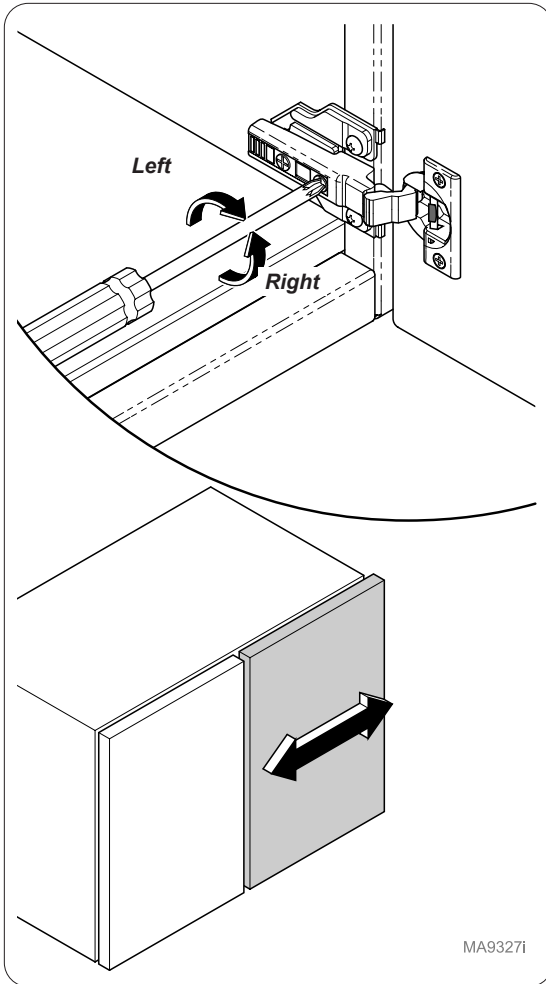


**Installing LH Corner Shelving 45°**  
Assemble left hand corner shelf tabs into slots of center shelf inside cabinet and place on shelf clips.



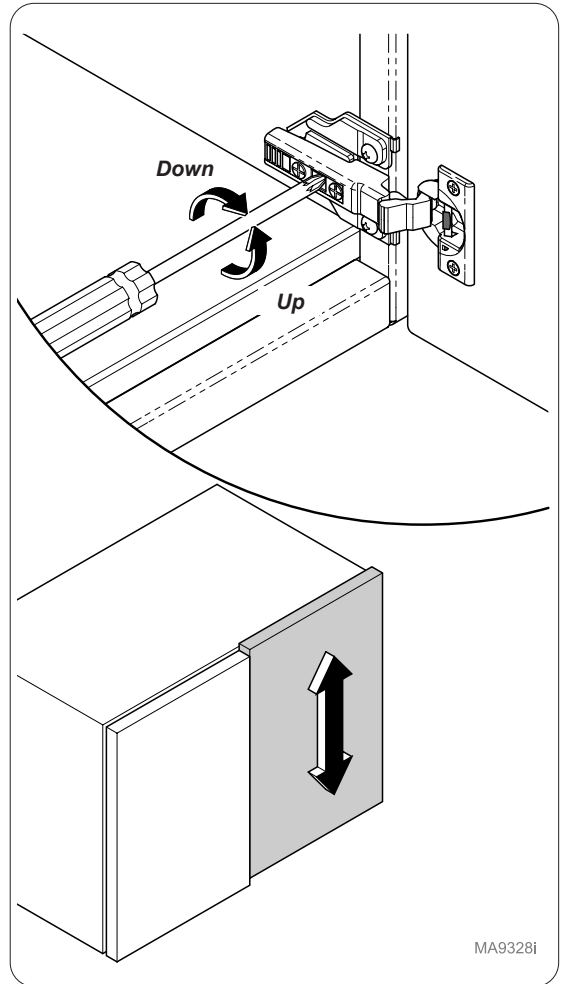
**Installing RH Corner Shelving 45°**  
Assemble right hand corner shelf tabs into slots of center shelf inside cabinet and place on shelf clips.

# Door Adjustment



## Door Adjustment Side to Side

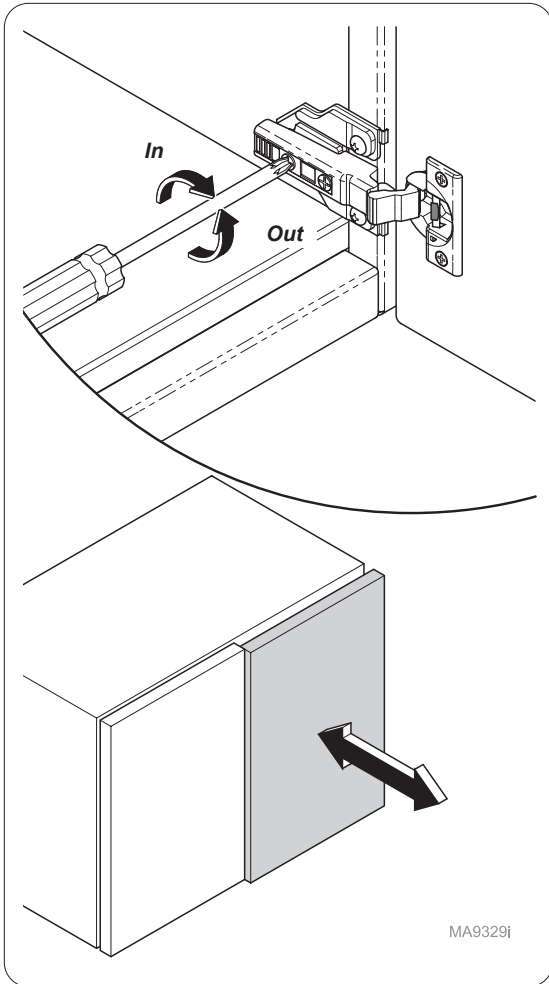
Turn screw located closest to door to increase or decrease the door overlay side to side (+ or - 2 mm).



## Door Adjustment Up and Down

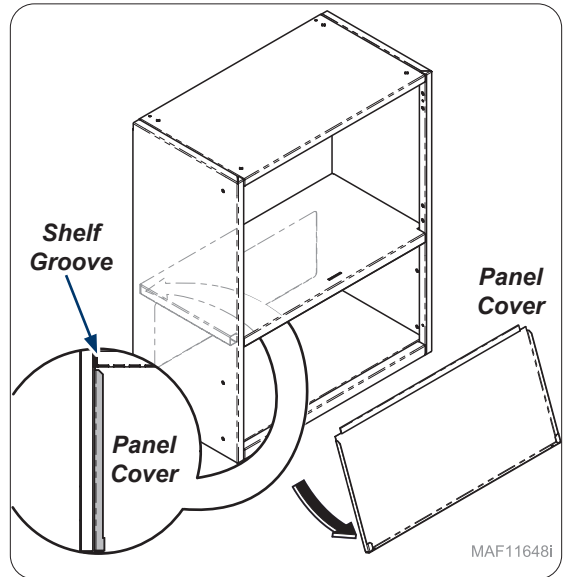
Turn cam screw located in center of mounting plate to adjust door position up or down (+ or - 2 mm).

# Door Adjustment and Split Panel Cover Removal



## **Door Adjustment Away or Closer**

Turn Spiral Tech cam screw located furthest from door to position the door farther from or closer to cabinet (+3 mm or -2 mm).



## **Split Overhead Panel Cover:**

Pull bottom of panel cover out and pull down on panel so panel releases from groove in back of shelf of split overhead.

## Warranty Information



## Warranty Registration



**Notes:**

**Midmark Corporation**

60 Vista Drive

Versailles, OH 45380 USA

1-800-643-6275

1-937-526-3662

[www.midmark.com](http://www.midmark.com)

003-2812-00  
TP202 Rev. A

